

US00D966515S

(12) **United States Design Patent**
Choi

(10) **Patent No.:** **US D966,515 S**
(45) **Date of Patent:** **** Oct. 11, 2022**

(54) **LASER LANCING DEVICE**

FOREIGN PATENT DOCUMENTS

(71) Applicant: **Lameditech Co., Ltd.**, Seoul (KR)

KR 301054688.0000 * 3/2019

(72) Inventor: **Jong Seok Choi**, Incheon (KR)

OTHER PUBLICATIONS

(73) Assignee: **LAMEDITECH CO., LTD.**, Seoul (KR)

HandyRay-Lite(LMT-1000), lameditech.com, [online], [site visited Nov. 23, 2021], Available from internet URL: https://www.lameditech.com/html/dh/prod_lmt1000 (Year: 2021).*

(**) Term: **15 Years**

(Continued)

(21) Appl. No.: **29/759,589**

Primary Examiner — Samantha Q Lawrence

(22) Filed: **Nov. 24, 2020**

Assistant Examiner — Holly M Rodriguez

(30) **Foreign Application Priority Data**

(74) *Attorney, Agent, or Firm* — Hamre, Schumann, Mueller & Larson, P.C.

Nov. 20, 2020 (KR) 30-2020-0056455

(51) **LOC (13) Cl.** **24-02**

(57) **CLAIM**

(52) **U.S. Cl.**

The ornamental design for a laser lancing device, as shown and described.

USPC **D24/146**

(58) **Field of Classification Search**

DESCRIPTION

USPC D28/56, 57, 59, 62, 44, 7, 9; D8/107, D8/14, 98-100, 300, 17, 20, 47, 98-99; D10/126; D23/223; D24/108, 112-115, D24/117-122, 127, 133, 146-149, 151, D24/172-176, 214, 231; D7/649, 669

FIG. 1 is a perspective view of a laser lancing device showing our new design, FIG. 2 is a front view thereof; FIG. 3 is a rear view thereof; FIG. 4 is a left side view thereof; FIG. 5 is a right side view thereof; FIG. 6 is a top plan view thereof; FIG. 7 is a bottom view thereof; and FIG. 8 is a perspective view thereof shown with additional environment; and, FIG. 9 is an enlarged view of an end of the laser lancing device of FIG. 1.

CPC A61B 10/0266; A61B 17/3205; A61B 17/32053; A61B 2010/0208; A61B 2017/0076; A61B 2090/034; A61B 2090/0811; A61B 2017/00367; A61B 17/06; A61B 17/20; A61B 17/062; A61B 17/00; A61B 17/3211; A61B 2017/00761; A61B 2017/32113; A61B 2018/1422; A61B 5/6833; A61B 17/34; A61B 17/32; A61B 17/16; A61B 2018/00607; A61B 2018/00601; A61B 17/14; A61B 10/0275;

The broken line representations in the figures show unclaimed environment, and thus form no part of the claimed design.

(Continued)

The broken line areas show portions of the laser lancing device that form no part of the claimed design.

(56) **References Cited**

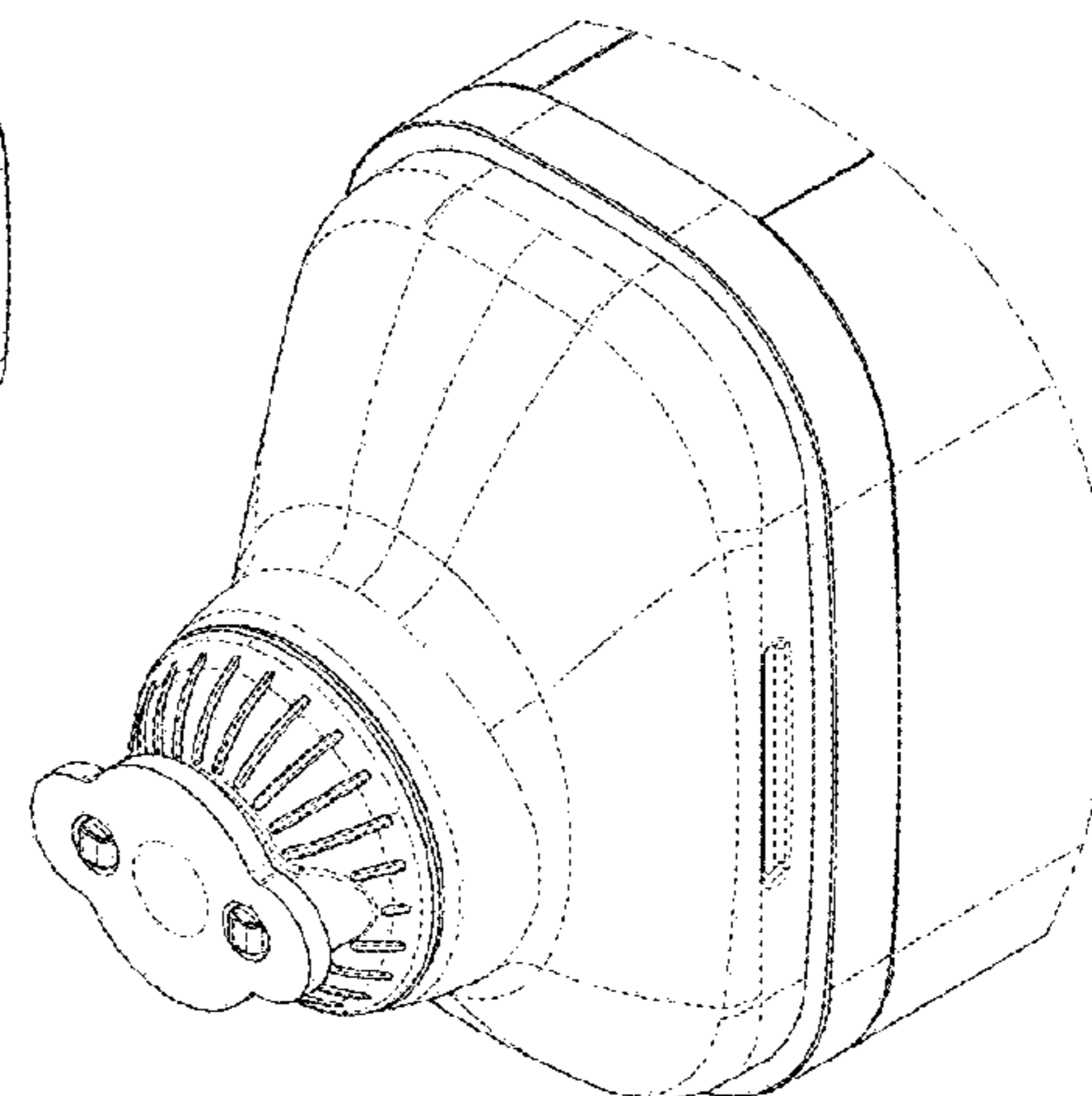
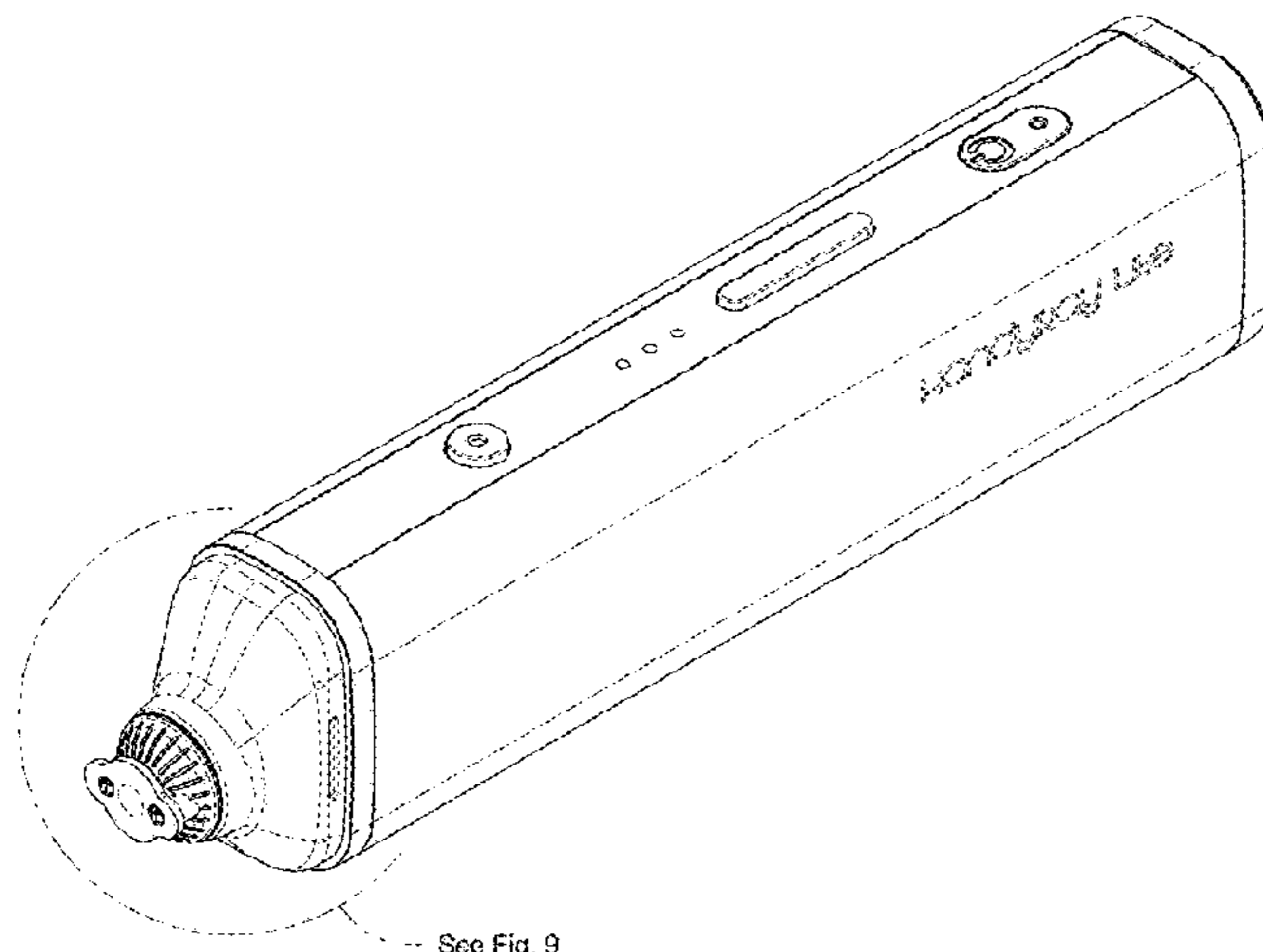
1 Claim, 6 Drawing Sheets

U.S. PATENT DOCUMENTS

D342,573 S * 12/1993 Cerola D24/147

D412,985 S * 8/1999 Weekes D24/146

(Continued)



See Fig. 9

(58) **Field of Classification Search**

CPC A61B 2217/005; A61B 5/150213; A61B
5/150351; A61B 5/150352; A61B 90/11;
A61M 37/00; A61M 16/0472; A61M
3/00; A61M 1/0039; A61M 1/0064;
A61M 5/20; A61M 5/31; A61M 5/178;
A61M 5/3129; A61M 5/3146; A61M
5/3148; A61M 5/3287; A61H 15/00;
B26B 5/00; A61F 5/0106; A61F 5/0123

See application file for complete search history.

D831,822 S * 10/2018 Guillermo D24/112
D850,612 S * 6/2019 Glocker D24/112
D890,332 S * 7/2020 Guillermo D24/113
D924,497 S * 7/2021 Wei D30/158
2006/0247670 A1 * 11/2006 LeVaughn A61B 5/150618
606/181
2016/0335920 A1 * 11/2016 Bendek G09B 23/285
2019/0274608 A1 * 9/2019 Choi A61B 5/150824
2021/0052259 A1 * 2/2021 Mobley B29C 67/24
2021/0353192 A1 * 11/2021 Bagwell A61B 5/150137

OTHER PUBLICATIONS

(56)

References Cited

U.S. PATENT DOCUMENTS

5,984,940 A * 11/1999 Davis A61B 5/15186
606/181
D747,477 S * 1/2016 Freigang D24/133

Pen-Type Laser Lancing Device, first available Dec. 29, 2013,
blahn.net/, [online], [site visited Nov. 23, 2021], Available from
internet URL: <http://blahn.net/2013/12/29/development-of-pen-type-laser-perforator/> (Year: 2013).*

* cited by examiner

Fig. 1

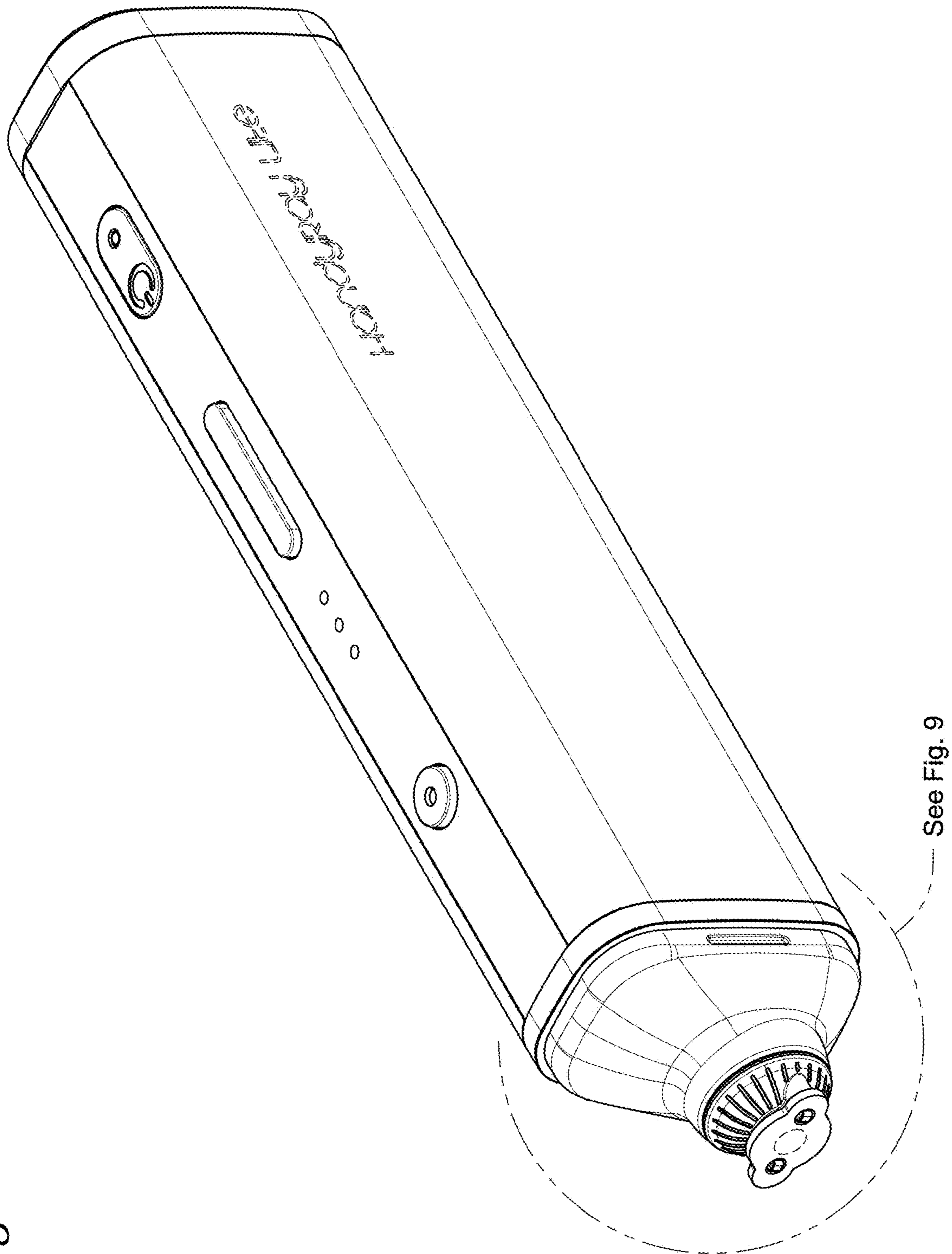


Fig. 2

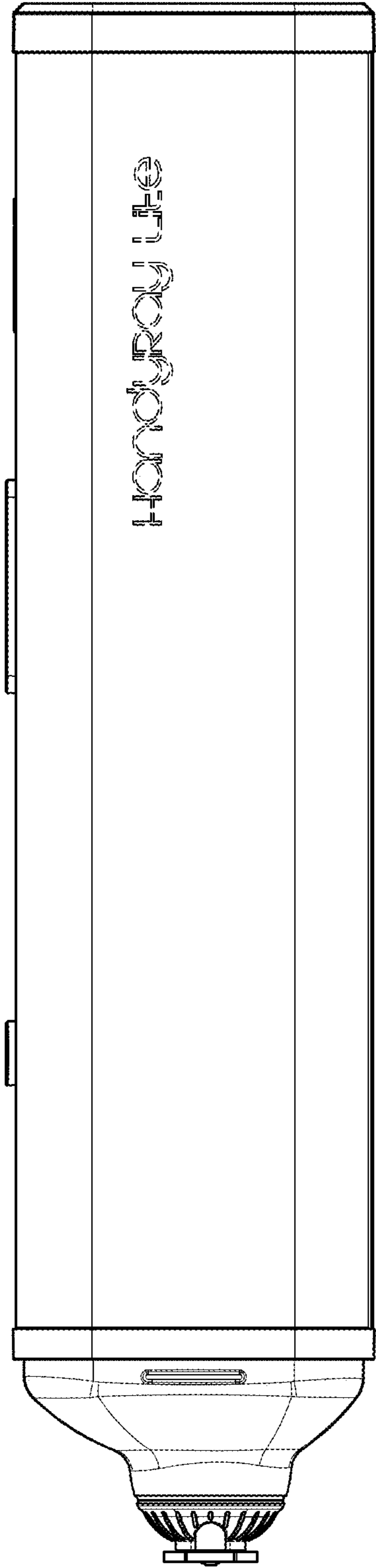


Fig. 3

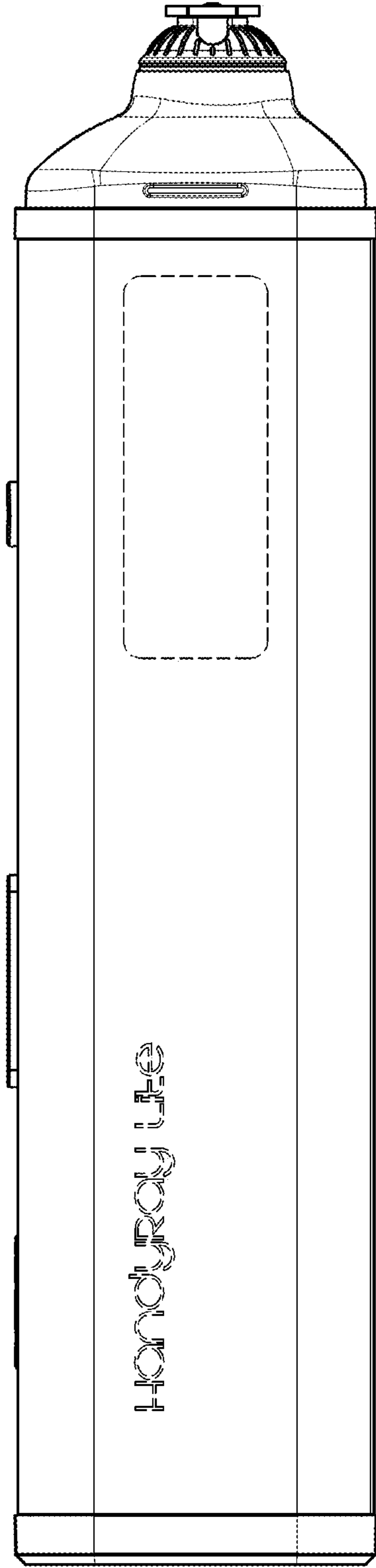


Fig. 5

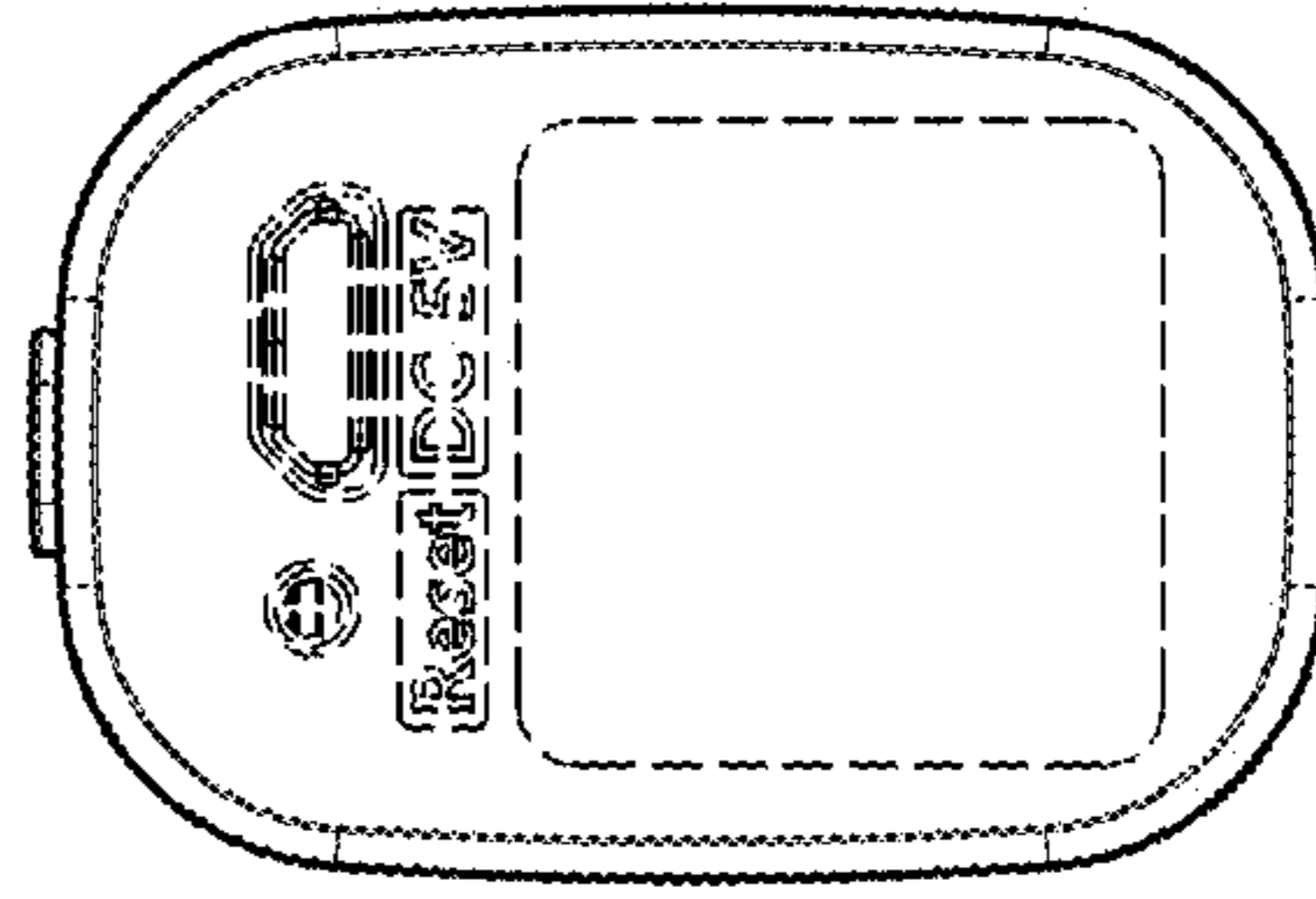
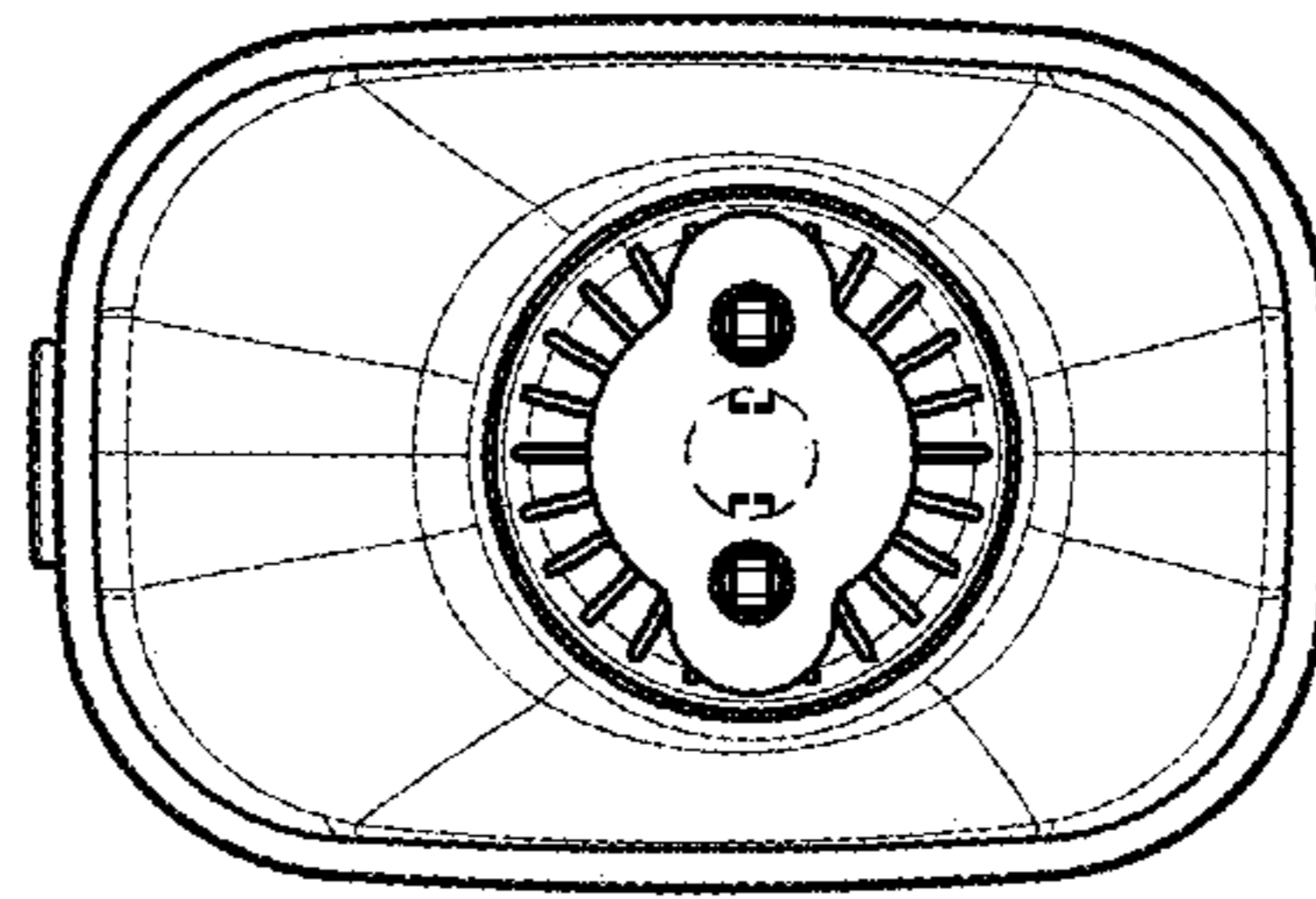


Fig. 4



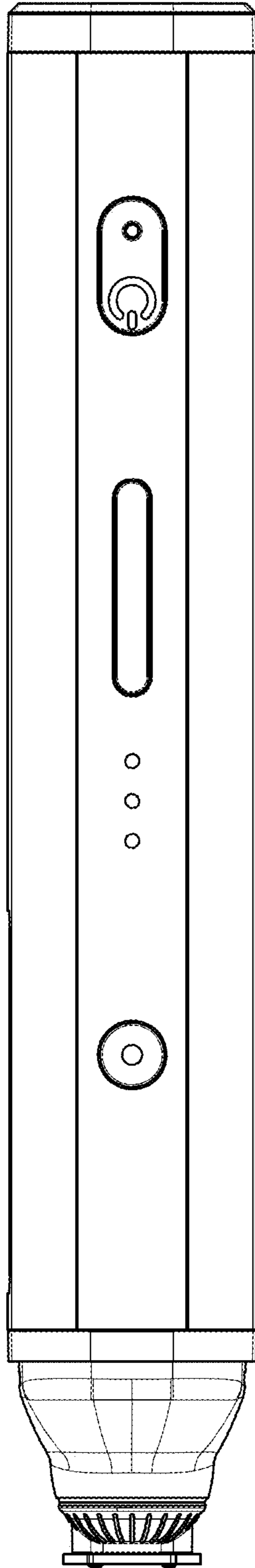


Fig. 6

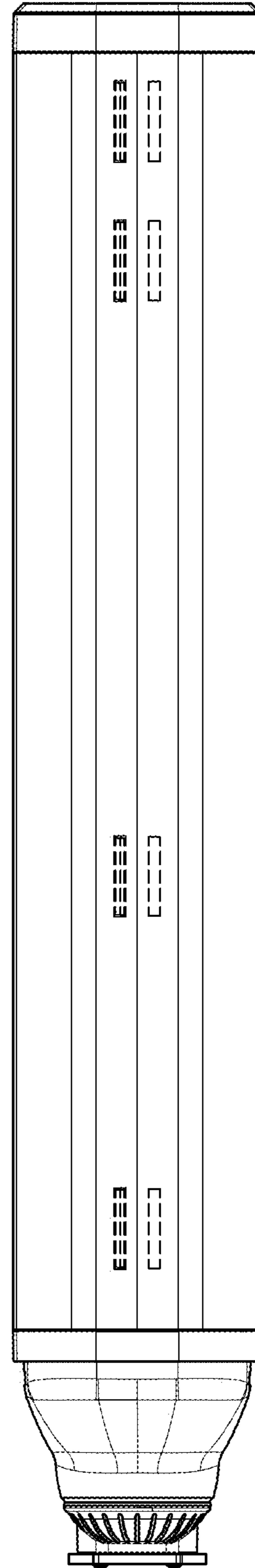


Fig. 7

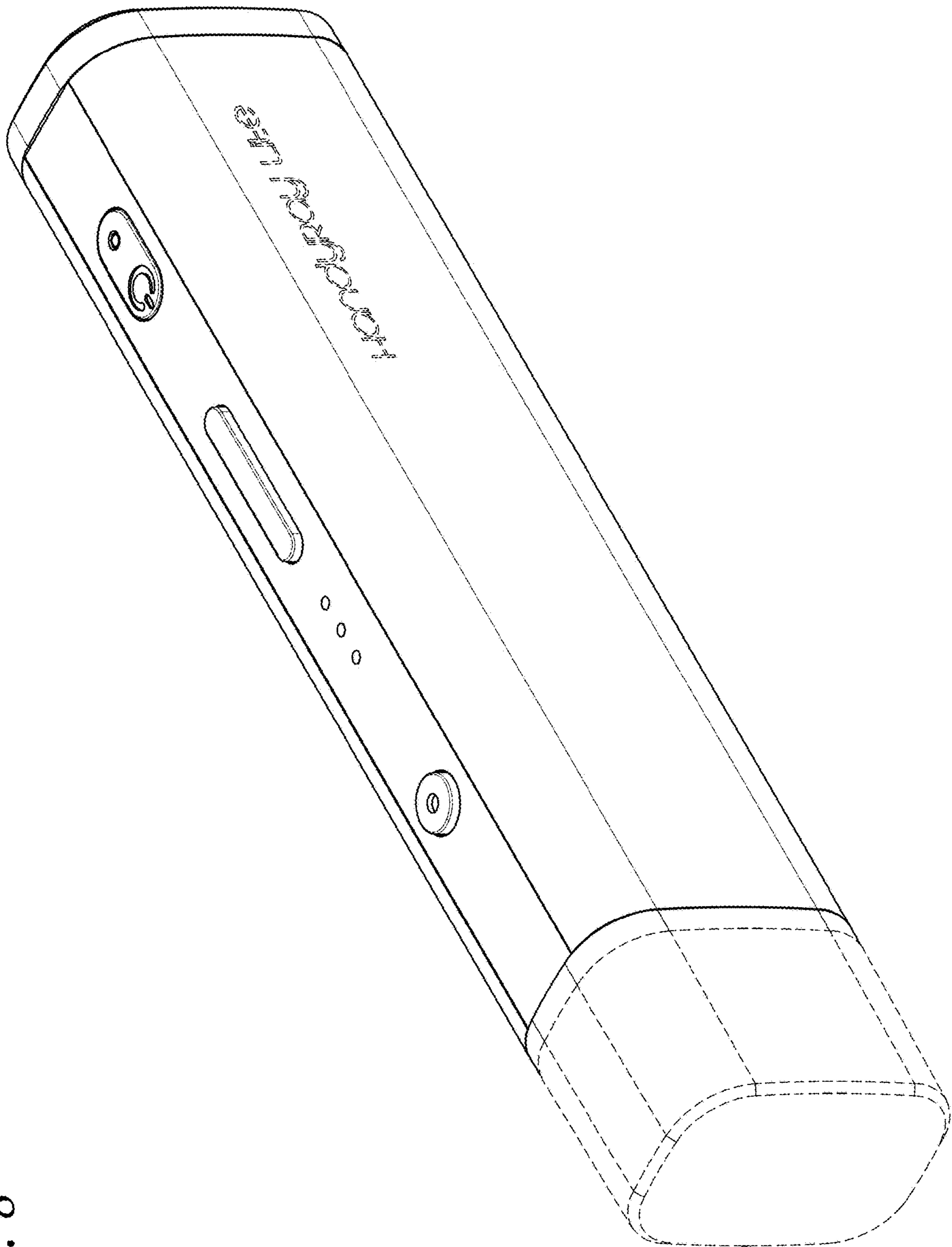


Fig. 8

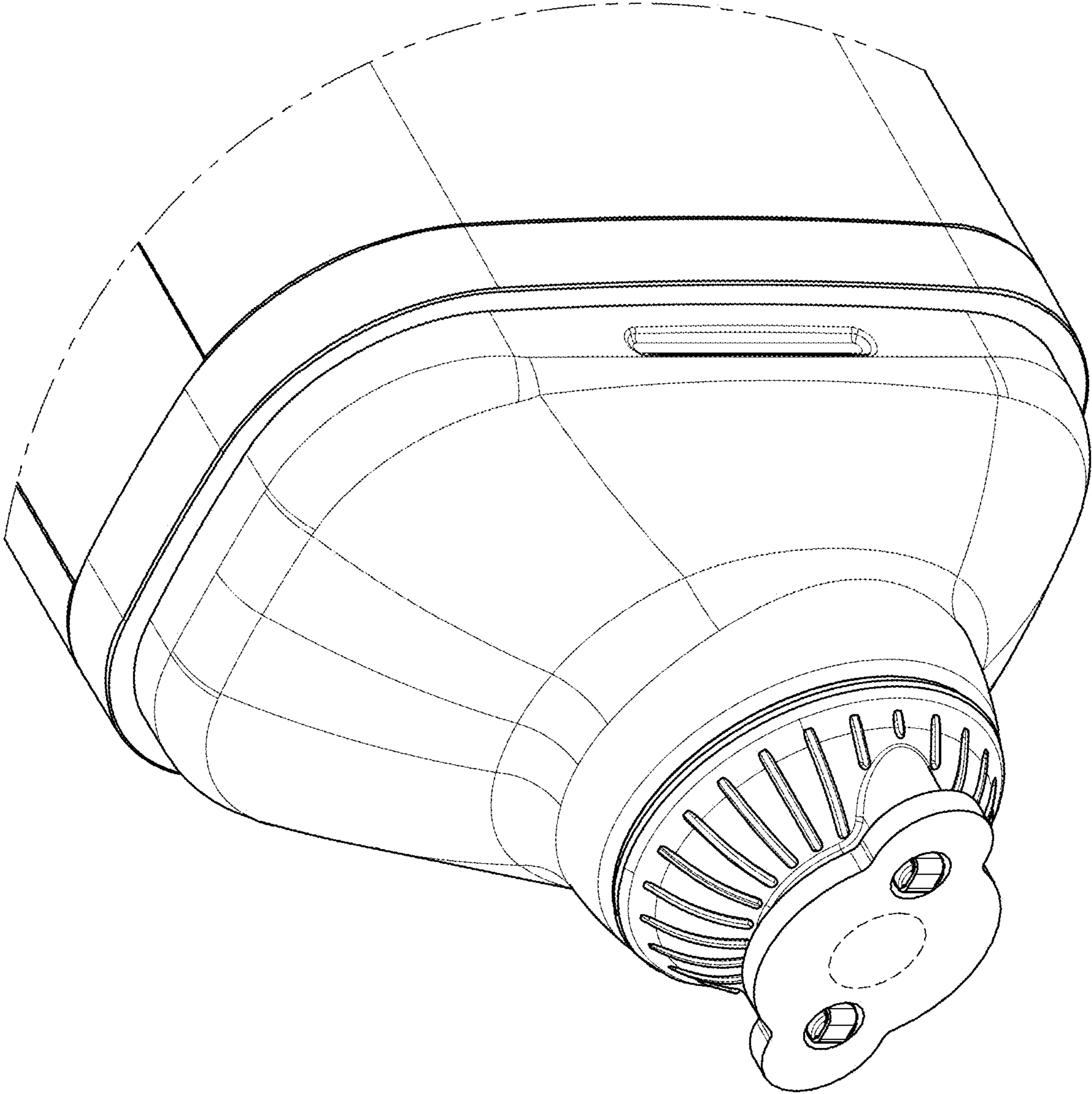


Fig. 9