



US00D966514S

(12) **United States Design Patent** (10) **Patent No.:** **US D966,514 S**
Sweeney et al. (45) **Date of Patent:** **** Oct. 11, 2022**

(54) **INSTRUMENT SHANK WITH SQUARE DRIVE**
(71) Applicant: **Spinal Generations, LLC**, Mokena, IL (US)
(72) Inventors: **Patrick J. Sweeney**, Flossmoor, IL (US); **Matthew V. Leyden**, St. Paul, MN (US)
(73) Assignee: **Spinal Generations, LLC**, Mokena, IL (US)

(**) Term: **15 Years**
(21) Appl. No.: **29/732,381**
(22) Filed: **Apr. 23, 2020**
(51) **LOC (13) Cl.** **24-02**
(52) **U.S. Cl.**
USPC **D24/146**

(58) **Field of Classification Search**
USPC D15/21-29, 138-140; D24/1, 107-108, D24/110, 110.4-110.6, 111-122, D24/127-128, 130, 133, 140-141, D24/145-147, 152, 155-156, 172, 186, D24/190, 200, 206-207, 215, 124-125; D8/70, 354
CPC . A61B 17/1615; A61B 17/1697; A61B 1/303; A61B 5/150045; A61F 5/455; A61F 5/4553; A61F 13/2045; A61F 6/06; A61F 6/08; A61F 6/12; A61F 2/04; A61F 2/005; A61F 2/0009; A61F 2/0027; A61F 2/0036; A61F 2/0045; A61F 13/26; A61F 13/266; A61F 5/44; A61F 9/0008; A61F 9/0026; A61F 2230/0091; A61F 2250/0004; A61F 7/02; A61F 7/03; A61F 7/08; A61F 7/10; A61F 7/106; A61F 2207/0001; A61F 2007/0004; A61F 9/026; A61F 9/04; A61F 13/124; A61H 21/00; A61H 19/00; A61H 19/40; A61H 19/44; A61H 35/02; A61H

(Continued)

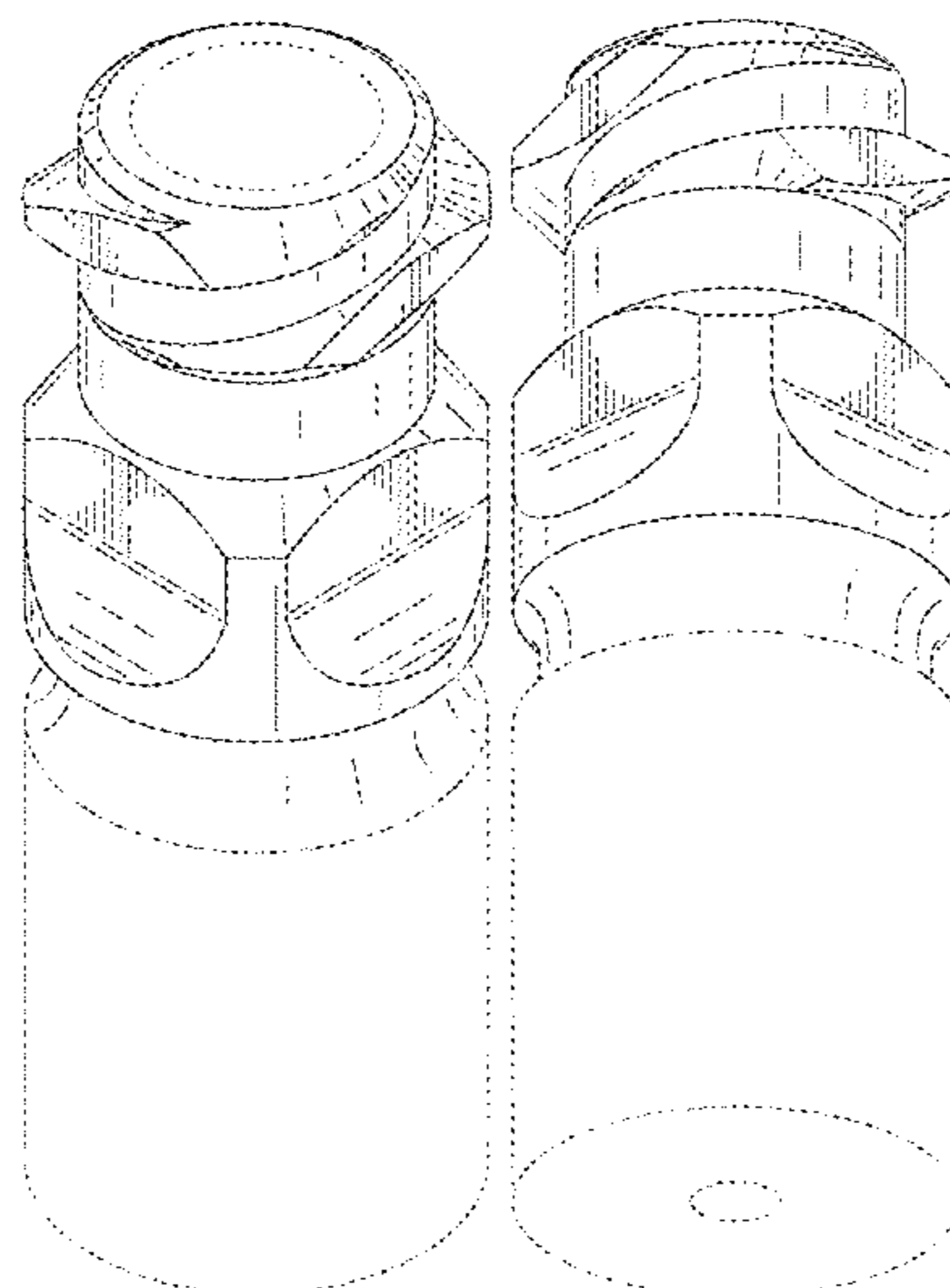
(56) **References Cited**
U.S. PATENT DOCUMENTS
5,196,018 A * 3/1993 Willert A61F 2/4607
606/100
D377,982 S * 2/1997 Walen D24/147
(Continued)

Primary Examiner — Samantha Q Lawrence
Assistant Examiner — Holly M Rodriguez
(74) *Attorney, Agent, or Firm* — Foley & Lardner LLP

(57) **CLAIM**
We claim the ornamental design for an instrument shank with square drive, as shown and described.

DESCRIPTION
FIG. 1 is a top perspective view of an embodiment of the claimed design;
FIG. 2 is a bottom perspective view of the claimed design of FIG. 1;
FIG. 3 is a front elevation view of the claimed design of FIG. 1;
FIG. 4 is a rear elevation view of the claimed design of FIG. 1;
FIG. 5 is a right side view of the claimed design of FIG. 1;
FIG. 6 is a left side view of the claimed design of FIG. 1;
FIG. 7 is a top view of the claimed design of FIG. 1; and, FIG. 8 is a bottom view of the claimed design of FIG. 1.
The ornamental design which is claimed is shown in solid lines in the drawings. The dash-dash broken lines in the drawings illustrate portions of the instrument shank with square drive which form no part of the claimed design. The dot-dash broken lines represent the bounds of the claim and form no part of the claimed design. Oblique lines show a transparent, reflective, or shiny surface, and not surface ornamentation.

1 Claim, 7 Drawing Sheets



(58) **Field of Classification Search**

CPC 2201/0153; A61J 1/00; A61J 1/05; B65D
47/18; B65D 83/30; B01L 3/0282; A61M
35/003; A61M 35/00; A61M 2210/0612
See application file for complete search history.

(56) **References Cited**

U.S. PATENT DOCUMENTS

D855,804	S	*	8/2019	Sweeney	D24/146
D882,085	S	*	4/2020	Sweeney	D24/146
D926,320	S	*	7/2021	Sweeney	D24/146
D926,321	S	*	7/2021	Sweeney	D24/146
2018/0132971	A1	*	5/2018	Ertugrul	A61C 1/144
2020/0187960	A1	*	6/2020	Sweeney	A61B 10/025

* cited by examiner

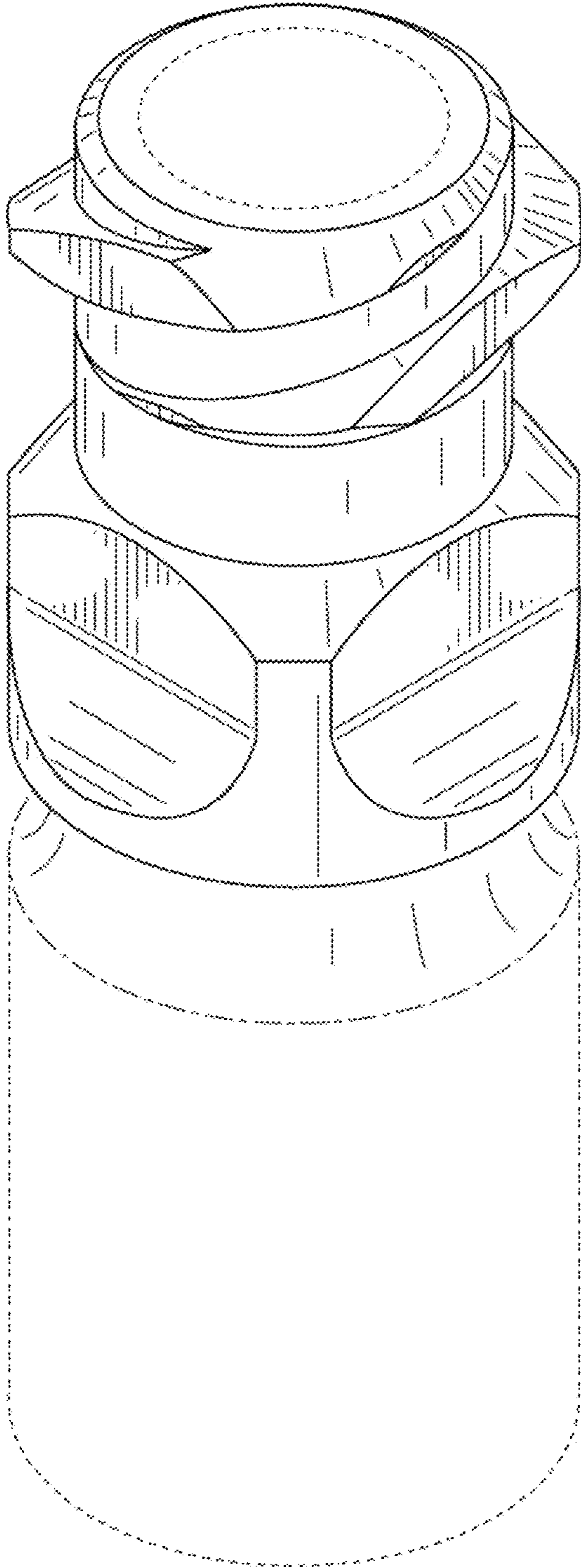


FIG. 1

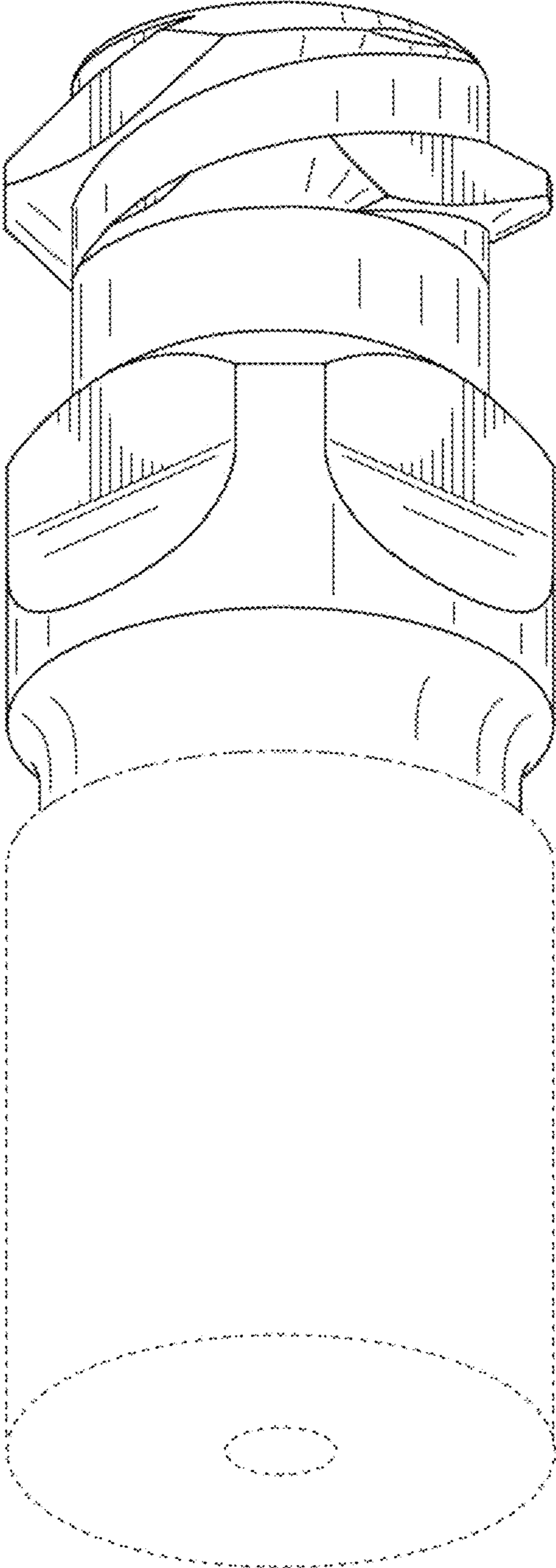


FIG. 2

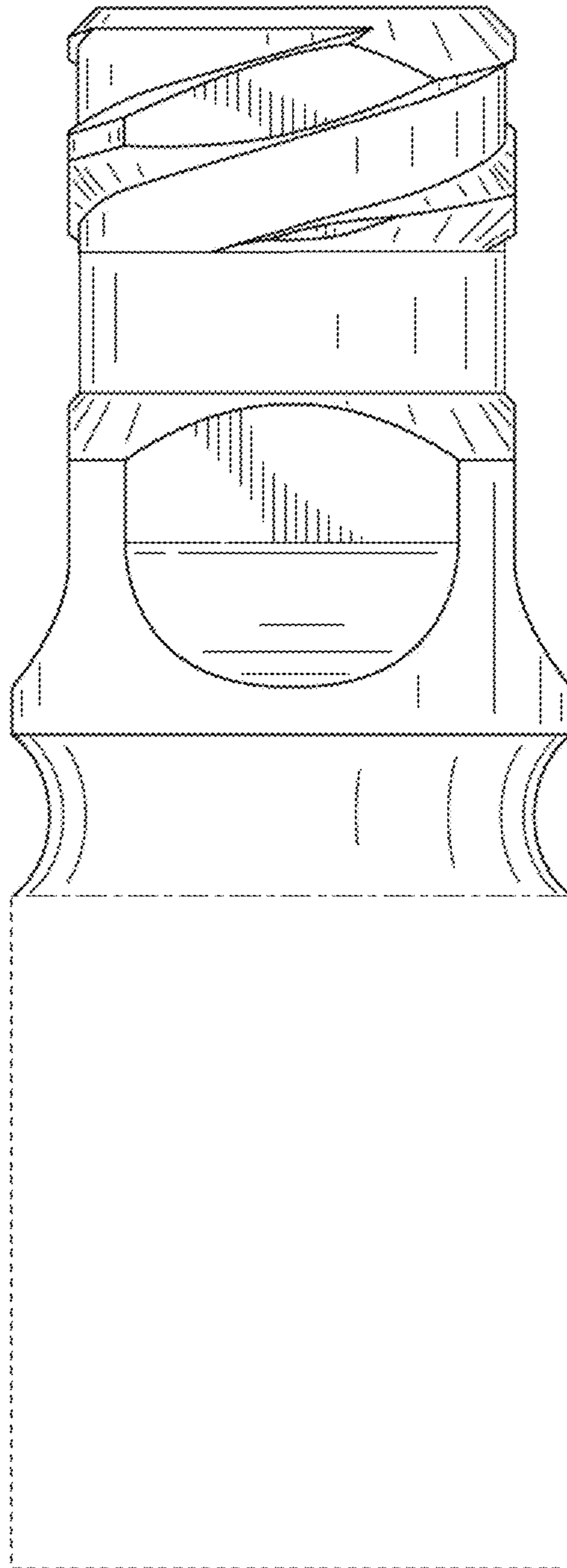


FIG. 3

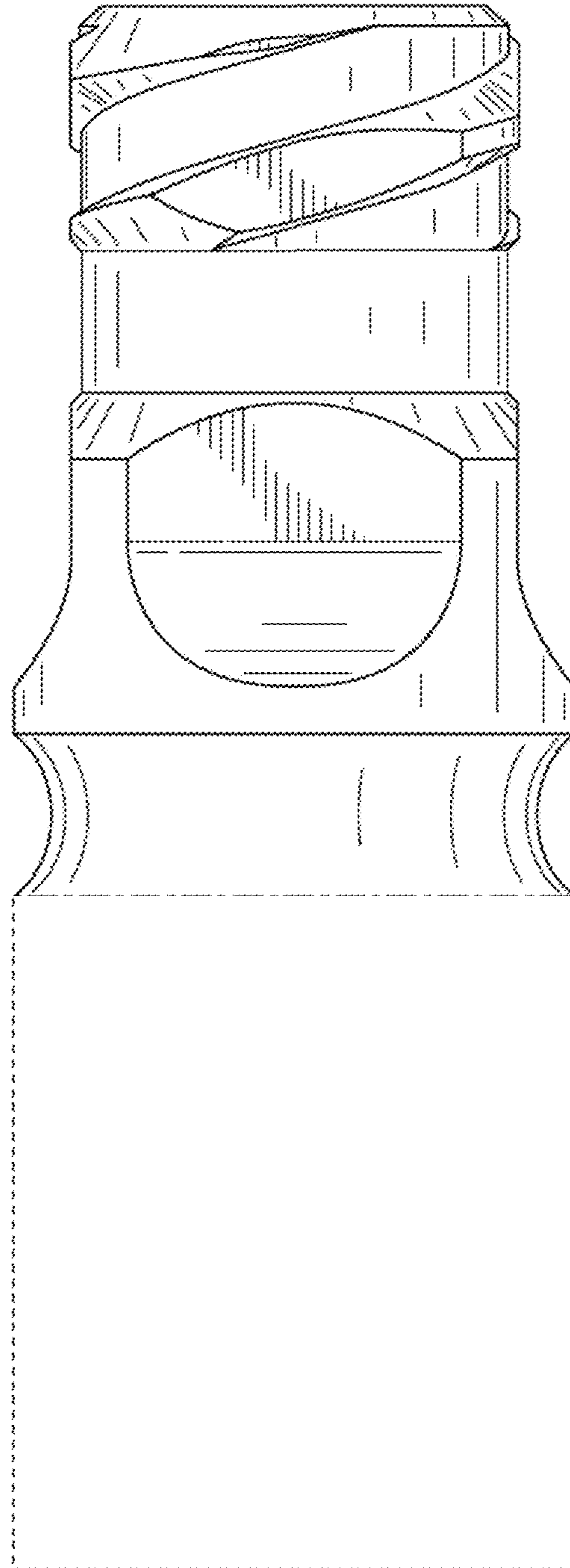


FIG. 4

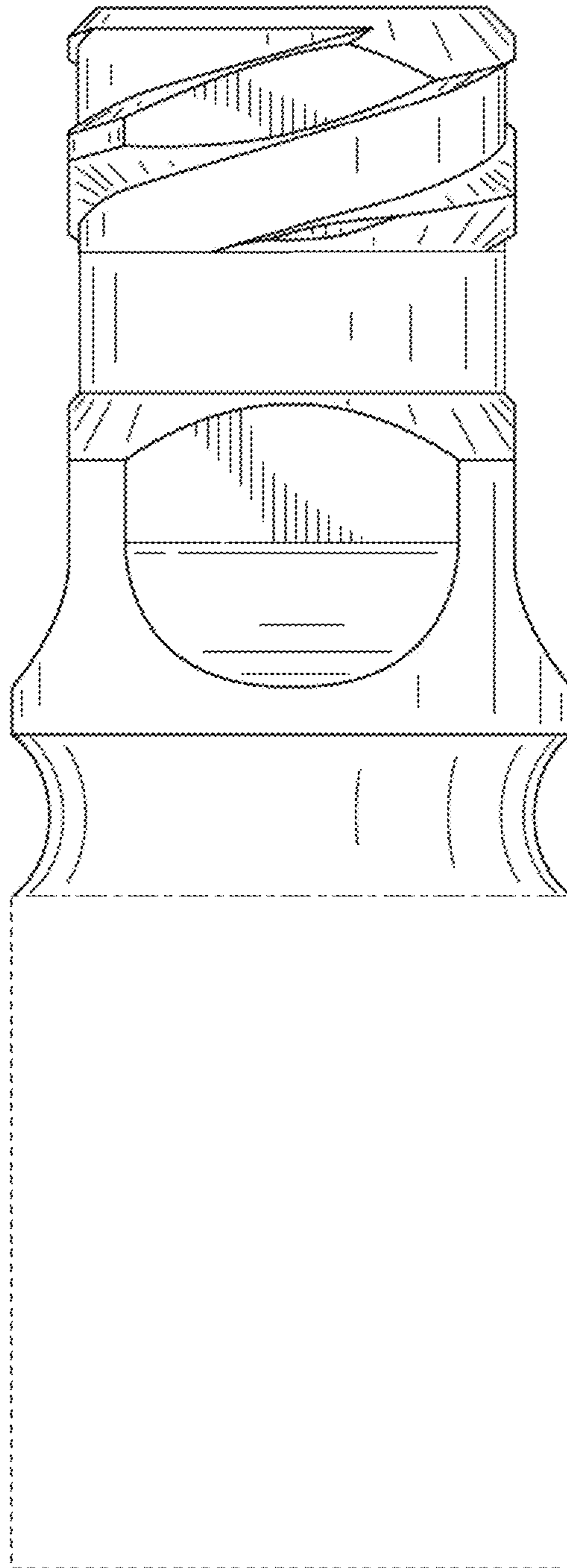


FIG. 5

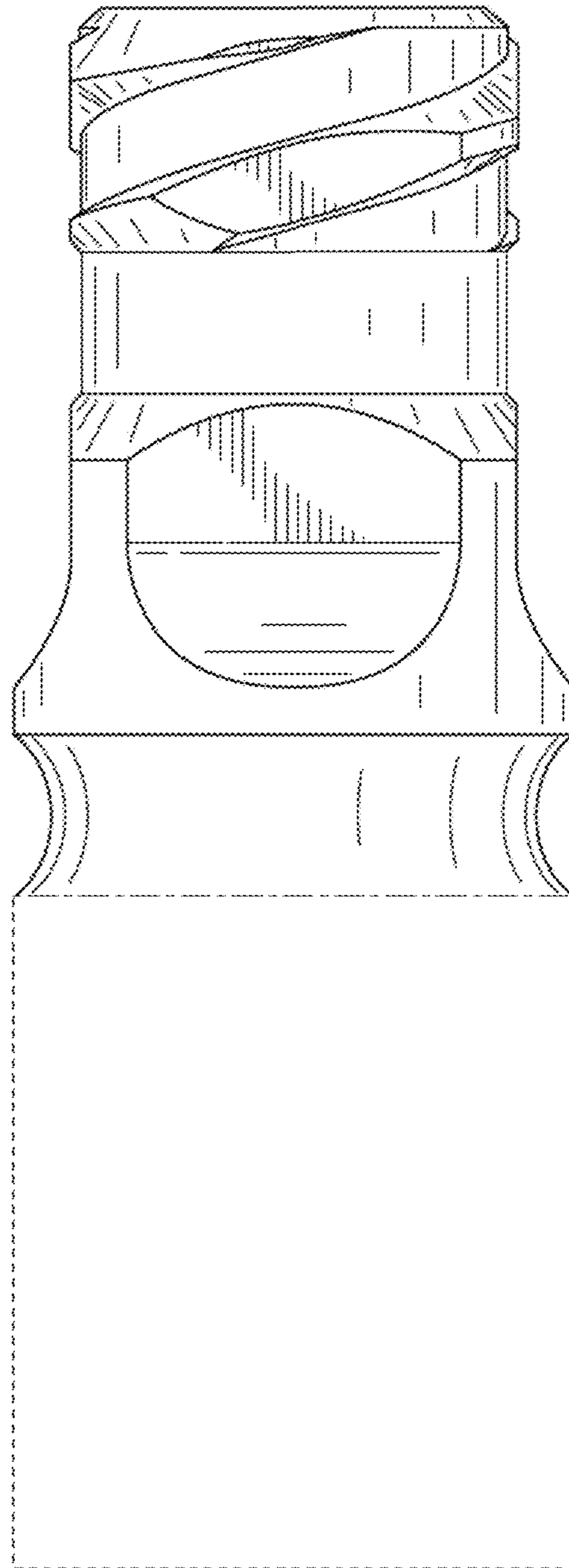


FIG. 6

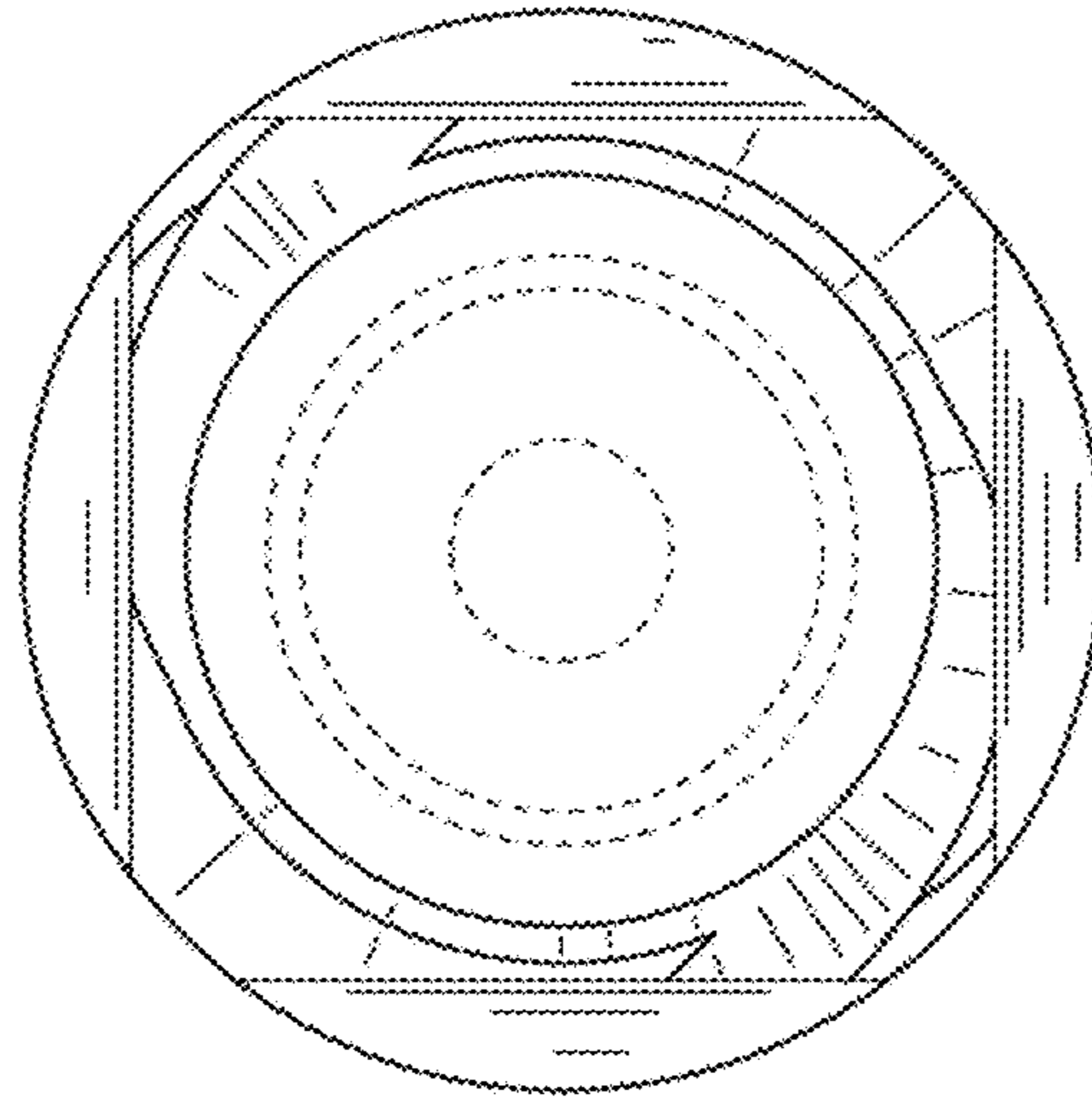


FIG. 7

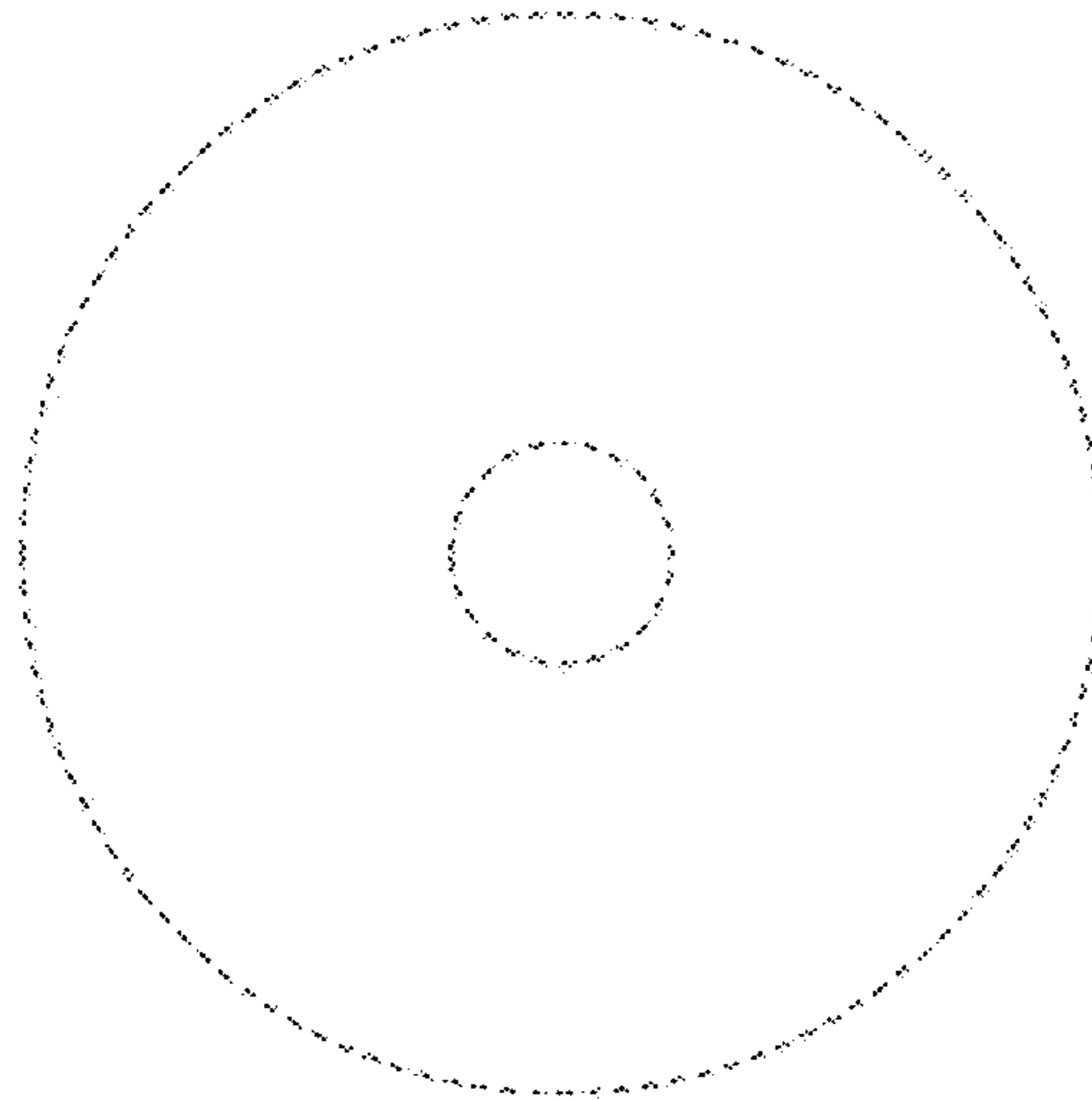


FIG. 8