

US00D966513S

(12) **United States Design Patent** (10) **Patent No.:** **US D966,513 S**
Pfeffer et al. (45) **Date of Patent:** **** Oct. 11, 2022**

- (54) **SHAFT ATTACHABLE MEDICAL INSTRUMENT**
- (71) Applicant: **KARL STORZ SE & CO. KG**, Tuttlingen (DE)
- (72) Inventors: **Marian Pfeffer**, Tuttlingen (DE); **Ann-Kathrin Huber**, Tuttlingen (DE); **Daniel Kaercher**, Tuttlingen (DE); **Regis Besse**, Guyancourt (FR); **Yann Thouement**, Archamps (FR)
- (73) Assignee: **KARL STORZ SE & Co. KG**, Tuttlingen (DE)
- (**) Term: **15 Years**
- (21) Appl. No.: **29/699,427**
- (22) Filed: **Jul. 25, 2019**
- (30) **Foreign Application Priority Data**

Jan. 25, 2019 (EM) 006085023-0004

- (51) **LOC (13) Cl.** **24-02**
- (52) **U.S. Cl.**
USPC **D24/146; D24/148**
- (58) **Field of Classification Search**
USPC D24/133, 143, 145, 146, 147, 148, 137, D24/138, 144, 108, 117, 135, 141, 222, D24/149; D8/51, 68, 107, 57
CPC A61B 17/0684; A61B 17/068; A61B 17/0469; A61B 17/320092; A61B 17/32; A61B 18/1445; A61B 1/00087; A61B 1/00098; A61B 1/0052; A61B 1/00101; A61B 1/00066; A61B 1/0057; A61B 1/0011; A61B 1/00016; A61B 1/00; A61B 1/00052; A61B 1/267; A61B 17/122; A61B 17/28; A61B 17/282; A61B 17/2841; A61B 17/285; A61B 17/29; A61B 17/2909; A61B 17/295; A61B 2017/2926

See application file for complete search history.

- (56) **References Cited**
- U.S. PATENT DOCUMENTS
- | | | | |
|--------------|---------|-------------------|---------|
| D378,611 S * | 3/1997 | Croley | D24/144 |
| D493,888 S * | 8/2004 | Reschke | D24/133 |
| D553,739 S * | 10/2007 | Stammberger | D24/133 |
| D569,509 S * | 5/2008 | Melanson | D24/133 |
| D621,932 S * | 8/2010 | Sonleiter | D24/133 |
| D624,649 S * | 9/2010 | Seeh | D24/137 |
| D624,651 S * | 9/2010 | Leroy | D24/143 |
| D624,652 S * | 9/2010 | Carus | D24/143 |
- (Continued)

Primary Examiner — T Chase Nelson
Assistant Examiner — Kelly L Gross
 (74) *Attorney, Agent, or Firm* — Muncy, Geissler, Olds & Lowe, P.C.

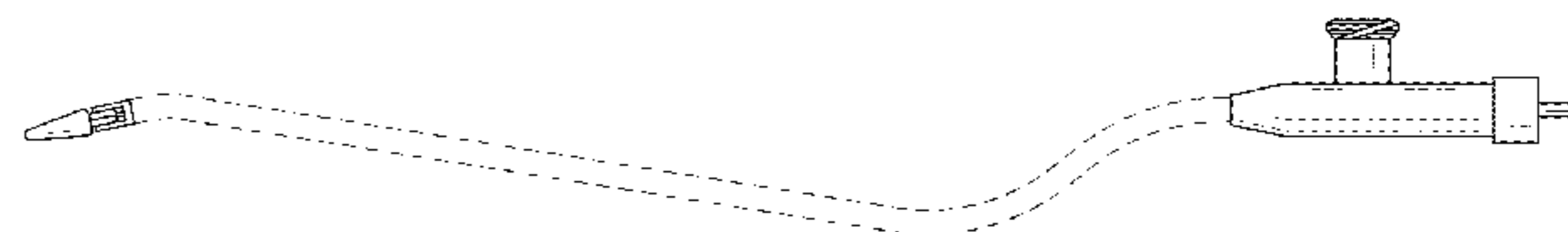
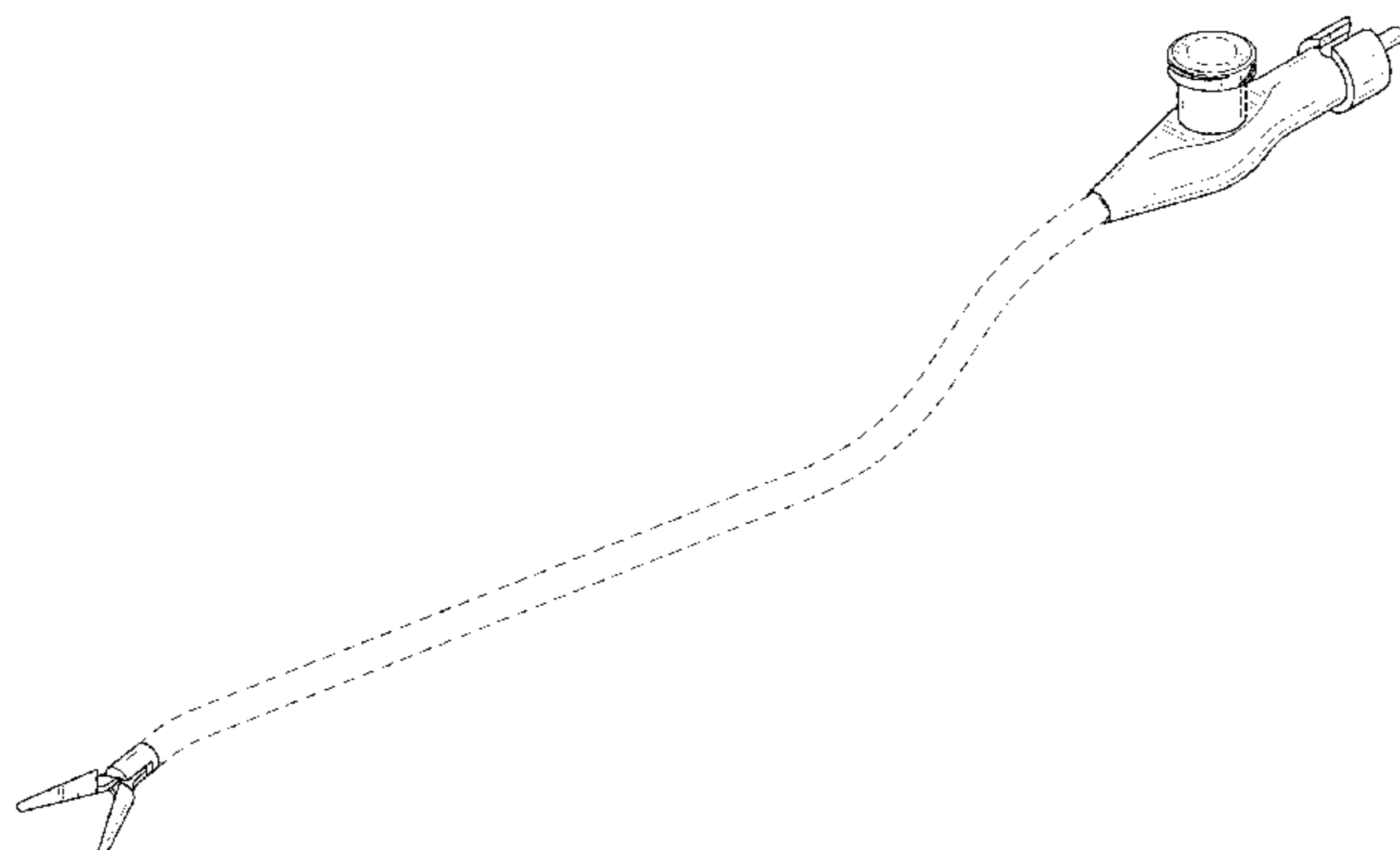
(57) **CLAIM**

The ornamental design for a shaft attachable medical instrument, as shown and described.

DESCRIPTION

FIG. 1 is a front perspective view of a shaft attachable medical instrument according to the present invention. FIG. 2 is a front view of the shaft attachable medical instrument of FIG. 1. FIG. 3 is a rear view of the shaft attachable medical instrument of FIG. 1. FIG. 4 is a left side view of the shaft attachable medical instrument of FIG. 1. FIG. 5 is a right side view of the shaft attachable medical instrument of FIG. 1. FIG. 6 is a top view of the shaft attachable medical instrument of FIG. 1; and, FIG. 7 is a bottom view of the shaft attachable medical instrument of FIG. 1. The dashed lines illustrate environment that does not form a part of the claimed design, and no claim is made to the material illustrated with dashed lines.

1 Claim, 7 Drawing Sheets



(56)

References Cited

U.S. PATENT DOCUMENTS

D625,806 S *	10/2010	Leroy	D24/143	D828,558 S *	9/2018	Haerle	D24/146
D625,807 S *	10/2010	Leroy	D24/143	10,136,884 B2 *	11/2018	Graul	A61B 17/0401
D625,808 S *	10/2010	Leroy	D24/143	D840,034 S	2/2019	Pfeffer et al.	
D625,809 S *	10/2010	Cuschieri	D24/143	D844,139 S *	3/2019	Heard	D24/144
D625,810 S *	10/2010	Cuschieri	D24/143	D844,141 S *	3/2019	Lautemann	D24/146
D625,811 S *	10/2010	Cuschieri	D24/143	D845,479 S *	4/2019	Lautemann	D24/146
D625,812 S *	10/2010	Dapri	D24/143	D845,480 S *	4/2019	Lautemann	D24/146
D625,813 S *	10/2010	Dapri	D24/143	D845,481 S *	4/2019	Lautemann	D24/146
D625,814 S *	10/2010	Leroy	D24/143	D845,482 S *	4/2019	Lautemann	D24/146
D629,899 S *	12/2010	Meinero	D24/138	D845,483 S *	4/2019	Lautemann	D24/146
D638,938 S *	5/2011	Doll	D24/140	D847,992 S *	5/2019	Adams	D24/146
D641,872 S *	7/2011	Solingen	D24/143	D852,358 S *	6/2019	Matuschek	D24/138
D641,873 S *	7/2011	Solingen	D24/143	D852,955 S	7/2019	Pfeffer et al.	
D641,874 S *	7/2011	Solingen	D24/143	D854,151 S *	7/2019	Shelton, IV	D24/145
D646,784 S *	10/2011	Solingen	D24/147	10,383,648 B2 *	8/2019	Sholev	A61B 17/00234
D677,386 S *	3/2013	Bisleri	D24/148	D858,766 S	9/2019	Pfeffer et al.	
D683,852 S *	6/2013	Gonzales	D24/133	D860,441 S *	9/2019	Spycher	D24/133
D700,324 S *	2/2014	Affonce	D24/144	D860,452 S	9/2019	Pfeffer et al.	
D708,328 S *	7/2014	Bannerman	D24/141	D863,007 S *	10/2019	Lopez	D8/26
D719,654 S *	12/2014	Weitkamp	D24/143	D871,574 S *	12/2019	Lohk	D24/138
9,028,492 B2 *	5/2015	Kerr	A61B 18/1445	D871,575 S *	12/2019	Lohk	D24/138
			606/51	10,519,677 B2 *	12/2019	Fujii	E04G 21/123
9,113,879 B2 *	8/2015	Felder	A61B 17/068	D874,647 S *	2/2020	Cranfield	D24/138
D741,483 S *	10/2015	Solingen	D24/146	10,617,439 B2 *	4/2020	Deodhar	A61B 17/295
9,204,923 B2 *	12/2015	Manzo	A61B 34/71	10,645,260 B2 *	5/2020	Matthison-Hansen	
D750,240 S *	2/2016	Gonzales	D24/133				H04N 7/102
D753,298 S *	4/2016	Hayamizu	D24/138	D888,950 S *	6/2020	Kuchta	D24/144
9,375,260 B2 *	6/2016	Kerr	A61B 18/1445	D888,953 S *	6/2020	Baxter, III	D24/145
9,402,619 B2 *	8/2016	Grace	A61B 17/062	10,765,804 B2 *	9/2020	Sohn	A61M 5/158
9,433,422 B2 *	9/2016	Crainich	A61B 17/1285	10,779,710 B2 *	9/2020	Matthison-Hansen	
9,451,947 B2 *	9/2016	Benson	A61B 17/0469				A61B 1/0011
D771,808 S *	11/2016	Efinger	D24/137	10,799,224 B2 *	10/2020	Tasci	A61B 17/00234
D775,332 S *	12/2016	Merz	D24/133	10,842,518 B2 *	11/2020	Williams	A61B 17/12
D777,914 S *	1/2017	Wapler	D24/133	10,842,522 B2 *	11/2020	Messerly	A61B 17/320092
9,566,083 B2 *	2/2017	Slater	A61B 17/3201	D904,608 S *	12/2020	Attinger	D24/138
9,579,146 B2 *	2/2017	Johnson	A61B 18/1445	10,864,003 B2 *	12/2020	Ding	A61B 17/29
D788,917 S *	6/2017	Lautemann	D24/143	10,864,004 B2 *	12/2020	Fujii	A61B 34/30
D788,920 S *	6/2017	Lautemann	D24/143	D912,814 S *	3/2021	Merz	D24/143
D788,921 S *	6/2017	Unger	D24/143	D912,815 S *	3/2021	Merz	D24/143
D788,922 S *	6/2017	Unger	D24/143	D912,817 S *	3/2021	Merz	D24/143
D789,535 S *	6/2017	Wittner	D24/146	10,987,153 B2 *	4/2021	Wang	A61B 18/1442
D790,697 S *	6/2017	Bresco Torras	D24/138	D921,458 S *	6/2021	Willison	D8/14
9,668,805 B2 *	6/2017	Batchelor	A61B 18/1442	11,020,140 B2 *	6/2021	Gee	A61B 17/320092
D791,317 S *	7/2017	Bresco Torras	D24/138	11,033,289 B2 *	6/2021	Hammerland, III	
9,700,335 B2 *	7/2017	Reinauer	A61B 17/29				A61B 17/295
D796,041 S *	8/2017	Preis	D24/143	D924,647 S *	7/2021	Chumchai	A61B 18/00
9,814,480 B2 *	11/2017	Tadano	A61B 34/71				D8/14
9,833,232 B2 *	12/2017	Woodard, Jr.	A61B 17/29	D924,653 S *	7/2021	Chumchai	D8/98
9,872,724 B2 *	1/2018	Walberg	A61B 18/1445	11,058,472 B2 *	7/2021	Lesko	A61B 18/00
9,872,726 B2 *	1/2018	Morisaki	A61B 18/1206	D926,979 S *	8/2021	Funakoshi	A61B 18/1442
9,968,343 B2 *	5/2018	Jeong	A61B 17/29				D24/138
10,016,207 B2 *	7/2018	Suzuki	A61B 34/70	D926,980 S *	8/2021	Koros	A61B 17/320092
							D24/143
				2017/0150950 A1 *	6/2017	Thouement	A61B 17/00

* cited by examiner

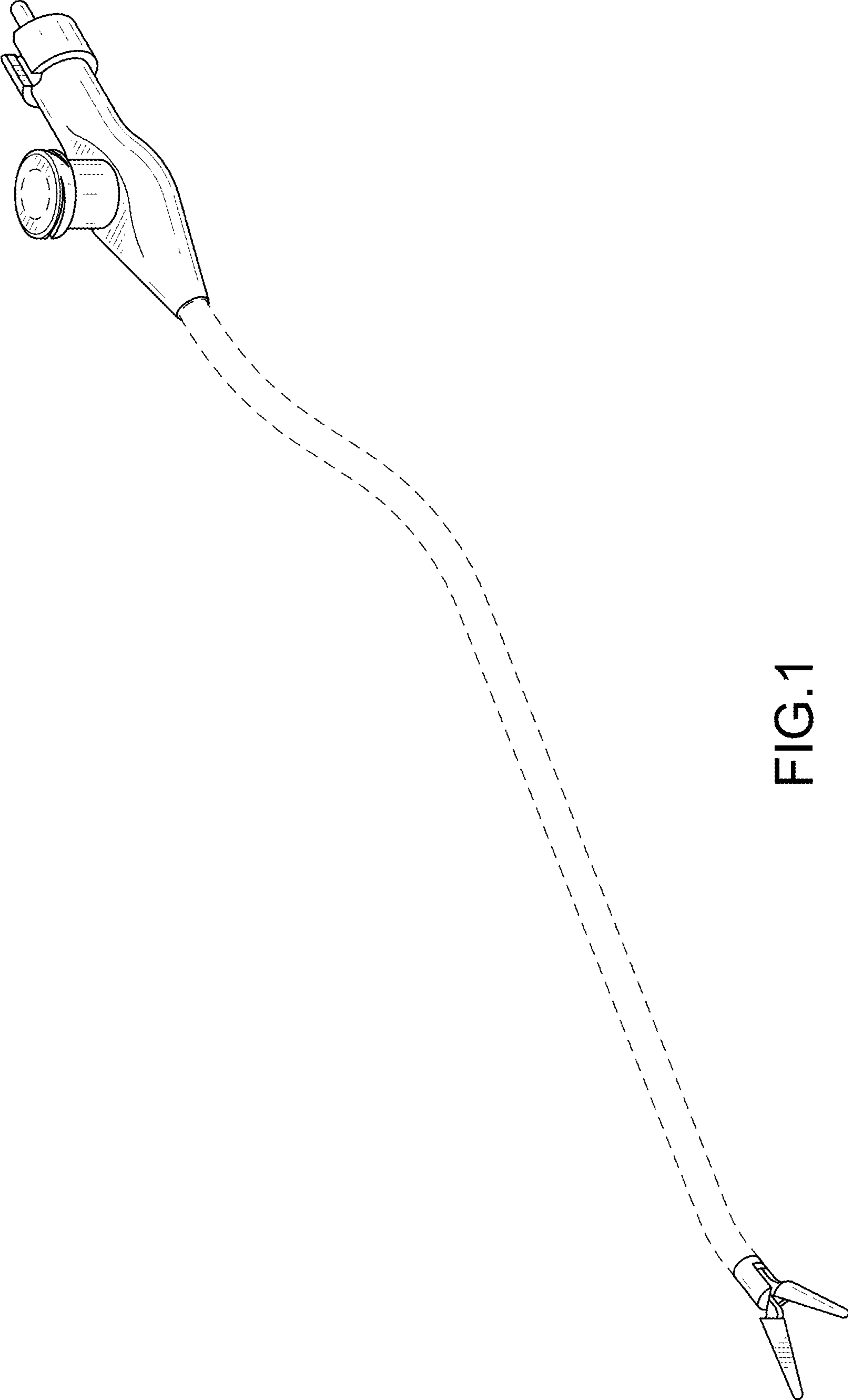


FIG.1

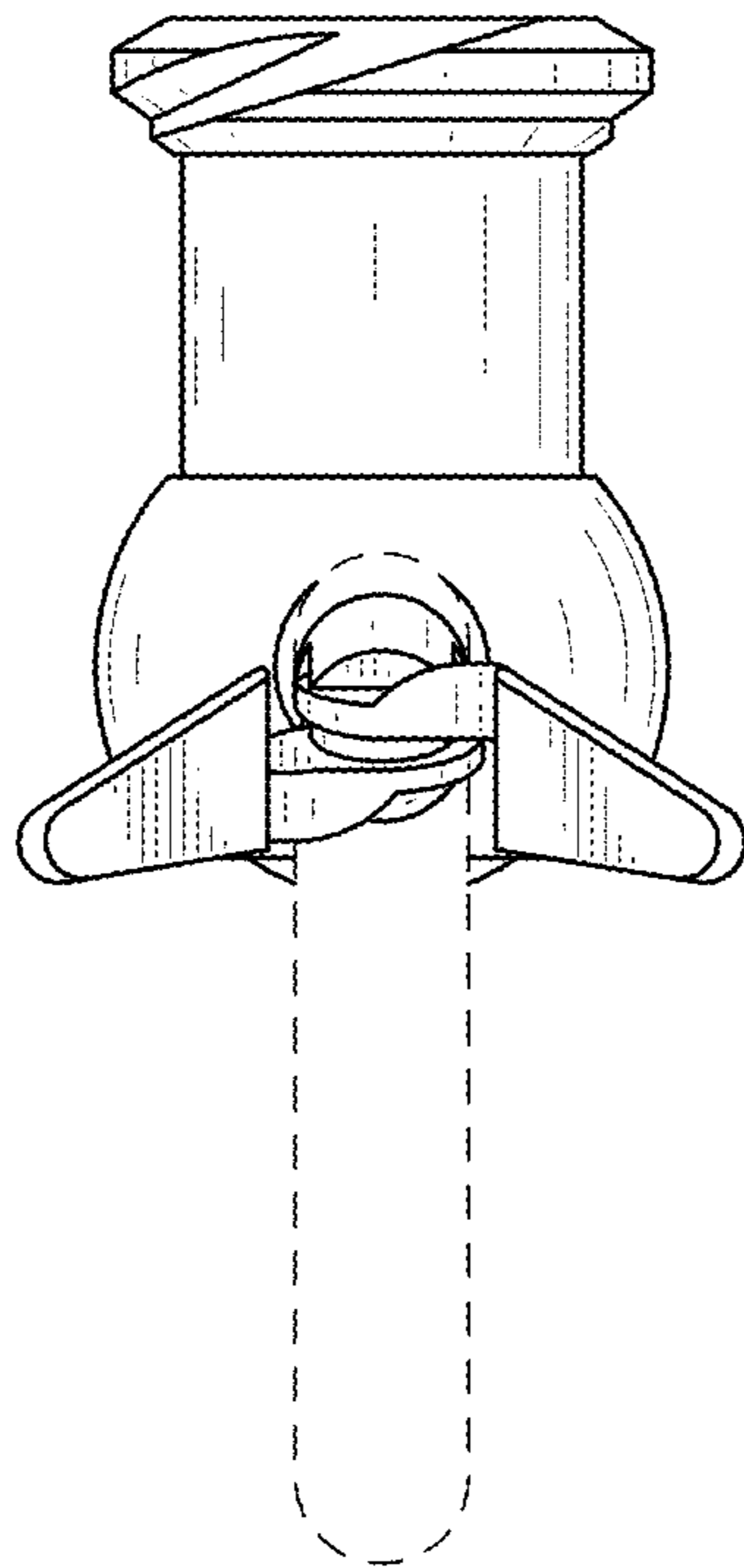


FIG.2

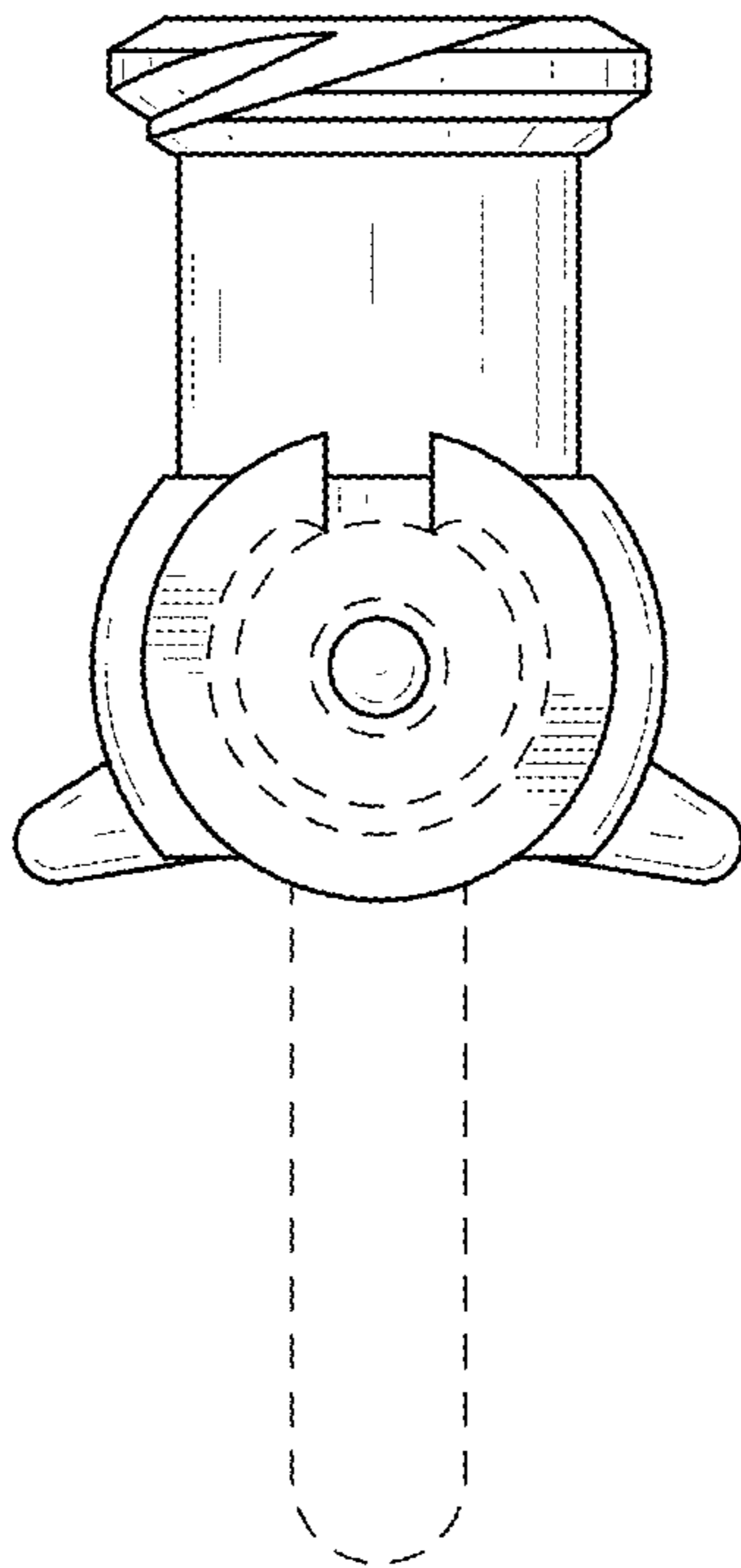


FIG.3

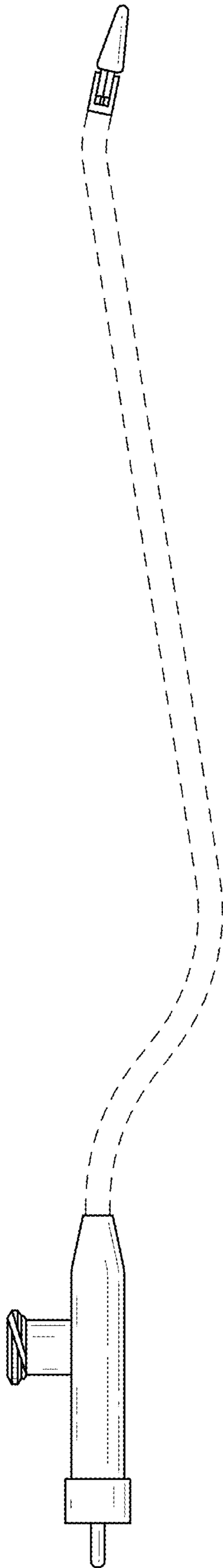


FIG.4

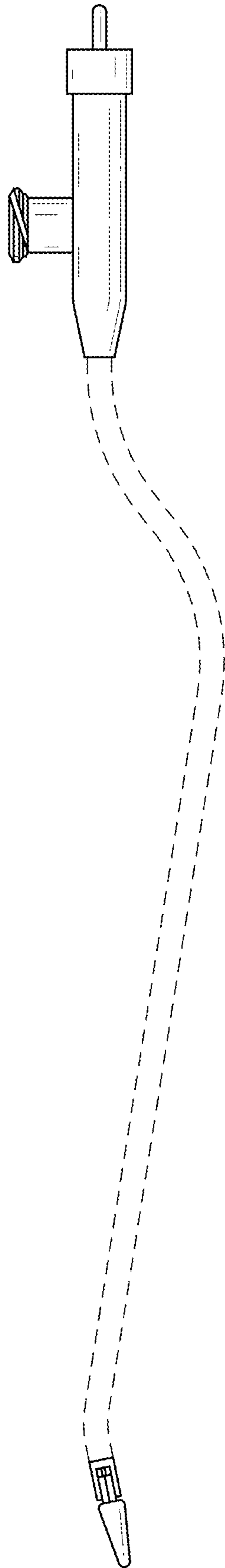


FIG.5

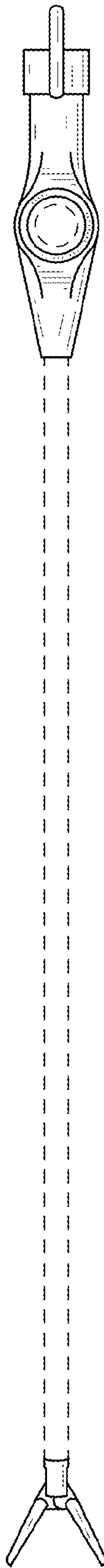


FIG.6

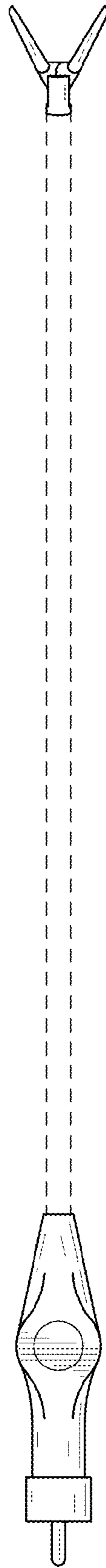


FIG.7