



US00D966510S

(12) **United States Design Patent** (10) **Patent No.:** **US D966,510 S**  
**Oosthuizen** (45) **Date of Patent:** **\*\* Oct. 11, 2022**

(54) **TIBIAL CUTTING TEMPLATE CONNECTOR**

(71) Applicant: **Christiaan Rudolf Oosthuizen,**  
Northcliff (ZA)

(72) Inventor: **Christiaan Rudolf Oosthuizen,**  
Northcliff (ZA)

(\*\*) Term: **15 Years**

(21) Appl. No.: **29/700,868**

(22) Filed: **Aug. 6, 2019**

(30) **Foreign Application Priority Data**

Feb. 6, 2019 (ZA) ..... F2019/00188

(51) **LOC (13) Cl.** ..... **24-02**

(52) **U.S. Cl.**  
USPC ..... **D24/140**

(58) **Field of Classification Search**  
USPC ..... D24/140, 133, 135, 155  
CPC ..... A61F 2/30749; A61F 2/0811; A61F 2/08;  
A61F 2002/0829; A61F 2002/0864; A61F  
2002/0888; A61F 2/38; A61F 2/389;  
A61F 2/3886; A61F 2/3859; A61F  
2/3868; A61F 2/64; A61F 2002/30884;  
A61F 2002/30607; A61B 17/68; A61B  
17/6425; A61B 17/809; A61B 17/8061;  
A61B 17/8085

See application file for complete search history.

(56) **References Cited**

**U.S. PATENT DOCUMENTS**

D248,665 S \* 7/1978 Homsy ..... 623/17.17  
D277,981 S \* 3/1985 Homsy ..... D24/155

D277,982 S \* 3/1985 Homsy ..... D24/155  
D288,238 S \* 2/1987 Homsy ..... D24/155  
D457,952 S \* 5/2002 Sherman ..... D24/115  
D540,945 S \* 4/2007 Darnold ..... D24/146  
D575,398 S \* 8/2008 Lash ..... D24/135  
D587,370 S \* 2/2009 Coillard-Lavirotte ..... D24/155  
D593,201 S \* 5/2009 Lash ..... D24/135  
D596,294 S \* 7/2009 Coillard-Lavirotte ..... D8/392  
D687,950 S \* 8/2013 Gitman ..... D24/138  
D865,168 S \* 10/2019 Terblanche ..... D24/135  
D915,588 S \* 4/2021 Dacosta ..... D24/140

\* cited by examiner

*Primary Examiner* — Nathan M Johnston

(74) *Attorney, Agent, or Firm* — Nath, Goldberg & Meyer; Joshua B. Goldberg

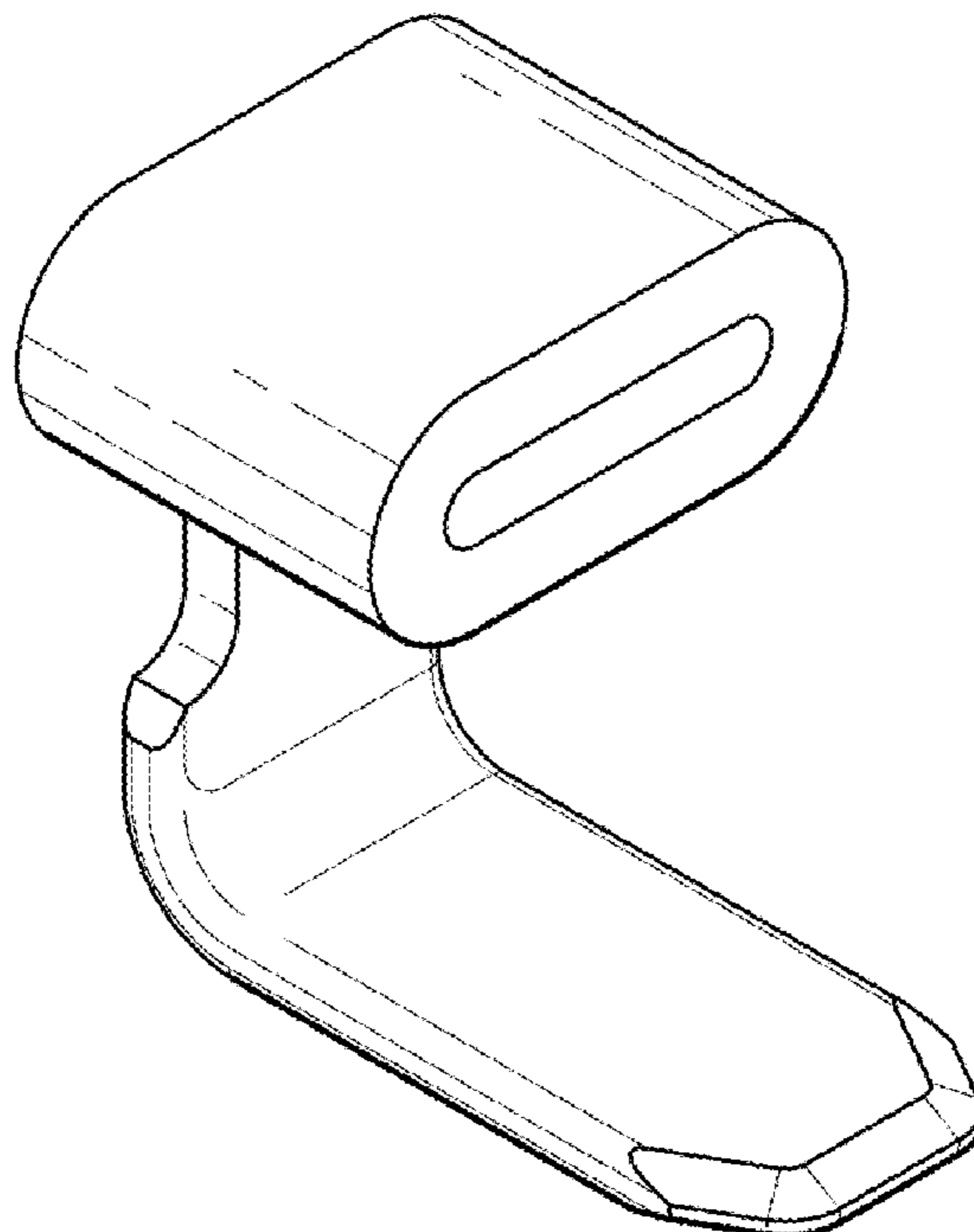
(57) **CLAIM**

The ornamental design for a tibial cutting template connector, as shown and described.

**DESCRIPTION**

FIG. 1 is a front, upper perspective view of a tibial cutting template connector showing my new design;  
FIG. 2 is a rear, upper perspective view thereof;  
FIG. 3 is a front, lower perspective view thereof;  
FIG. 4 is a rear, lower perspective view thereof;  
FIG. 5 is a front view thereof;  
FIG. 6 is a rear view thereof;  
FIG. 7 is a left side view thereof;  
FIG. 8 is a right side view thereof;  
FIG. 9 is a top view thereof; and,  
FIG. 10 is a bottom view thereof.

**1 Claim, 3 Drawing Sheets**



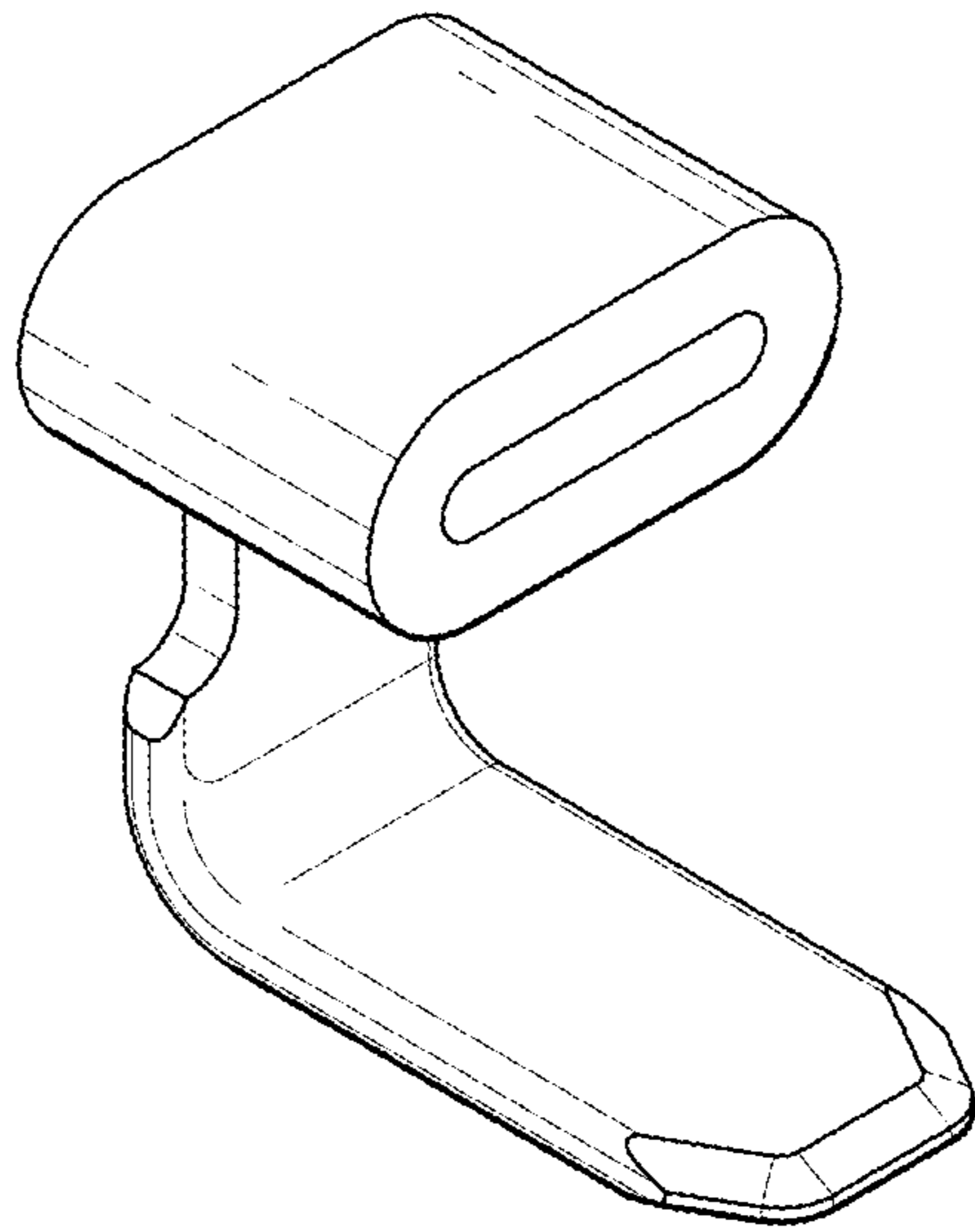


FIG. 1

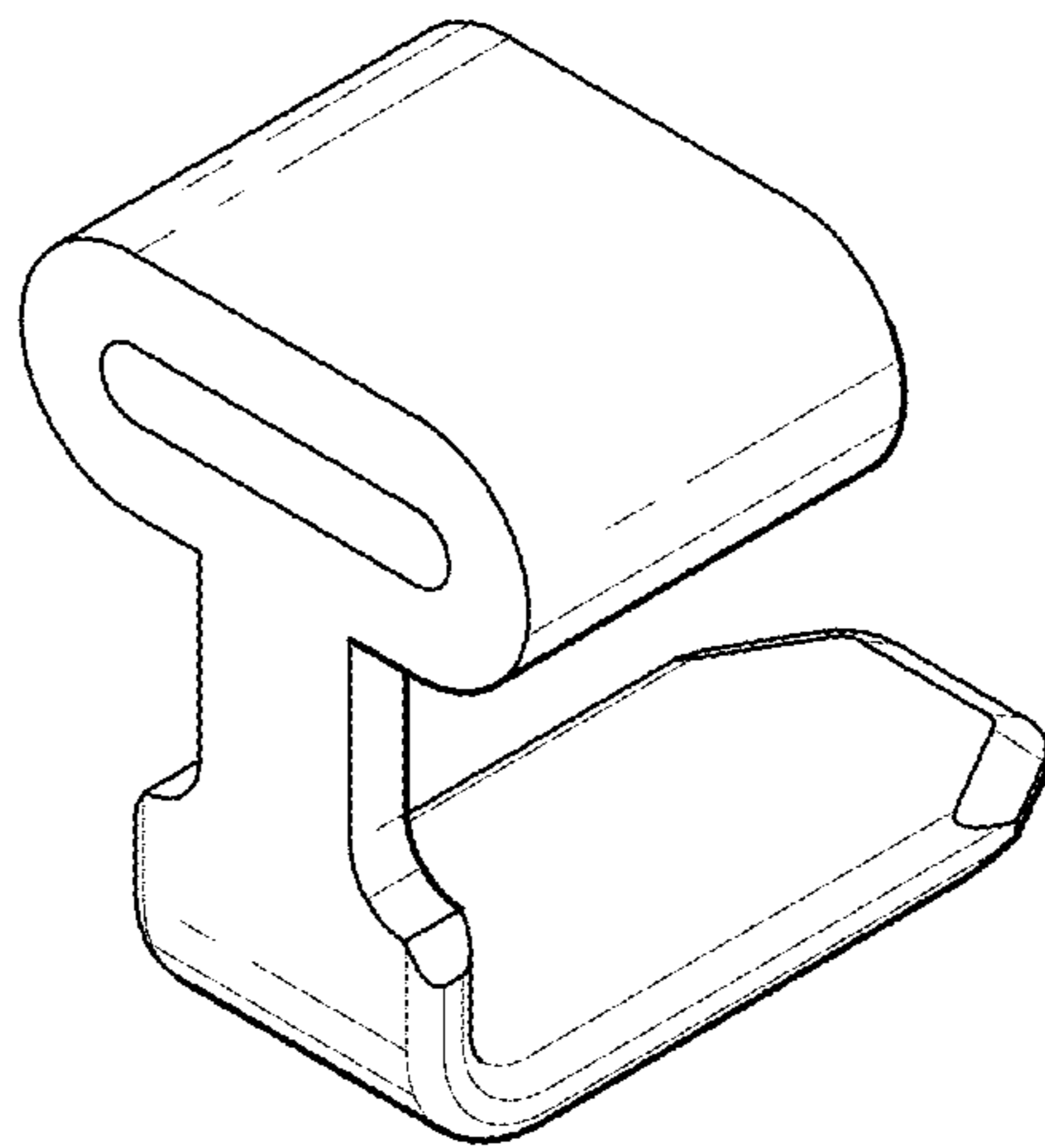


FIG. 2

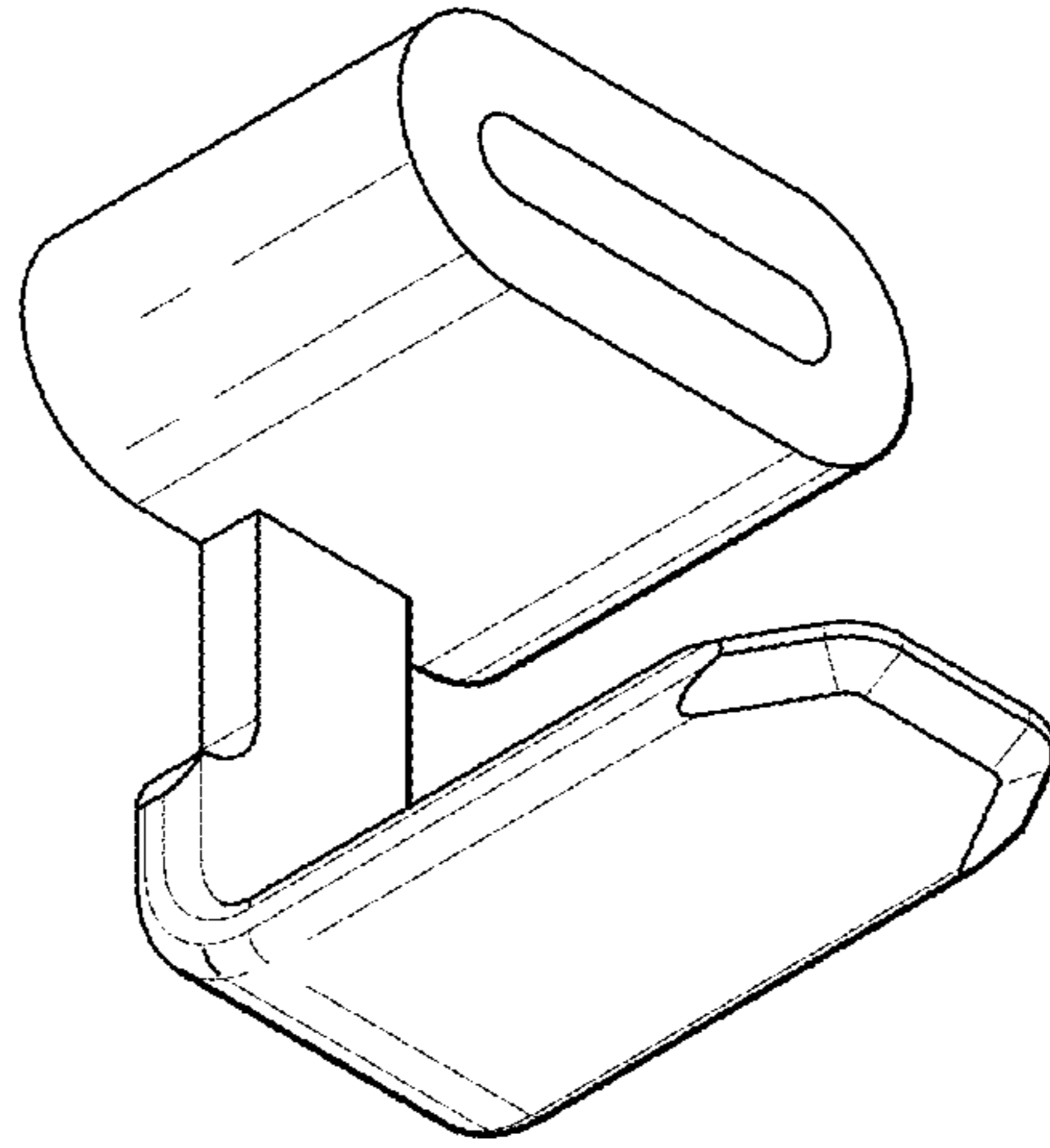


FIG. 3

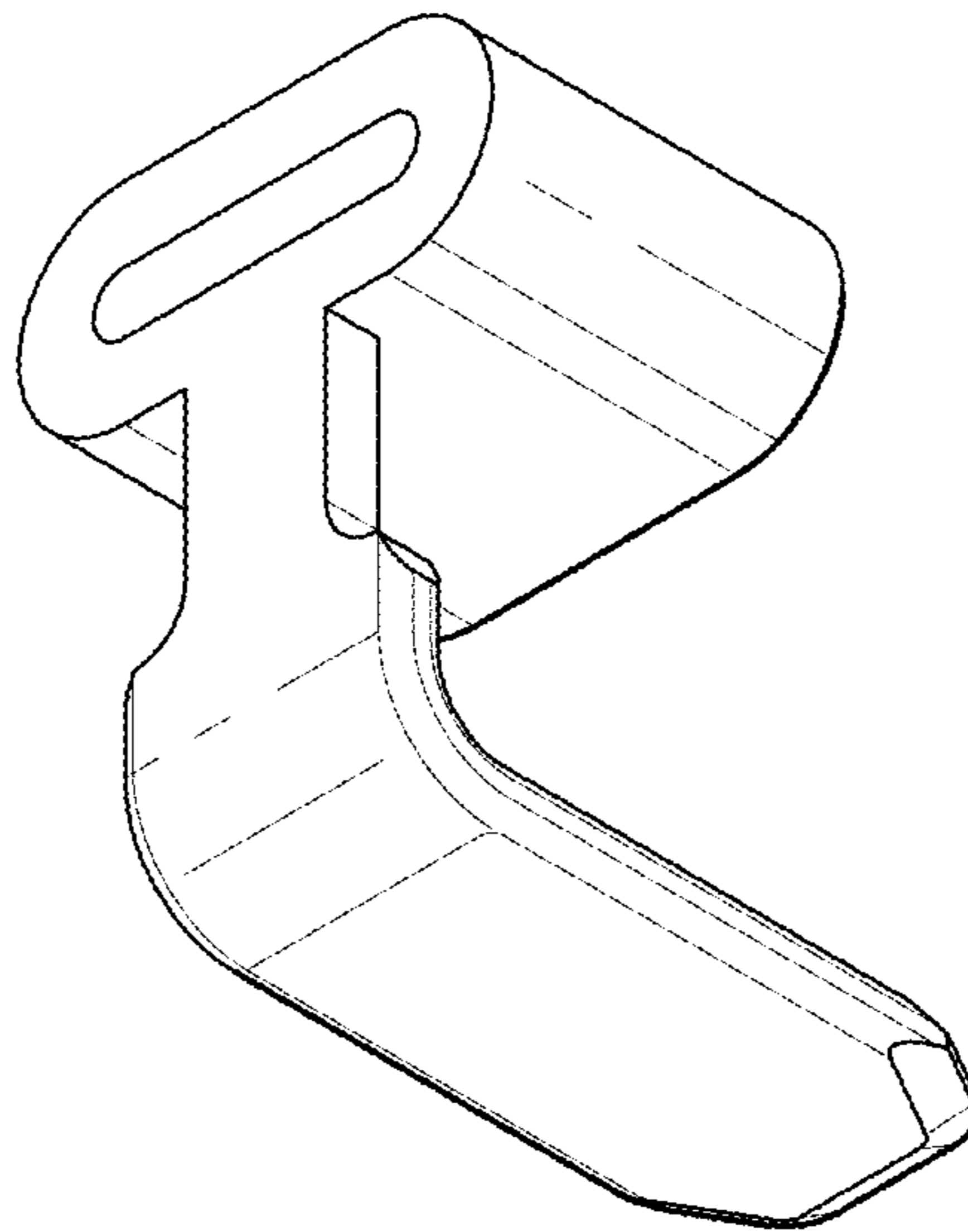


FIG. 4

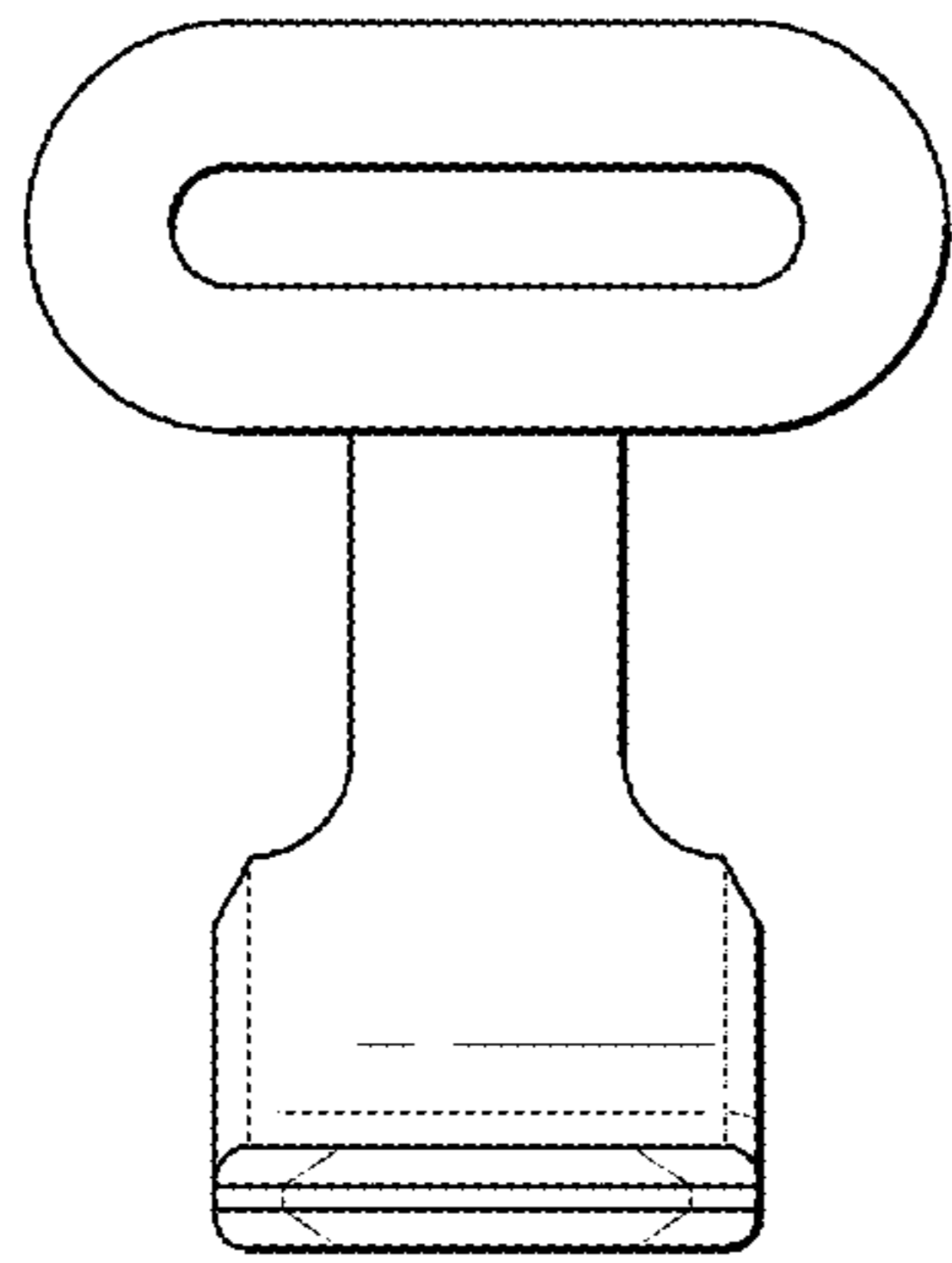


FIG. 5

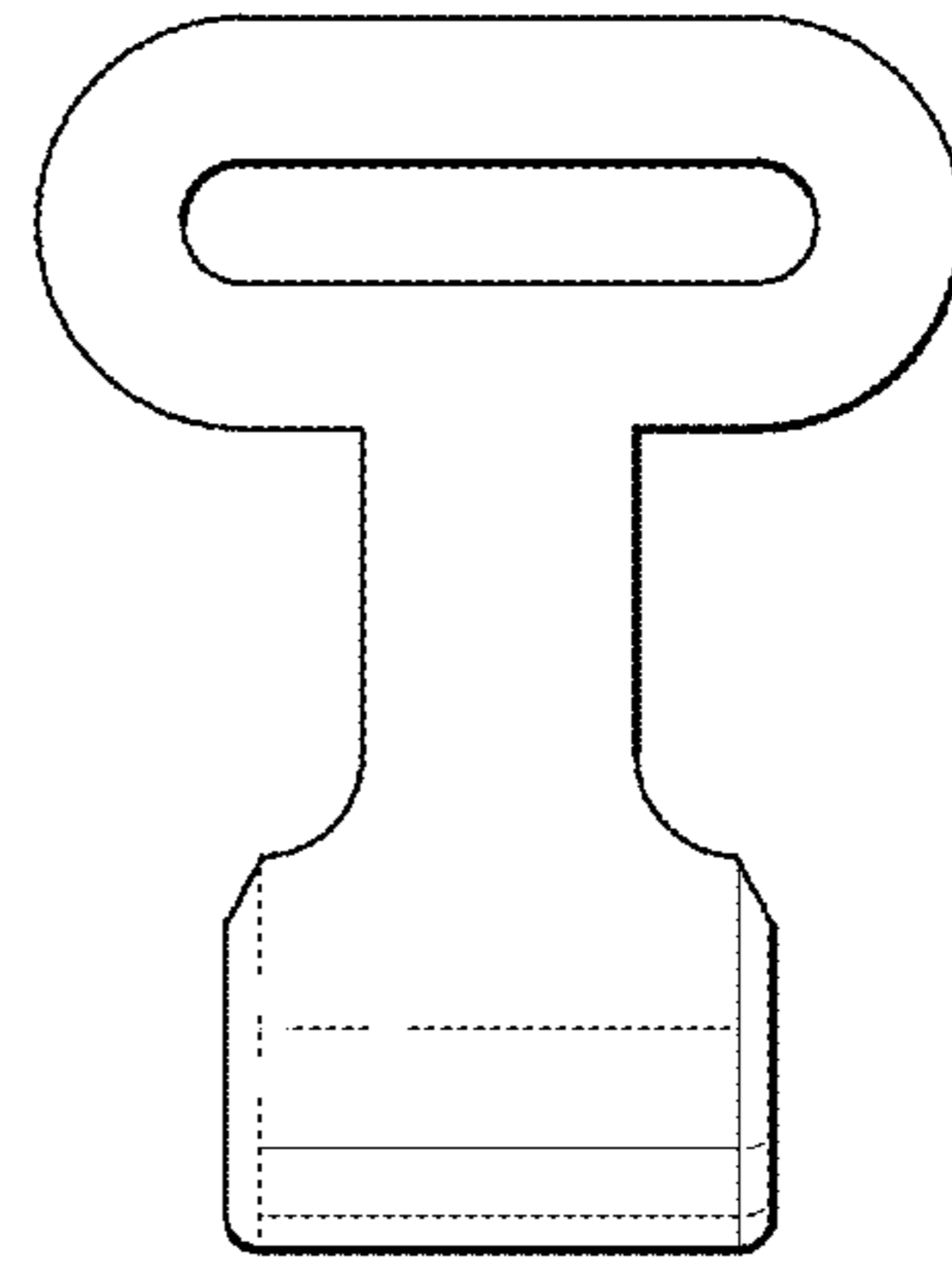


FIG. 6

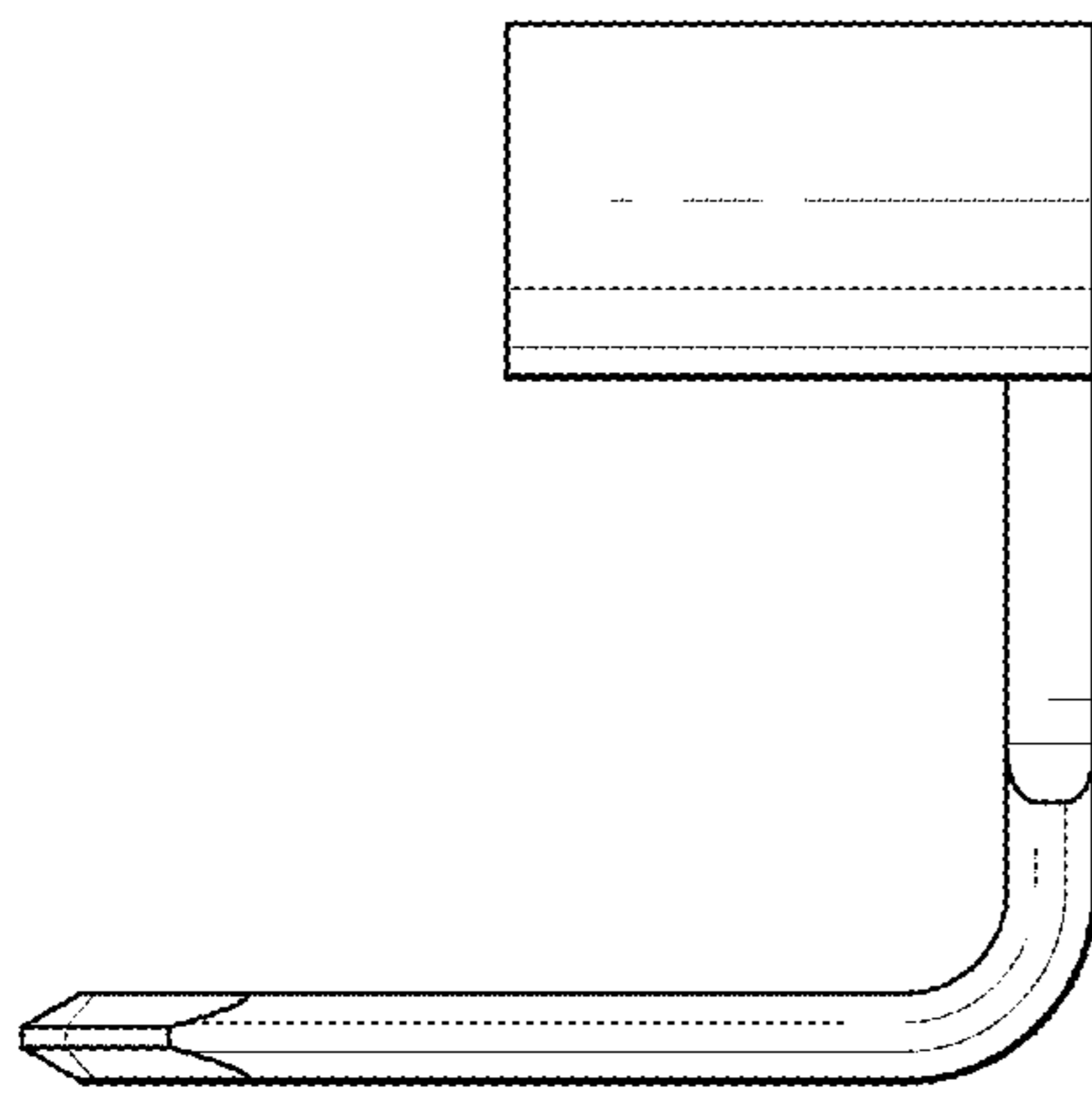


FIG. 7

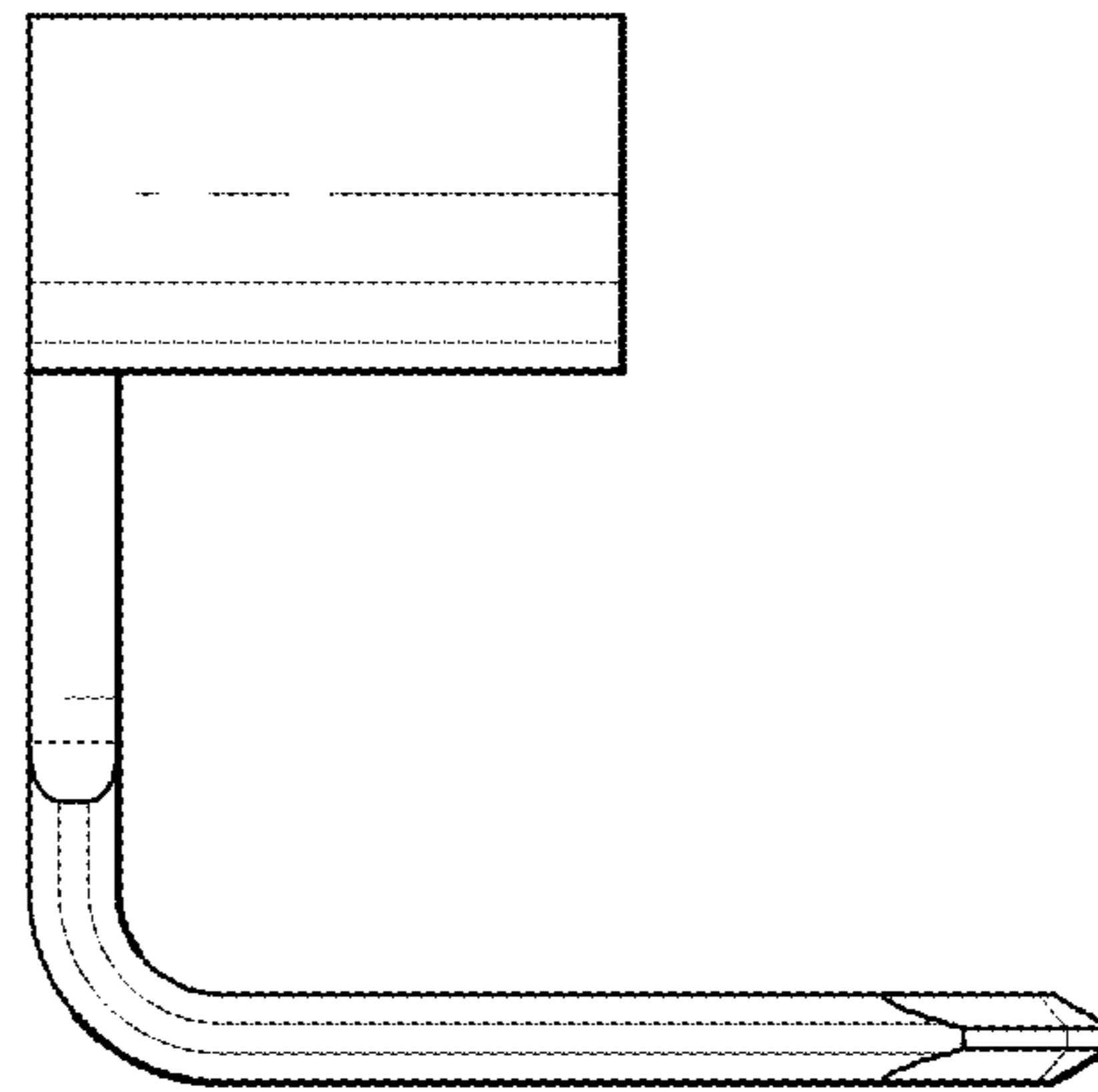


FIG. 8

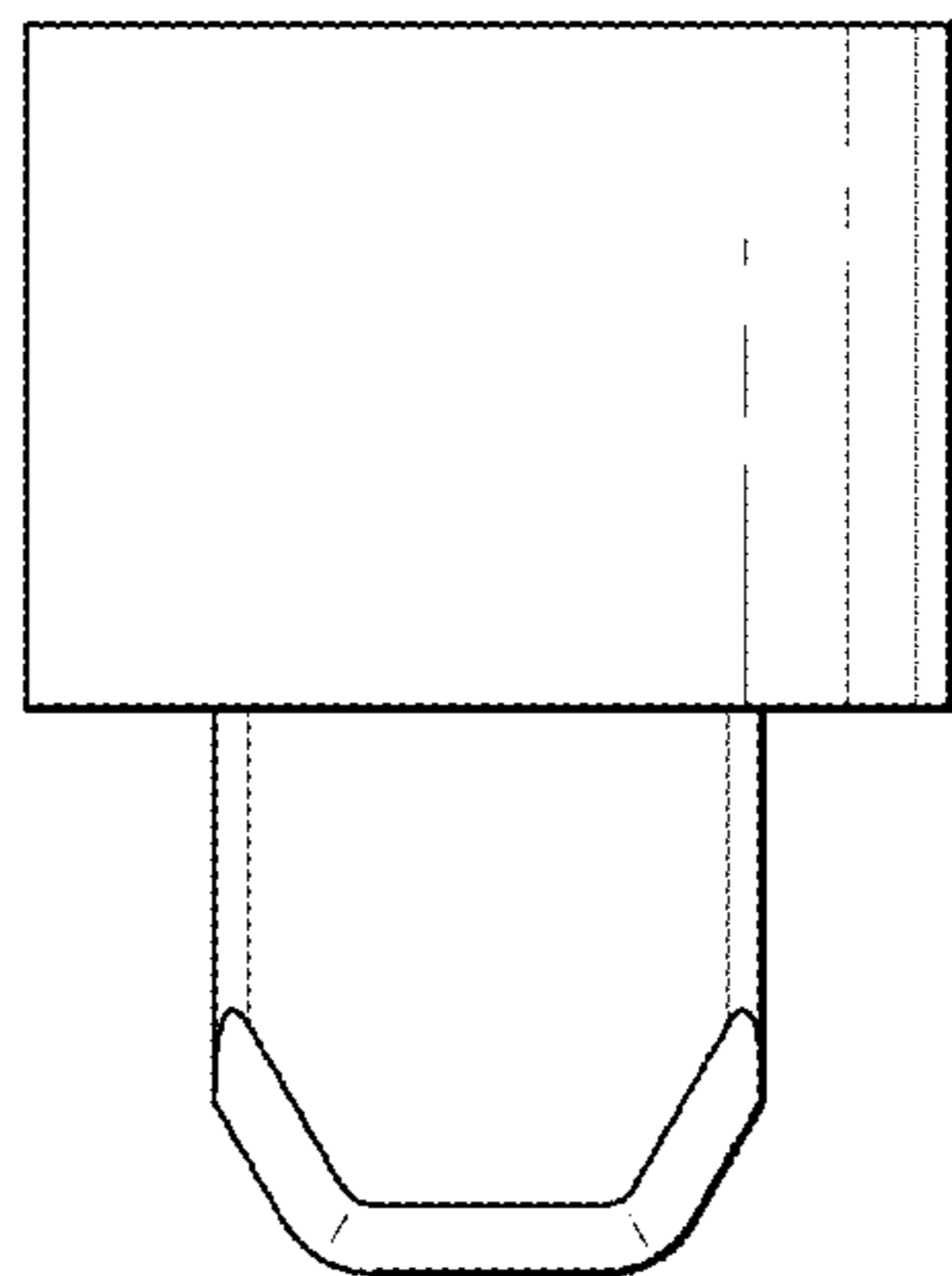


FIG. 9

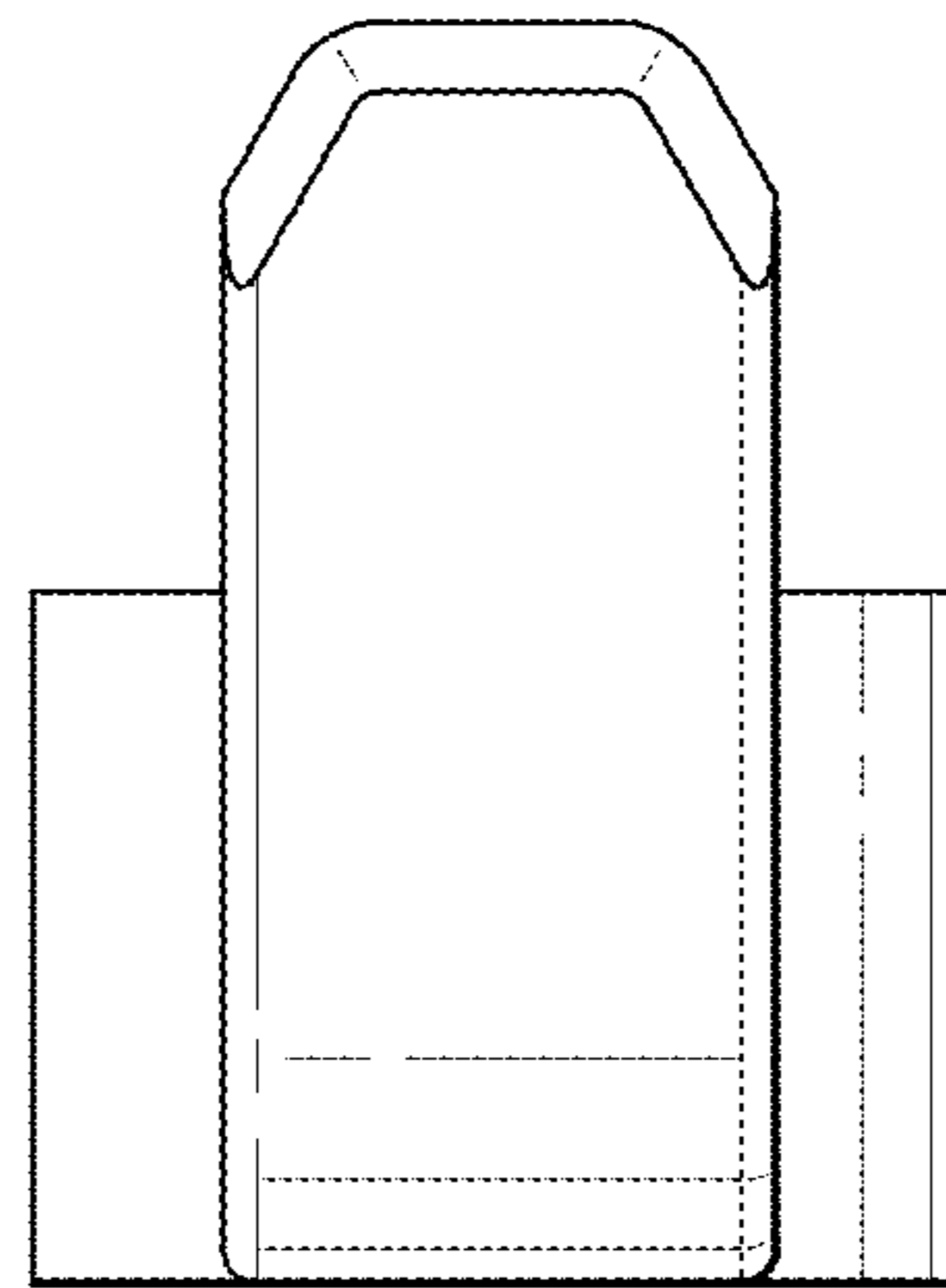


FIG. 10