



US00D966509S

(12) **United States Design Patent** (10) **Patent No.:** **US D966,509 S**
Behrendt et al. (45) **Date of Patent:** **** Oct. 11, 2022**

(54) **DEVICE HOUSING**
(71) Applicant: **KARL STORZ SE & Co. KG**,
Tuttlingen (DE)
(72) Inventors: **Kay Behrendt**, Tuttlingen (DE); **Theo Wolf**, Münster (DE); **Daniel Müllenmeister**, Münster (DE)
(73) Assignee: **KARL STORZ SE & CO. KG**,
Tuttlingen (DE)
(**) Term: **15 Years**
(21) Appl. No.: **29/753,222**
(22) Filed: **Sep. 30, 2020**
(51) **LOC (13) Cl.** **24-02**
(52) **U.S. Cl.**
USPC **D24/138**
(58) **Field of Classification Search**
USPC D24/107, 185, 186, 231, 232, 137, 138,
D24/209, 210
CPC ... A61B 1/0125; A61B 1/0655; A61B 1/0661;
A61B 1/0684; G02B 23/2484
See application file for complete search history.

2015/0212312 A1* 7/2015 Hopkins A61B 1/0661
250/504 R
2016/0353984 A1* 12/2016 Shirota A61B 1/0669
2021/0164642 A1* 6/2021 Yoshida G02B 23/24

FOREIGN PATENT DOCUMENTS

CN 201830010346 * 9/2018
* cited by examiner

Primary Examiner — Anhdao Doan
(74) *Attorney, Agent, or Firm* — Eversheds Sutherland
(US) LLP

(57) **CLAIM**

The ornamental design for a device housing, as shown and described.

DESCRIPTION

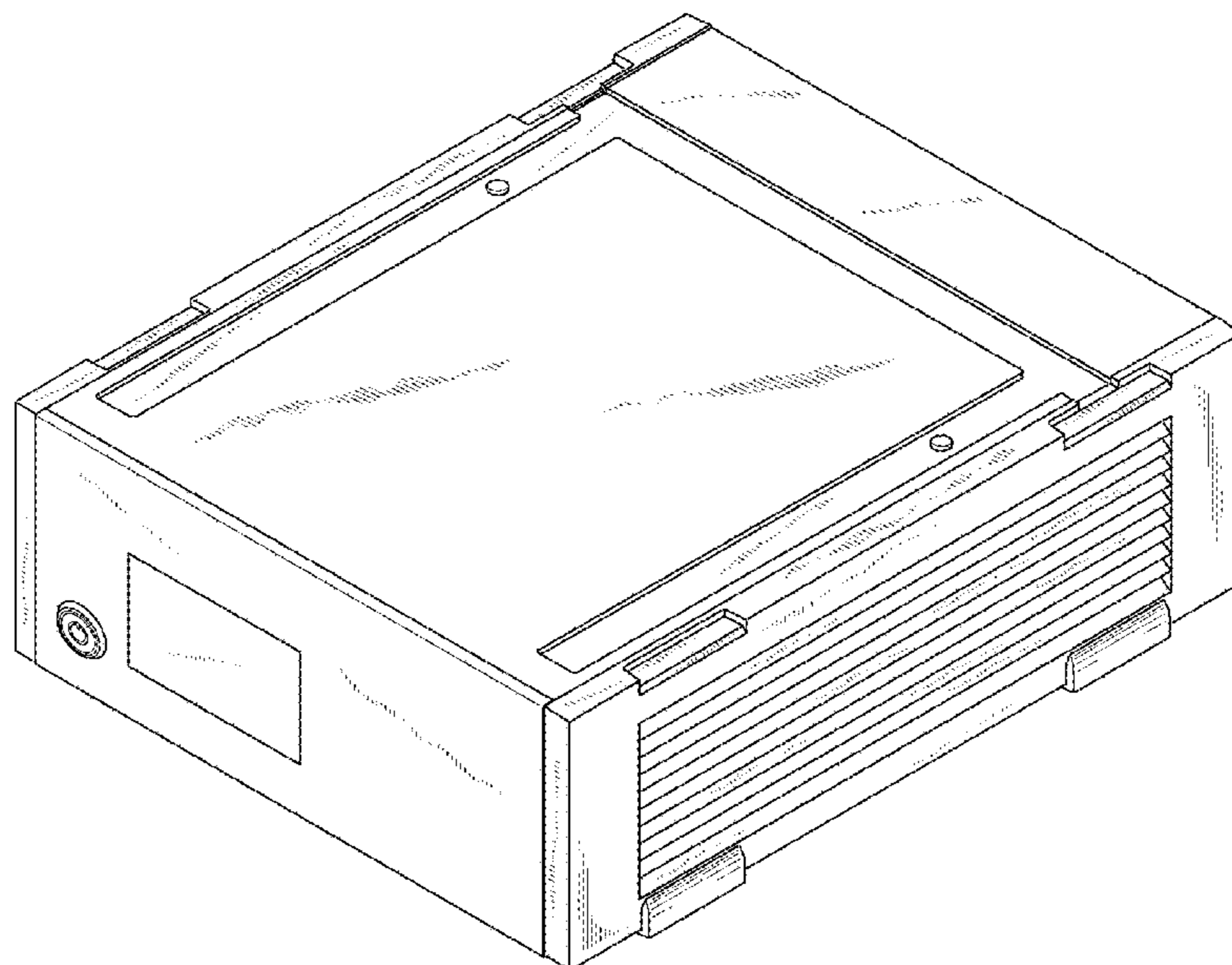
FIG. 1 is a perspective view of a device housing showing our new design;
FIG. 2 is a left side view thereof;
FIG. 3 is a right side view thereof;
FIG. 4 is a front view thereof;
FIG. 5 is a rear view thereof;
FIG. 6 is a top view thereof; and,
FIG. 7 is a bottom view thereof;
FIG. 8 is a perspective view of a second embodiment of a device housing showing our new design;
FIG. 9 is a left side view thereof;
FIG. 10 is a right side view thereof;
FIG. 11 is a front view thereof;
FIG. 12 is a rear view thereof;
FIG. 13 is a top view thereof; and,
FIG. 14 is a bottom view thereof.
The broken lines illustrate portions of the device housing that form no part of the claimed design.
The unshaded surface in FIGS. 7 and 14 form no part of the claimed design.

(56) **References Cited**

U.S. PATENT DOCUMENTS

D629,112 S * 12/2010 Immekus D24/186
D672,470 S * 12/2012 Rebholz D24/138
D715,933 S * 10/2014 Mirrer D24/138
D719,259 S * 12/2014 Shimobayashi D24/138
D728,776 S * 5/2015 Rogers D24/107
D784,533 S * 4/2017 Hayamizu D24/138
D808,014 S * 1/2018 Kang D24/138
D840,536 S * 2/2019 Clifford D24/185
D846,745 S * 4/2019 Clifford D24/185
2009/0062617 A1* 3/2009 Mizuyoshi A61B 1/0653
600/178

1 Claim, 14 Drawing Sheets



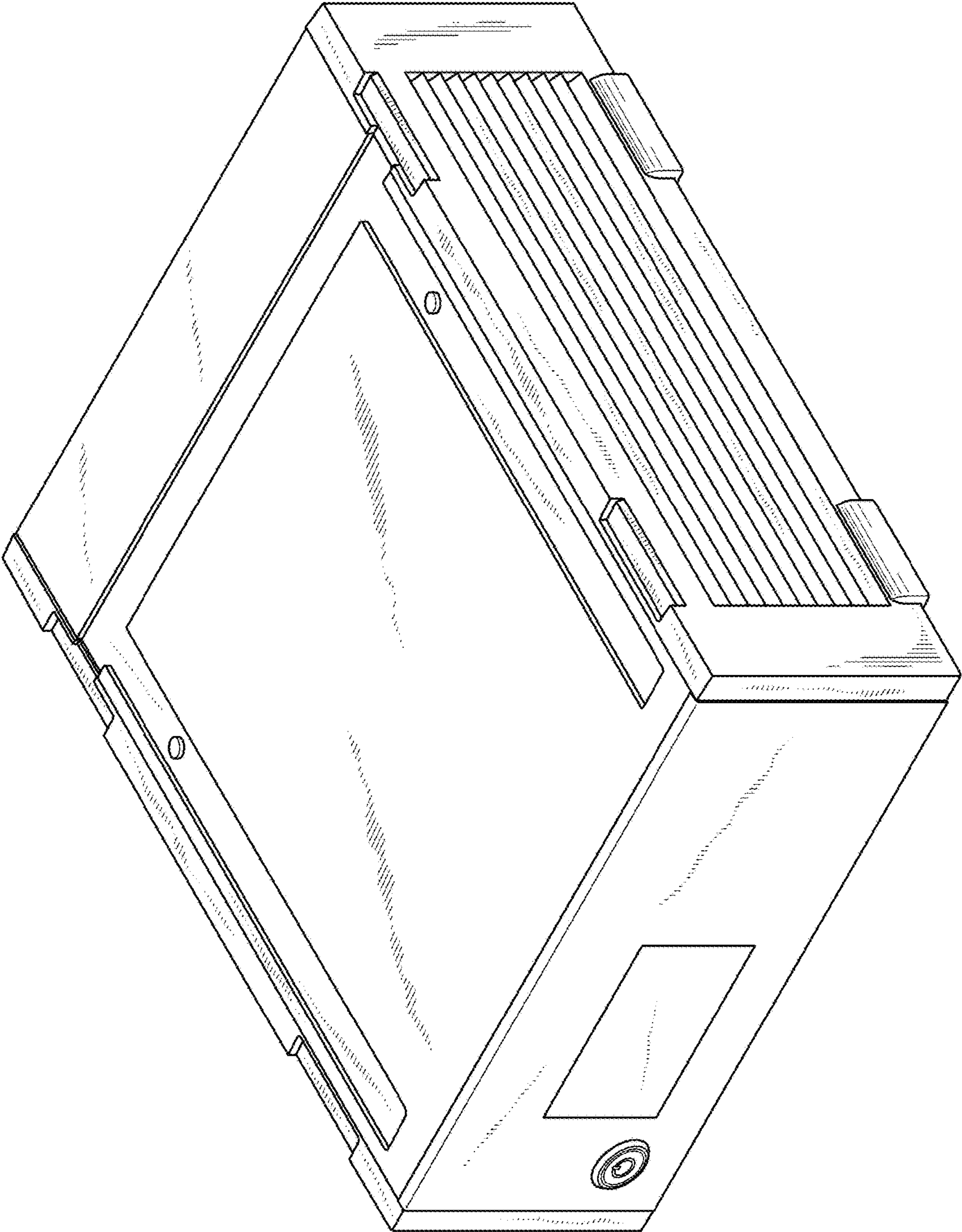


FIG. 1

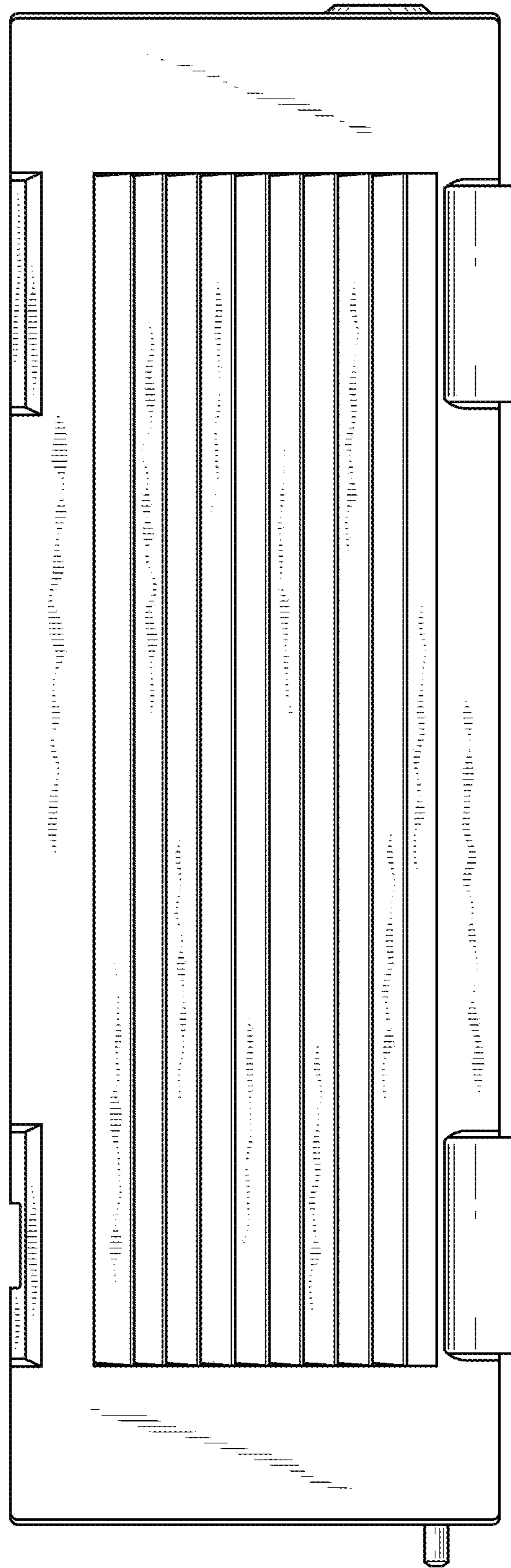


FIG. 2

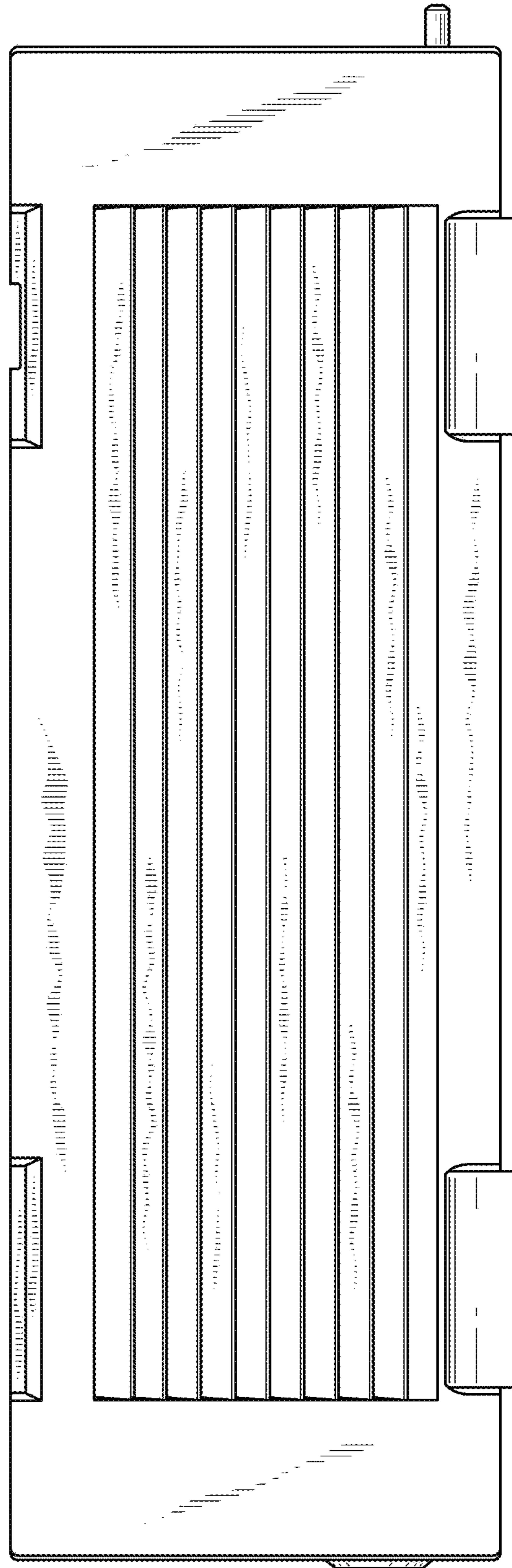


FIG. 3

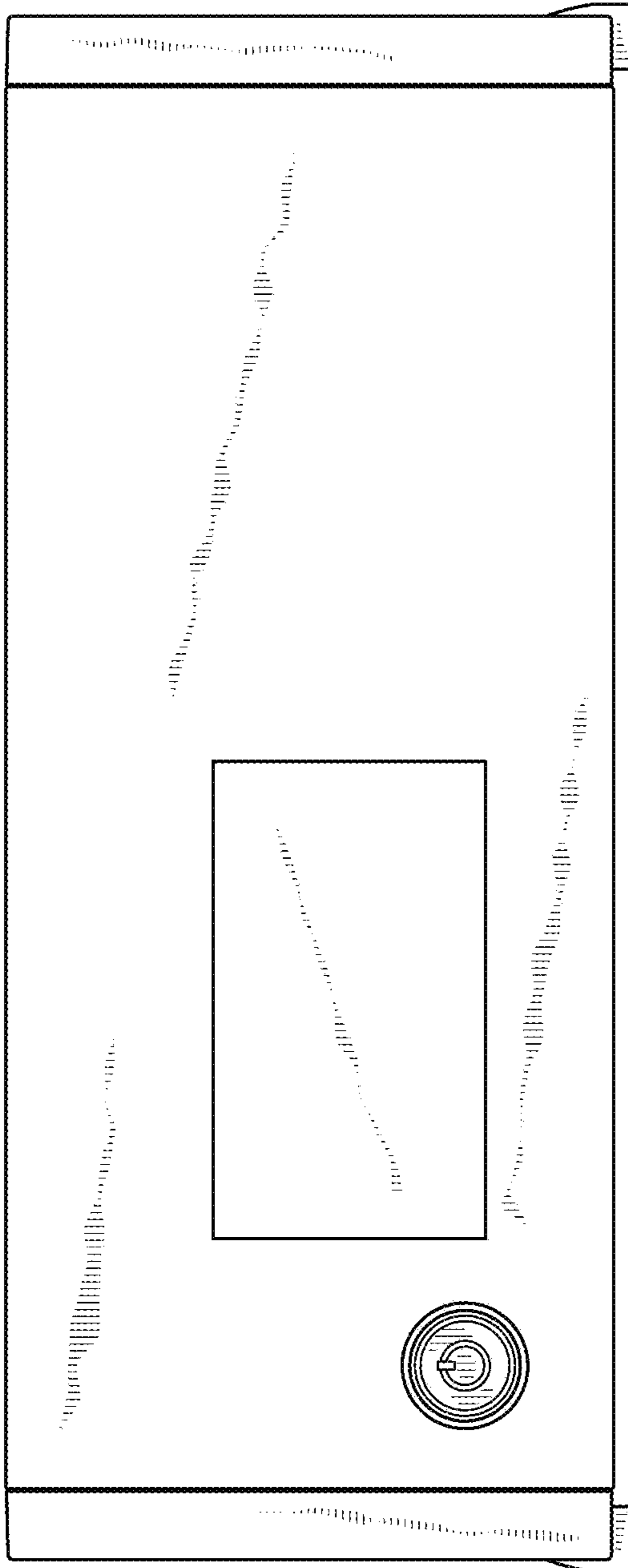


FIG. 4

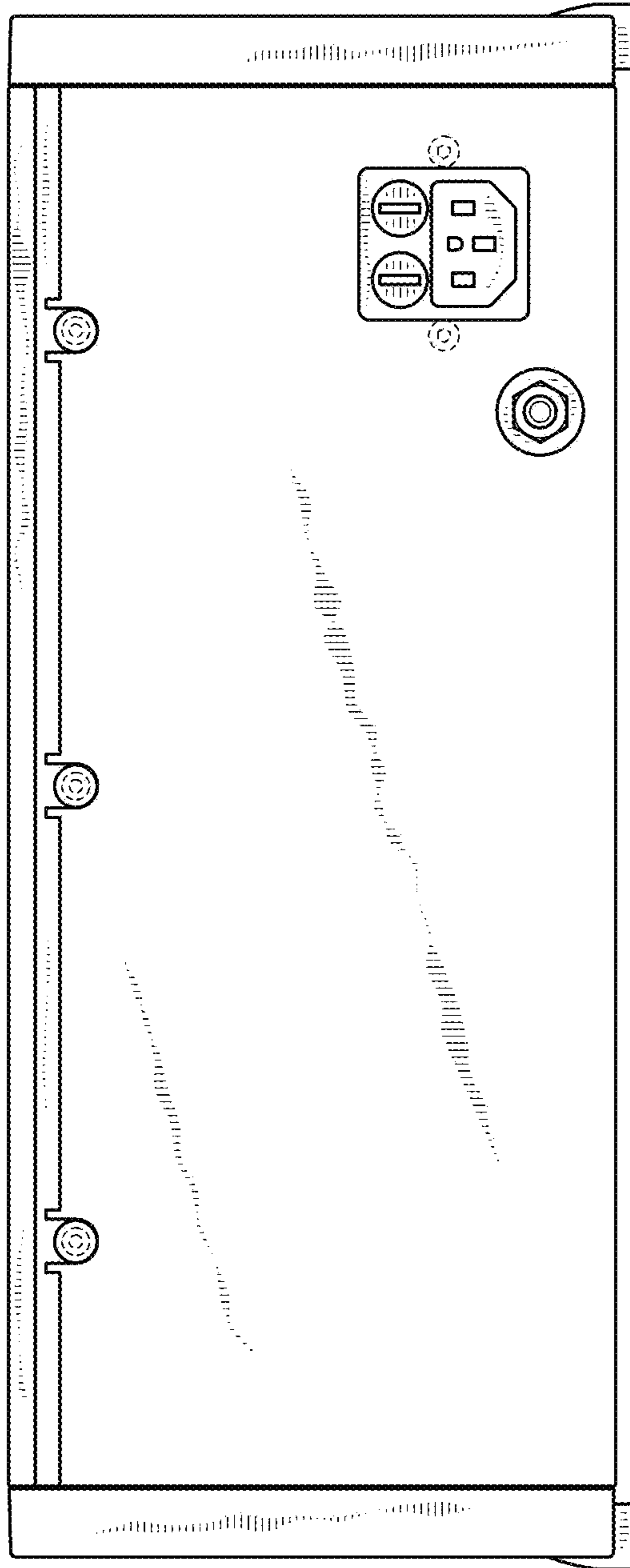


FIG. 5

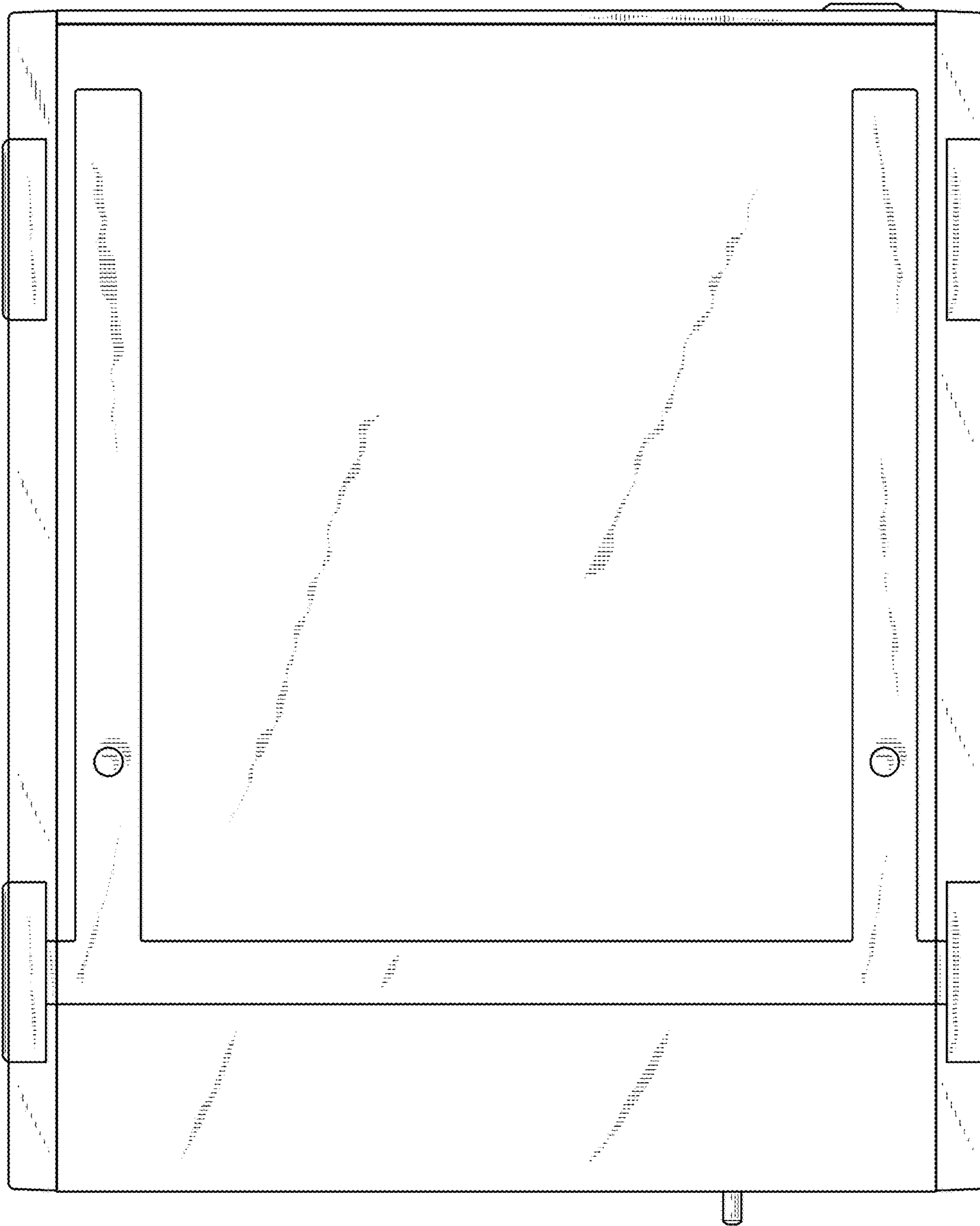


FIG. 6

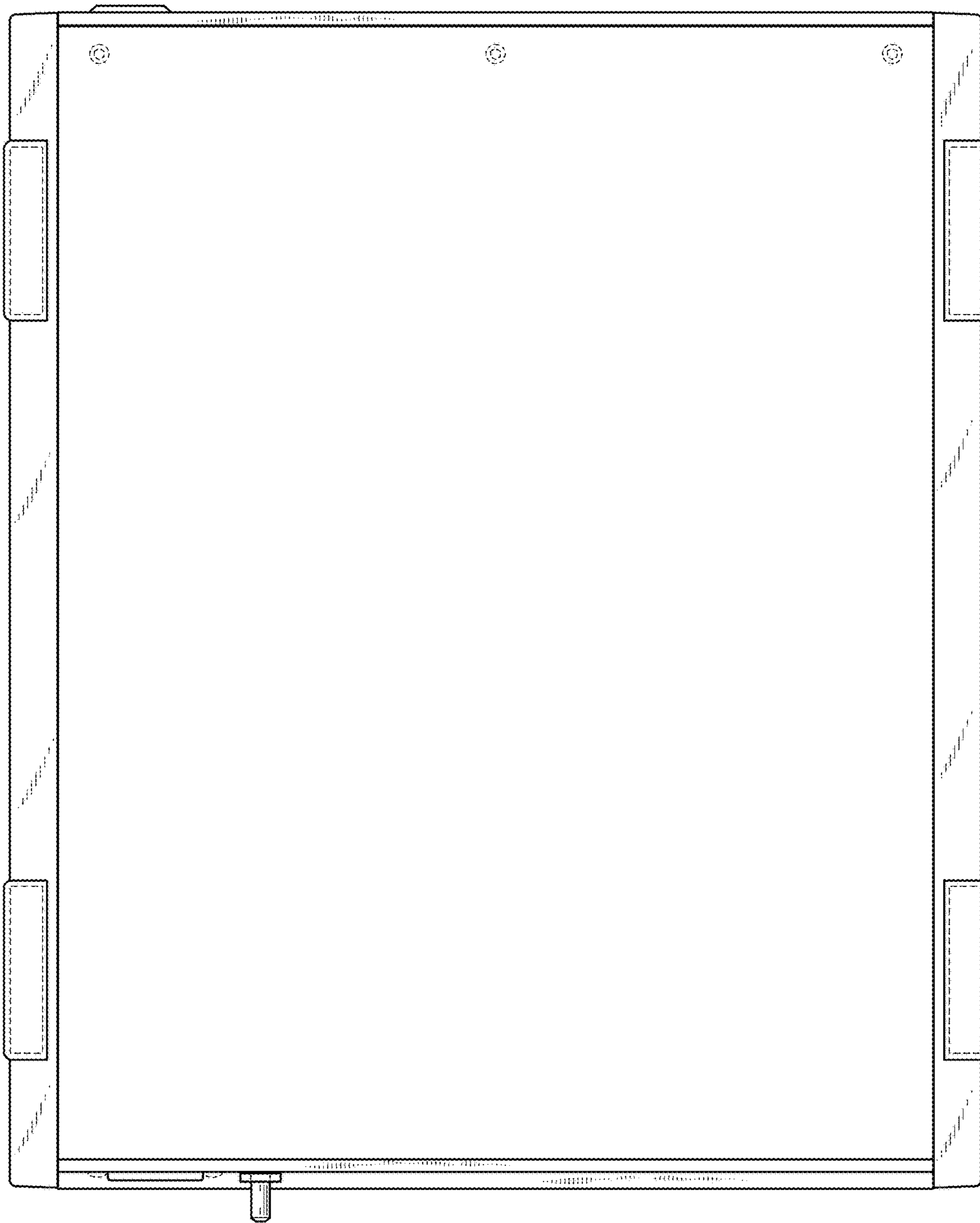


FIG. 7

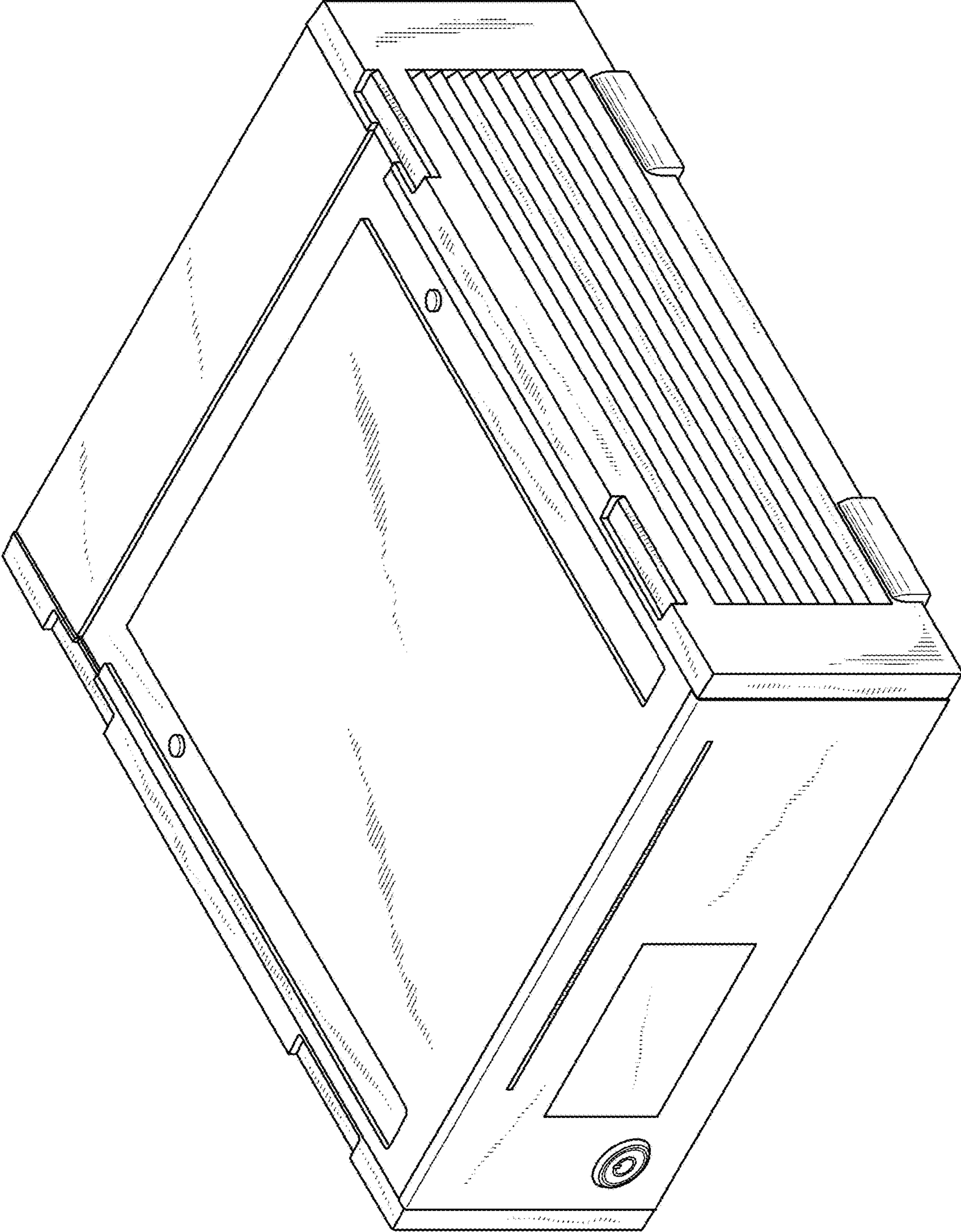


FIG. 8

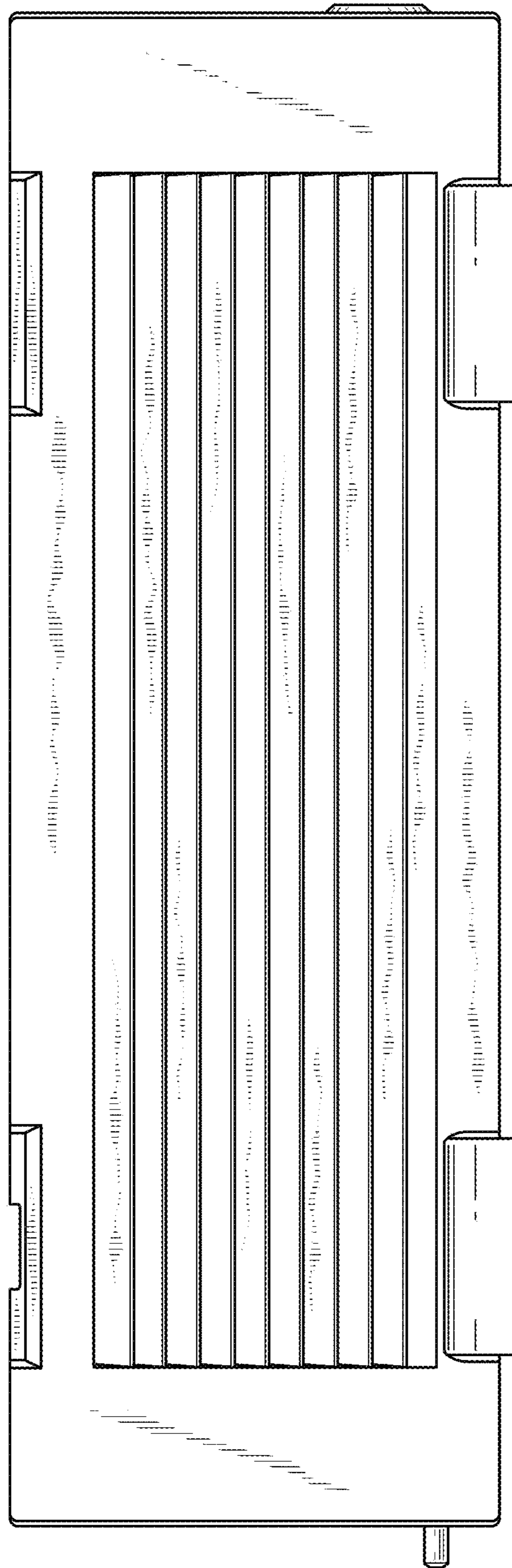


FIG. 9

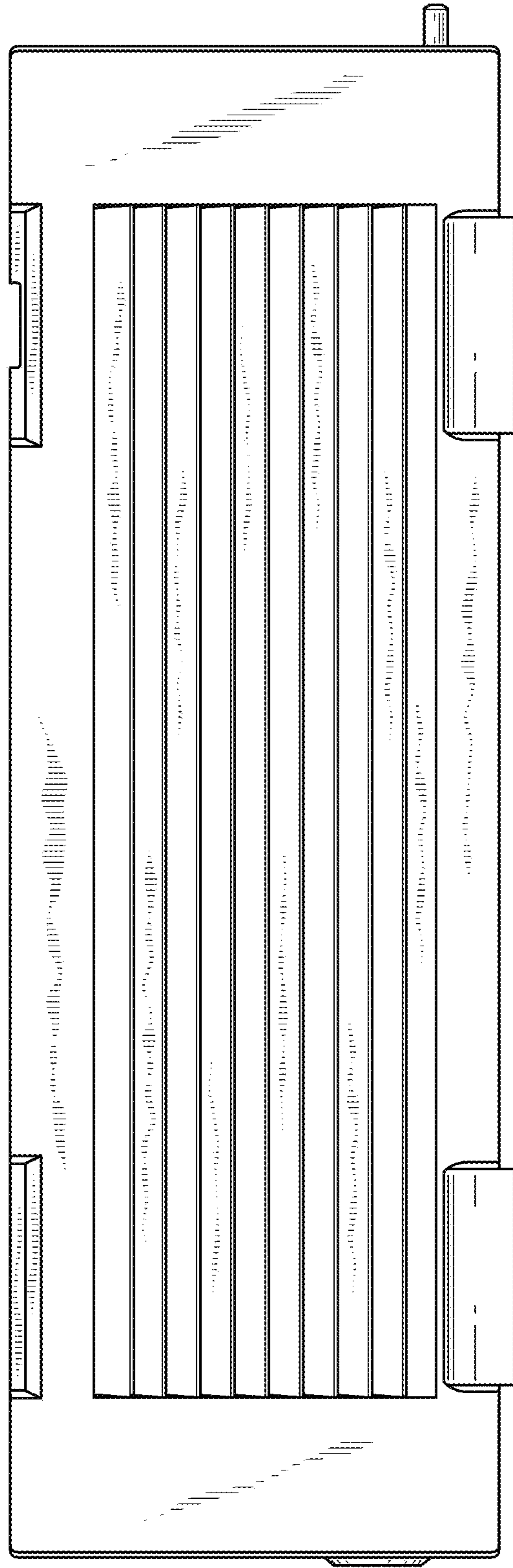


FIG. 10

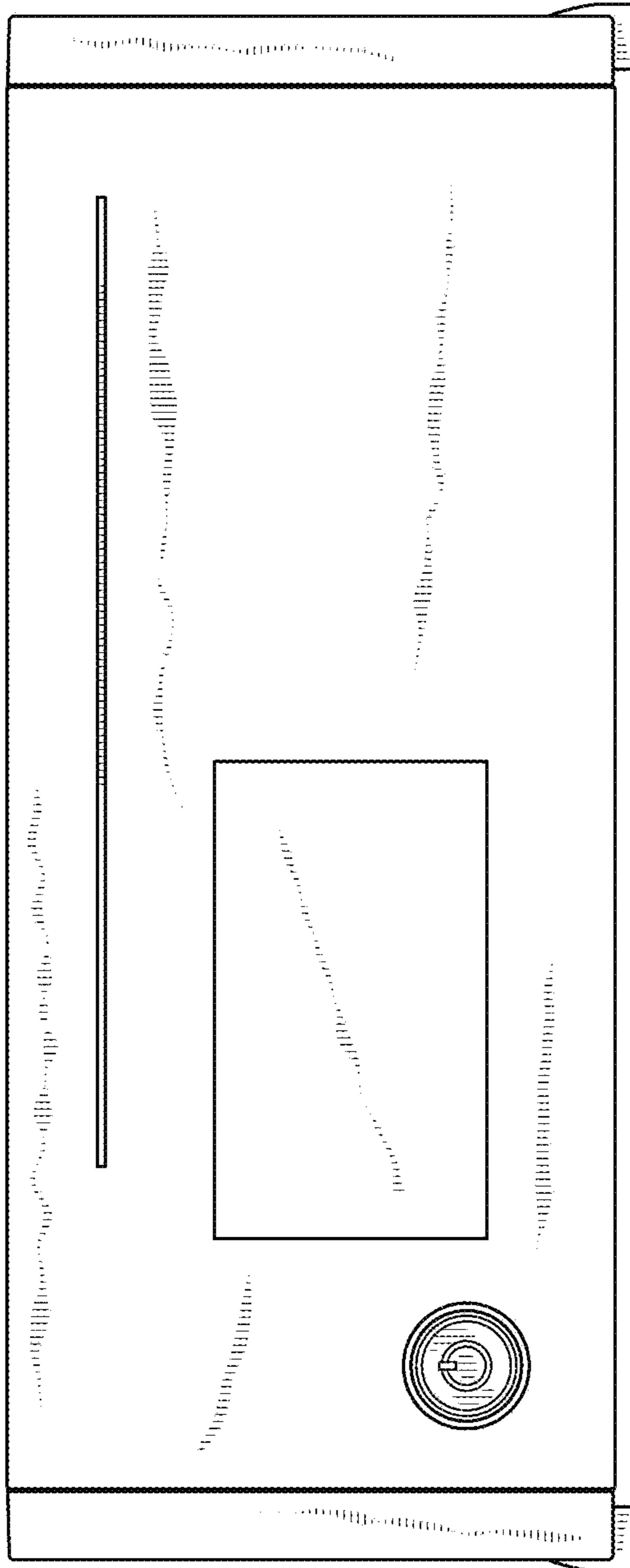


FIG. 11

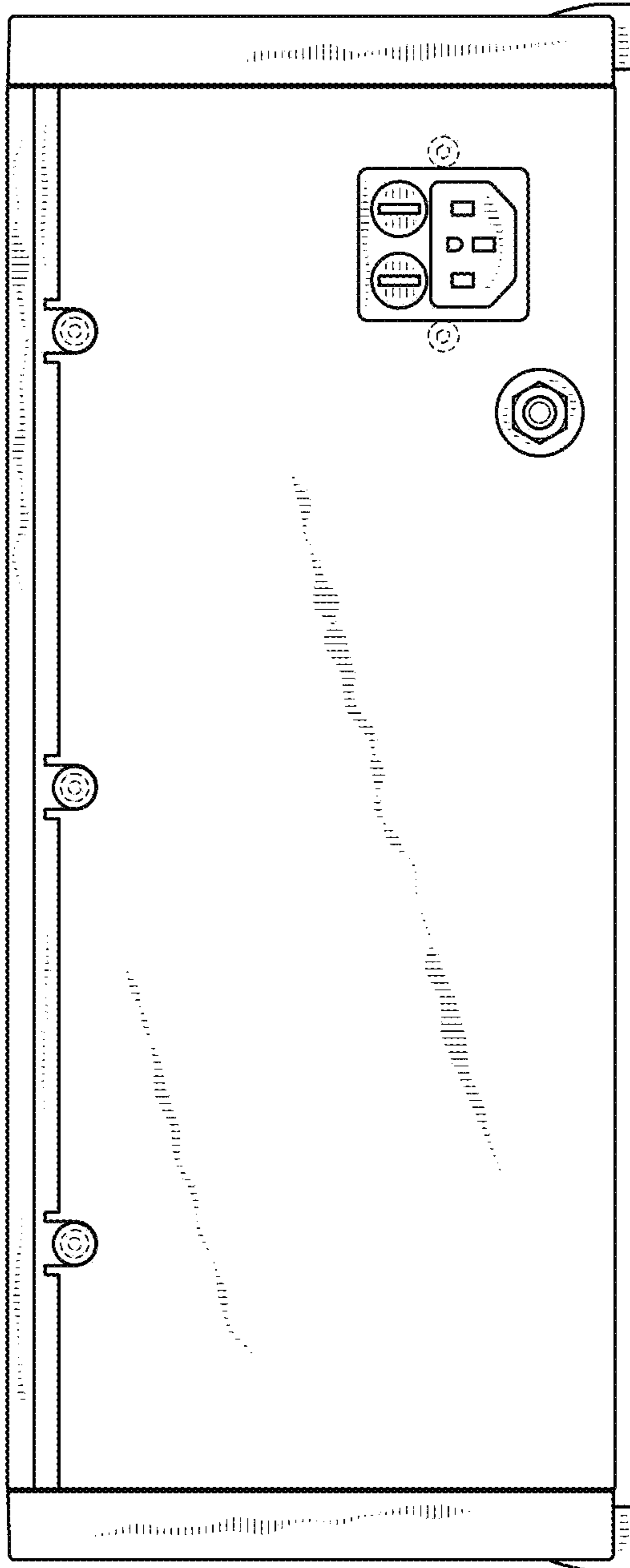


FIG. 12

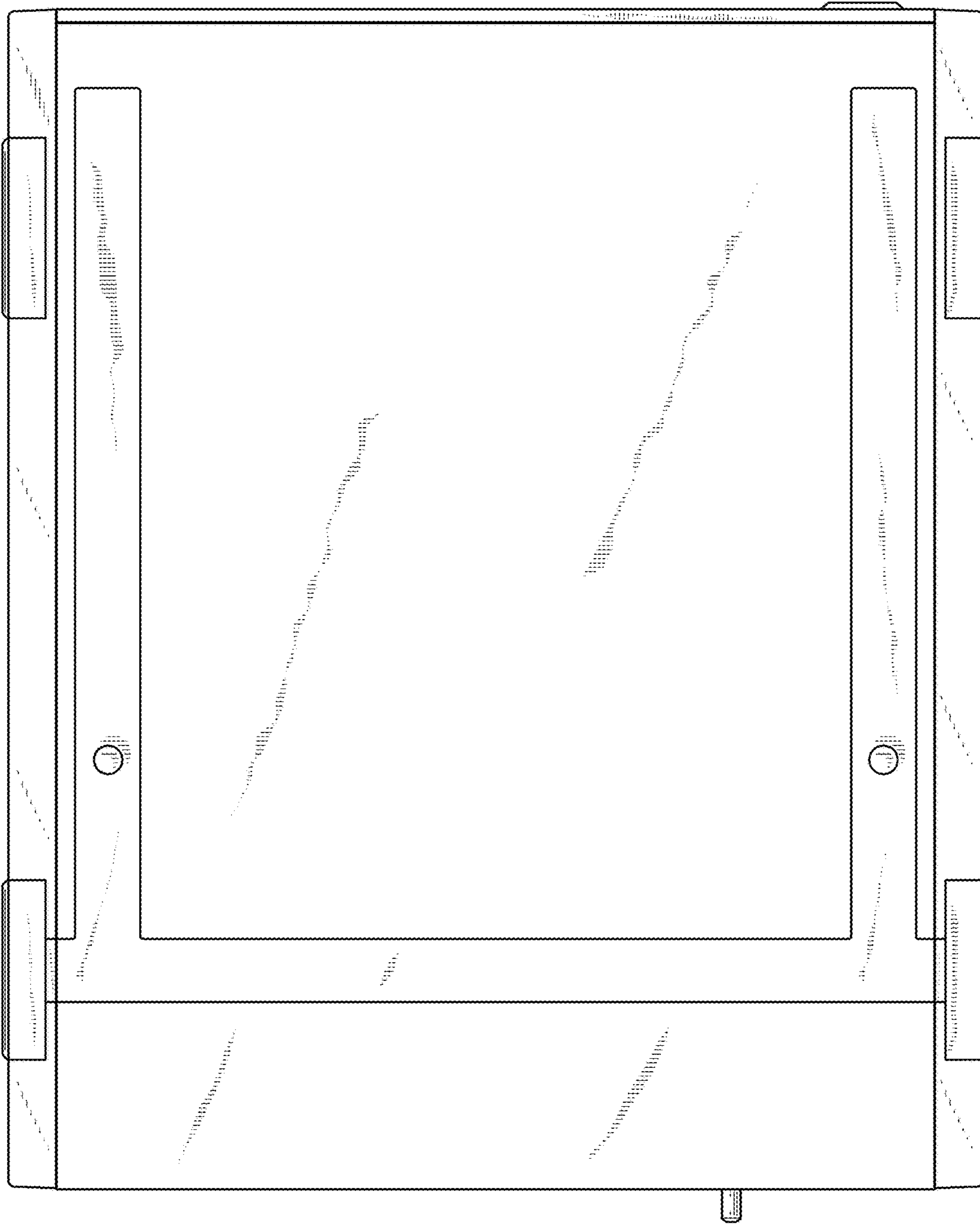


FIG. 13

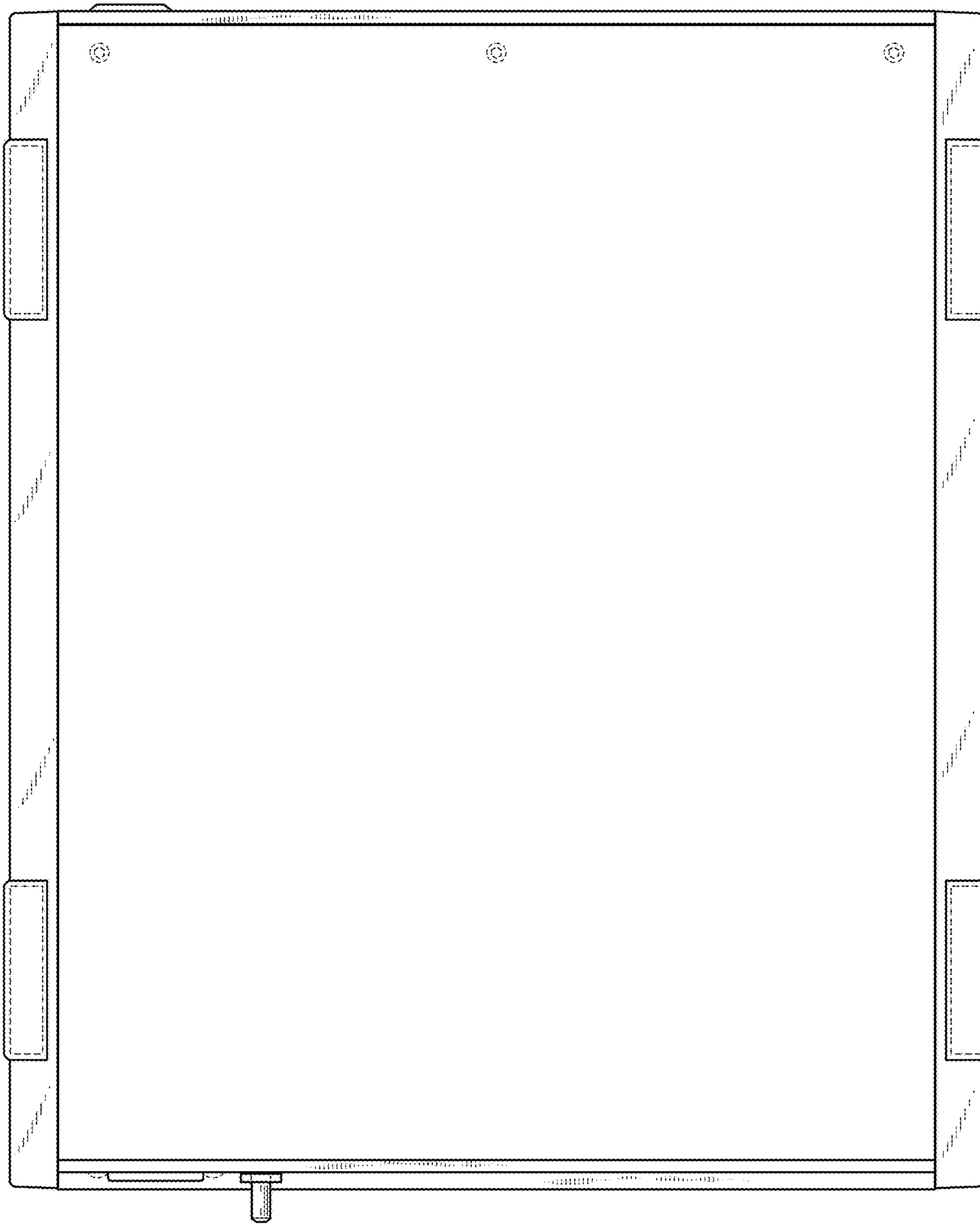


FIG. 14