



US00D966508S

(12) **United States Design Patent**
Sun

(10) **Patent No.:** **US D966,508 S**

(45) **Date of Patent:** **** Oct. 11, 2022**

- (54) **OTOSCOPE PROTECTIVE CAP**
- (71) Applicant: **Yingjie Sun**, Irvine, CA (US)
- (72) Inventor: **Yingjie Sun**, Irvine, CA (US)
- (**) Term: **15 Years**
- (21) Appl. No.: **29/652,072**
- (22) Filed: **Apr. 30, 2020**
- (51) **LOC (13) Cl.** **24-02**
- (52) **U.S. Cl.**
USPC **D24/137**
- (58) **Field of Classification Search**
USPC D24/135, 137, 138, 150, 172
CPC A61B 1/227; A61B 1/2275; A61B 1/32;
A61B 5/6817
See application file for complete search history.

- 2,292,237 A * 8/1942 Parcher A61B 1/227
174/17.05
- D139,496 S * 11/1944 Ellis D24/137
- 2,514,665 A * 7/1950 Myller A61B 10/0291
600/570
- D166,842 S * 5/1952 Armbruster D24/137
- D170,744 S * 11/1953 Burrett D24/137
- 2,683,450 A * 7/1954 Schenk A61B 1/227
600/200
- 2,797,684 A * 7/1957 Moore A61B 1/00142
600/203
- 3,110,304 A * 11/1963 Hartman A61B 1/227
606/160
- 3,146,775 A * 9/1964 Moore A61B 1/227
385/115
- 3,224,437 A * 12/1965 Hardgrove A61F 11/00
600/200
- D207,372 S * 4/1967 Pulos 600/200
- D216,234 S * 12/1969 Hotchkiss D24/138
- D221,109 S * 7/1971 Heine D24/137
- D222,925 S * 2/1972 Pulos D24/137

(Continued)

(56) **References Cited**

U.S. PATENT DOCUMENTS

- 376,601 A * 1/1888 Leiter A61B 1/227
600/200
- 1,062,698 A * 5/1913 De Zeng A61B 1/227
600/200
- 1,346,200 A * 7/1920 Harris A61B 1/227
600/200
- 1,595,378 A * 8/1926 Cameron A61B 1/233
600/246
- 1,618,970 A * 3/1927 De Zeng A61B 1/2275
359/803
- 1,636,463 A * 7/1927 De Zeng A61B 1/2275
600/200
- 2,039,546 A * 5/1936 McGerry A61B 1/2275
600/249
- 2,118,523 A * 5/1938 Pitman A61B 1/2275
600/179
- D130,601 S * 12/1941 Peck et al. D24/137
- D130,602 S * 12/1941 Peck et al. D24/150
- D131,163 S * 1/1942 Peck et al. D24/137

Primary Examiner — T Chase Nelson

Assistant Examiner — Kelly L Gross

(74) *Attorney, Agent, or Firm* — Dunlap Bennett & Ludwig, PLLC

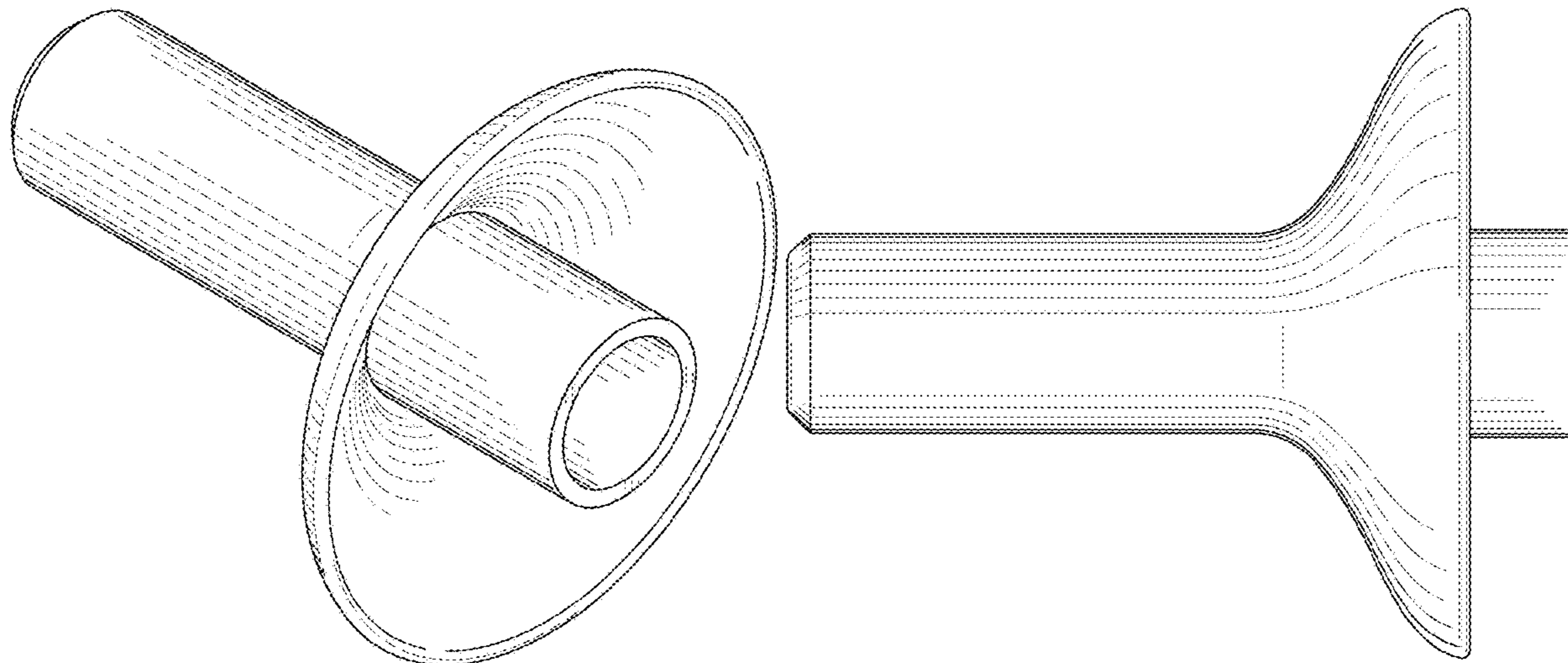
(57) **CLAIM**

The ornamental design for an otoscope protective cap, as shown and described.

DESCRIPTION

FIG. 1 is a perspective view of an otoscope protective cap, showing my new design; FIG. 2 is a front elevation view thereof, the rear elevation view being a mirror image thereof, and the left and right elevation views are identical to the front elevation view; FIG. 3 is a top plan view thereof; and, FIG. 4 is a bottom plan view thereof.

1 Claim, 3 Drawing Sheets



(56)

References Cited

U.S. PATENT DOCUMENTS

3,848,587 A * 11/1974 McDonald A61B 1/07
600/187
3,878,836 A * 4/1975 Twentier A61B 1/00142
374/E1.013
D238,006 S * 12/1975 Anderson D24/112
D238,099 S * 12/1975 Pulos D24/151
D239,330 S * 3/1976 Shea, Jr. D24/173
3,949,740 A * 4/1976 Twentier A61B 1/00142
374/E1.013
4,122,841 A * 10/1978 Rock A61B 5/12
128/864
4,264,167 A * 4/1981 Plummer G03B 17/48
396/17
D278,554 S * 4/1985 Bain D24/137
D286,814 S * 11/1986 Brainard, II 600/200
D288,960 S * 3/1987 Riester D24/137
D289,197 S * 4/1987 Ware D24/137
D303,008 S * 8/1989 O'Hara D24/135
D325,630 S * 4/1992 Feinbloom D24/137
D333,702 S * 3/1993 Hufman D24/135
D345,793 S * 4/1994 Dorsey D24/135
D360,261 S * 7/1995 Swanson D24/135
D374,077 S * 9/1996 Butler D24/137
D377,393 S * 1/1997 Sams D24/137
D406,339 S * 3/1999 Stacks D24/137
D421,123 S * 2/2000 Kugler D24/137
D423,668 S * 4/2000 Coe D24/137
D436,173 S * 1/2001 Hemon D24/137
D439,335 S * 3/2001 Walls D24/137
6,210,358 B1 * 4/2001 Roger A61B 1/227
604/257
6,253,871 B1 * 7/2001 Aceti H04R 25/652
381/328
6,393,431 B1 * 5/2002 Salvati A61B 1/00052
6,484,842 B1 * 11/2002 Widmer H04R 25/658
181/129
6,773,380 B2 * 8/2004 Stein A63B 23/20
482/121
D520,137 S * 5/2006 Melendez D24/135
D566,270 S * 4/2008 Strom D24/137

7,354,399 B2 * 4/2008 Strom A61B 1/227
600/200
D594,555 S * 6/2009 Hsu D24/137
D635,256 S * 3/2011 Huang D24/151
D636,080 S * 4/2011 Goldberg A61B 1/00087
D24/137
8,136,986 B2 * 3/2012 Lane A61B 1/227
600/184
8,374,683 B2 * 2/2013 Stone A61B 5/0059
600/184
D709,191 S * 7/2014 Wood D24/137
D709,192 S * 7/2014 Czupalla D24/138
D760,895 S * 7/2016 McMahan D24/137
D775,736 S * 1/2017 McCafferty A61B 1/227
D24/172
D776,809 S * 1/2017 Vallee D24/137
D779,665 S * 2/2017 Hasbun D24/135
D802,129 S * 11/2017 Im D24/137
D802,130 S * 11/2017 Im D24/137
D842,991 S * 3/2019 Cable, Jr. D24/135
D882,081 S * 4/2020 Sun A61B 1/00142
D24/137
D894,383 S * 8/2020 Berbee D24/137
D924,397 S * 7/2021 Lalli D24/135
D925,037 S * 7/2021 Zurcher D24/150
2002/0193665 A1 * 12/2002 Jones A61B 1/00105
600/200
2006/0079924 A1 * 4/2006 Sanders A61B 1/303
606/192
2006/0287583 A1 * 12/2006 Mangiardi A61B 1/32
600/210
2008/0123717 A1 * 5/2008 Lane A61B 1/227
374/209
2011/0295073 A1 * 12/2011 Truong A61B 1/227
600/187
2012/0059224 A1 * 3/2012 Wellen A61B 1/2275
600/200
2015/0018621 A1 * 1/2015 Wellen A61B 1/227
600/200
2018/0125346 A1 * 5/2018 Shelton A61B 1/2275
2019/0380648 A1 * 12/2019 Kirszenblat A61B 5/02125
2021/0068646 A1 * 3/2021 Zhang A61B 1/32
2021/0137740 A1 * 5/2021 Kanemaru A61B 1/00087
2021/0220179 A1 * 7/2021 Rebella A61B 1/227

* cited by examiner

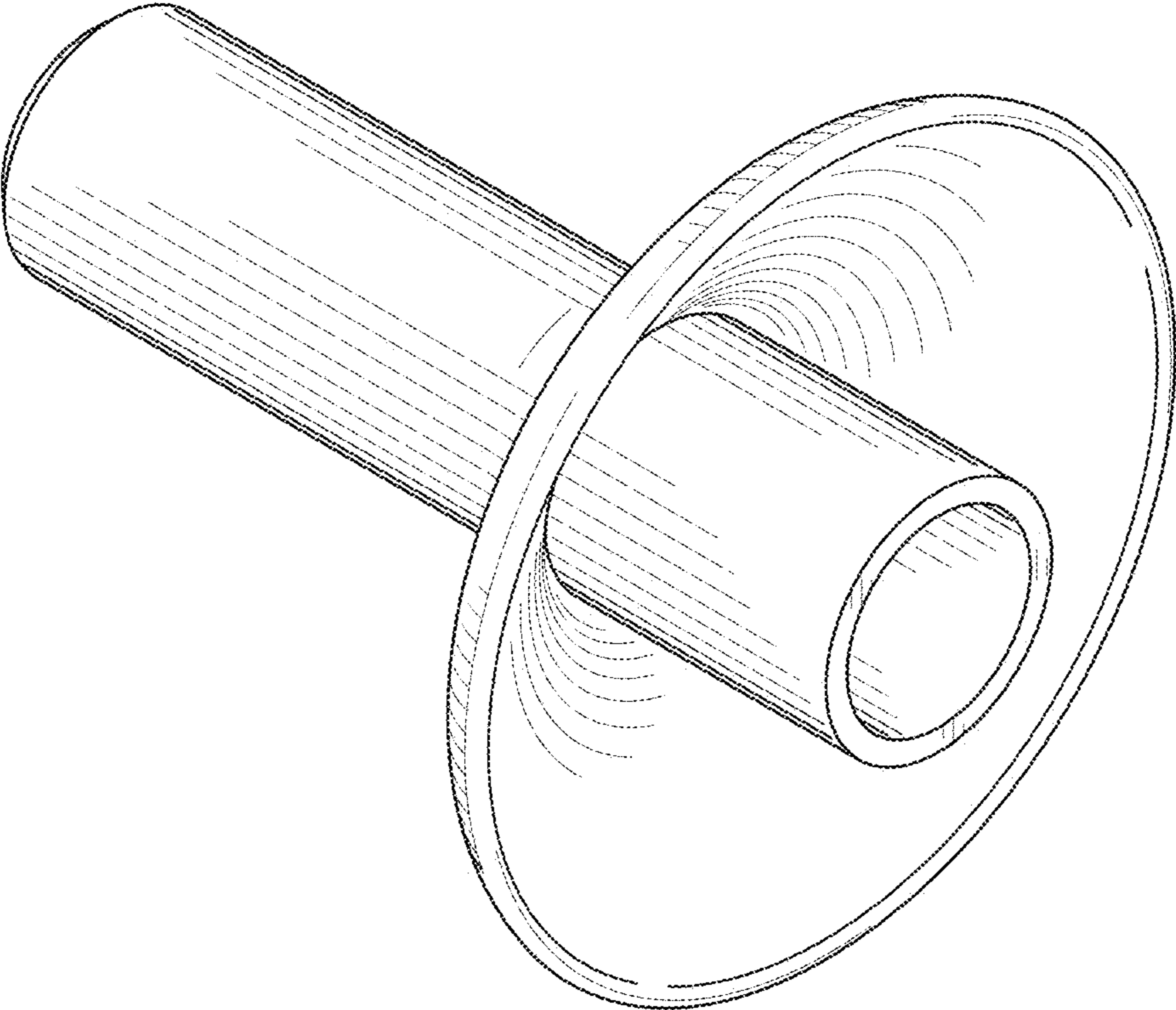


FIG.1

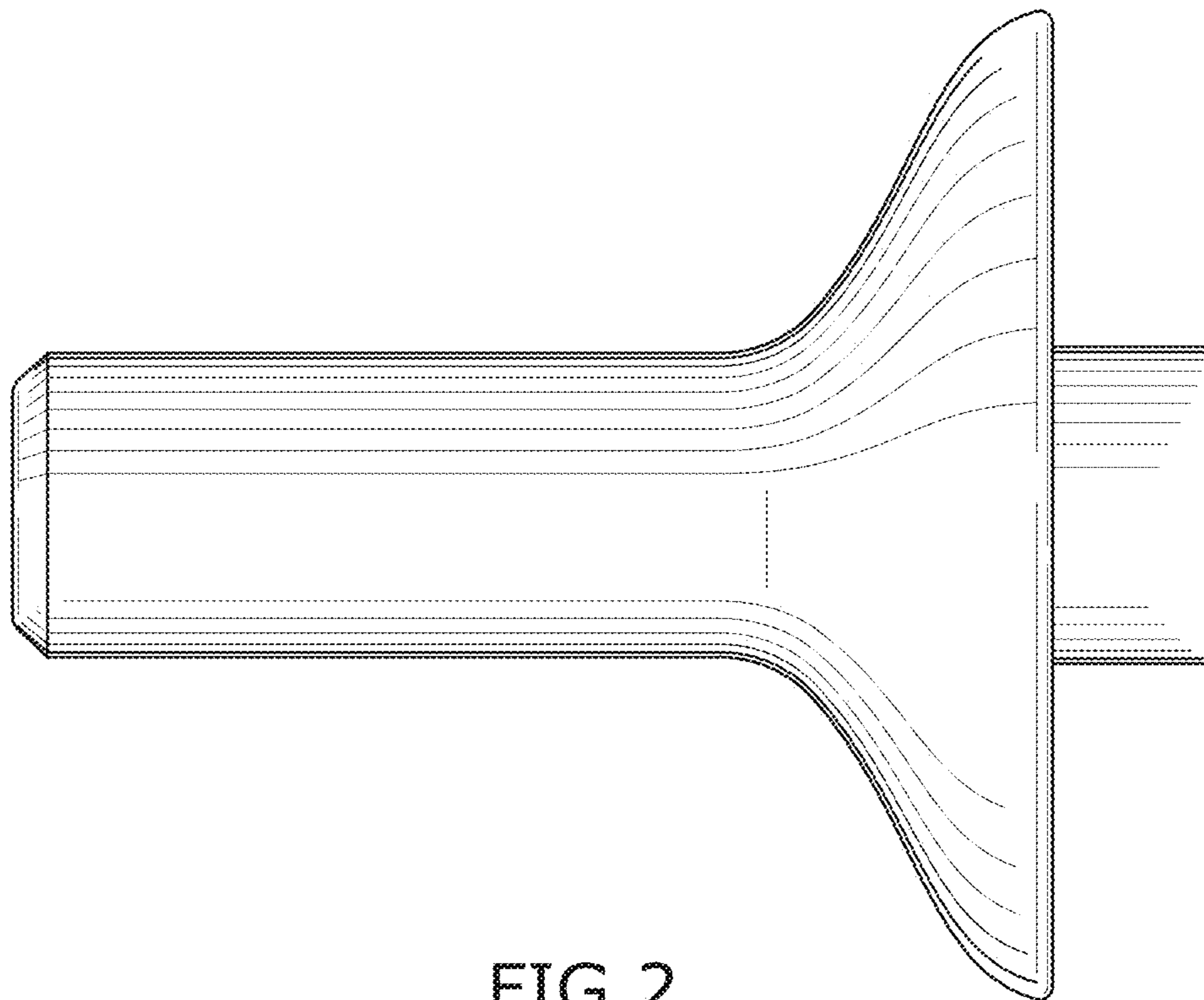


FIG.2

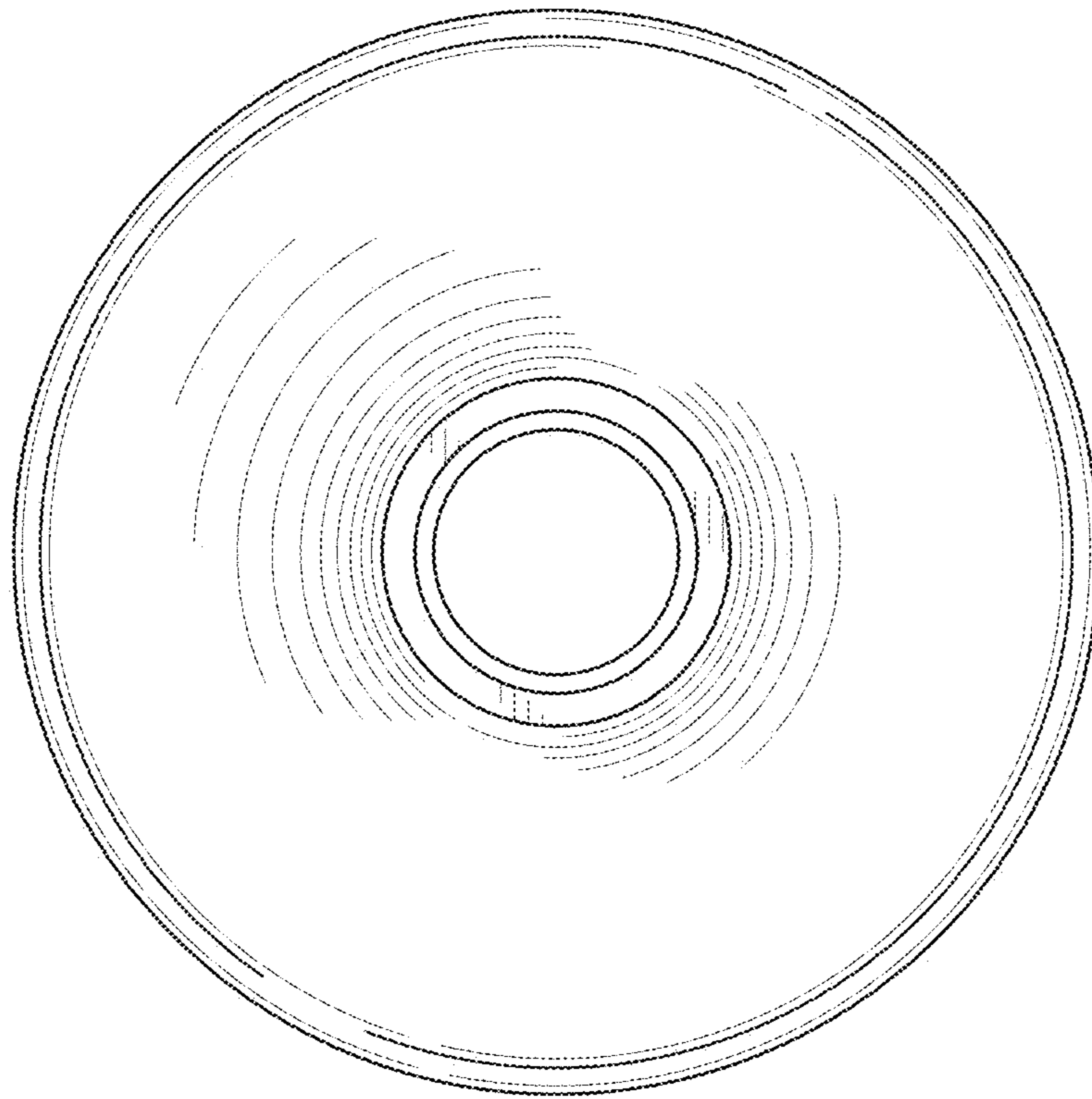


FIG. 3

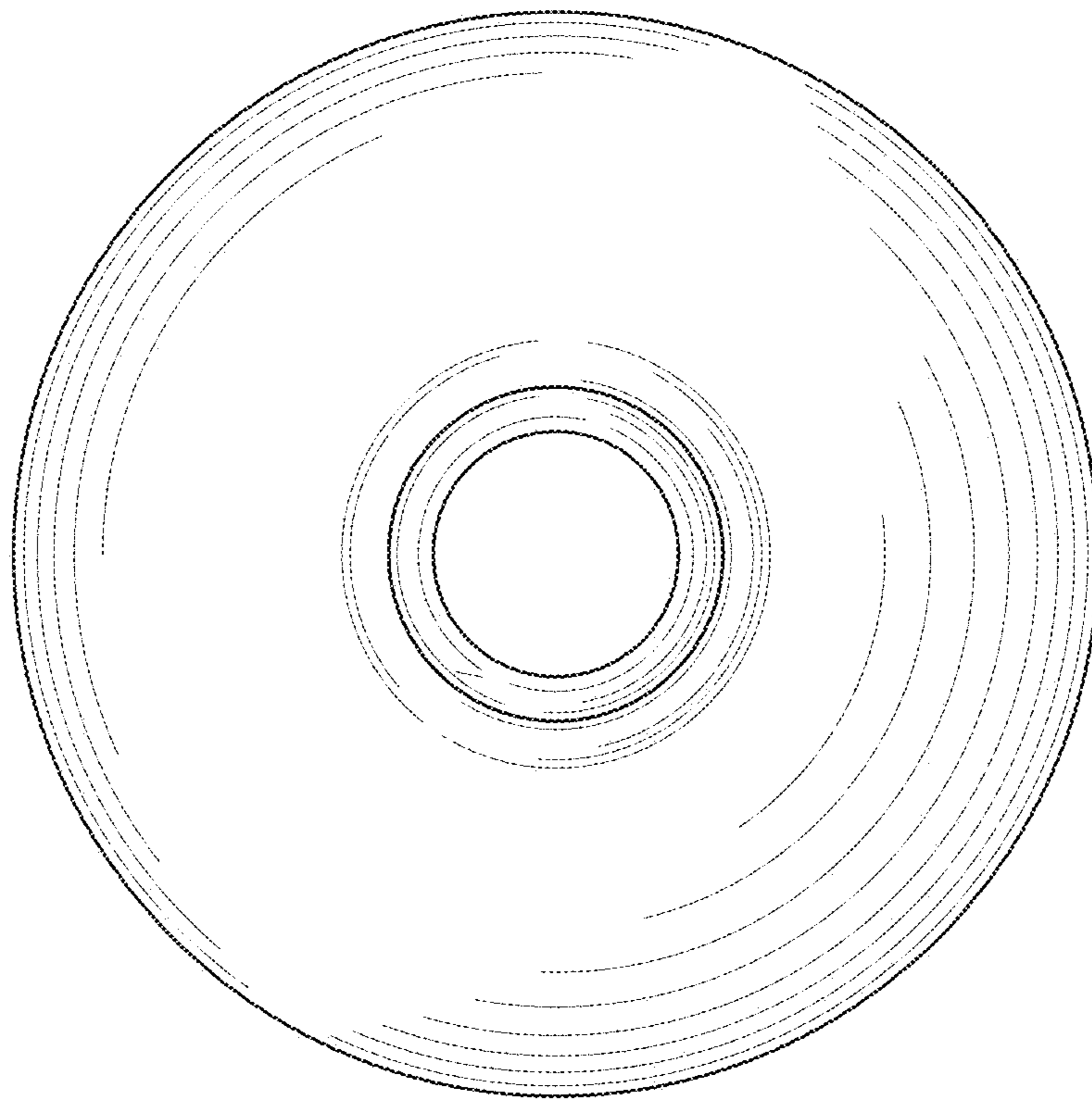


FIG. 4