



US00D966505S

(12) **United States Design Patent** (10) **Patent No.:** **US D966,505 S**
Mark et al. (45) **Date of Patent:** **** Oct. 11, 2022**

(54) **OUTER SHEATH**
(71) Applicant: **Nico Corporation**, Indianapolis, IN (US)
(72) Inventors: **Joseph L. Mark**, Indianapolis, IN (US); **Brian C. Dougherty**, Terre Haute, IN (US)
(73) Assignee: **NICO CORPORATION**, Indianapolis, IN (US)
(**) Term: **15 Years**
(21) Appl. No.: **29/740,197**
(22) Filed: **Jul. 1, 2020**
(51) **LOC (13) Cl.** **24-02**
(52) **U.S. Cl.**
USPC **D24/130**
(58) **Field of Classification Search**
USPC D24/127-130, 112, 108, 121, 199, 207, D24/224, 231; D9/418
CPC A61B 34/20; A61B 2050/005; A61B 17/3423; A61B 17/0218; A61B 90/50
See application file for complete search history.

(56) **References Cited**
U.S. PATENT DOCUMENTS
D248,491 S * 7/1978 Reiss 604/187
D320,455 S * 10/1991 Malcolm D9/542
D608,885 S * 1/2010 Sneddon D24/127
D629,915 S * 12/2010 Chia D24/224
D636,889 S * 4/2011 Chia D24/224
D667,107 S * 9/2012 Mottahed D24/130
D696,398 S * 12/2013 Blanco D24/127
D782,036 S * 3/2017 Cai D24/121
D789,528 S * 6/2017 Wohlfahrt D24/130
D804,653 S * 12/2017 Clark D24/121

9,968,348 B2 * 5/2018 Vennard A61B 17/0218
9,999,430 B2 * 6/2018 Hirsch A61B 17/848
D840,534 S * 2/2019 Mozzicato D24/176
D848,295 S * 5/2019 Johnson D10/101
D852,628 S * 7/2019 Zerebny D24/227
D890,334 S * 7/2020 Saines D24/129
D900,313 S * 10/2020 Chen D24/121
D934,419 S * 10/2021 Gertsenchtein D24/112
2017/0042570 A1 * 2/2017 Piron A61B 90/11
2018/0161024 A1 * 6/2018 Davis A61B 1/00045
2019/0298410 A1 * 10/2019 Mark A61B 5/055

OTHER PUBLICATIONS

Ungsten-syringe-shield-e1572969744783, raditec.ch, [Post date: Nov. 2019], [Site seen Feb. 23, 2022], Seen at URL: (<https://www.raditec.ch/wp-content/uploads/2019/11/tungsten-syringe-shield-e1572969744783.png>) (Year: 2019).*

(Continued)

Primary Examiner — Natasha Vujcic
Assistant Examiner — Gilbert B Ford
(74) *Attorney, Agent, or Firm* — Brooks Kushman P.C.

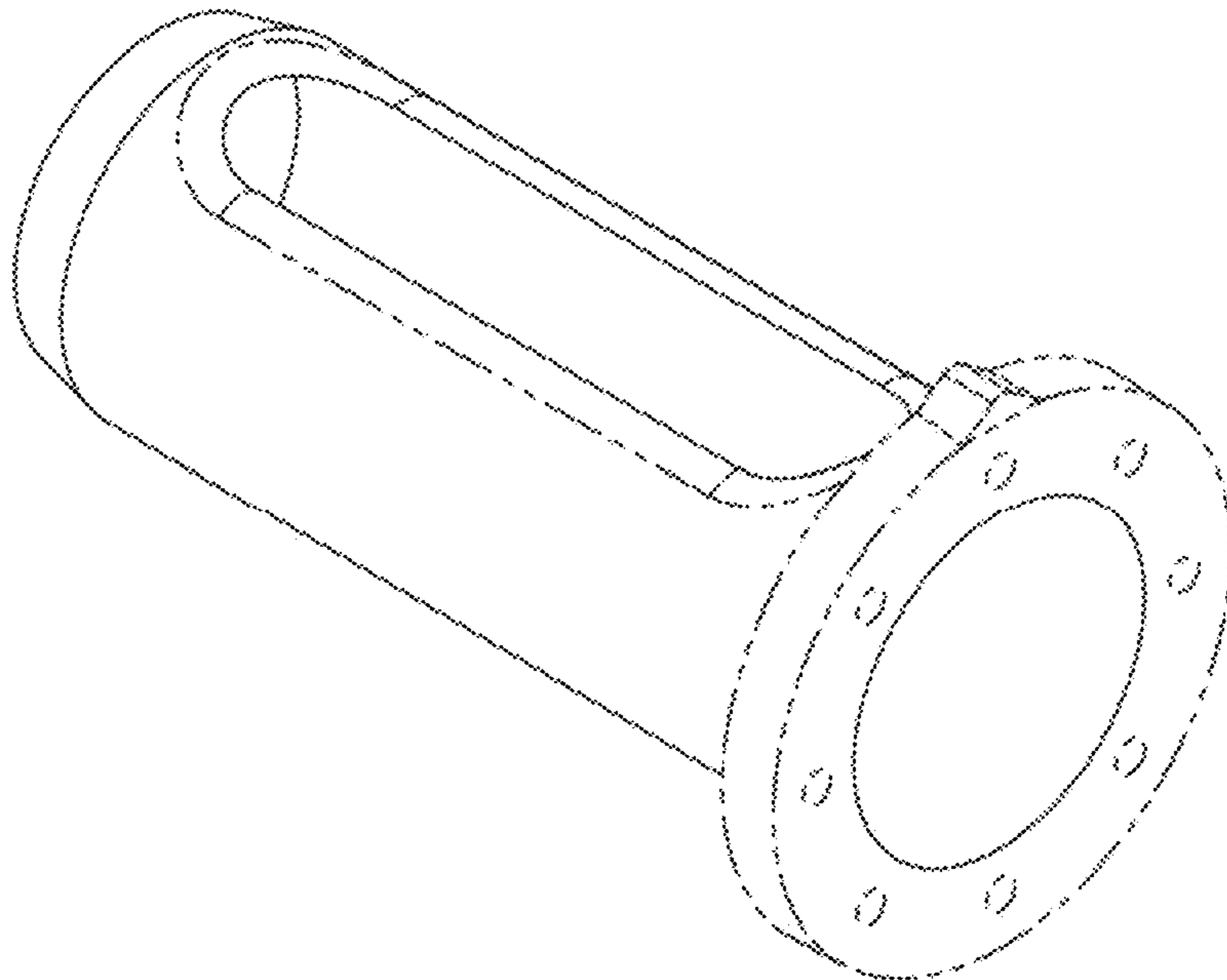
(57) **CLAIM**

The ornamental design for an outer sheath, as shown and described.

DESCRIPTION

FIG. 1 is a top perspective view of an outer sheath;
FIG. 2 is a plan view of a front end of the outer sheath of FIG. 1;
FIG. 3 is a plan view of a rear end of the outer sheath of FIG. 1;
FIG. 4 is a top plan view of the outer sheath of FIG. 1; and,
FIG. 5 is a bottom plan view of the outer sheath of FIG. 1.
The broken lines in the drawings illustrate portions of the outer sheath and form no part of the claimed design.

1 Claim, 3 Drawing Sheets



(56)

References Cited

OTHER PUBLICATIONS

Brainpath: Atraumatic Access to Subcortical Space catalog, Nico Corp, [Post date: 2013], [Site seen Mar. 23, 2022], Seen at URL: [http://neurosurgeryresident.net/Op.%20Operative%20Techniques/00.%20Catalogs,%20Brochures,%20Manuals/NICO/NICO%20-%20BrainPath%20\(brain%20retractor\).pdf](http://neurosurgeryresident.net/Op.%20Operative%20Techniques/00.%20Catalogs,%20Brochures,%20Manuals/NICO/NICO%20-%20BrainPath%20(brain%20retractor).pdf) (Year: 2013).*

Illuminated Vial Shield, Eko-Teknik, [Post date May 18, 2020], [Site seen Mar. 23, 2022], Seen at URL: eko-teknik.com/v4/product/illuminated-vial-shield/ (Year: 2020).*

* cited by examiner

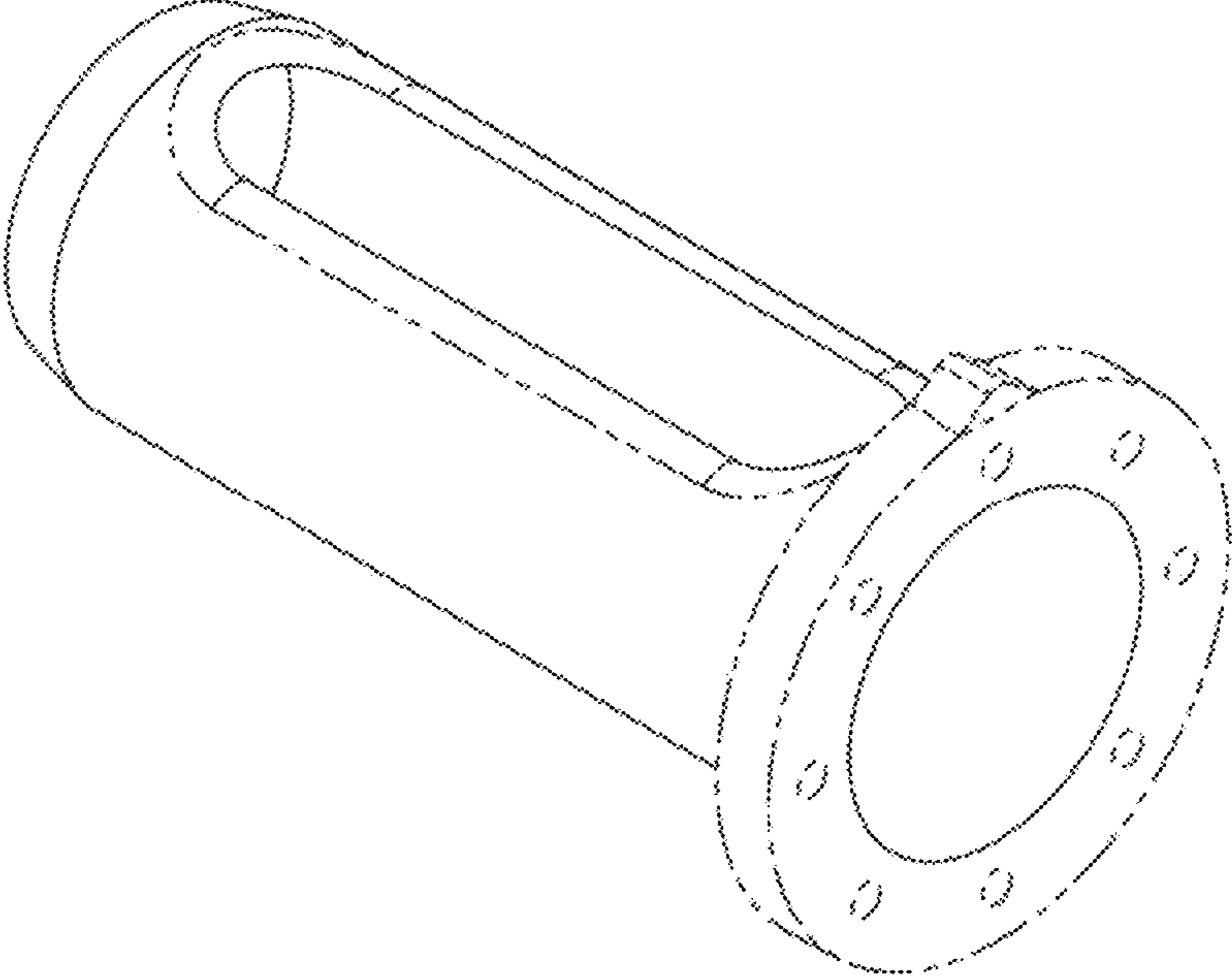


FIG. 1

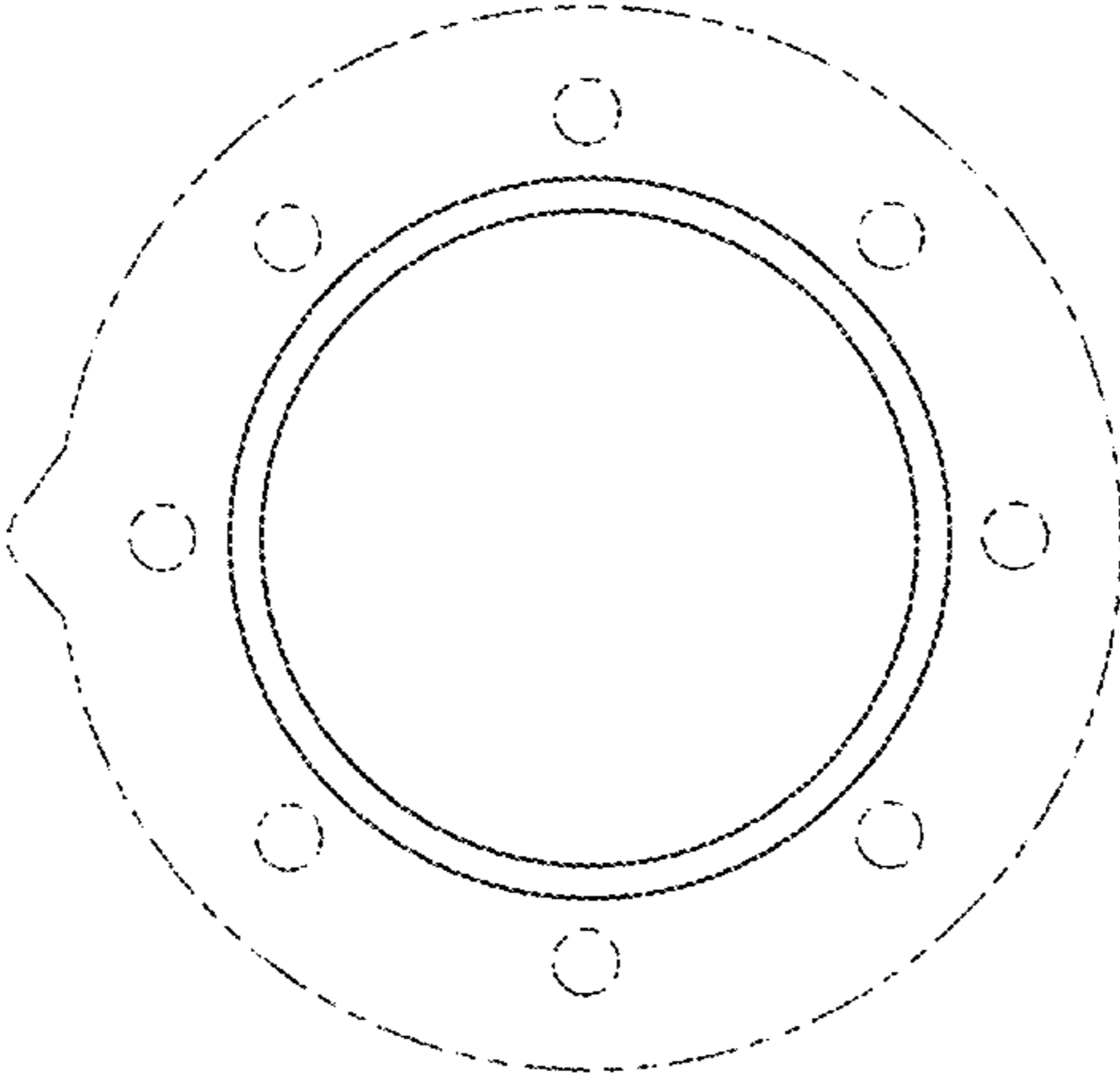


FIG. 2

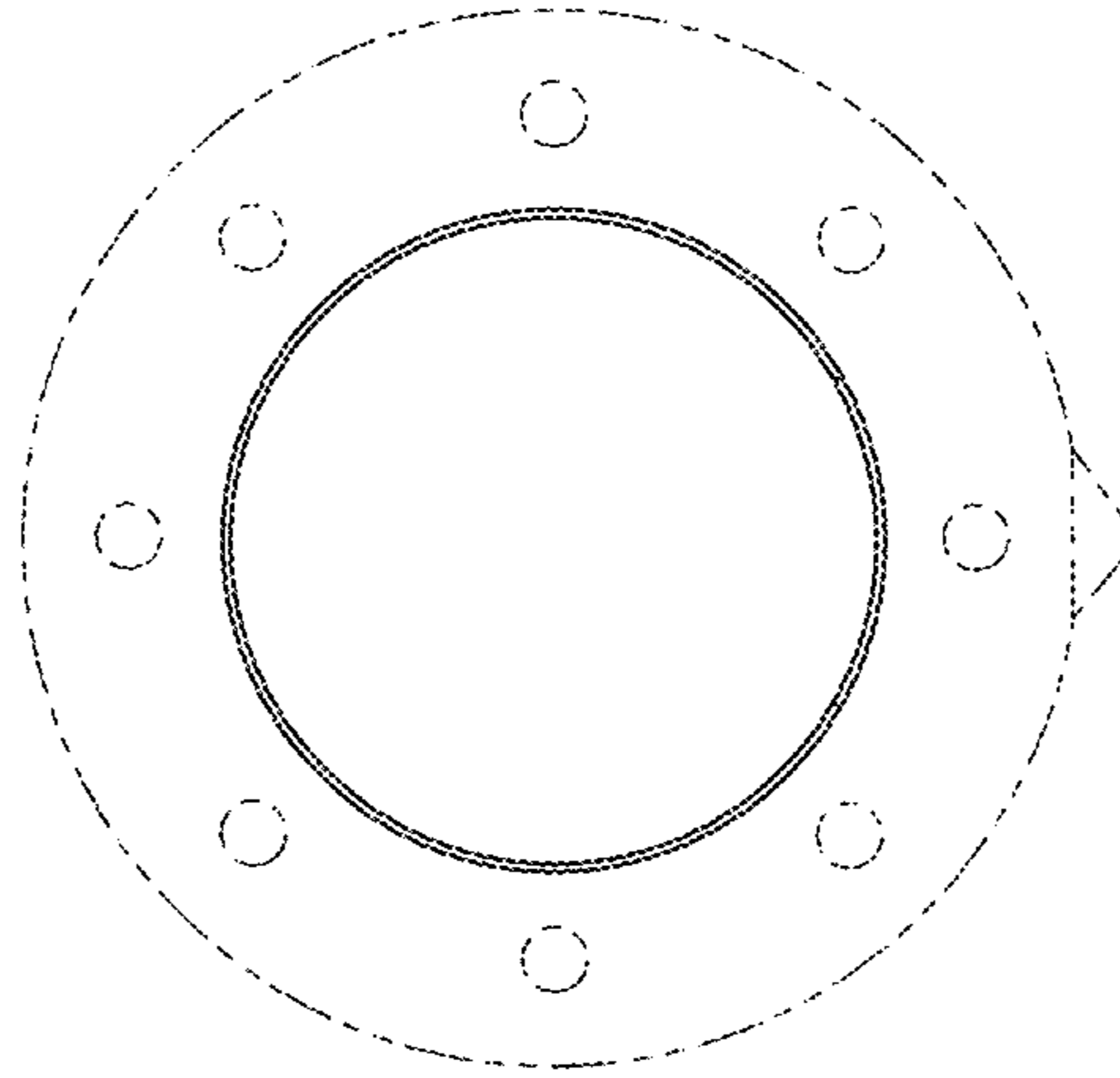


FIG. 3

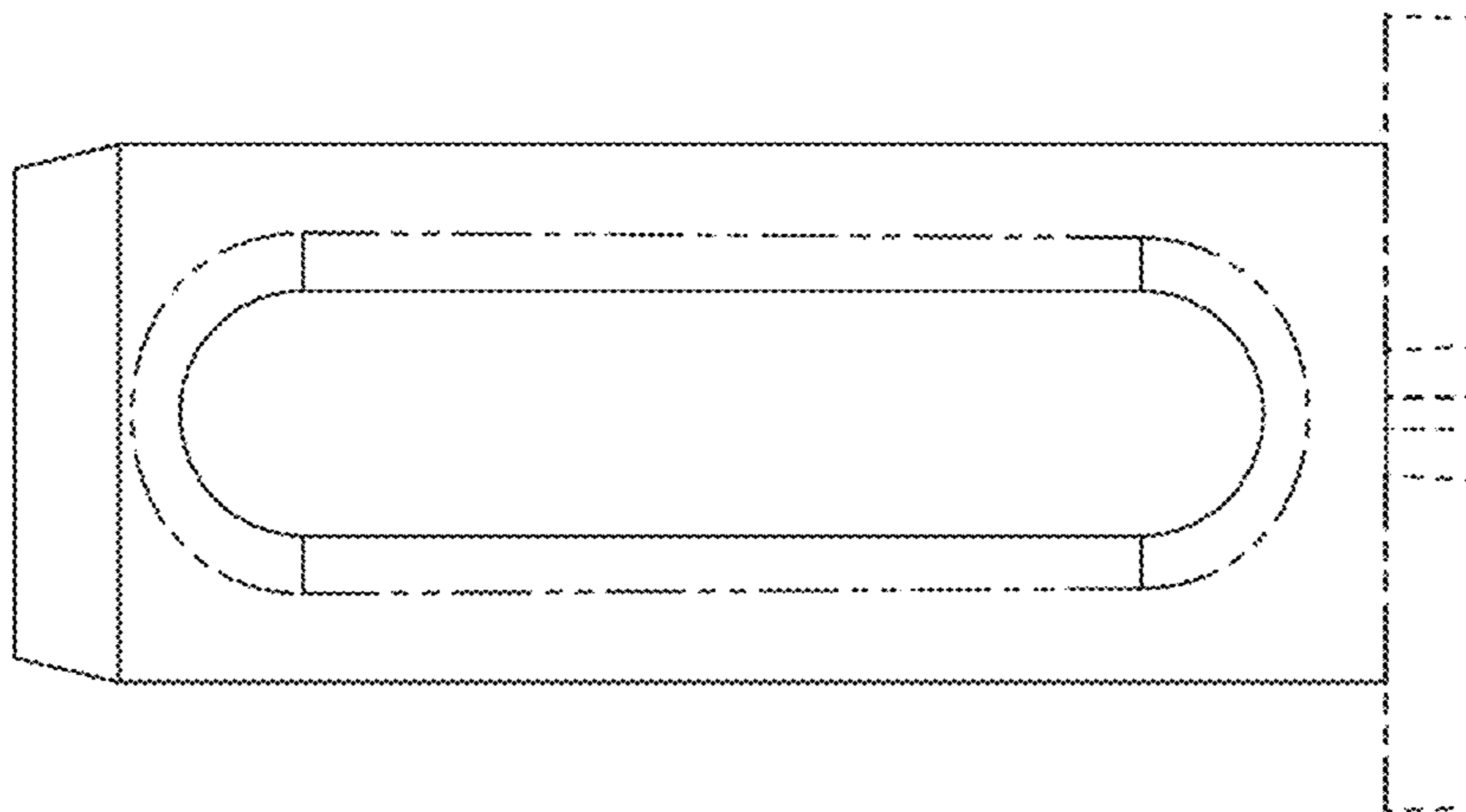


FIG. 4



FIG. 5