

US00D966504S

(12) **United States Design Patent**  
**Xu**

(10) **Patent No.:** **US D966,504 S**  
(45) **Date of Patent:** **\*\* Oct. 11, 2022**

(54) **MASTECTOMY DRAINAGE POUCH**

FOREIGN PATENT DOCUMENTS

(71) Applicant: **XIAMEN YESITO TECHNOLOGY CO., LTD**, Xiamen (CN)

KR 300732579.0001 \* 3/2014

(72) Inventor: **Dexi Xu**, Putian (CN)

OTHER PUBLICATIONS

(73) Assignee: **XIAMEN YESITO TECHNOLOGY CO., LTD**, Xiamen (CN)

Amazon.com, Site visited Aug. 17, 2022, Yesito Mastectomy Drainage Pouch, first available Jun. 7, 2019, <https://www.amazon.com/Yesito-Mastectomy-drainage-Shower-Support/dp/B07TVDJ7ZC> (Year: 2019).\*

(\*\*) Term: **15 Years**

(Continued)

(21) Appl. No.: **29/807,287**

*Primary Examiner* — Brett Miller  
*Assistant Examiner* — Jessica M Gebhart

(22) Filed: **Sep. 10, 2021**

(57) **CLAIM**

(51) **LOC (13) Cl.** ..... **24-02**

The ornamental design for a mastectomy drainage pouch, as shown and described.

(52) **U.S. Cl.**

USPC ..... **D24/128**; D3/203.1

**DESCRIPTION**

(58) **Field of Classification Search**

USPC ..... D3/203.1, 203.2, 203.3, 224; D24/107, D24/108, 118, 121, 127, 128

CPC ... A61F 5/00; A61F 5/44; A41D 10/00; A45F 5/02

See application file for complete search history.

FIG. 1 is a perspective view of a mastectomy drainage pouch showing my new design;  
FIG. 2 is another perspective view thereof;  
FIG. 3 is a front elevational view thereof;  
FIG. 4 is a rear elevational view thereof;  
FIG. 5 is a left side elevational view thereof;  
FIG. 6 is a right side elevational view thereof;  
FIG. 7 is a top plan view thereof;  
FIG. 8 is a bottom plan view thereof;  
FIG. 9 is a perspective view of the mastectomy drainage pouch where the mastectomy drainage pouch is in a configuration of use;  
FIG. 10 is an enlarged view of portion 10 shown in FIG. 1; and,  
FIG. 11 is an enlarged view of portion 11 shown in FIG. 1. The dash-dash broken lines in the drawings depict portions of the mastectomy drainage pouch that form no part of the claimed design. The dot-dash broken lines represent boundaries of the enlarged portions and form no part of the claimed design.

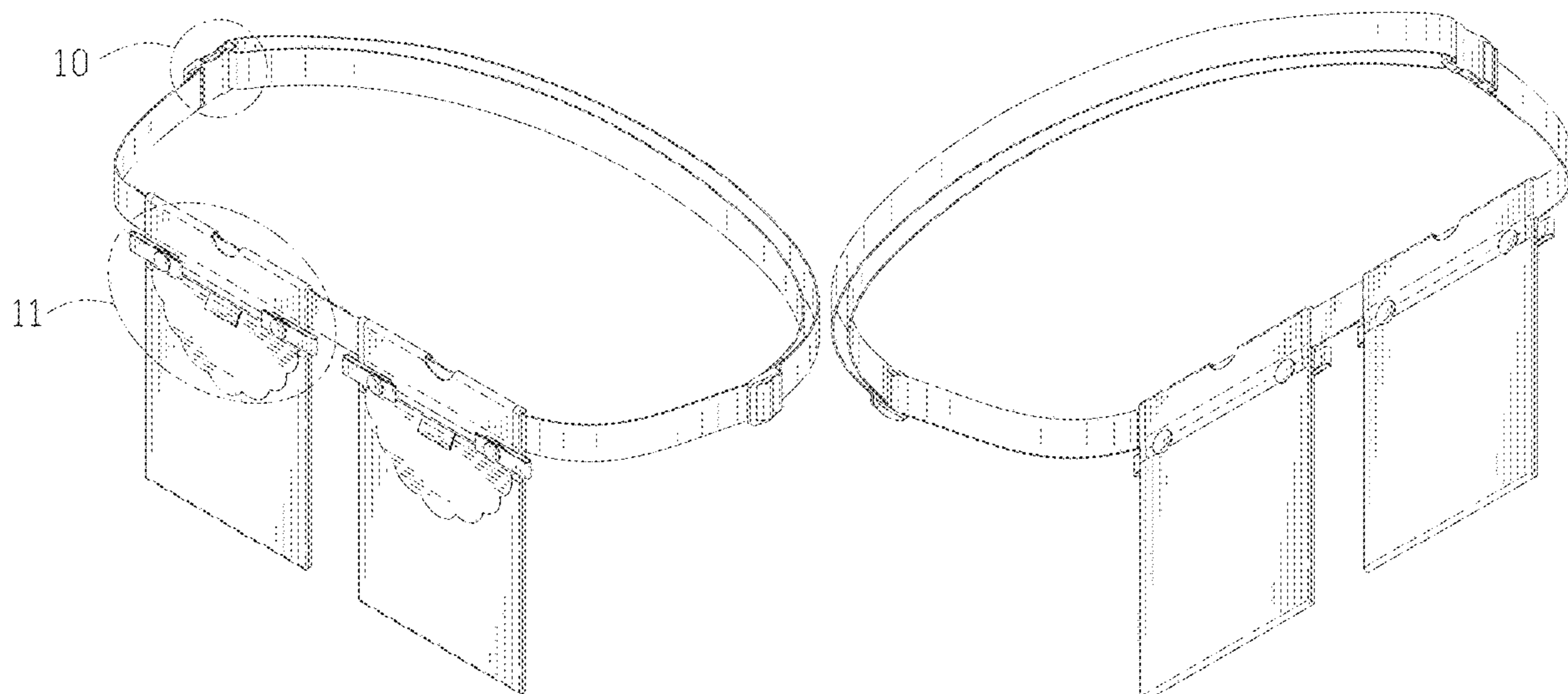
(56) **References Cited**

U.S. PATENT DOCUMENTS

5,026,362	A *	6/1991	Willett	.....	A61F 5/449
					604/332
5,643,233	A *	7/1997	Turner	.....	A61F 5/4408
					224/663
5,980,499	A *	11/1999	Ekey	.....	A61F 5/44
					224/663
D544,095	S *	6/2007	McLaughlin	.....	D24/118
D550,354	S *	9/2007	Raya	.....	D24/128
D666,805	S *	9/2012	Ferguson	.....	D3/203.1
8,292,860	B1	10/2012	Persichetti et al.		
8,845,608	B2	9/2014	Krasikoff et al.		
D716,941	S *	11/2014	Sterling	.....	D24/128
D823,464	S *	7/2018	Fox	.....	D24/128

(Continued)

**1 Claim, 11 Drawing Sheets**



(56)

**References Cited**

U.S. PATENT DOCUMENTS

2009/0089913 A1\* 4/2009 Ehrlickman ..... A41D 13/1254  
2/338  
2012/0091181 A1\* 4/2012 Barnes ..... A61F 5/44  
224/660  
2014/0312091 A1\* 10/2014 Anderson ..... A45F 5/00  
224/191  
2022/0087405 A1\* 3/2022 Rodriguez ..... A45F 5/02

OTHER PUBLICATIONS

Curediva.com, Site visited Aug. 17, 2022, Post-Surgical Drain Belt with Shower Bag, available via wayback machine dated Jan. 21, 2021, <https://web.archive.org/web/20210121145928/https://curediva.com/products/post-surgical-drain-belt-shower-satchel> (Year: 2021).\*

Amazon.com, Site visited Aug. 17, 2022, D. Cozy Mastectomy Drain Belt, First available Apr. 24, 2021, <https://www.amazon.com/Mastectomy-Convenient-Reconstruction-Recovery-Patients/dp/B093DHJM81> (Year: 2021).\*

\* cited by examiner

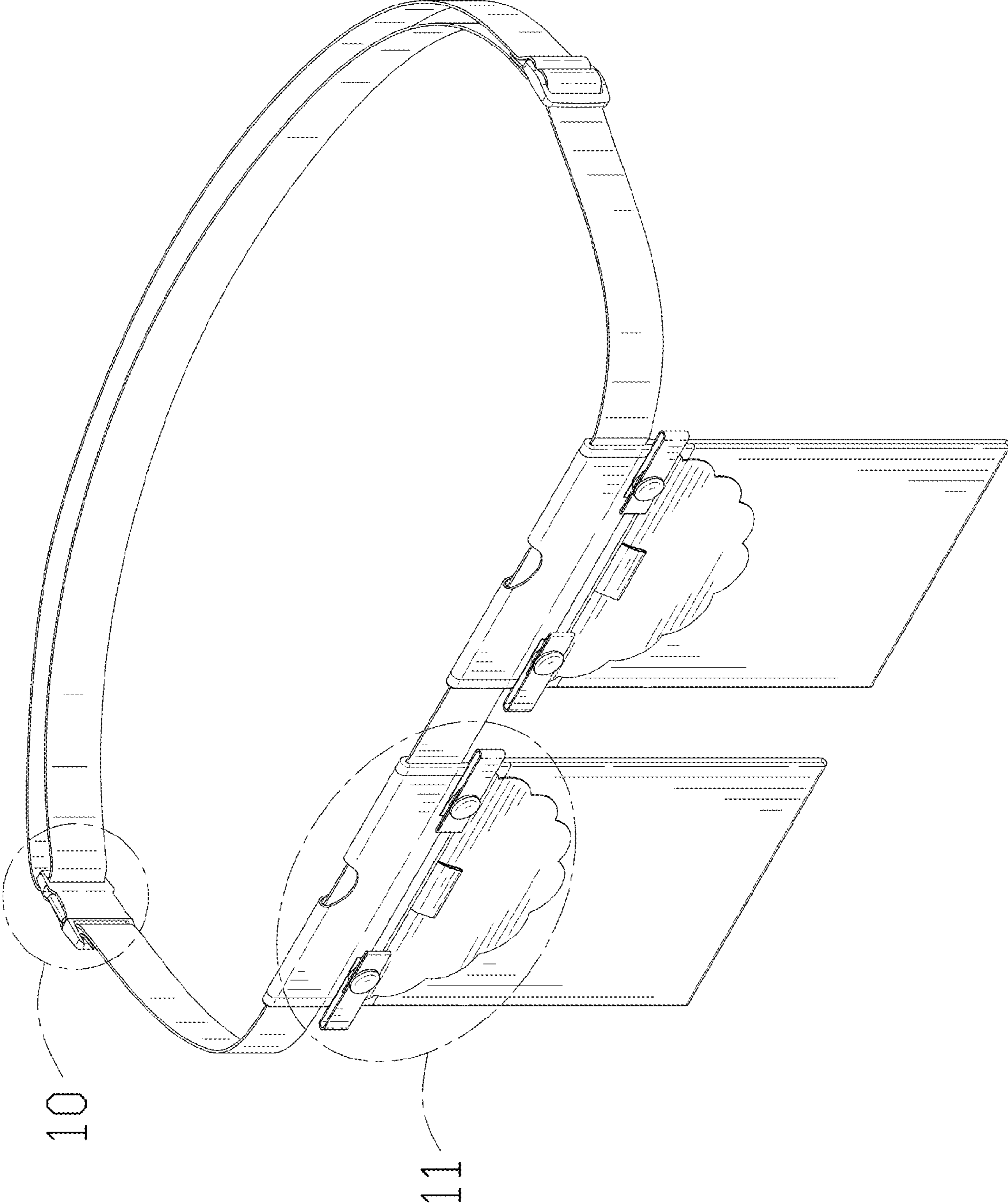


FIG. 1

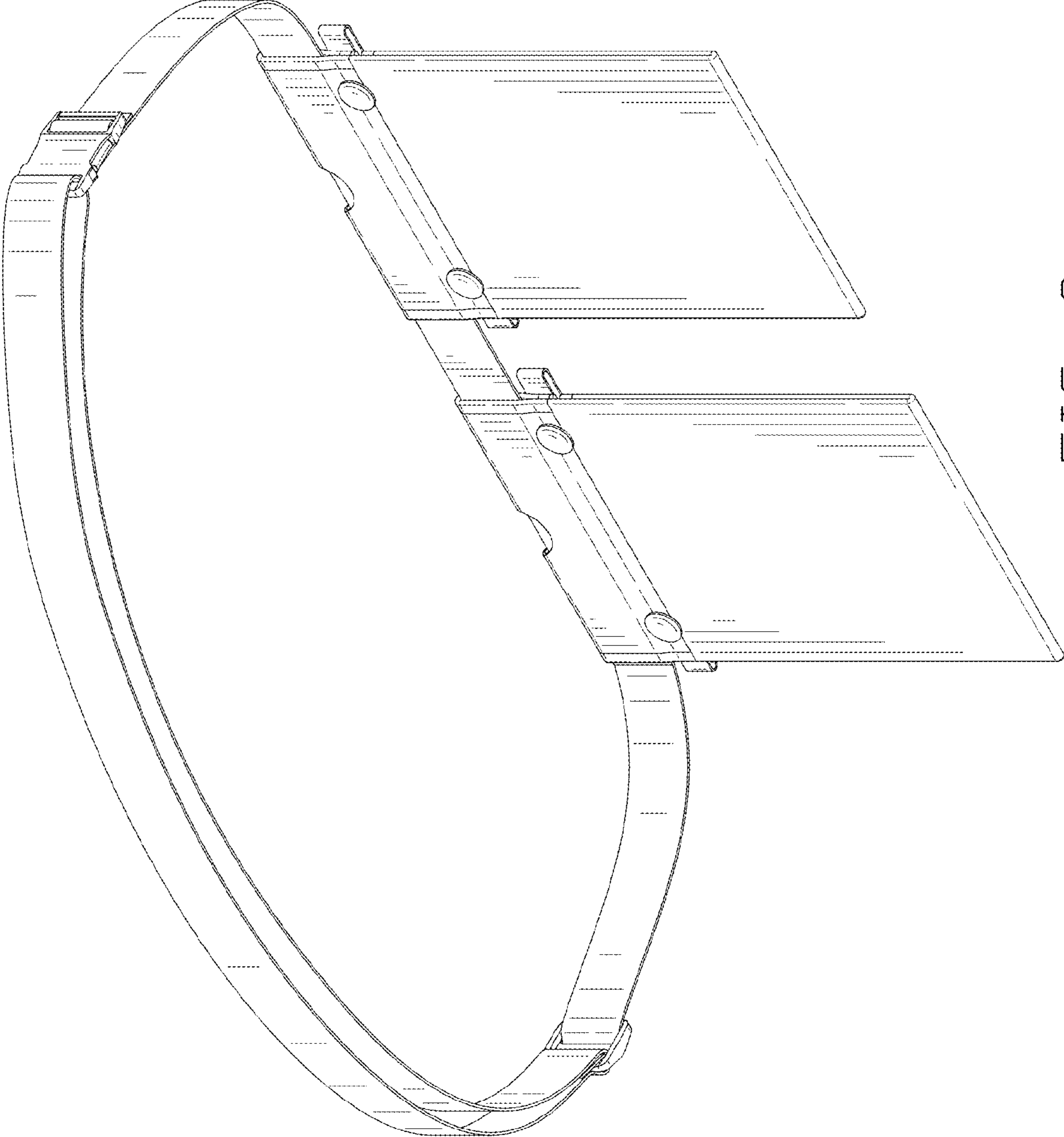


FIG. 2

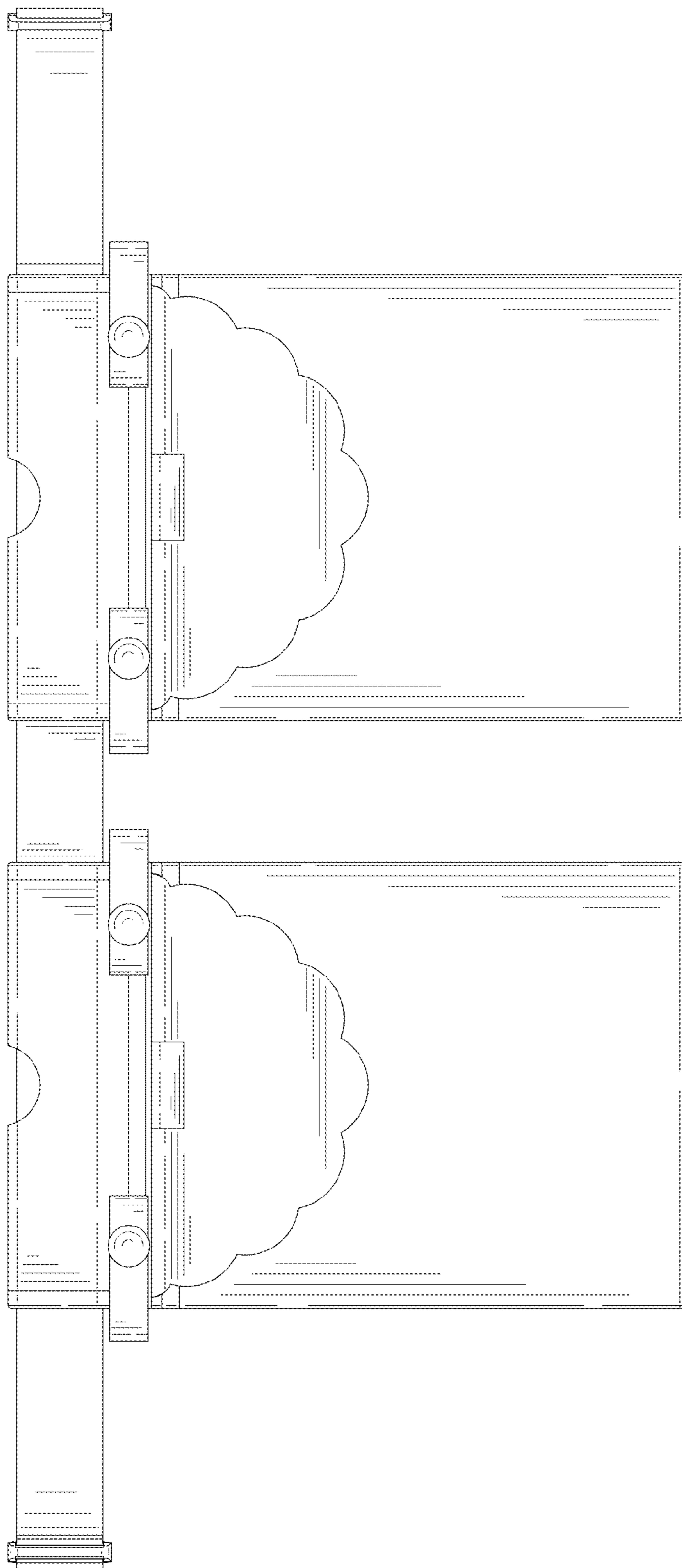


FIG. 3

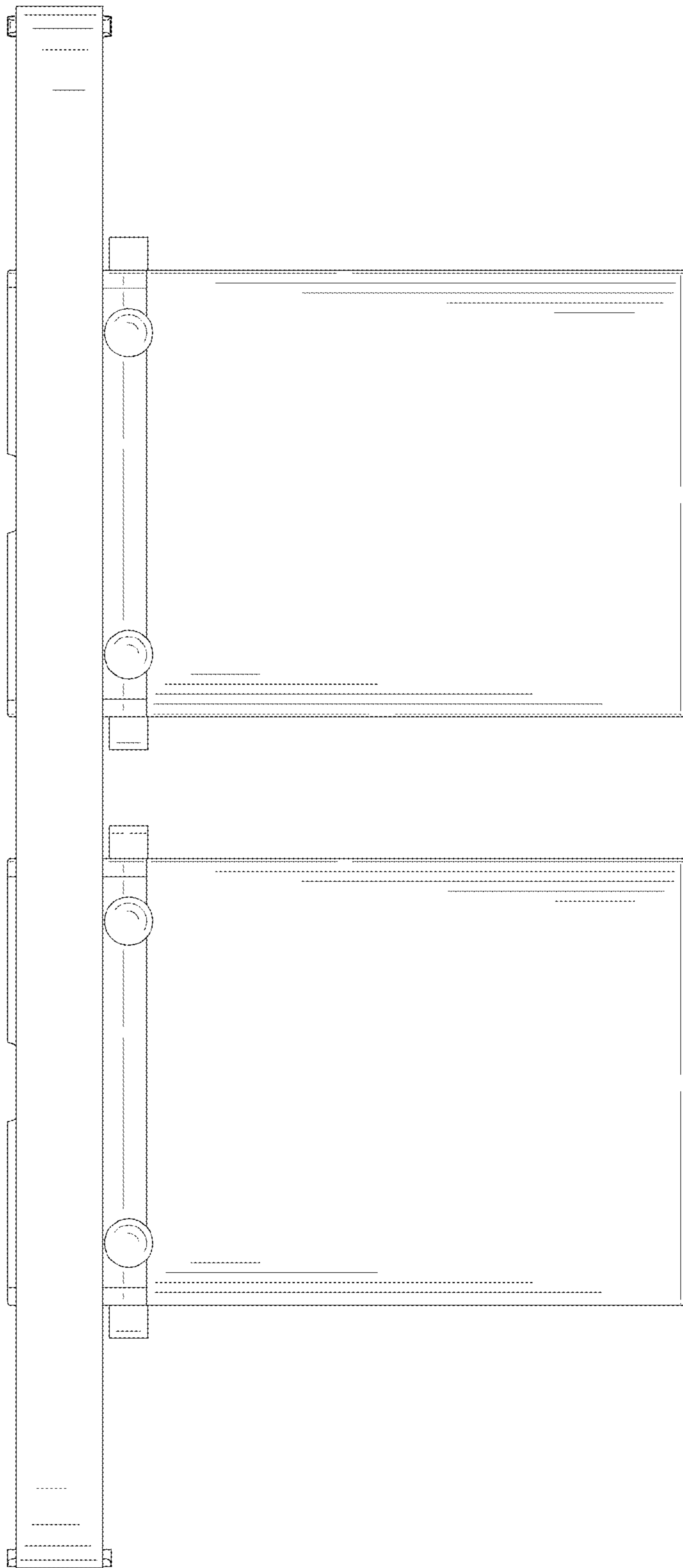


FIG. 4

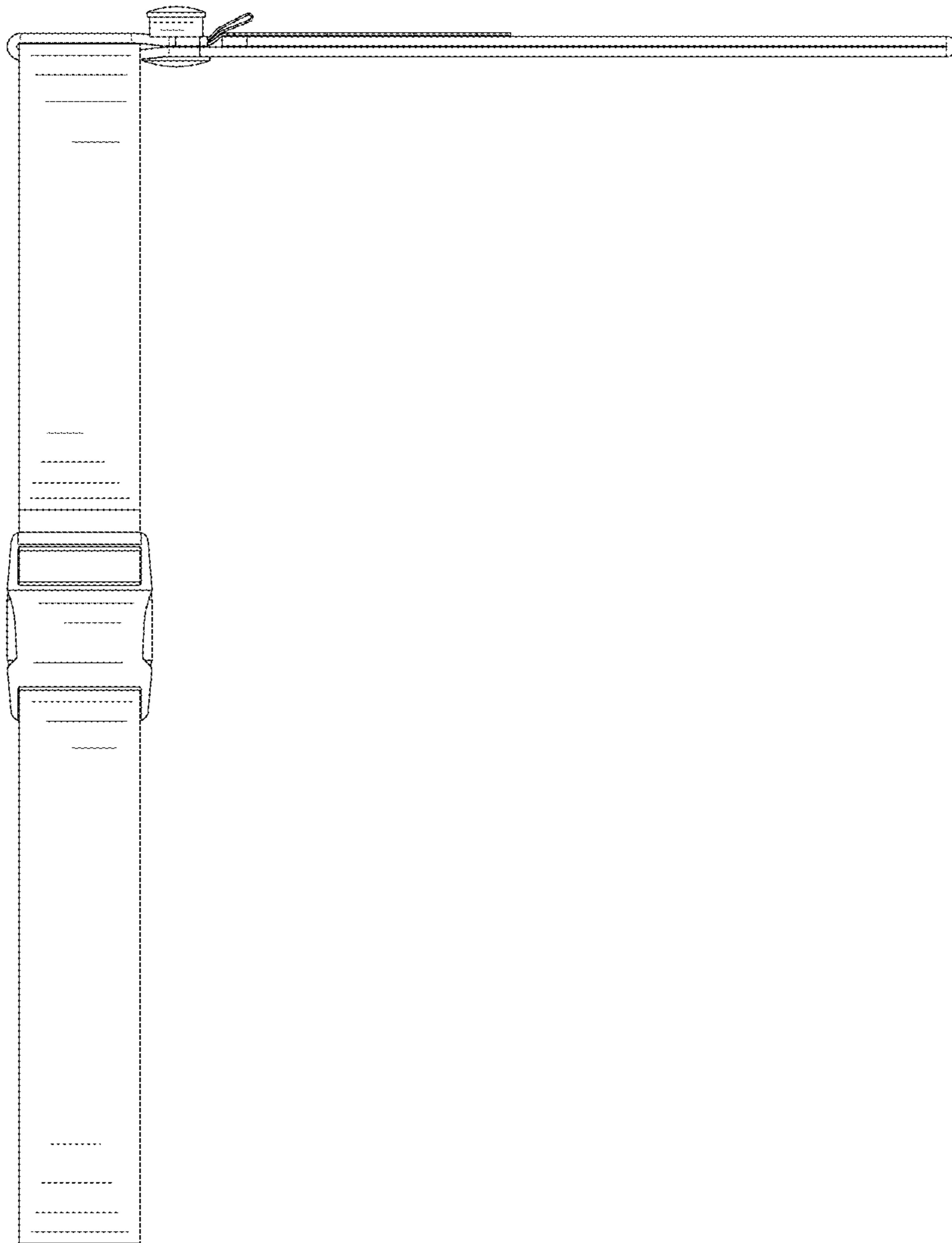


FIG. 5

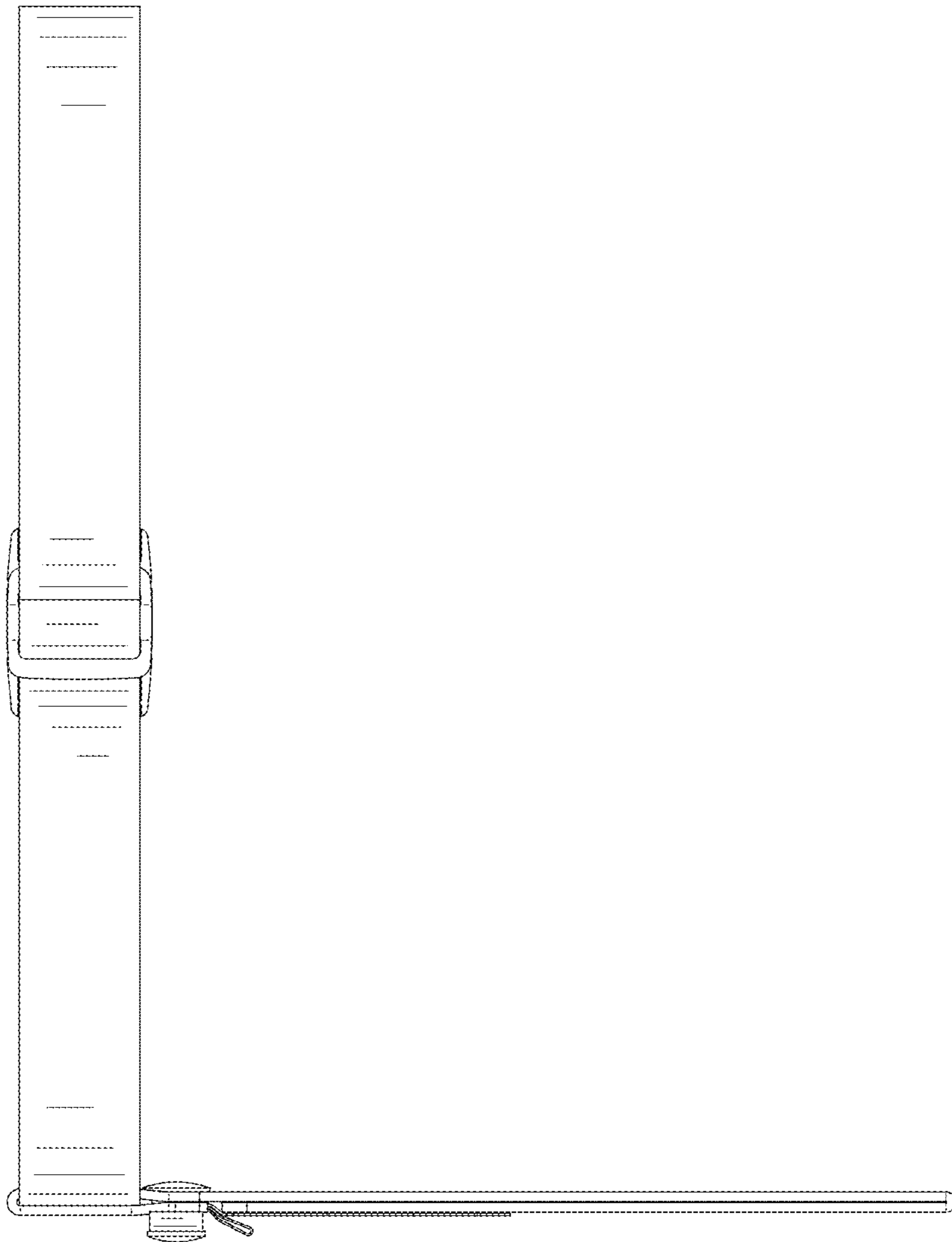


FIG. 6



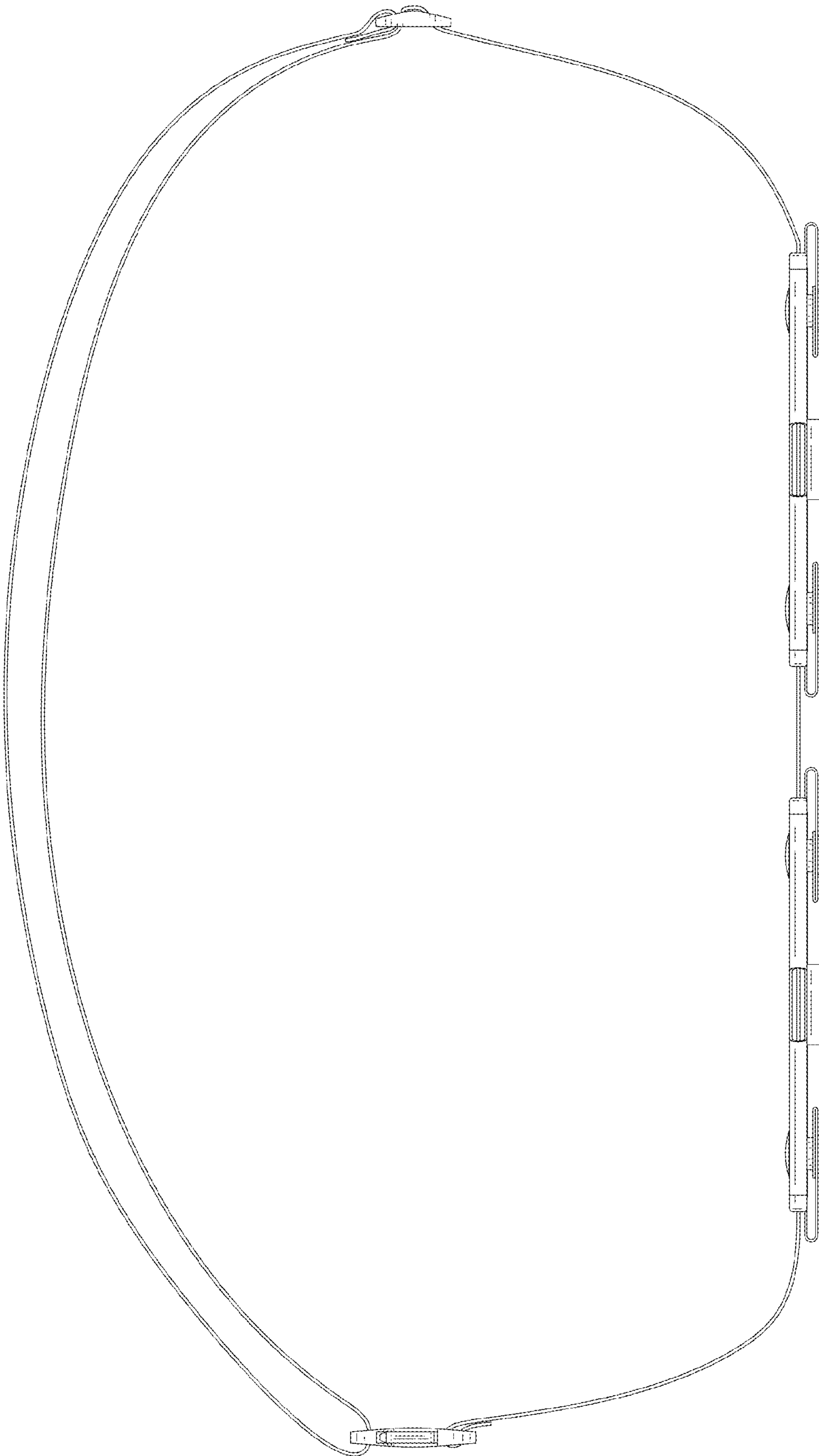


FIG. 7

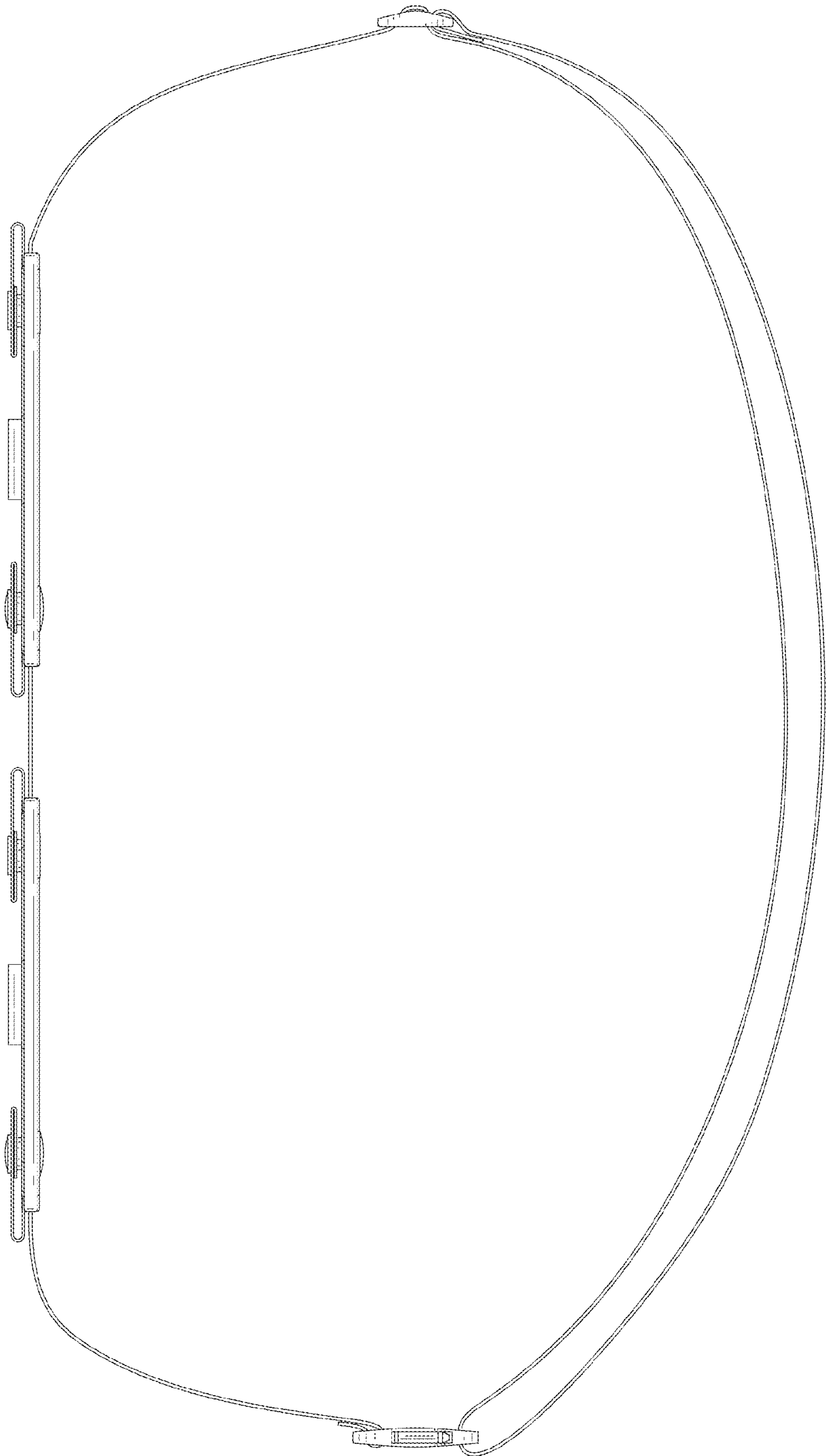


FIG. 8

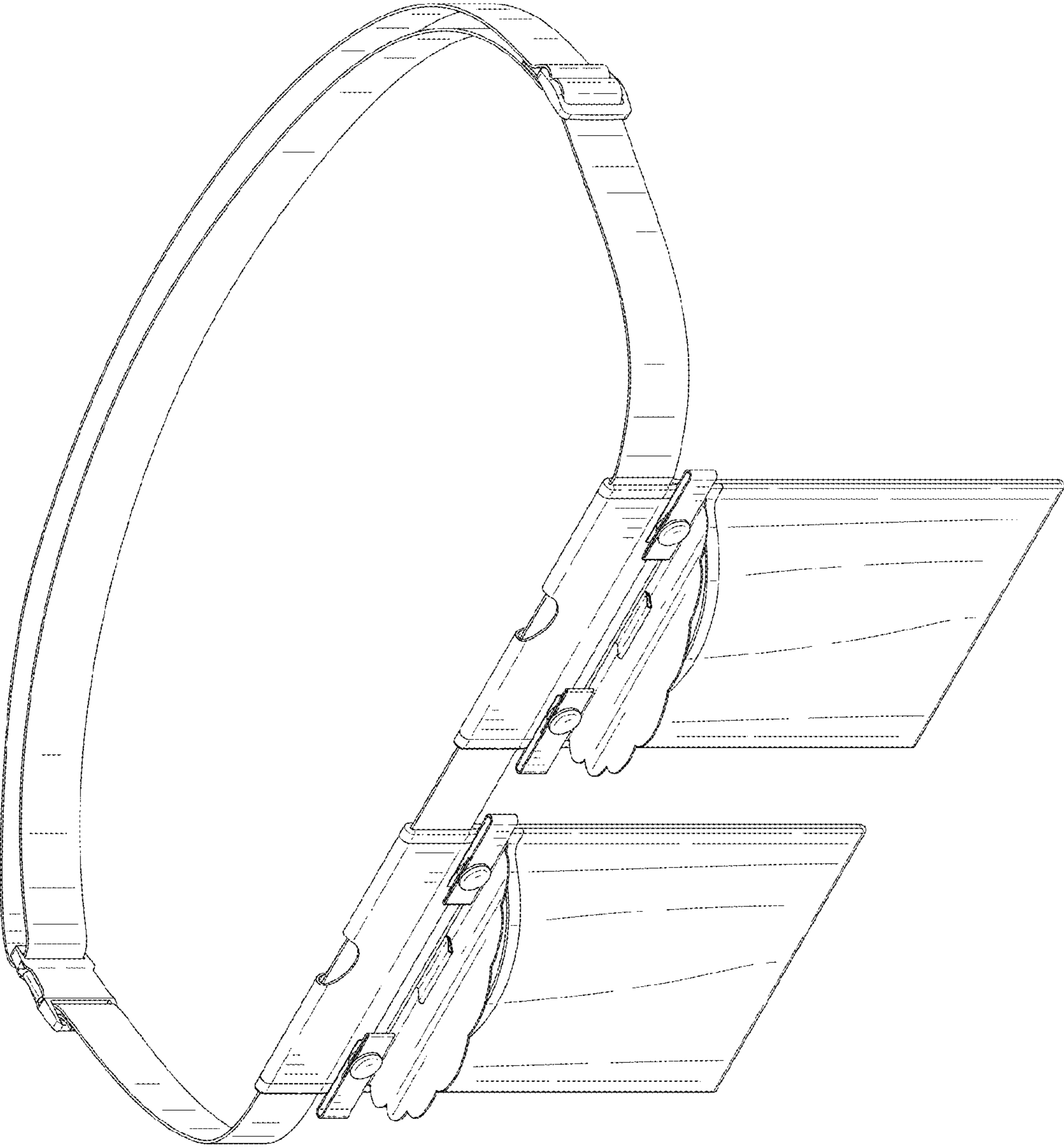


FIG. 9

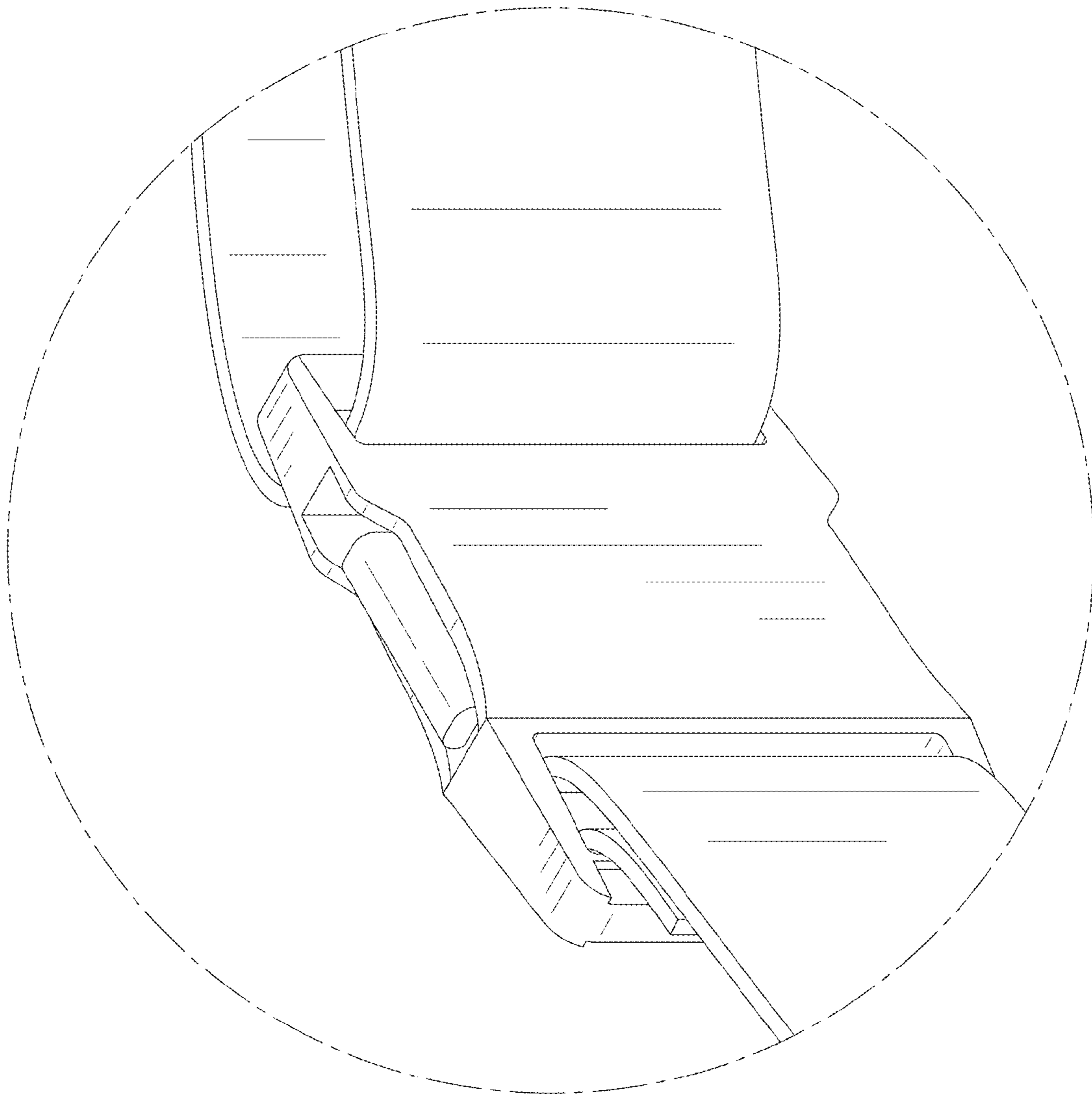


FIG. 10

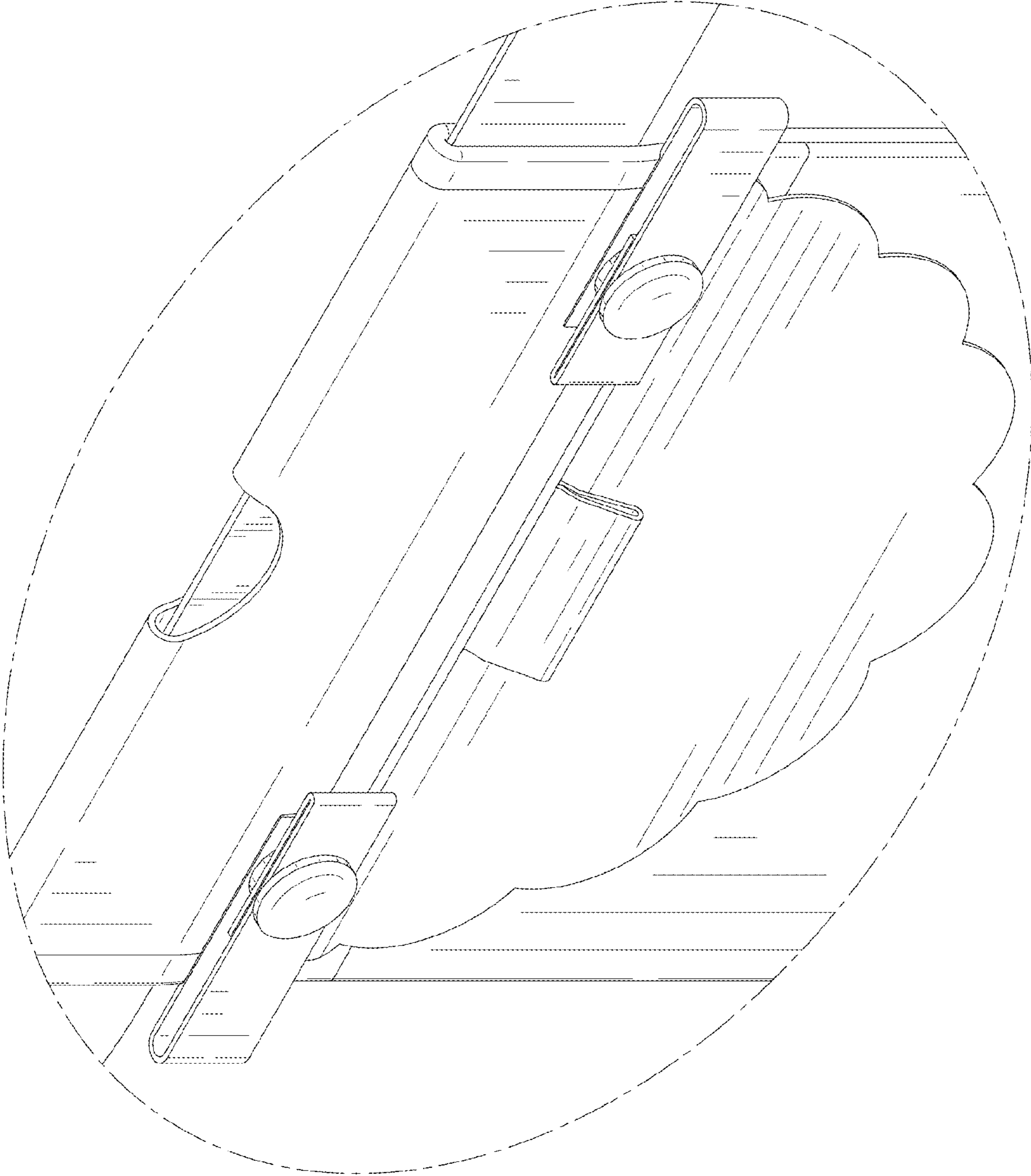


FIG. 11