



US00D966503S

(12) **United States Design Patent** (10) **Patent No.:** **US D966,503 S**
Leard et al. (45) **Date of Patent:** **** Oct. 11, 2022**

(54) **IV SPIKE COVER**

FOREIGN PATENT DOCUMENTS

(71) Applicant: **Avent, Inc.**, Alpharetta, GA (US)

GB 6145919 * 6/2021

(72) Inventors: **Brett C. Leard**, Seneca, SC (US);
Ruoya Wang, Decatur, GA (US);
Gavin H. Mannion, Atlanta, GA (US);
Khoa T. Lien, Alpharetta, GA (US);
Collin Wedger, Alpharetta, GA (US)

OTHER PUBLICATIONS

Disposable IV Bag Protector, Health Care Logistics, Medical Product Supply, [Post date unknown], [Site seen May 25, 2022], Seen at URL: https://medicalproductssupply.com/disposable-iv-bag-protector.html?gclid=EAIaIQobChMk_y16-369wIVZRCzAB0vYgQHEAQYByABEgKXZfD_BwE (Year: 2022).
Die Cut Handle Bags, Uline, [Post date: Sep. 24, 2008], [Site seen May 25, 2022], Seen at URL: https://www.uline.com/BL_5554/Die-Cut-Handle-Bags (Year: 2008).*

(73) Assignee: **Avent, Inc.**, Alpharetta, GA (US)

(**) Term: **15 Years**

* cited by examiner

(21) Appl. No.: **29/764,460**

(22) Filed: **Dec. 30, 2020**

Primary Examiner — Natasha Vujcic

(51) **LOC (13) Cl.** **24-02**

Assistant Examiner — Gilbert B Ford

(52) **U.S. Cl.**
USPC **D24/127**

(74) *Attorney, Agent, or Firm* — Meunier Carlin & Curfman LLC

(58) **Field of Classification Search**
USPC D9/702–714, 720, 430–433, 414, 418;
D3/303, 202, 203.1; D24/121, 123, 224,
D24/118, 108, 127, 207
CPC B65D 81/3277; G01N 33/52; G01N 21/51;
B01L 3/502
See application file for complete search history.

(57) **CLAIM**

The ornamental design for an IV spike cover, as shown and described.

(56) **References Cited**

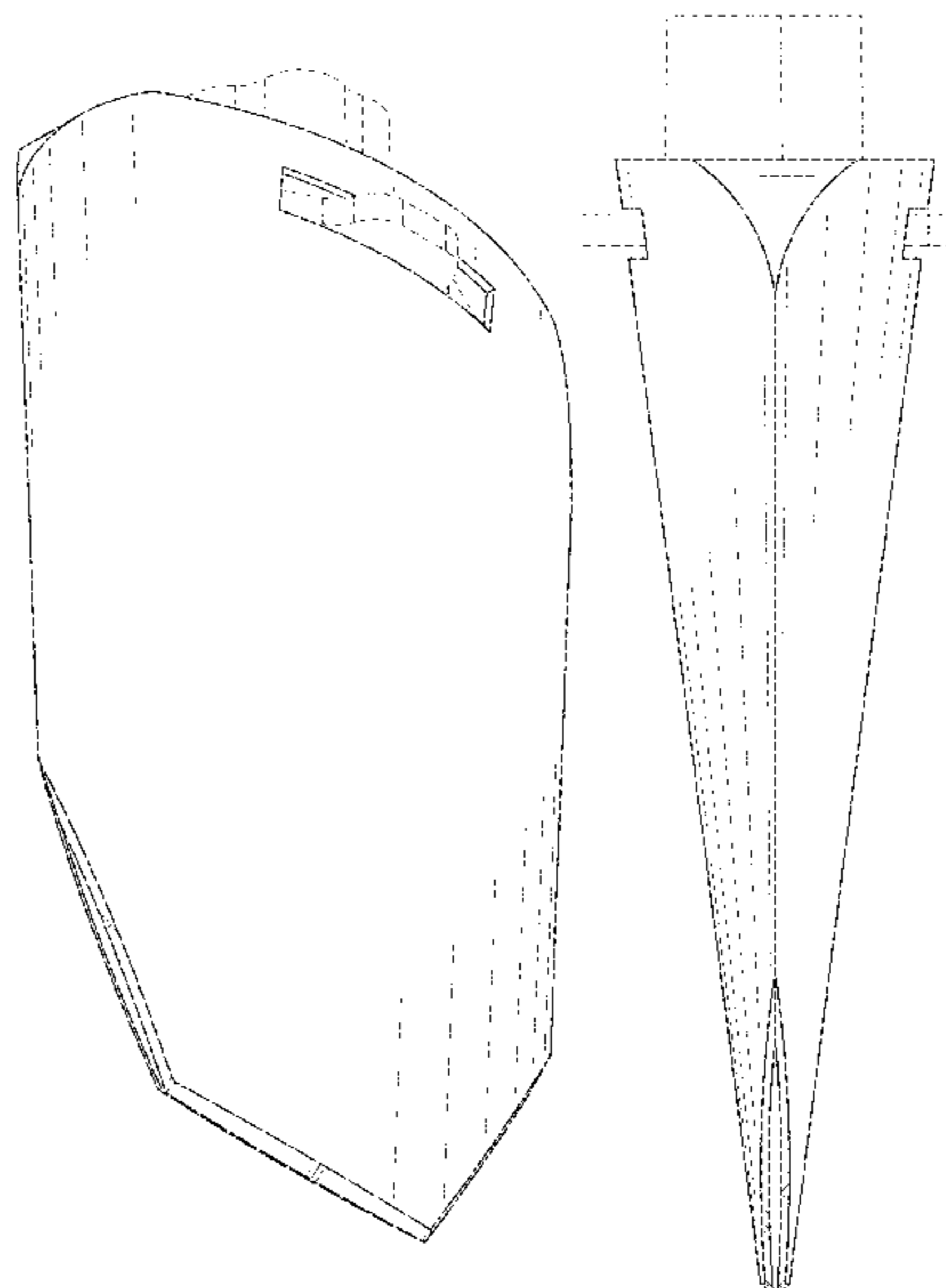
DESCRIPTION

U.S. PATENT DOCUMENTS

D278,974 S *	5/1985	Ray	D9/434
D321,758 S *	11/1991	Colella	D24/127
D385,027 S *	10/1997	Niedospial, Jr.	D24/118
D396,002 S *	7/1998	Bell	D9/707
D653,534 S *	2/2012	Shinn	D9/418
D676,335 S *	2/2013	Murray	D9/707
D791,934 S *	7/2017	Lehrman	D24/121
D792,580 S *	7/2017	Ren	D24/121
D896,521 S *	9/2020	Clearman	D3/303
D910,838 S *	2/2021	Zhang	D24/118
D951,104 S *	5/2022	Pellingra	D9/707
2020/0093692 A1 *	3/2020	Lev	A61J 1/2096

FIG. 1 is a front perspective view of an IV spike cover according to the present design;
FIG. 2 is a front view of the IV spike cover of FIG. 1;
FIG. 3 is a side view of the IV spike cover of FIG. 1;
FIG. 4 is a bottom view of the IV spike cover of FIG. 1; and,
FIG. 5 is a top view of the IV spike cover of FIG. 1.
The broken lines depicted in FIGS. 1-5 represent unclaimed environmental subject matter and form no part of the claimed design.

1 Claim, 4 Drawing Sheets



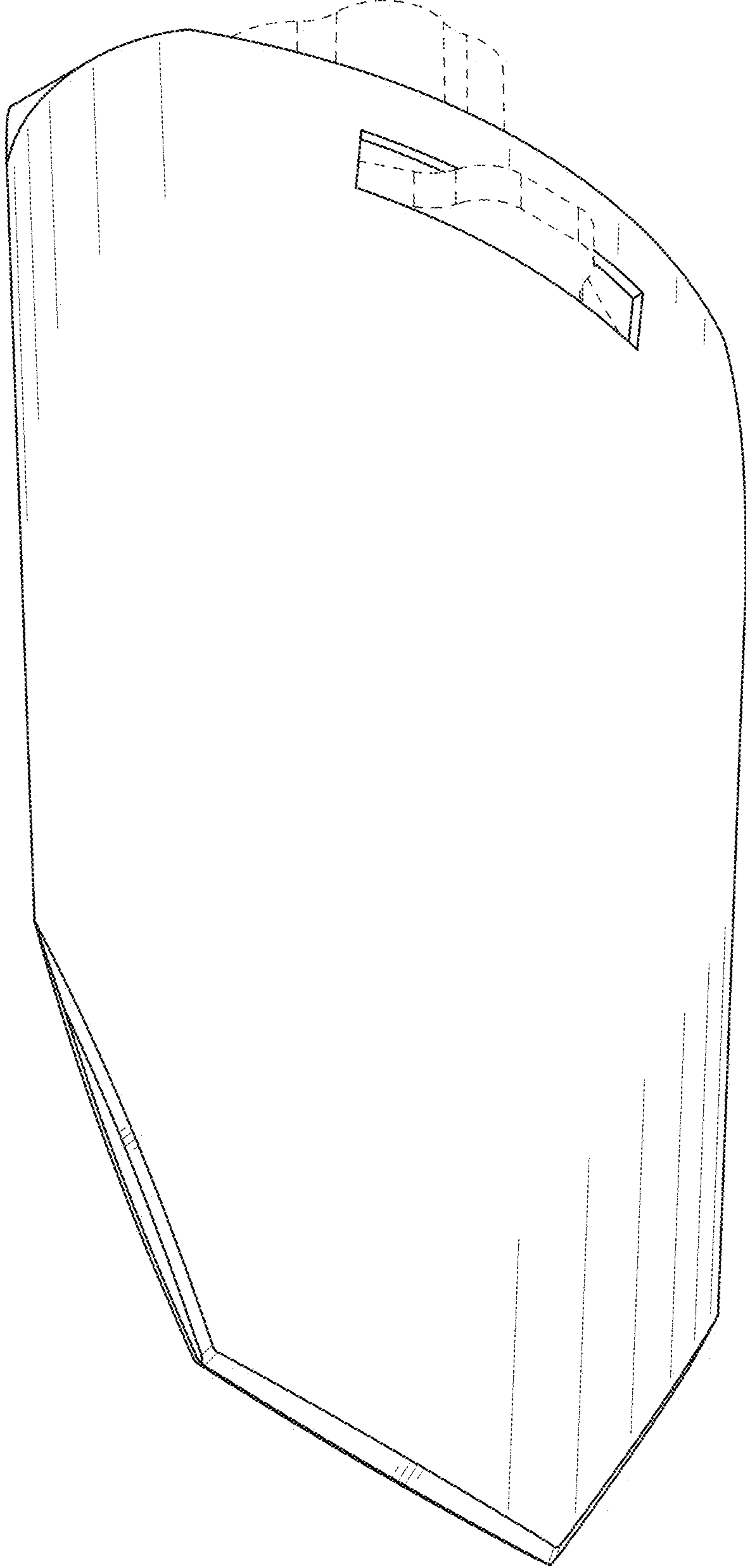


FIG. 1

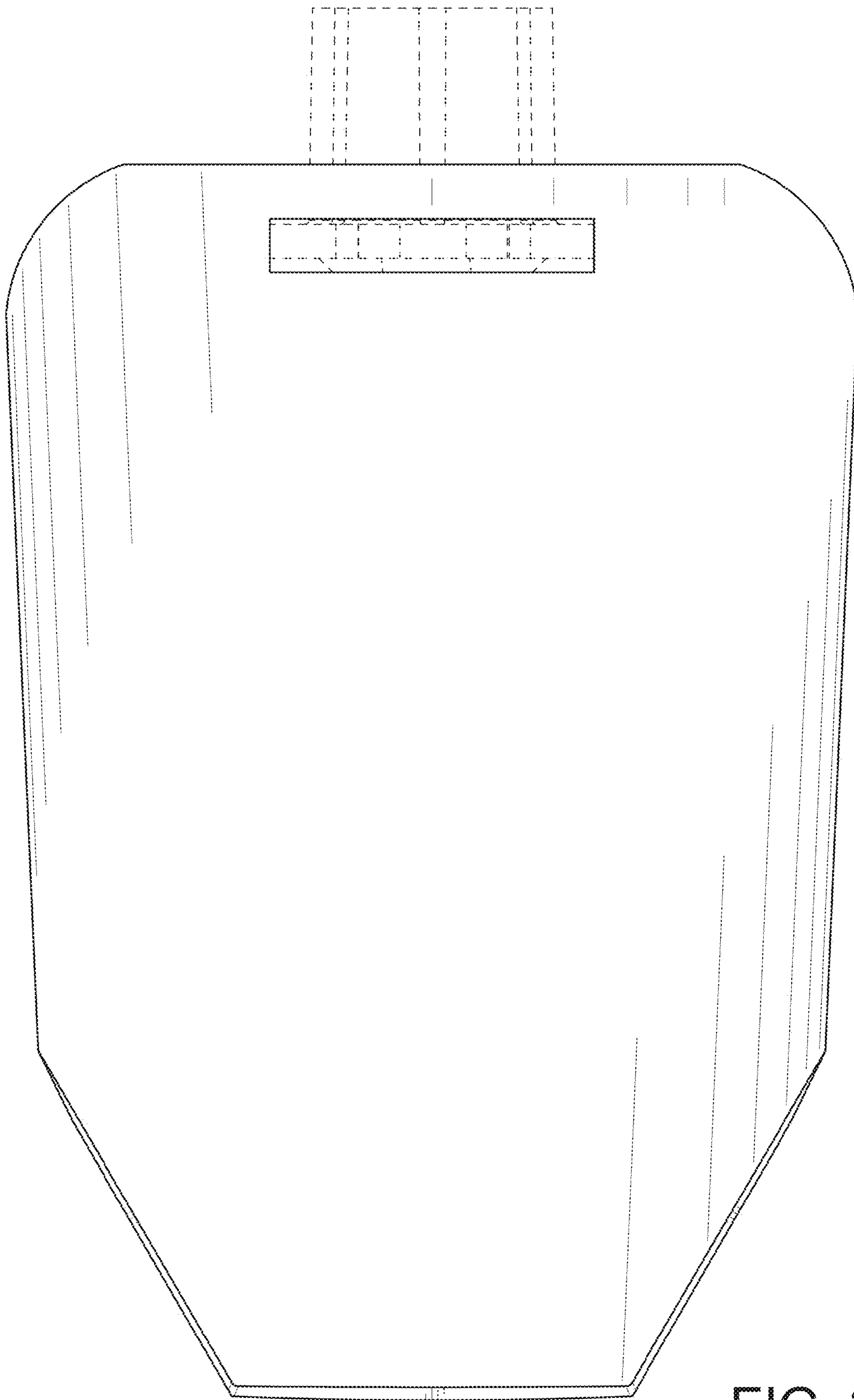


FIG. 2

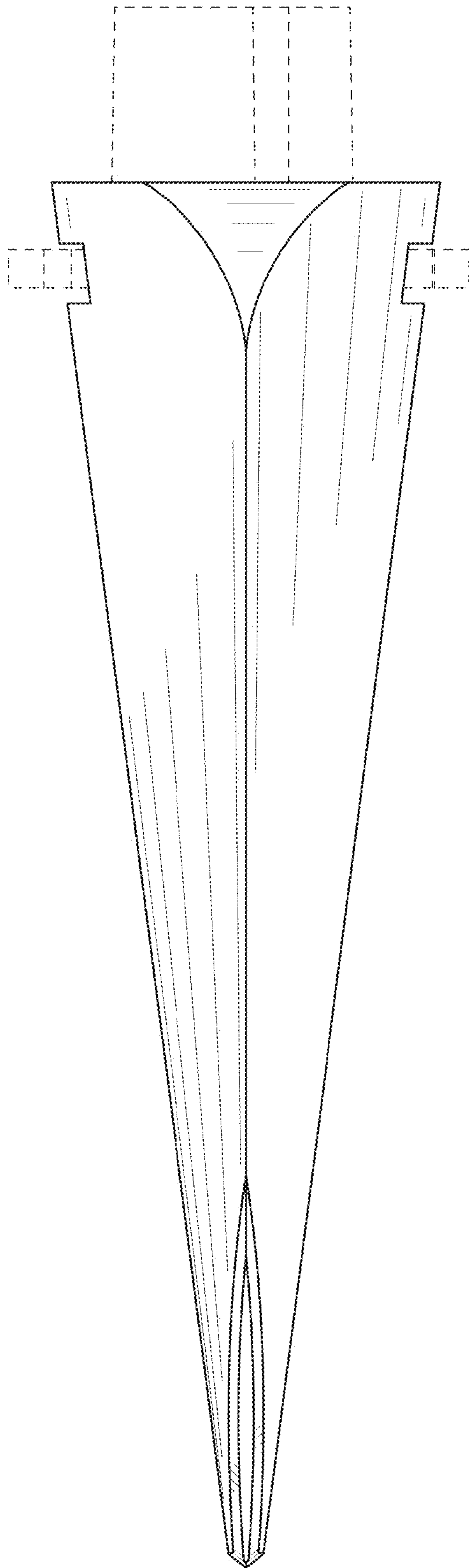


FIG. 3

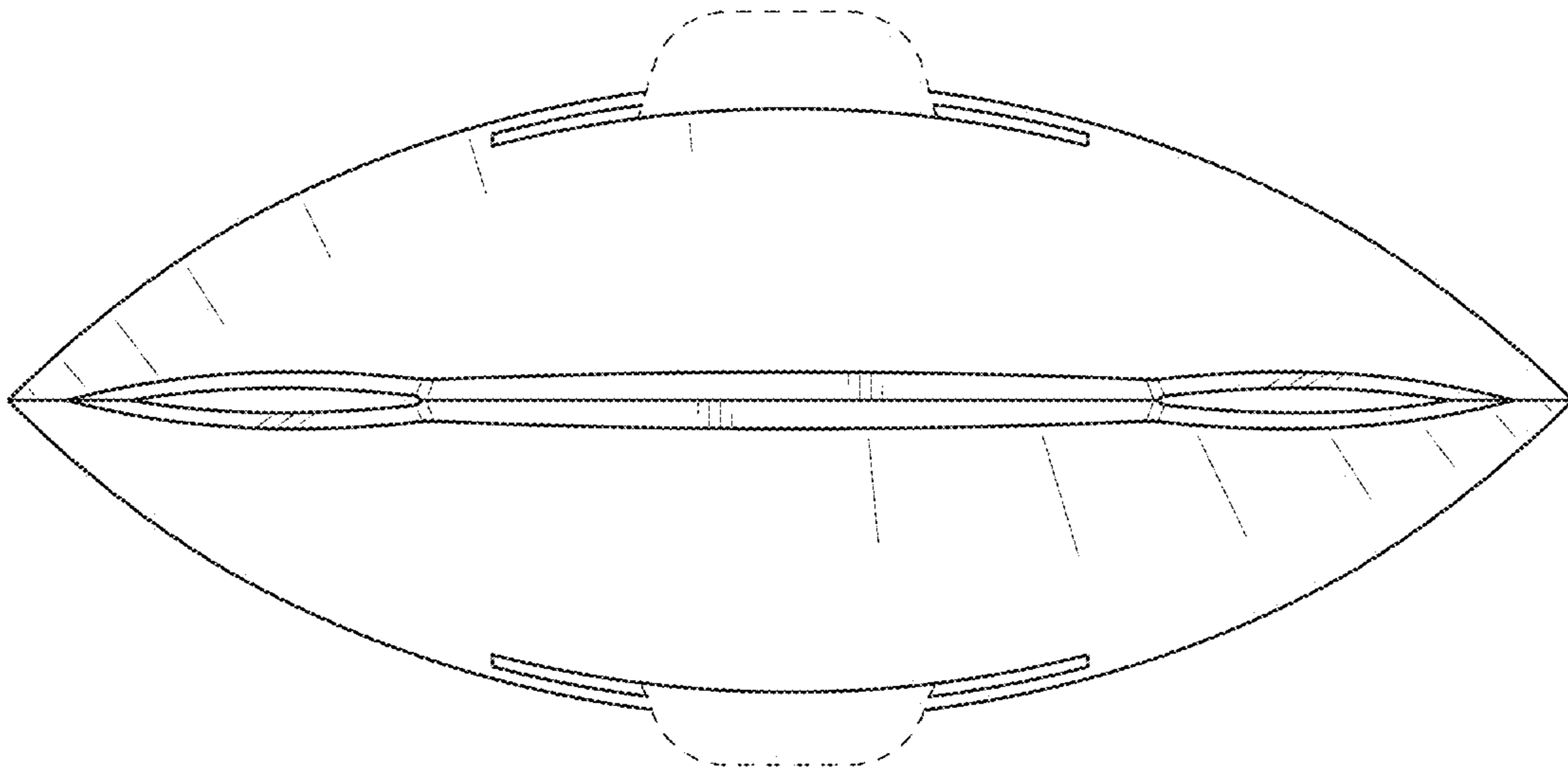


FIG. 4

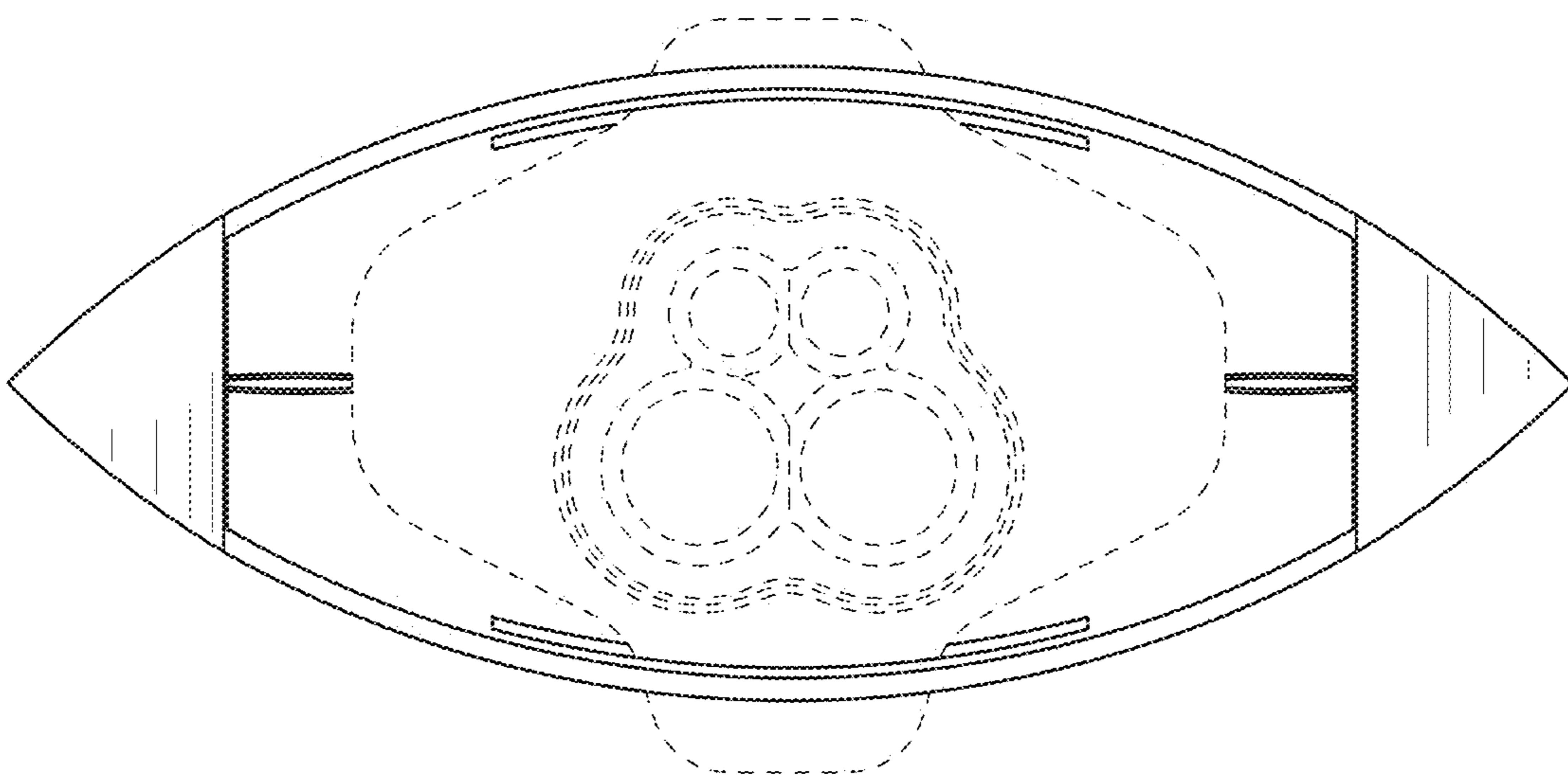


FIG. 5