



US00D966501S

(12) **United States Design Patent**  
**Yang et al.**

(10) **Patent No.:** **US D966,501 S**  
(45) **Date of Patent:** **\*\* Oct. 11, 2022**

(54) **ELECTRIC TOOTHBRUSH HEAD**

(71) Applicant: **Thumbs Up Innovations Technology Co., Ltd., Zhuhai (CN)**  
(72) Inventors: **Zhihui Yang, Zhuhai (CN); Yubin Li, Zhuhai (CN); Yuqiang Zhao, Zhuhai (CN); Xiu Zou, Zhuhai (CN); Zhidong Wang, Zhuhai (CN); Rongjin Zheng, Zhuhai (CN); Jiacheng Huang, Zhuhai (CN)**

(73) Assignee: **Thumbs Up Innovations Technology Co., Ltd., Zhuhai (CN)**

(\*\*) Term: **15 Years**

(21) Appl. No.: **29/751,031**

(22) Filed: **Sep. 17, 2020**

(51) **LOC (13) Cl.** ..... **28-03**

(52) **U.S. Cl.**  
USPC ..... **D24/113; D4/101**

(58) **Field of Classification Search**  
USPC ..... D4/100, 101, 105, 106, 107, 108, 109, D4/110, 111, 112, 113, 127, 128, 136, D4/138, 115, 104, 117, 152, 176; D24/111, 113  
CPC ..... A46B 15/007; A46B 5/02; A46B 9/04; A46B 2200/1066; A61C 17/032; A61C 17/227

See application file for complete search history.

(56) **References Cited**

**U.S. PATENT DOCUMENTS**

D171,434 S \* 2/1954 Borgfeldt ..... D7/300.2  
D203,103 S \* 12/1965 Gattone ..... D4/108

D314,238 S \* 1/1991 Gori ..... D24/112  
D704,024 S \* 5/2014 Tronconi ..... B25G 1/04  
D8/107  
D765,453 S \* 9/2016 Suquet ..... D7/682  
D778,433 S \* 2/2017 Li ..... D24/111  
D881,580 S \* 4/2020 Smigel ..... D4/111  
D890,917 S \* 7/2020 Taylor ..... D24/111  
D939,691 S \* 12/2021 Bessho ..... D24/111  
D948,033 S \* 4/2022 Fang ..... D24/111  
D948,872 S \* 4/2022 Lowe ..... D4/108

**FOREIGN PATENT DOCUMENTS**

CN 306355088 \* 2/2021  
CN 306606168 \* 6/2021

\* cited by examiner

*Primary Examiner* — Karen E Eldridge Powers  
(74) *Attorney, Agent, or Firm* — ScienBiziP, P.C.

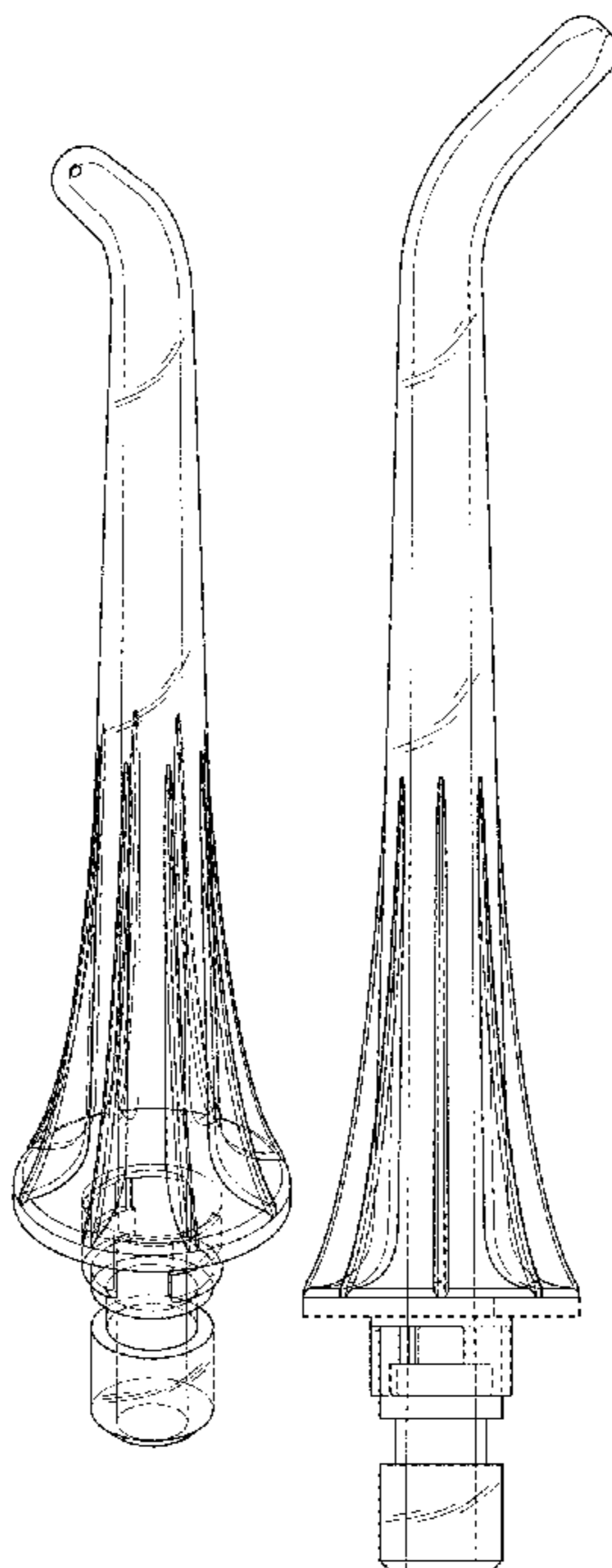
(57) **CLAIM**

The ornamental design for an electric toothbrush head, as shown and described.

**DESCRIPTION**

FIG. 1 is a perspective view of an electric toothbrush head, showing our design.  
FIG. 2 is a front elevation view thereof.  
FIG. 3 is a rear elevation view thereof.  
FIG. 4 is a left side elevation thereof.  
FIG. 5 is a right side elevation thereof.  
FIG. 6 is a top plan view thereof; and,  
FIG. 7 is a bottom plan view thereof.

**1 Claim, 6 Drawing Sheets**



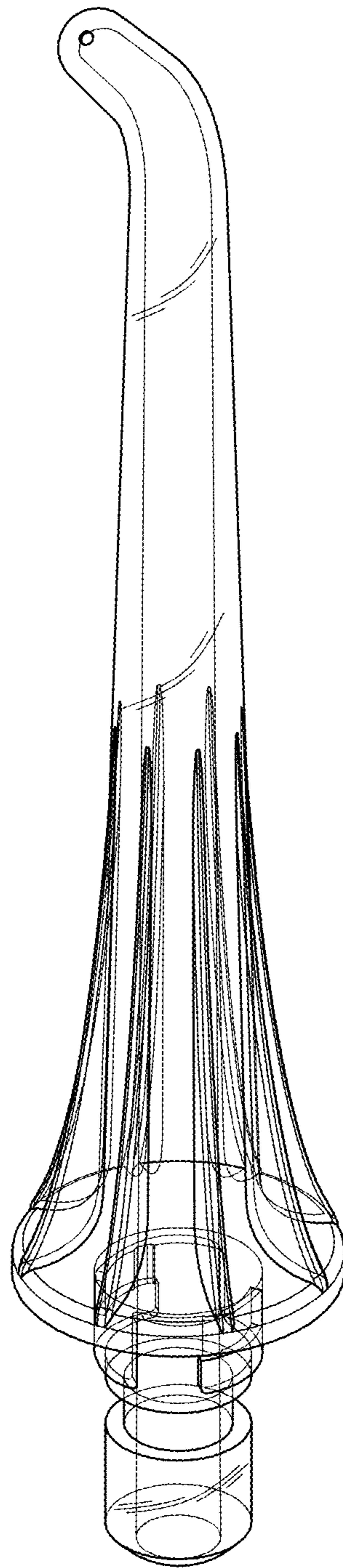


FIG.1

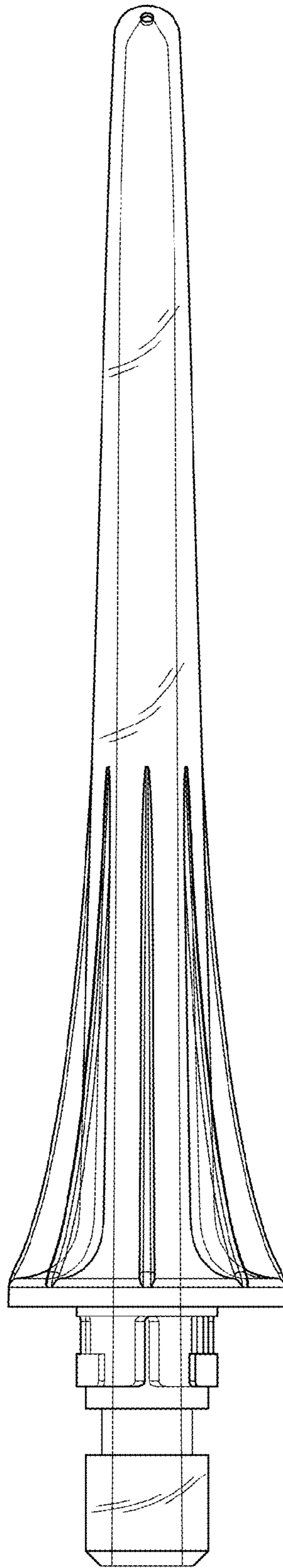


FIG.2

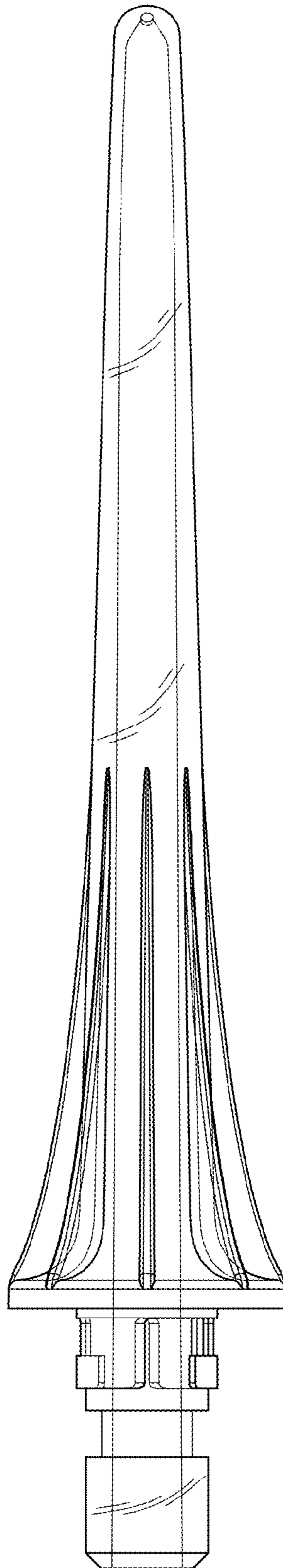


FIG.3

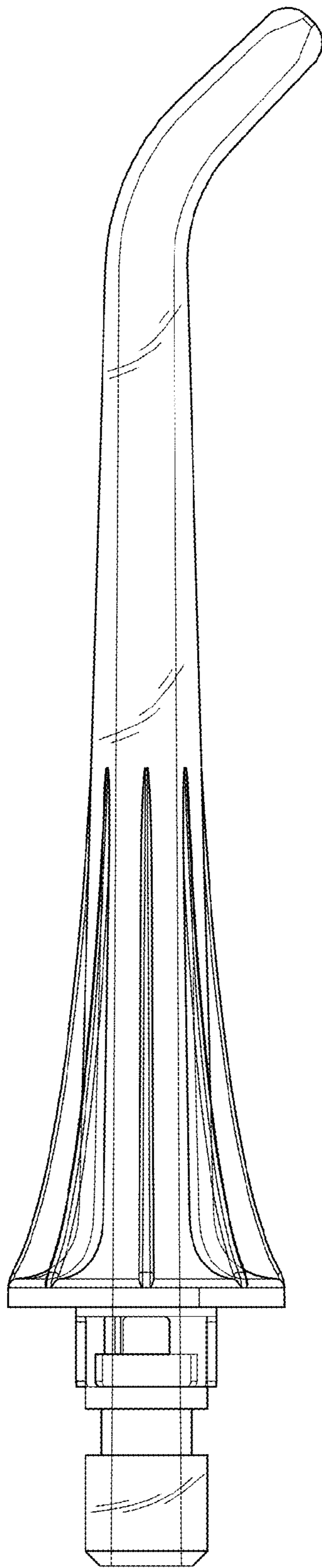


FIG.4

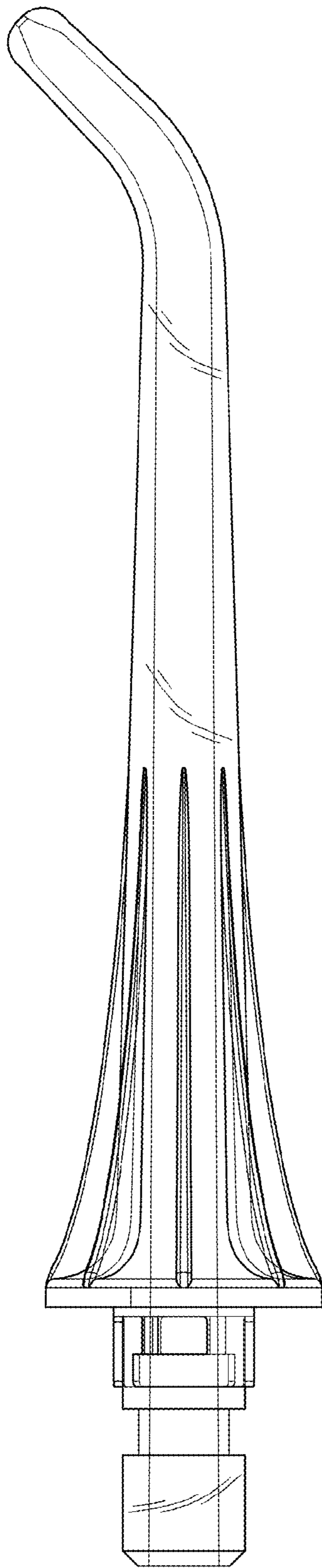


FIG.5

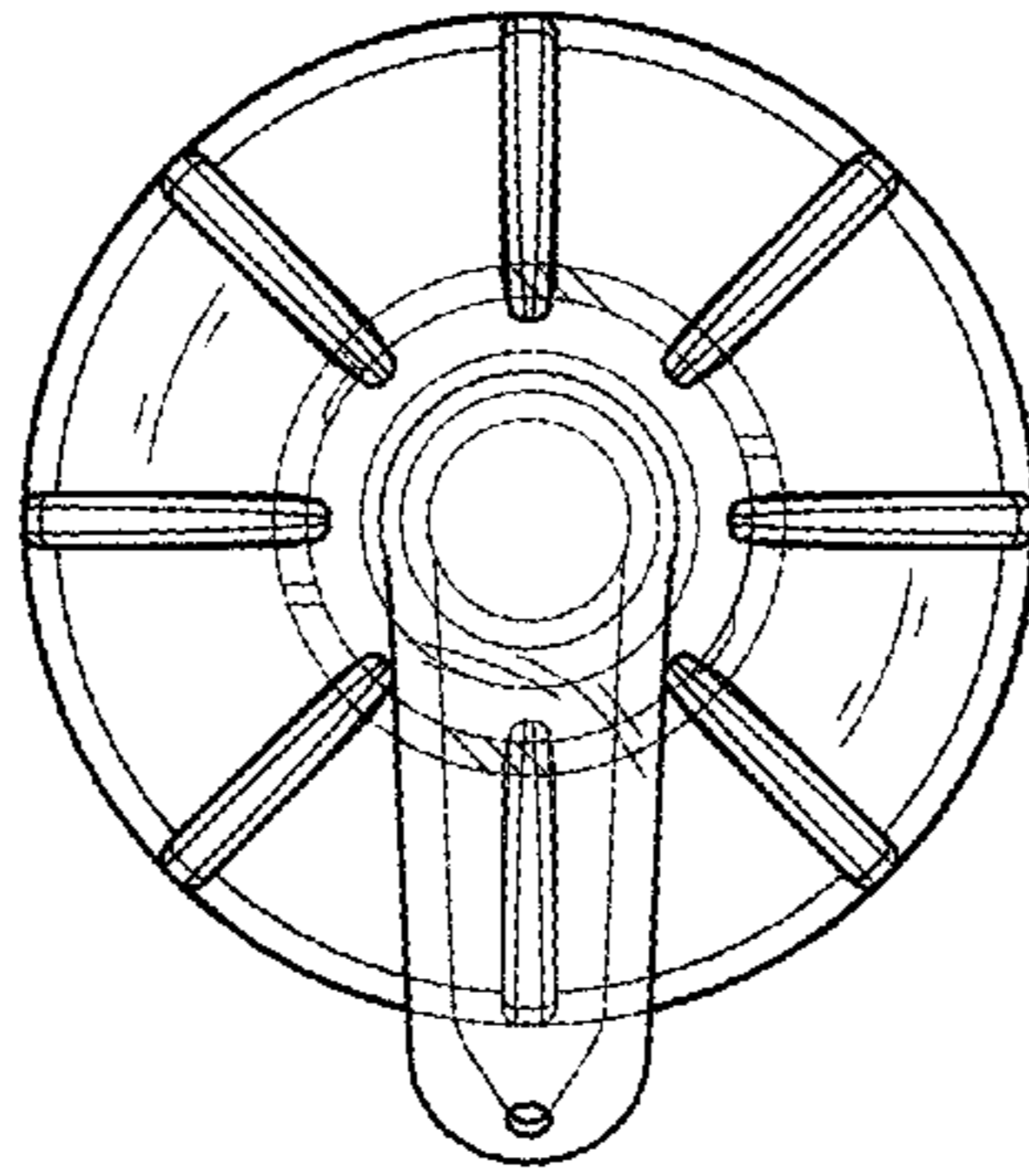


FIG. 6

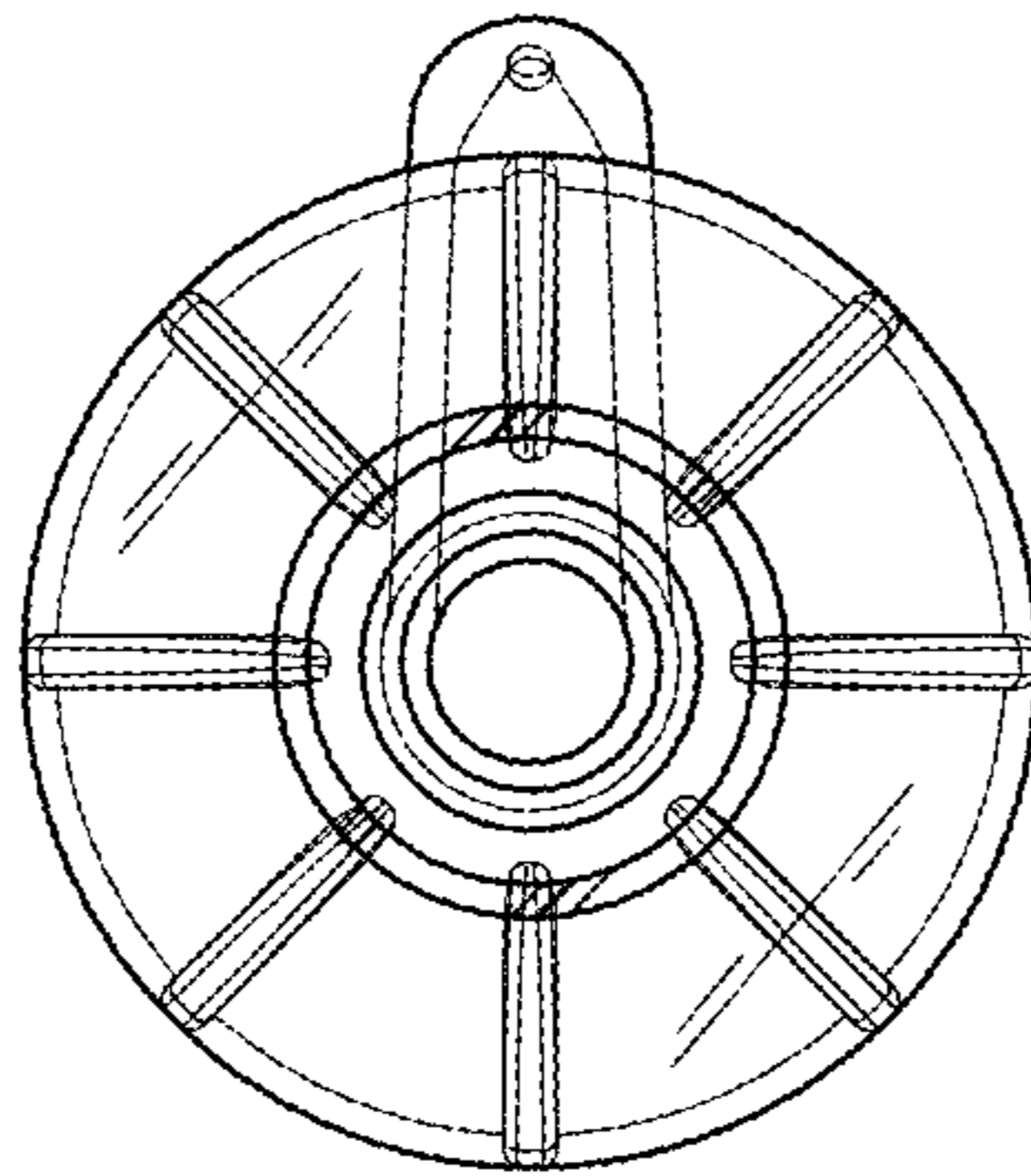


FIG. 7