



US00D966500S

(12) **United States Design Patent** (10) **Patent No.:** **US D966,500 S**
Senff et al. (45) **Date of Patent:** **** Oct. 11, 2022**

(54) **ORAL IRRIGATOR**
(71) Applicant: **WATER PIK, INC.**, Fort Collins, CO (US)
(72) Inventors: **Oscar Senff**, Broomfield, CO (US);
Jeffrey Ladwig, Seattle, WA (US);
Adam Weisgerber, Shoreline, WA (US)
(73) Assignee: **WATER PIK, INC.**, Fort Collins, CO (US)
(**) Term: **15 Years**
(21) Appl. No.: **29/830,000**
(22) Filed: **Mar. 9, 2022**

Related U.S. Application Data

(63) Continuation of application No. 29/816,764, filed on Nov. 24, 2021, now Pat. No. Des. 952,833, which is a continuation of application No. 29/770,118, filed on Feb. 9, 2021, now Pat. No. Des. 940,301, which is a continuation of application No. 29/705,391, filed on Sep. 11, 2019, now Pat. No. Des. 913,485.
(51) **LOC (13) Cl.** **28-03**
(52) **U.S. Cl.**
USPC **D24/111**
(58) **Field of Classification Search**
USPC D24/111, 108, 112-115, 117, 152, 176;
D4/100, 101; D9/454
CPC A61C 17/00; A61C 17/005; A61C 17/02;
A61C 17/0202; A61C 17/0205; A61C
17/0211; A61C 17/16; A61C 17/22; A61C
17/222; A61C 17/225; A61C 17/227;
A61C 17/28; A61C 17/32; A61C 17/34;
A61C 17/36

See application file for complete search history.

(56) **References Cited**
U.S. PATENT DOCUMENTS
3,425,410 A 2/1969 Cammack
D426,633 S * 6/2000 Bachman A61C 17/0205
D24/111
D565,175 S 3/2008 Boyd et al.
(Continued)

FOREIGN PATENT DOCUMENTS
CN 004364990-0001 10/2017
JP 1657958 4/2020
(Continued)

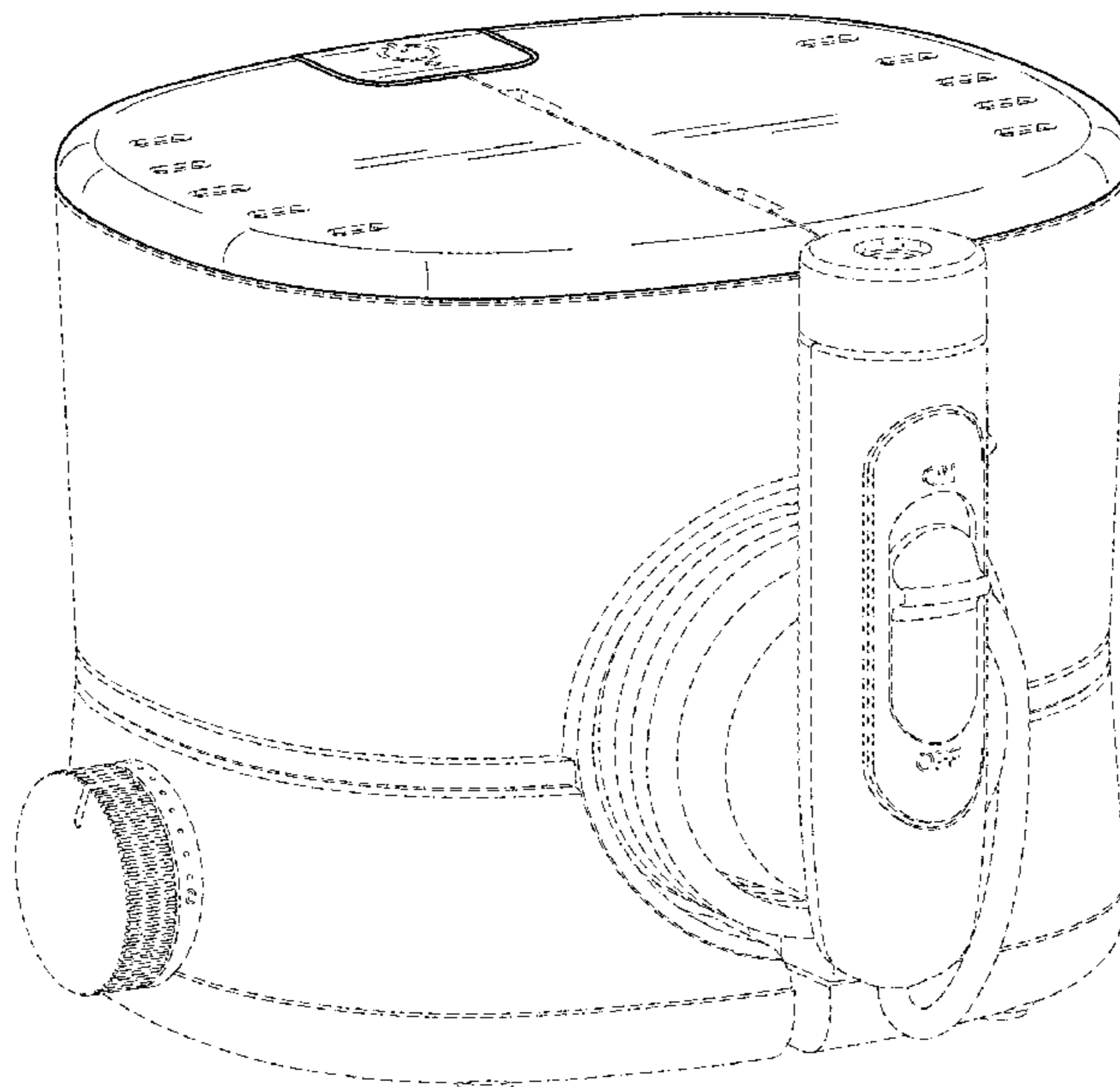
OTHER PUBLICATIONS
Waterpik Ion Cordless Water Flosser WF-11. Walmart. Oldest review date: Jan. 17, 2021. Retrieval date: Dec. 15, 2021. Retrieved from internet: <https://www.walmart.com/ip/Waterpik-Ion-Cordless-Water-Flosser-WF-11/276677268> (Year: 2021).*
(Continued)

Primary Examiner — Mary Shannon Malley
Assistant Examiner — Lee D. Starr
(74) *Attorney, Agent, or Firm* — Dorsey & Whitney LLP

(57) **CLAIM**
We claim the ornamental design for an oral irrigator, as shown and described.

DESCRIPTION
FIG. 1 is a front isometric view of an oral irrigator.
FIG. 2 is a front elevation view thereof.
FIG. 3 is a rear elevation view thereof.
FIG. 4 is a left side elevation view thereof.
FIG. 5 is a right side elevation view thereof.
FIG. 6 is a top plan view thereof; and,
FIG. 7 is a bottom plan view thereof.
The broken lines illustrate portions of the oral irrigator that form no part of the claimed design.

1 Claim, 7 Drawing Sheets



(56)

References Cited

U.S. PATENT DOCUMENTS

D714,929 S 10/2014 Kim et al.
 8,888,727 B2 11/2014 Boyd et al.
 D740,936 S 10/2015 Kim et al.
 D782,657 S 3/2017 Williams
 D783,810 S 4/2017 Kim et al.
 D786,422 S 5/2017 Au et al.
 9,642,677 B2 5/2017 Luetgen et al.
 D794,773 S 8/2017 Senff et al.
 D796,028 S 8/2017 Senff et al.
 D798,440 S 9/2017 Kim et al.
 D802,119 S 11/2017 Kim
 D809,650 S 2/2018 Kim et al.
 9,980,793 B2 5/2018 Wagner et al.
 D822,196 S 7/2018 Kim
 D822,825 S 7/2018 Au et al.
 D822,826 S 7/2018 Au et al.
 10,016,254 B2 7/2018 Luttegen
 10,022,207 B2 7/2018 Taylor et al.
 D825,741 S 8/2018 Massie et al.
 D829,886 S 10/2018 Massie et al.
 D829,887 S 10/2018 Massie
 D832,418 S 10/2018 Porter et al.
 D832,419 S 10/2018 Porter et al.
 D832,420 S 10/2018 Porter et al.
 D833,000 S 11/2018 Porter et al.
 D833,600 S 11/2018 Porter et al.
 D833,601 S 11/2018 Massie et al.
 D833,602 S 11/2018 Massie et al.
 D834,180 S 11/2018 Porter et al.
 D839,409 S 1/2019 Massie et al.
 D840,022 S 2/2019 Porter et al.
 D840,023 S 2/2019 Massie et al.
 D851,239 S 6/2019 Chen
 D857,881 S 8/2019 Massie et al.
 D858,750 S 9/2019 Porter et al.
 D859,644 S 9/2019 Porter et al.
 D867,579 S 11/2019 Porter et al.
 D872,855 S 1/2020 Porter et al.
 D877,324 S 3/2020 Massie et al.

D880,688 S 4/2020 Kim
 D889,636 S 7/2020 Senff et al.
 D893,017 S * 8/2020 Porter D24/111
 D896,953 S * 9/2020 Kim D24/111
 10,779,922 B2 9/2020 Wagner et al.
 D901,675 S 11/2020 Ross et al.
 D907,196 S * 1/2021 Ross D24/111
 D907,197 S * 1/2021 Ross D24/111
 D912,241 S 3/2021 Senff et al.
 D913,485 S * 3/2021 Senff A61C 1/088
 D24/111
 11,104,565 B2 * 8/2021 Cazeneuve A46B 11/0065
 D936,210 S * 11/2021 Yu A61C 17/0205
 D24/111
 D947,367 S * 3/2022 Senff D24/111
 D948,031 S * 4/2022 Senff D24/111
 2017/0209234 A1 7/2017 Senff et al.
 2018/0168784 A1 6/2018 Wagner et al.
 2018/0168785 A1 6/2018 Wagner et al.
 2018/0263742 A1 9/2018 Taylor et al.
 2020/0268494 A1 8/2020 Senff
 2021/0338376 A1 * 11/2021 Senff A61C 1/088
 2022/0023019 A1 * 1/2022 Wagner A61C 17/0202

FOREIGN PATENT DOCUMENTS

JP 1664832 7/2020
 KR 3009765780000 10/2018
 KR 3010575510002 * 7/2020

OTHER PUBLICATIONS

Design U.S. Appl. No. 29/668,454, filed Oct. 30, 2018, entitled "Oral Irrigator Handle".
 Design U.S. Appl. No. 29/668,462, filed Oct. 30, 2018, entitled "Oral Irrigator Reservoir".
 Design U.S. Appl. No. 29/668,464, filed Oct. 30, 2018, entitled "Oral Irrigator".
 U.S. Appl. No. 62/809,466, filed Feb. 22, 2019, entitled "Countertop Water Flosser".

* cited by examiner

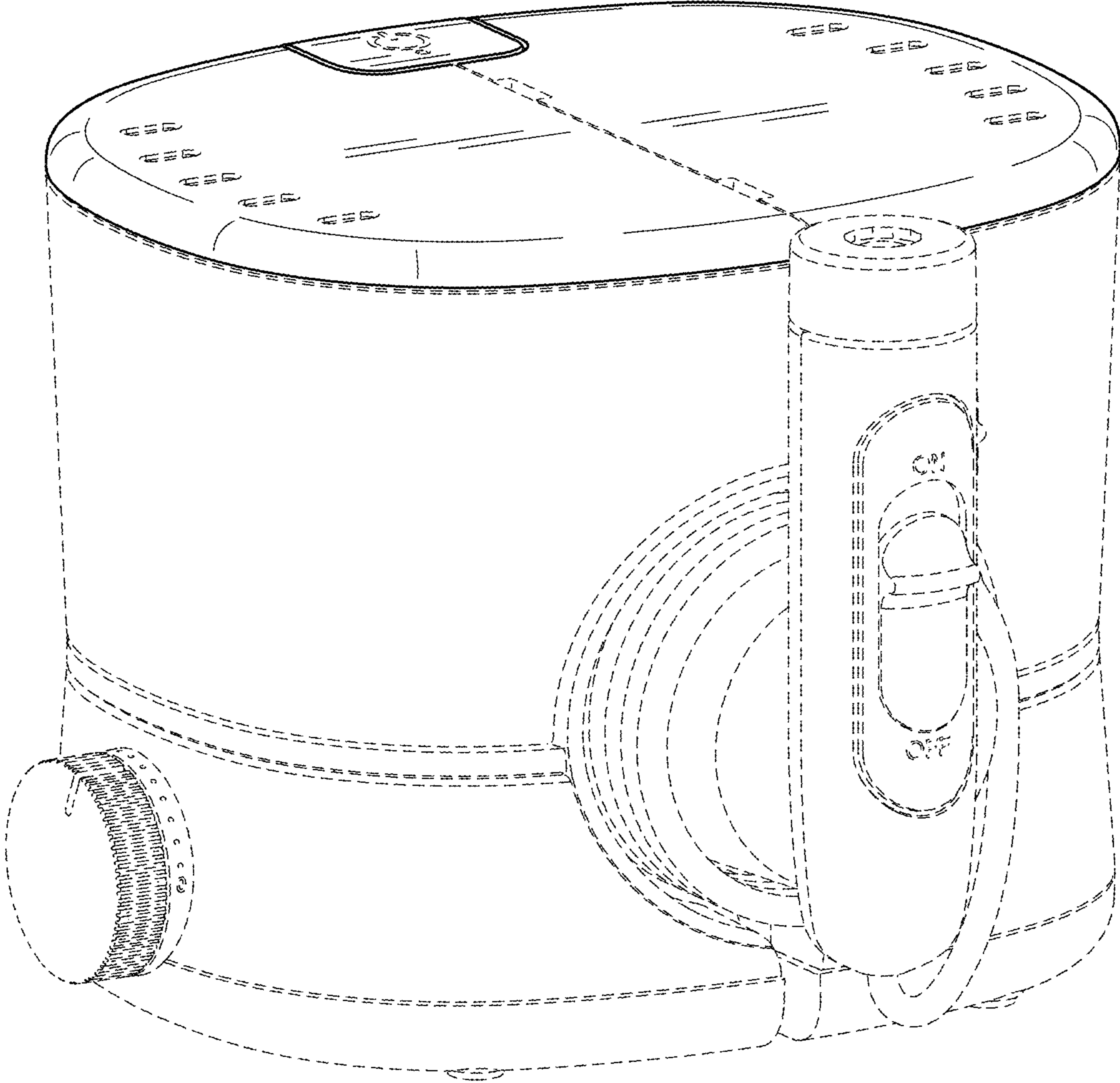


FIG. 1

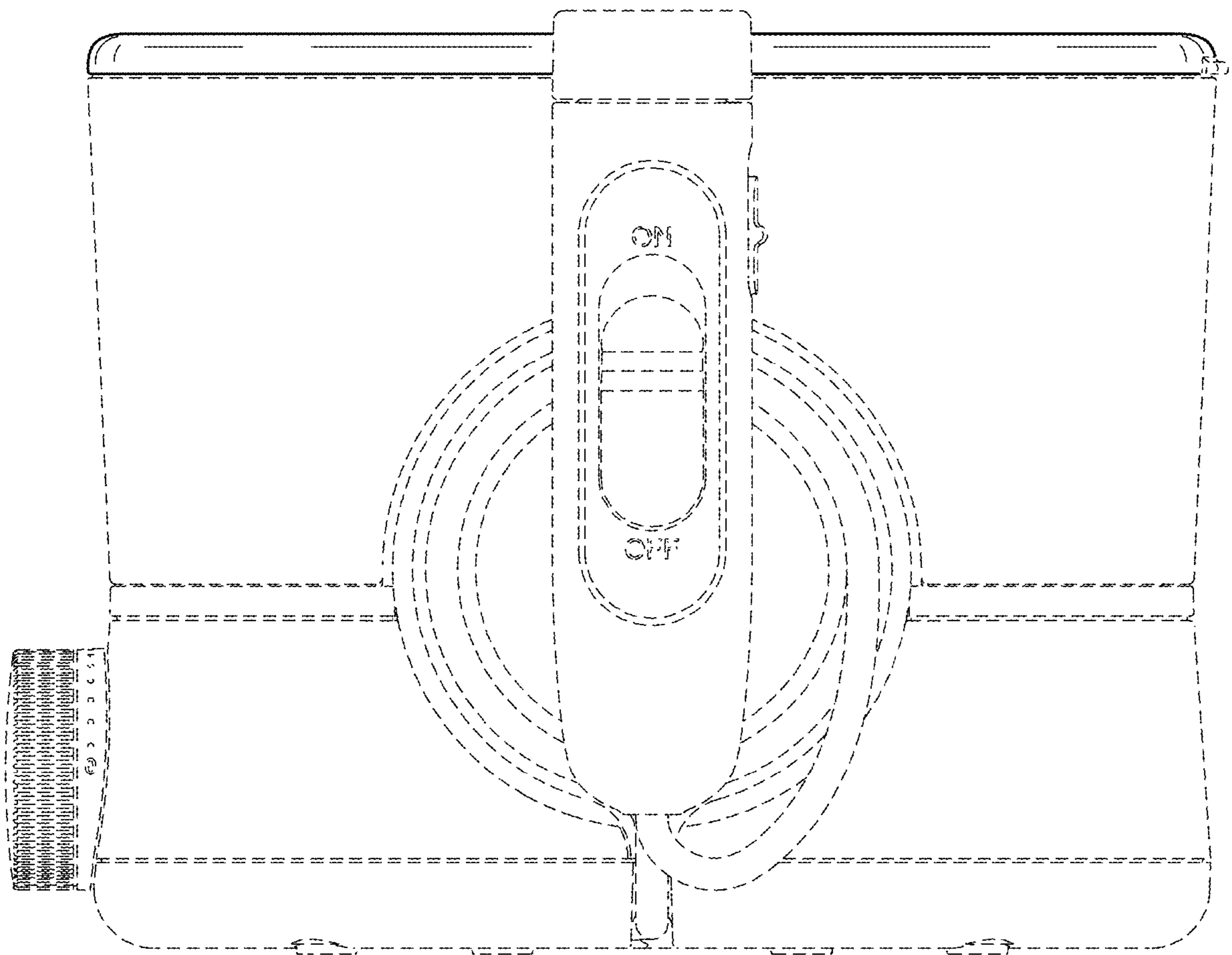


FIG. 2

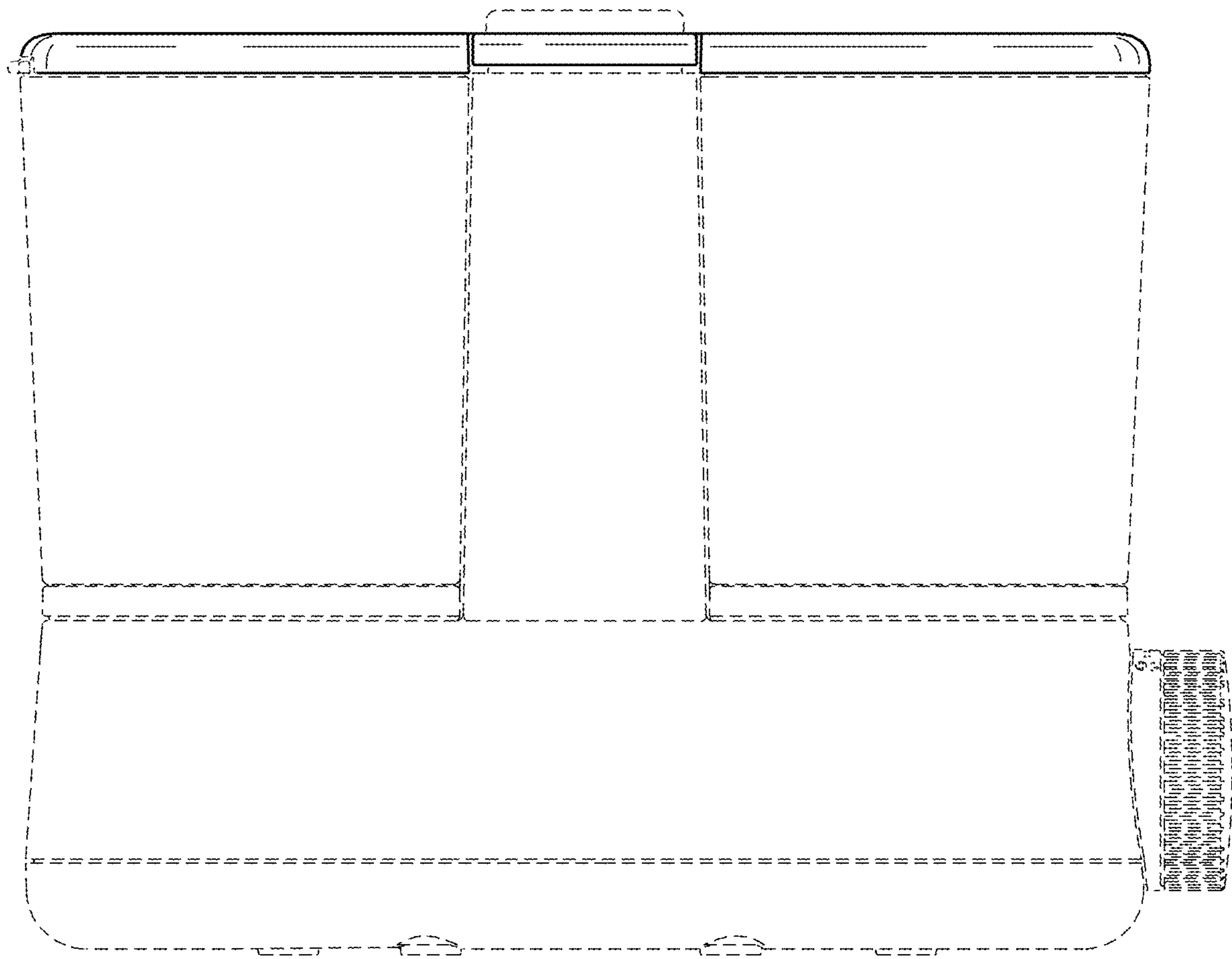


FIG. 3

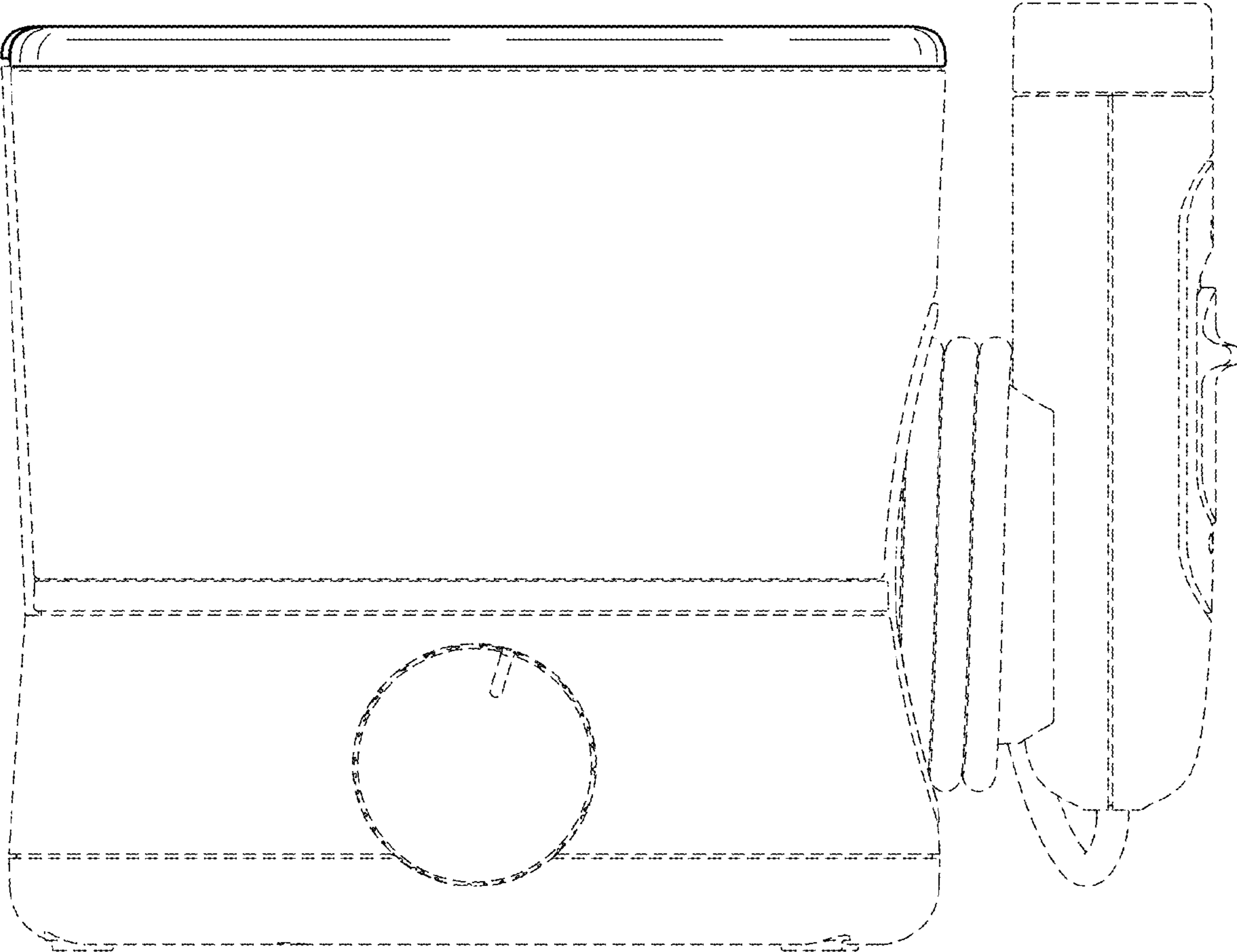


FIG. 4

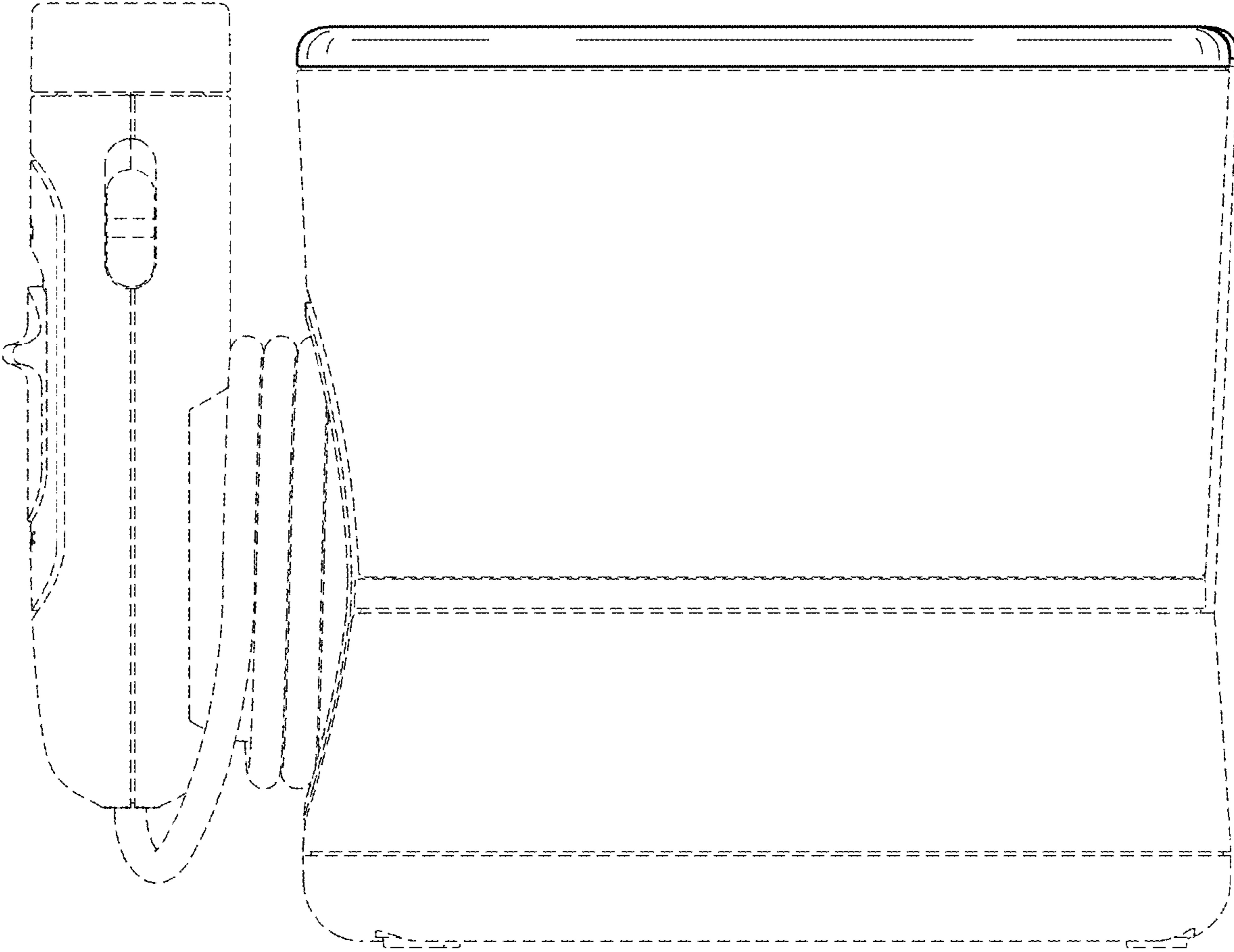


FIG. 5

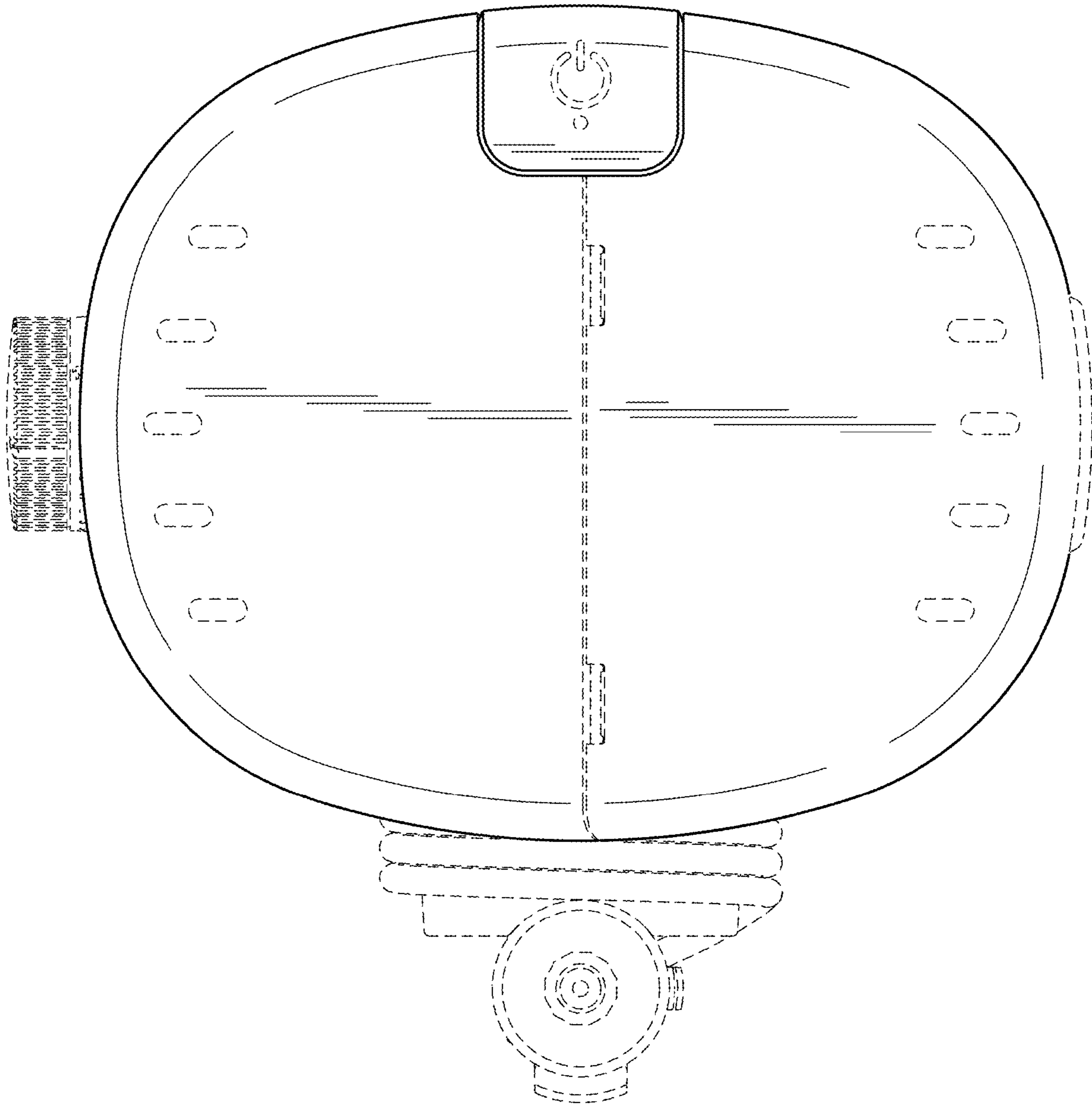


FIG. 6

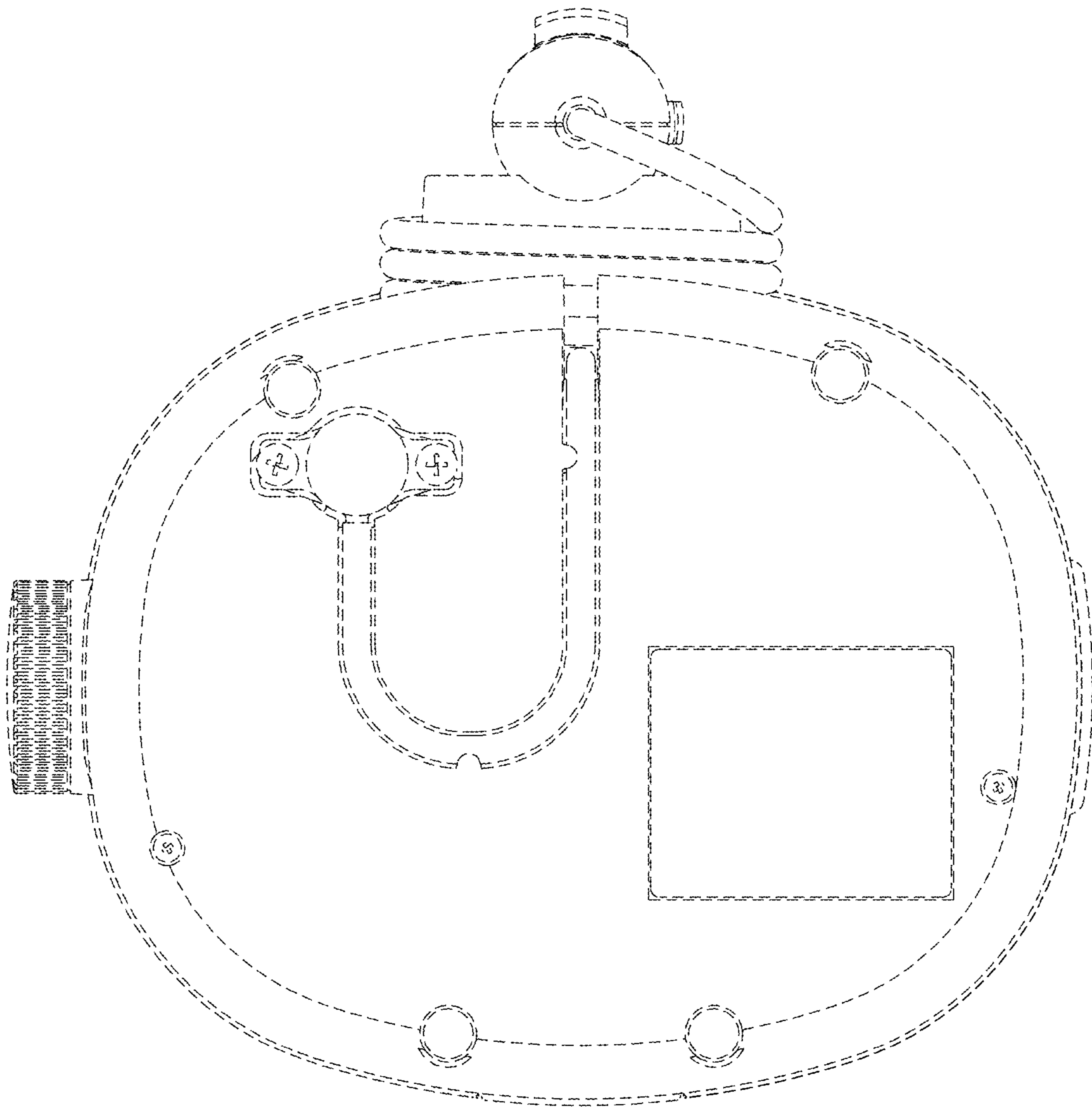


FIG. 7