

US00D966494S

(12) **United States Design Patent** (10) **Patent No.:** **US D966,494 S**  
**Smit** (45) **Date of Patent:** **\*\* Oct. 11, 2022**

(54) **EARPLUG SET**  
(71) Applicant: **CHRONOTECH (PTY) LTD,**  
Stellenbosch (ZA)  
(72) Inventor: **Nicolaas Hendrik Smit,** Stellenbosch  
(ZA)

D330,761 S \* 11/1992 Falco ..... A61F 11/085  
D24/106  
5,781,272 A \* 7/1998 Bright ..... A61F 9/029  
351/123  
D409,743 S \* 5/1999 Falco ..... D24/106  
D427,304 S \* 6/2000 Magidson ..... D24/106  
D436,164 S \* 1/2001 Foslien ..... D24/106  
(Continued)

(73) Assignee: **ChronoTech (Pty) LTD,** Stellenbosch  
(ZA)

**FOREIGN PATENT DOCUMENTS**

(\*\*) Term: **15 Years**

KR 300968771.0000 \* 8/2018

(21) Appl. No.: **29/725,020**

**OTHER PUBLICATIONS**

(22) Filed: **Feb. 21, 2020**

Pluxone YouTube <https://www.youtube.com/watch?v=fz9O9LA5PLQ>  
Sep. 24, 2019 (Year: 2019).\*

(30) **Foreign Application Priority Data**

*Primary Examiner* — Leanne Was-Englehart  
(74) *Attorney, Agent, or Firm* — Dinsmore & Shohl LLP

Aug. 21, 2019 (ZA) ..... A2019/01137

(51) **LOC (13) Cl.** ..... **24-04**

(52) **U.S. Cl.**  
USPC ..... **D24/106**

(58) **Field of Classification Search**  
USPC ..... D24/106, 173, 174; D14/223; D29/112  
CPC ... A61F 11/08; A61F 2011/085; H04R 1/1016  
See application file for complete search history.

(57) **CLAIM**

The ornamental design for an earplug set, as shown and described.

(56) **References Cited**

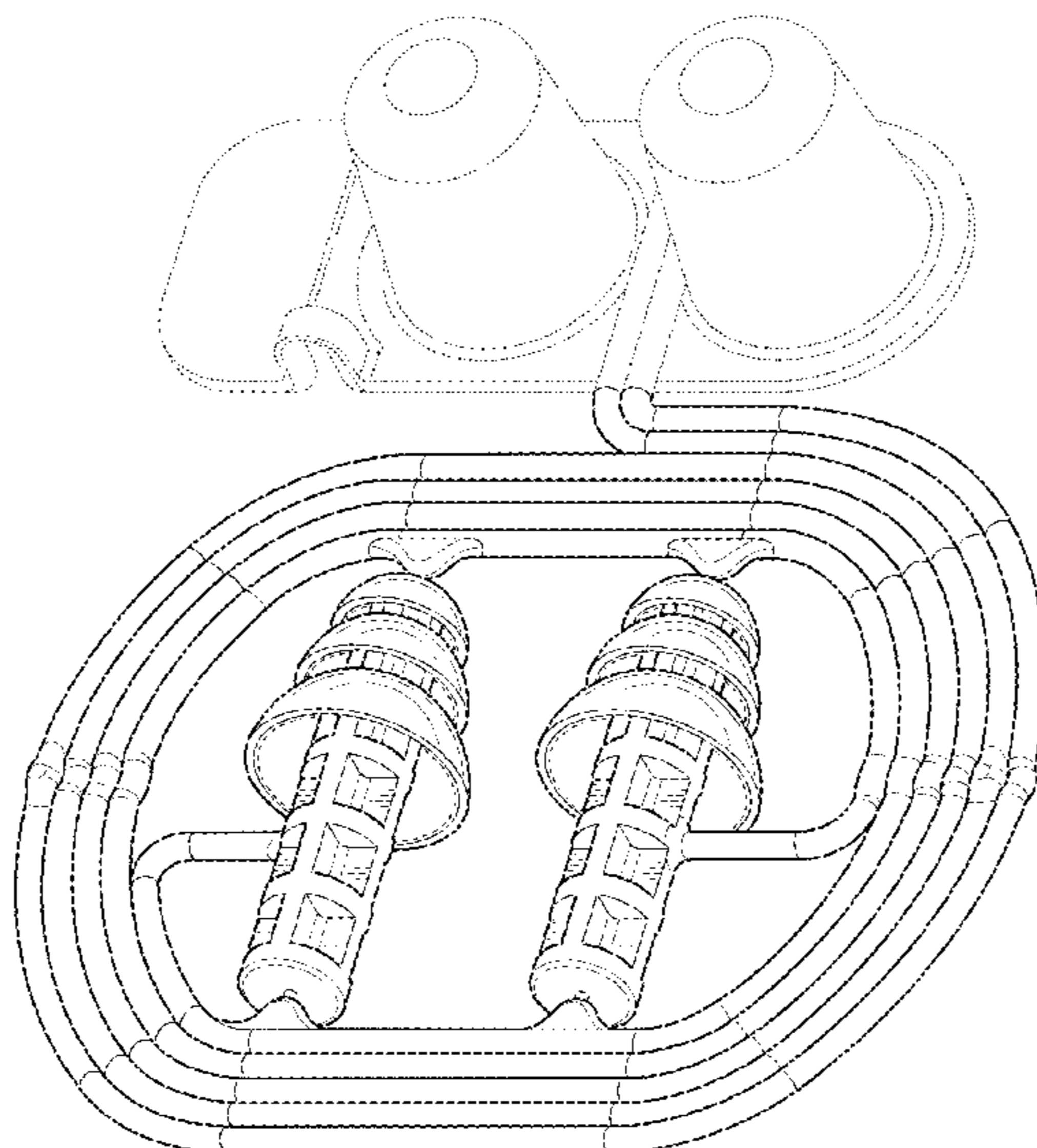
**DESCRIPTION**

**U.S. PATENT DOCUMENTS**

FIG. 1 is a top view of an earplug set in accordance with the present invention;  
FIG. 2 is a bottom view thereof;  
FIG. 3 is a front view thereof;  
FIG. 4 is a left side view thereof;  
FIG. 5 is a right side view thereof;  
FIG. 6 is a rear view thereof;  
FIG. 7 is a top perspective view thereof;  
FIG. 8 is a bottom perspective view thereof;  
FIG. 9 is a cross-sectional view of the earplug set taken along line 9-9 of FIG. 1;  
FIG. 10 is a cross-sectional view of the earplug set taken along line 10-10 of FIG. 1; and,  
FIG. 11 is a cross-sectional view of the earplug set taken along line 11-11 of FIG. 1.

- D195,322 S \* 5/1963 Hill ..... D24/106
- D234,321 S \* 2/1975 Visor ..... D24/106
- 3,871,372 A \* 3/1975 Bivins ..... G02C 11/00  
D24/106
- D239,416 S \* 3/1976 Visor ..... D24/106
- D241,881 S \* 10/1976 Peterson et al. .... D24/106
- D251,017 S \* 2/1979 Amezcua ..... D24/106
- D253,723 S \* 12/1979 Leight ..... D24/106
- 4,219,018 A \* 8/1980 Draper, Jr. .... A61F 11/12  
128/864
- 4,314,553 A 2/1982 Westerdal
- D298,356 S \* 11/1988 Falco ..... D24/106

**1 Claim, 6 Drawing Sheets**



(56)

**References Cited**

U.S. PATENT DOCUMENTS

D492,766 S \* 7/2004 Falco ..... A61F 11/08  
D24/106  
7,967,015 B2 6/2011 Jenkins, Jr.  
D707,660 S \* 6/2014 Yang ..... H04R 1/10  
D14/223  
2003/0172938 A1\* 9/2003 Falco ..... A61F 11/08  
128/864  
2005/0094835 A1\* 5/2005 Doty ..... A61F 11/12  
381/328  
2006/0162992 A1 7/2006 Seville  
2006/0213525 A1 9/2006 Matsumoto  
2007/0000499 A1\* 1/2007 Buck ..... A61F 11/08  
128/864  
2007/0183606 A1\* 8/2007 Doty ..... A61F 11/12  
381/72  
2008/0011308 A1 1/2008 Fleming  
2013/0126262 A1\* 5/2013 Wilmink ..... A61F 11/08  
181/135  
2017/0319392 A1\* 11/2017 Knudsen ..... H04R 1/1083  
2018/0250168 A1\* 9/2018 Herring ..... H04R 5/033  
2021/0186761 A1\* 6/2021 Smit ..... A61F 11/08

\* cited by examiner

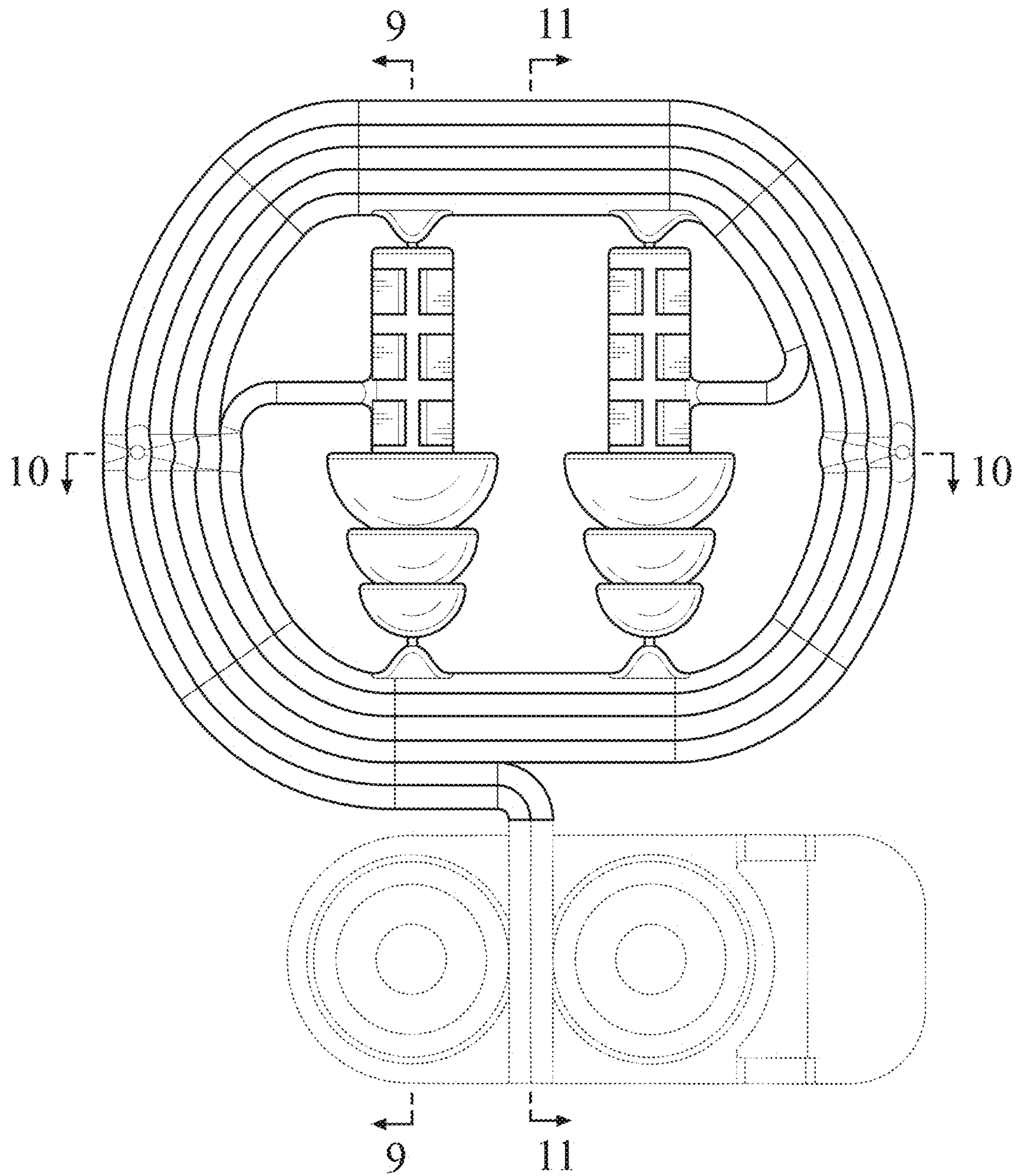


FIG. 1

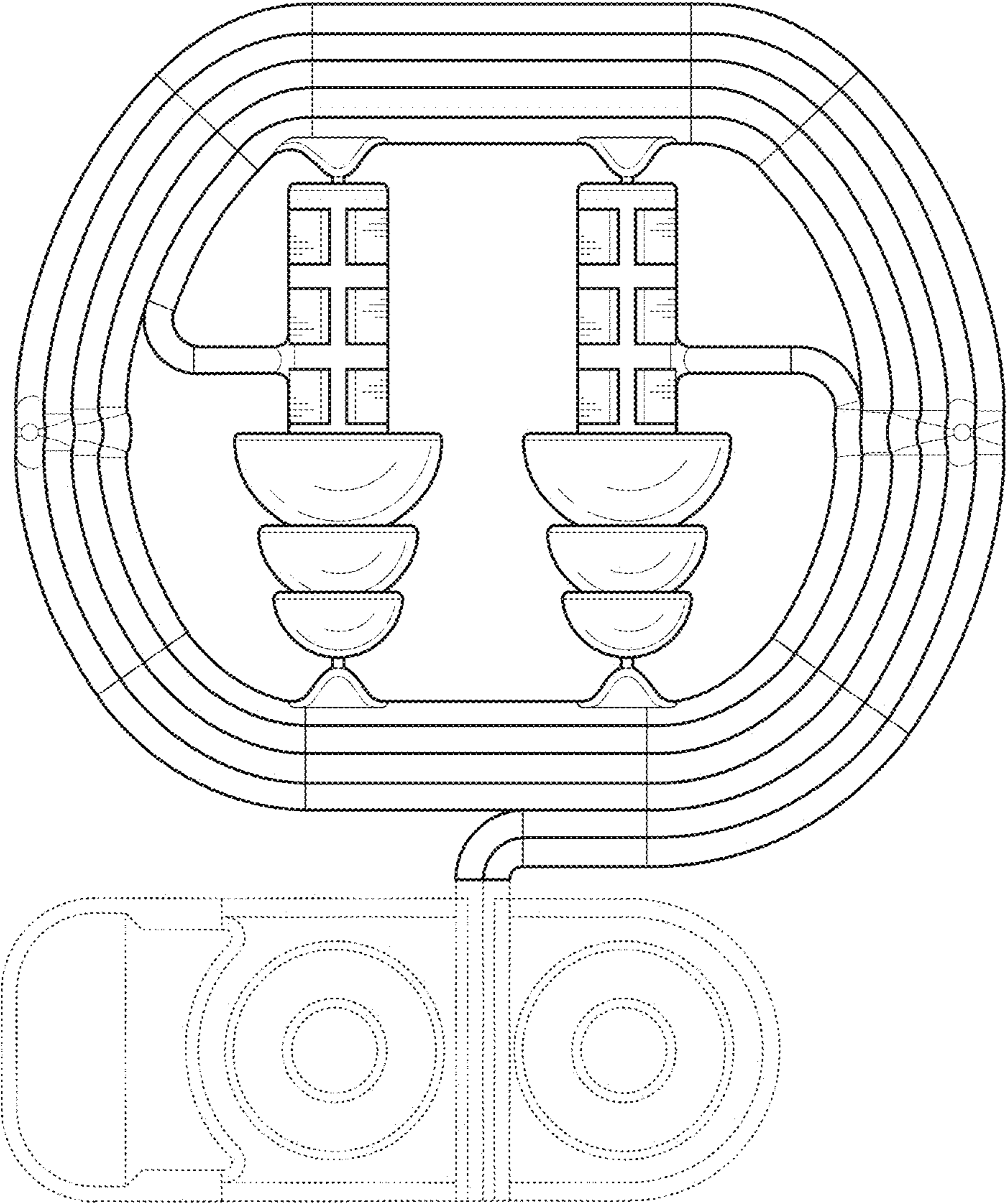
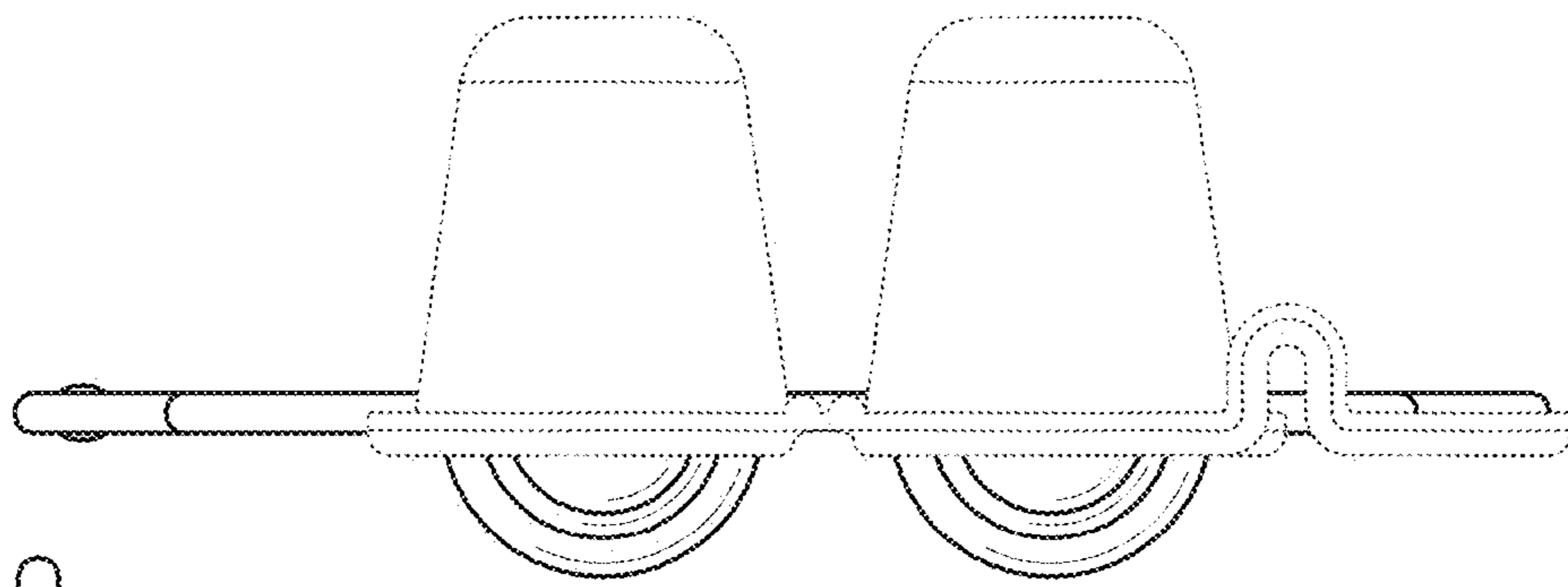
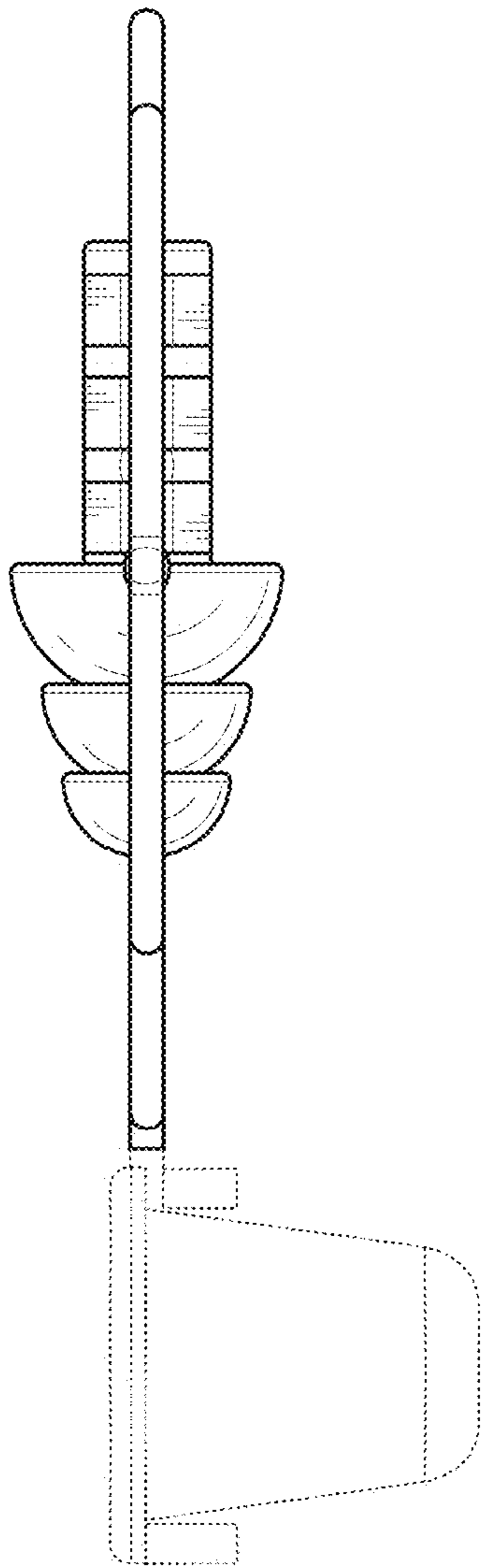


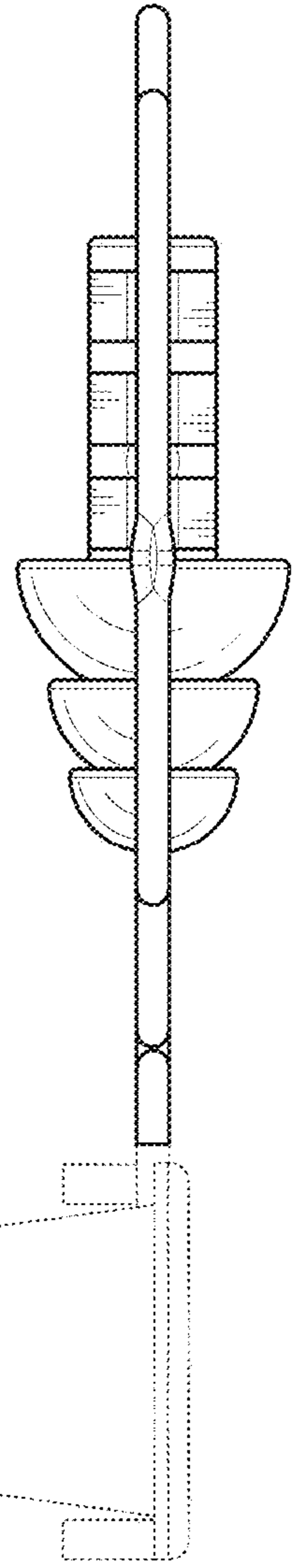
FIG. 2



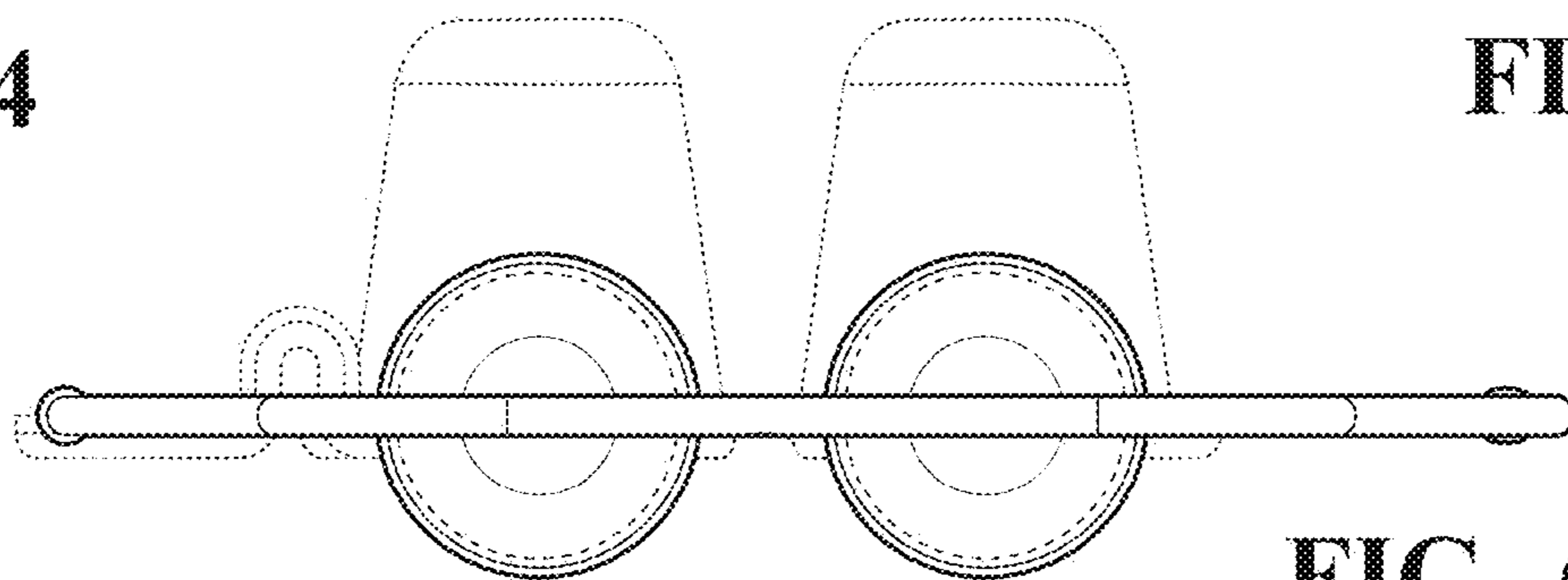
**FIG. 3**



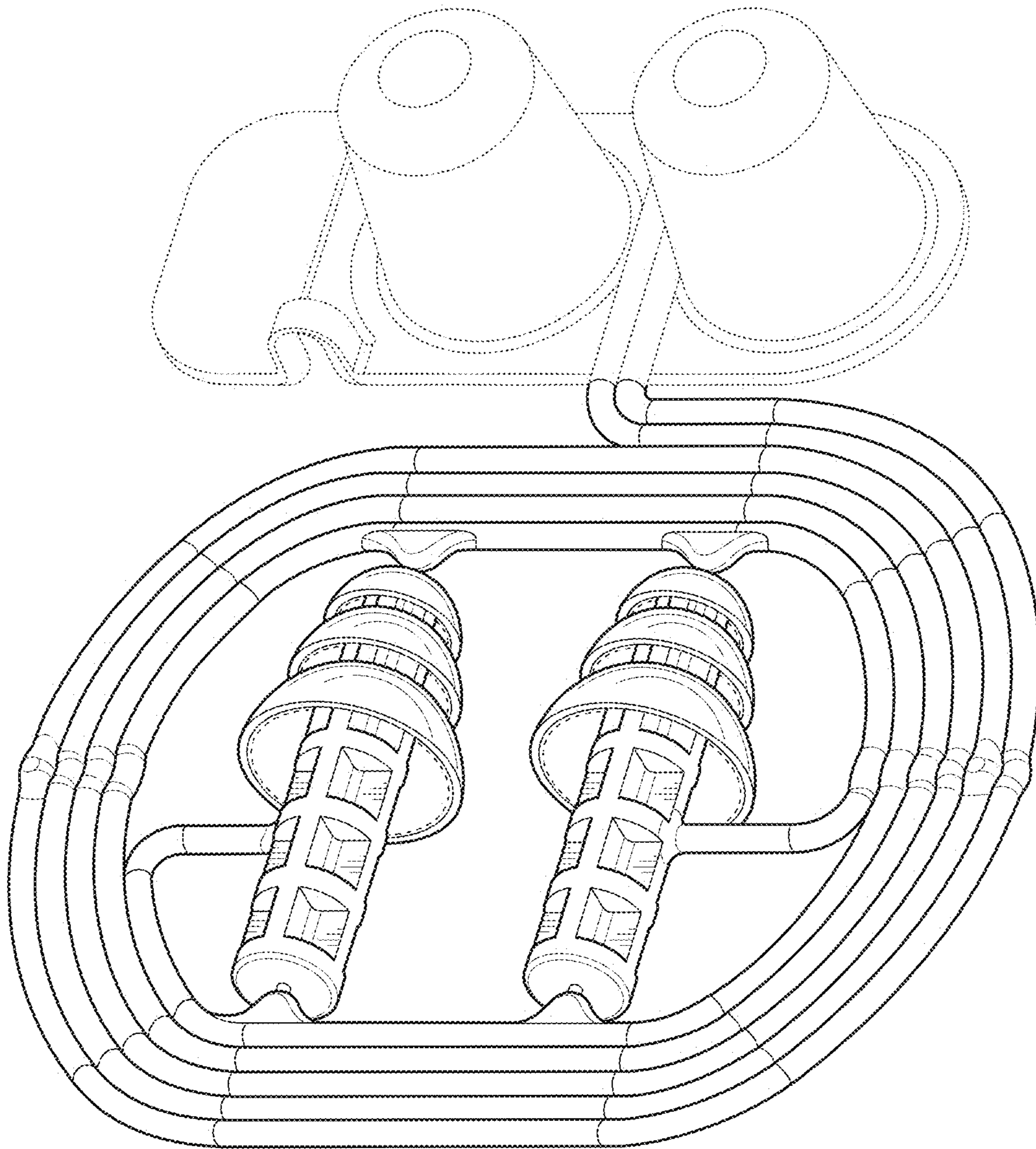
**FIG. 4**



**FIG. 5**



**FIG. 6**



**FIG. 7**

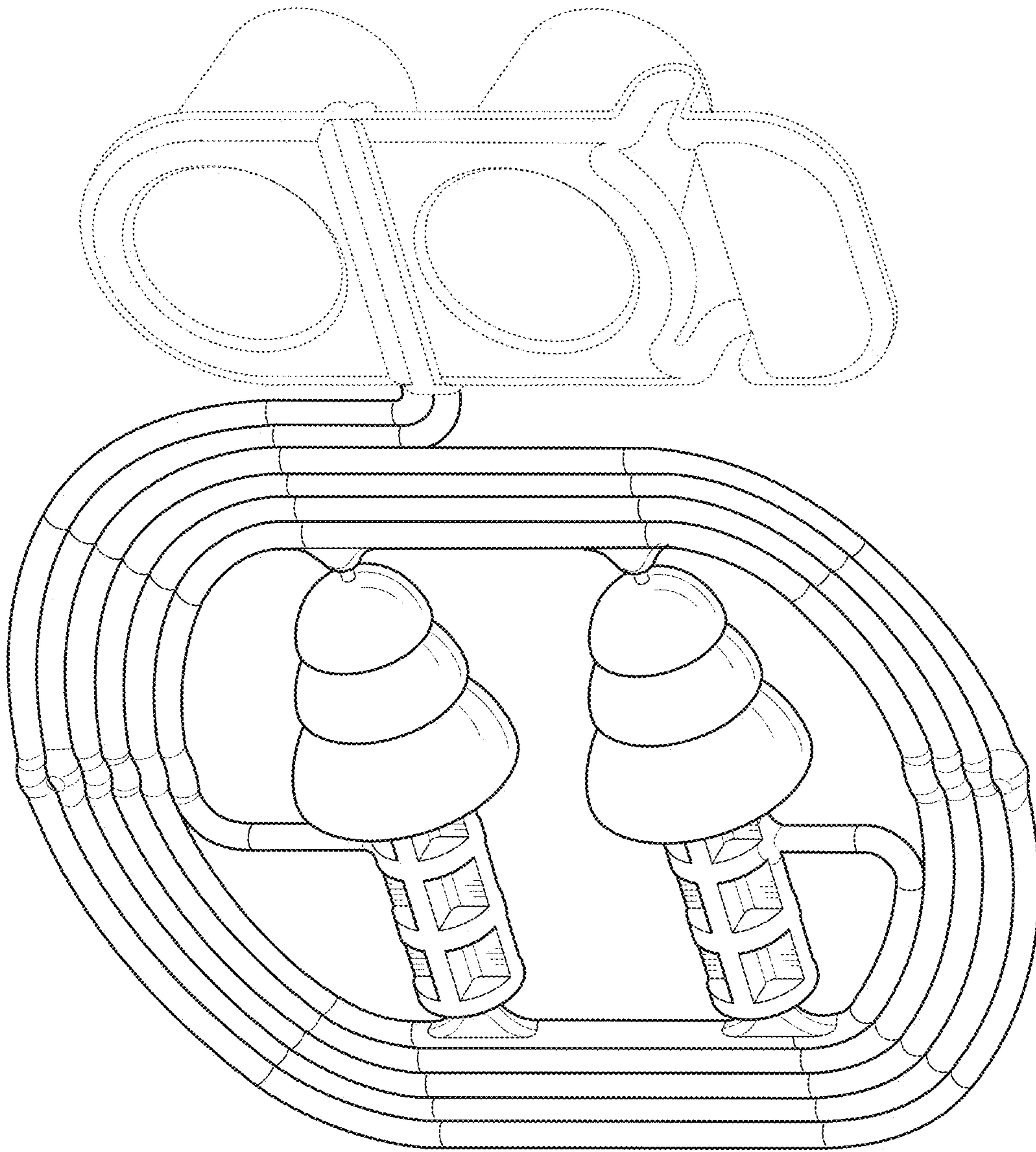


FIG. 8

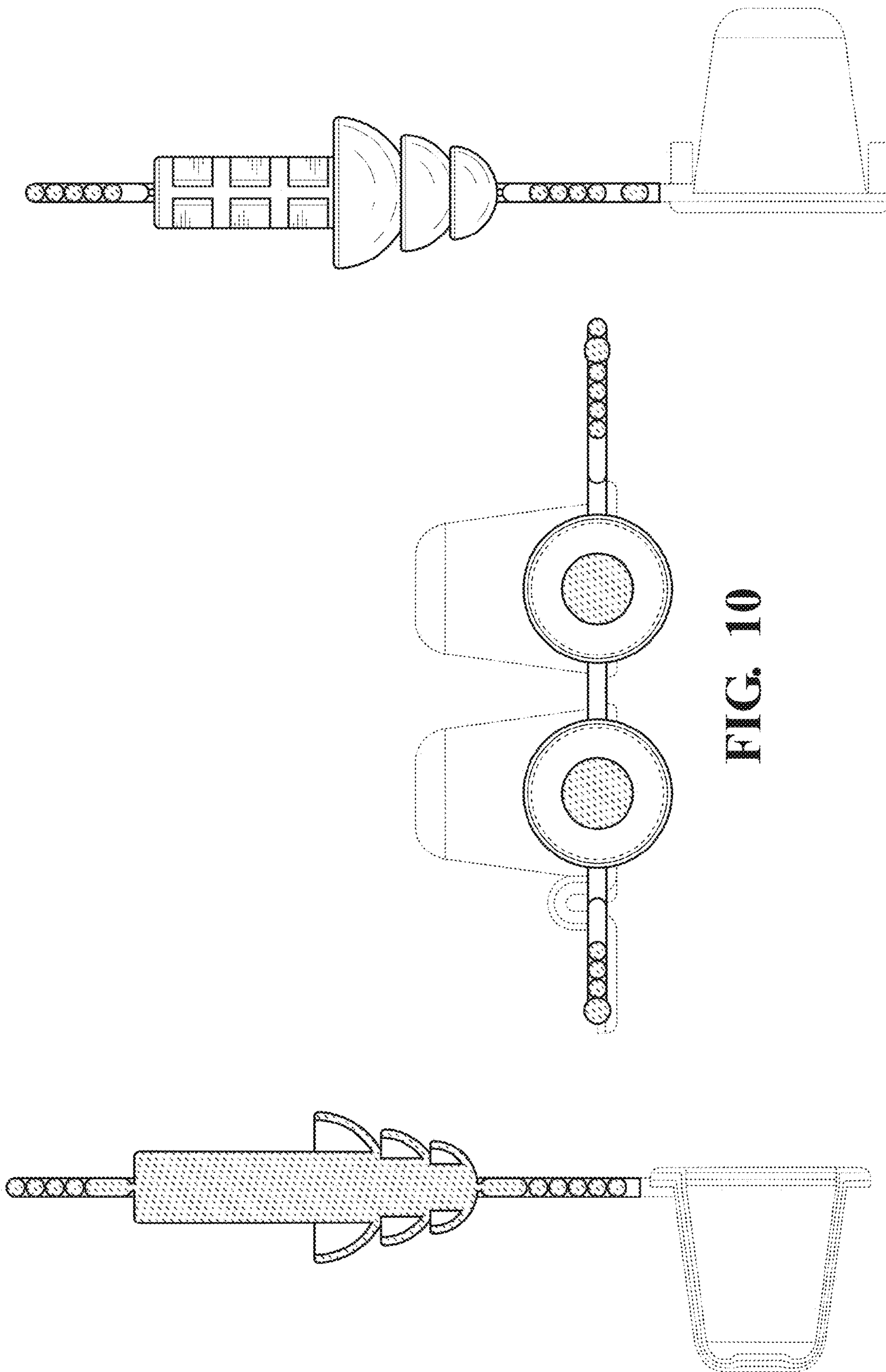


FIG. 9

FIG. 10

FIG. 11