



US00D966493S

(12) **United States Design Patent**  
**Haggar**

(10) **Patent No.:** **US D966,493 S**

(45) **Date of Patent:** **\*\* Oct. 11, 2022**

(54) **CEILING FAN MOTOR HOUSING**

(71) Applicant: **HUNTER FAN COMPANY,**  
Memphis, TN (US)

(72) Inventor: **Alexander Jonathan Haggar,**  
Memphis, TN (US)

(73) Assignee: **Hunter Fan Company,** Memphis, TN  
(US)

(\*\*) Term: **15 Years**

(21) Appl. No.: **29/751,128**

(22) Filed: **Sep. 18, 2020**

**Related U.S. Application Data**

(62) Division of application No. 29/715,734, filed on Dec. 4, 2019, now Pat. No. Des. 899,578, which is a division of application No. 29/624,826, filed on Nov. 3, 2017, now Pat. No. Des. 874,634.

(51) **LOC (13) Cl.** ..... **23-03**

(52) **U.S. Cl.**  
USPC ..... **D23/411**

(58) **Field of Classification Search**  
USPC ..... D23/370, 377, 385, 411-414  
CPC ..... F04D 25/088; F04D 29/38; F04D 29/384;  
F04D 29/386  
See application file for complete search history.

(56) **References Cited**

**U.S. PATENT DOCUMENTS**

D314,618 S	2/1991	Yen	
D328,785 S	8/1992	Markwardt	
D357,978 S	5/1995	Young	
D386,257 S	* 11/1997	Liu	D23/385
D421,113 S	2/2000	Zuege	
D431,307 S	9/2000	Zelina, Jr. et al.	
D443,713 S	6/2001	Benensohn	
D453,216 S	1/2002	Gajewski	

D478,974 S	8/2003	Hidalgo	
D506,565 S	6/2005	Yurich	
D534,273 S	12/2006	Pan	
D549,384 S	8/2007	Grawunder	
D556,938 S	12/2007	Russello et al.	
D561,374 S	2/2008	Hartmann, Jr. et al.	
D571,187 S	6/2008	Garnett	
D575,862 S	8/2008	McCalla et al.	
D609,799 S	2/2010	Lee	
D627,874 S	* 11/2010	Pan	D23/411
D628,688 S	12/2010	Pan	
D631,598 S	1/2011	Kondo	

(Continued)

**OTHER PUBLICATIONS**

<http://www.craftmade.com/montreal-mn44>, Craftmade Montral Ceiling Fan with Blades included, Model No. MN44, accessed Apr. 4, 2017.

(Continued)

*Primary Examiner* — Sharon S Oum  
(74) *Attorney, Agent, or Firm* — McGarry Bair PC

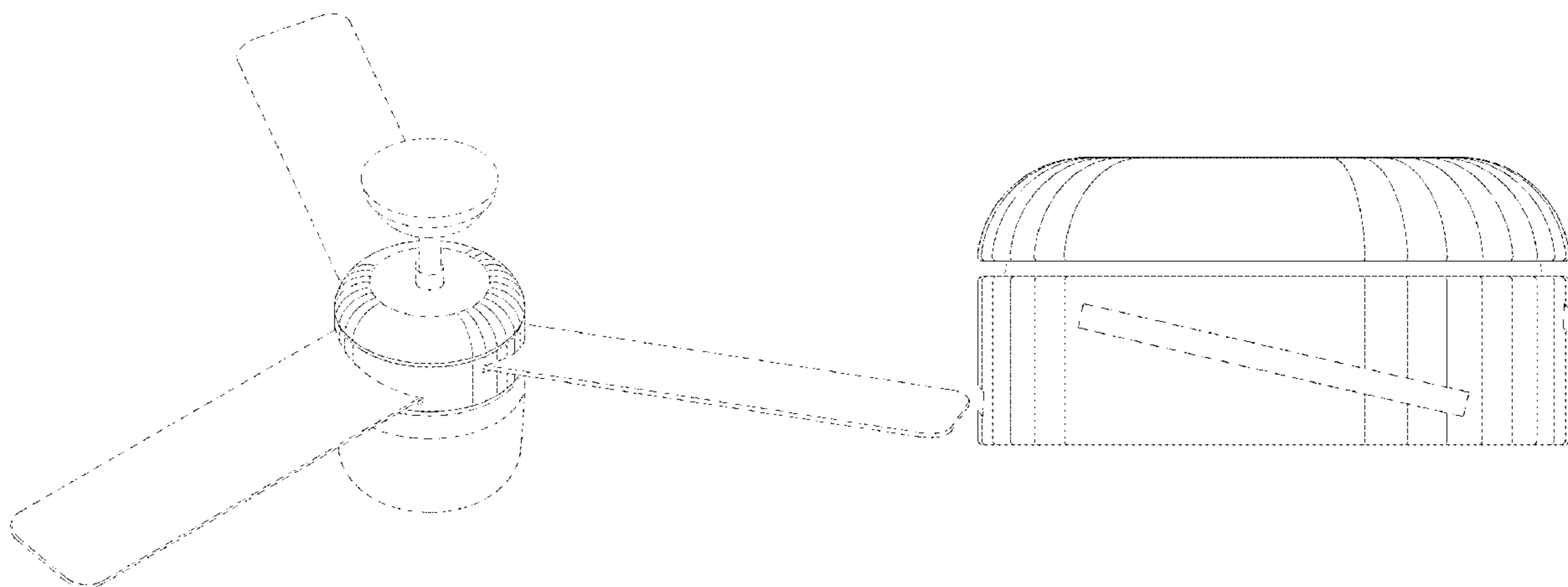
(57) **CLAIM**

The ornamental design for a ceiling fan motor housing, as shown and described.

**DESCRIPTION**

FIG. 1 is a top perspective view of a ceiling fan motor housing in the environment of the ceiling fan, showing my new design;  
FIG. 2 is a bottom perspective view thereof, having the ceiling fan environment removed;  
FIG. 3 is a bottom view thereof;  
FIG. 4 is a top view thereof; and,  
FIG. 5 is a side view thereof.  
The broken lines illustrate portions of the ceiling fan motor housing and ceiling fan environment. None of the broken lines form part of the claimed design.

**1 Claim, 5 Drawing Sheets**



(56)

References Cited

U.S. PATENT DOCUMENTS

D633,231	S	2/2011	Morrison	
D633,644	S	3/2011	Sprengers	
D664,279	S	7/2012	Meise et al.	
D707,336	S	6/2014	Pan	
D708,315	S	7/2014	Wang	
9,022,731	B2	5/2015	Seccareccia	
D739,001	S	9/2015	Crisa'	
D751,187	S	3/2016	Dolan	
D759,799	S	6/2016	Wang	
D771,794	S	11/2016	Wang	
D772,393	S	11/2016	Wang	
D782,644	S	3/2017	Wang	
D788,283	S	* 5/2017	Busta	D23/377
D788,286	S	5/2017	Busta	
D795,410	S	8/2017	Holmes	
D799,667	S	10/2017	Wang	
D804,639	S	12/2017	Guthrie	
D805,174	S	12/2017	Guthrie	
D805,175	S	12/2017	Haggar	
D805,625	S	12/2017	Haggar	
D808,510	S	* 1/2018	Gajewski	D26/59
D809,644	S	2/2018	Holmes et al.	
D810,917	S	2/2018	Holmes	
D810,920	S	* 2/2018	Haggar	D23/385
9,897,095	B2	2/2018	Botkin	
D818,104	S	* 5/2018	Holmes	D23/385
D822,192	S	* 7/2018	Haggar	D23/411
D826,394	S	8/2018	Biancuzzo	
D830,870	S	10/2018	Shepher	
D834,696	S	11/2018	Schulzman	
D834,734	S	11/2018	Guthrie	
D838,356	S	* 1/2019	Haggar	D23/411
D854,210	S	7/2019	Holmes	
D855,172	S	7/2019	Holmes	
D855,788	S	8/2019	Haggar	
D855,789	S	* 8/2019	Haggar	D23/377
D861,850	S	10/2019	Gajewski	
D862,678	S	* 10/2019	Gajewski	D23/380
D872,251	S	* 1/2020	Haggar	D23/377
D872,252	S	1/2020	McRoberts	
D874,634	S	* 2/2020	Haggar	D23/377
D874,635	S	2/2020	Holmes et al.	
D874,637	S	* 2/2020	Haggar	D23/411
D875,920	S	* 2/2020	Haggar	D23/411
D877,313	S	3/2020	Wang	
D899,578	S	* 10/2020	Haggar	D23/377
D911,509	S	* 2/2021	Haggar	D23/377
D917,688	S	* 4/2021	Guthrie	D23/411
D921,181	S	* 6/2021	Haggar	D23/377
D921,880	S	* 6/2021	Haggar	D23/377
D929,632	S	* 8/2021	Wang	D26/59
D936,202	S	* 11/2021	McRoberts	D23/377
D938,572	S	* 12/2021	Holmes	D23/411
2015/0078906	A1	3/2015	Wang	
2018/0128277	A1	5/2018	Chia	

OTHER PUBLICATIONS

<http://www.montecarlofans.com/53839/60-0wen-Brushed-Steel-30WR60BSD.html>, Monte Carlo Owen Collection, 60" Ceiling Fan with Brushed Steel, Product No. 3OWR60BSD, accessed Apr. 4, 2017.

<http://ceilingfans.emerson.com/shoplen/fan/fans-s-emerson-fans/fans-s-contemporary/atomical-fan-p-cf930>, Emerson Atomical Indoor/Outdoor Brush Steel Ceiling Fan with Light, Item No. CF930, accessed Apr. 4, 2017.

<https://www.casablancafanco.com/Ceiling-Fans/Isotope-Small-Room?ModelNumber=59020>, Casablanca Isotope 44" Ceiling Fan in Brushed Cocoa an 5 Espresso Veneer Exclusive Blades, Model No. 59020, accessed Apr. 4, 2017.

<http://www.fanimation.com/products/index.php/fans/level.html>, Fanimation Level Ceiling Fan in category—fans, hugger, indoor, Model No. LP8347, accessed Apr. 4, 2017.

<http://www.craftmade.com/beltre-bel52bnk3crwm>, Craftmade Beltre 52" Ceiling Fan with Blades and Light, Model No. BEL52BNK3CRW, accessed Apr. 4, 2017.

<http://www.fanimation.com/products/index.php/fans/pylon.html>, Fanimation Pylon in category—fans, indoor, Model No. LP8277, accessed Apr. 4, 2017.

<http://www.kichler.com/products/product/52-arkwet-patio-ceiling-fan-mwh-339529mwh.aspx>, Kichler Arkwet Patio Collection, 52" Ceiling Fan, Item No. 339529MWH (Matte White), accessed Apr. 4, 2017.

<https://www.lowes.com/pd/Harbor-Breeze-Riverview-36-in-Bronze-Downrod-or-Close-Mount-Indoor-Ceiling-Fan-with-Light-Kit-4-Blade/1000124909>, Harbor Breeze Riverview 36-in Bronze Downrod or Close Mount Indoor Ceiling Fan with Light Kit, Model No. 40662, accessed Apr. 4, 2017.

<http://www.fanimation.com/products/index.php/fans/hugh-52.html>, Fanimation Hugh 52 Ceiling Fan in categories—fans, hugger and Wet Rated, Model No. FPS8355, accessed Apr. 4, 2017.

<http://www.homedepot.com/p/Hampton-Bay-Moresco-32-in-Oil-Rubbed-Bronze-Ceiling-Fan-14411/203697106>, Hampton Bay Moresco 32 in. Oil Rubbed Bronze Ceiling Fan, Model No. 14411, accessed Apr. 4, 2017.

<http://www.quoruminternational.com/index.cfm/app/productDetail?product=65524-95>, Quorum International, Davenport Old World Ceiling Fan, Item No. 65524-95, accessed Apr. 4, 2017.

<http://www.homedepot.com/p/Hampton-Bay-Roanoke-48-in-Indoor-Outdoor-Iron-Ceiling-Fan-YG216-N1/100666130>, Hampton Bay Roanoke 48 in. Indoor/Outdoor Iron Ceiling Fan, Model No. YG216-NI, accessed Apr. 4, 2017.

<http://www.homedepot.com/p/Hampton-Bay-Maxwell-52-in-Mediterranean-Bronze-Ceiling-Fan-55370/203788029>, Hampton Bay Maxwell 52 in. Mediterranean Bronze Ceiling Fan, Model No. 55370, accessed Apr. 4, 2017.

\* cited by examiner

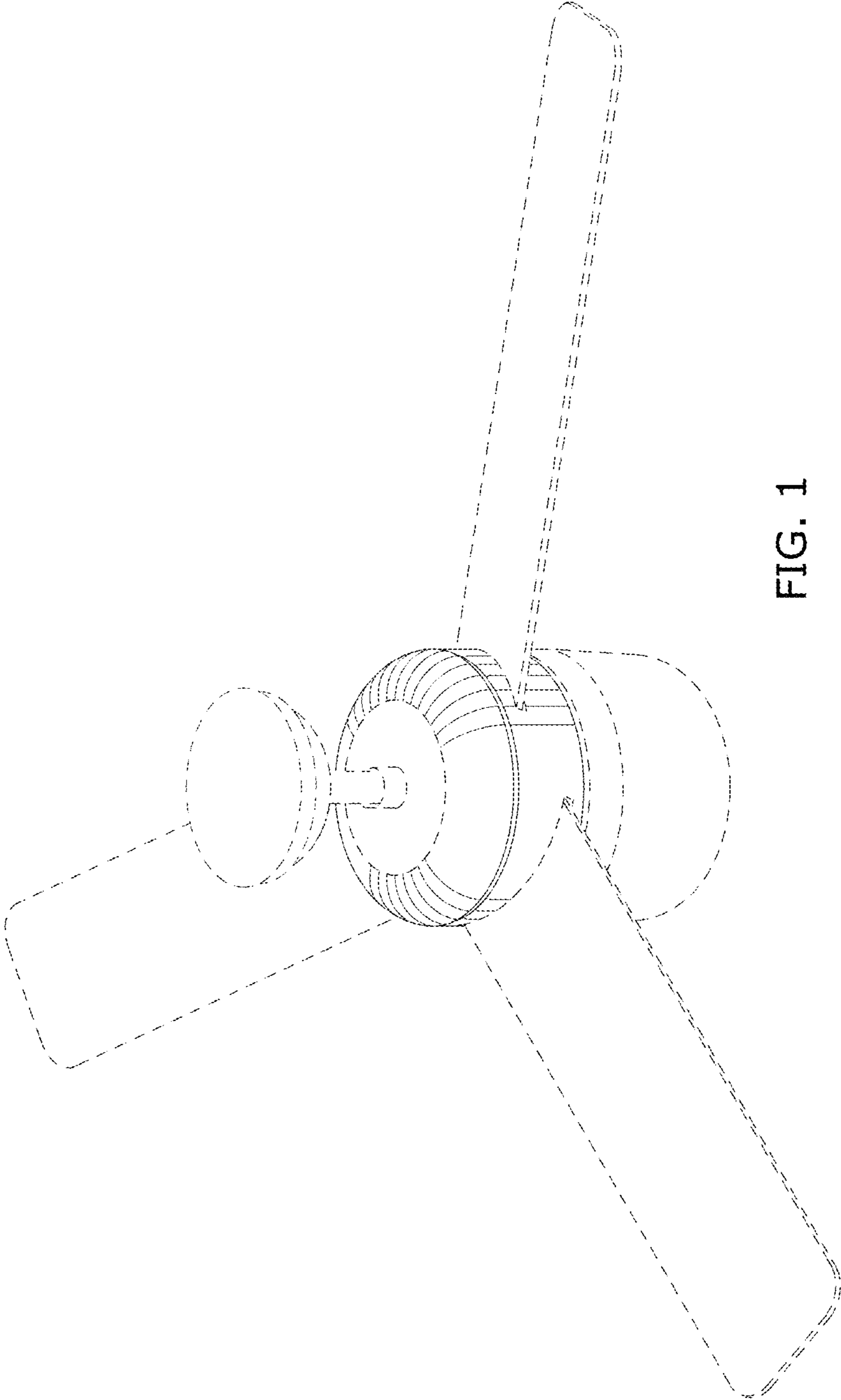


FIG. 1

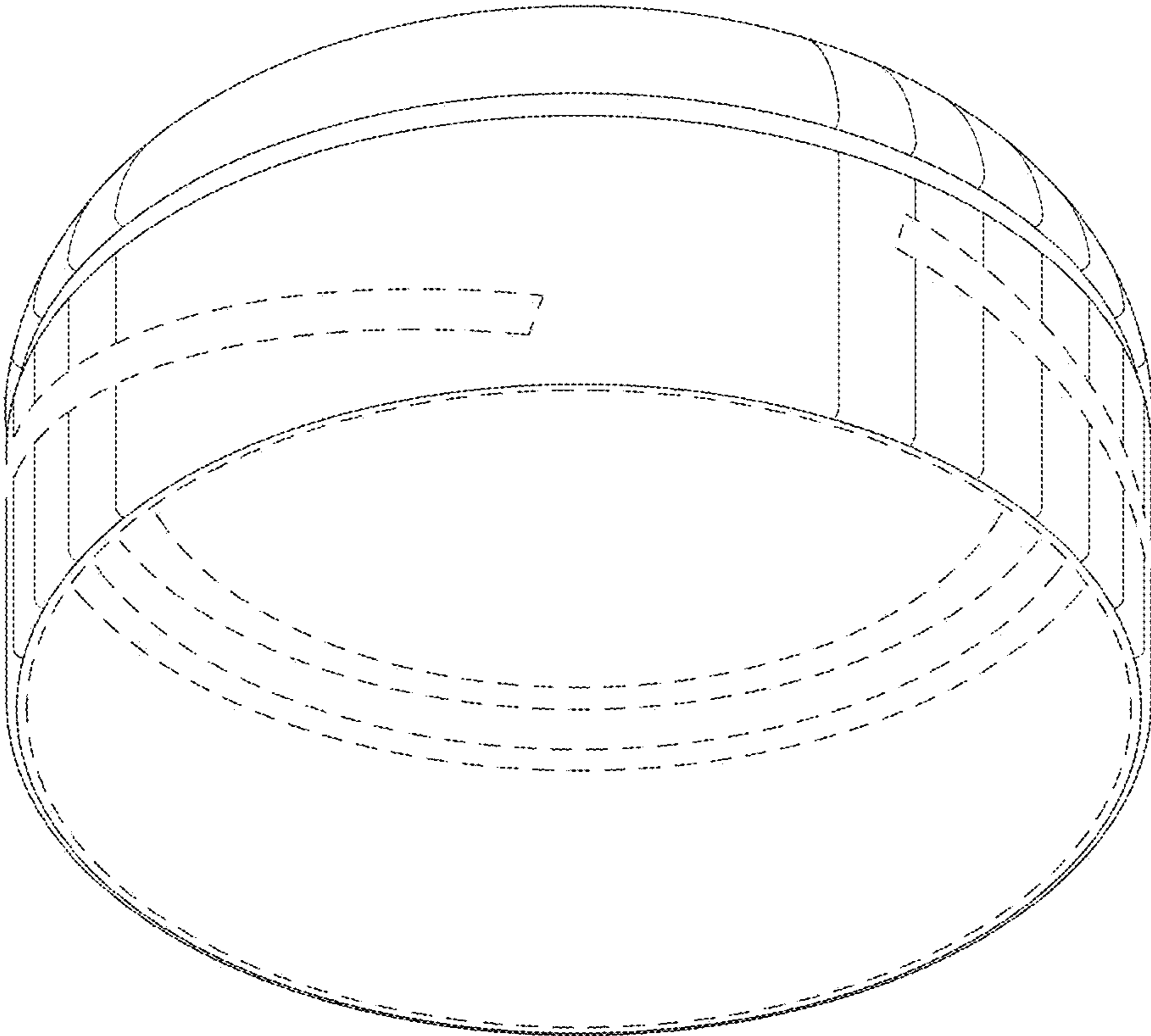


FIG. 2

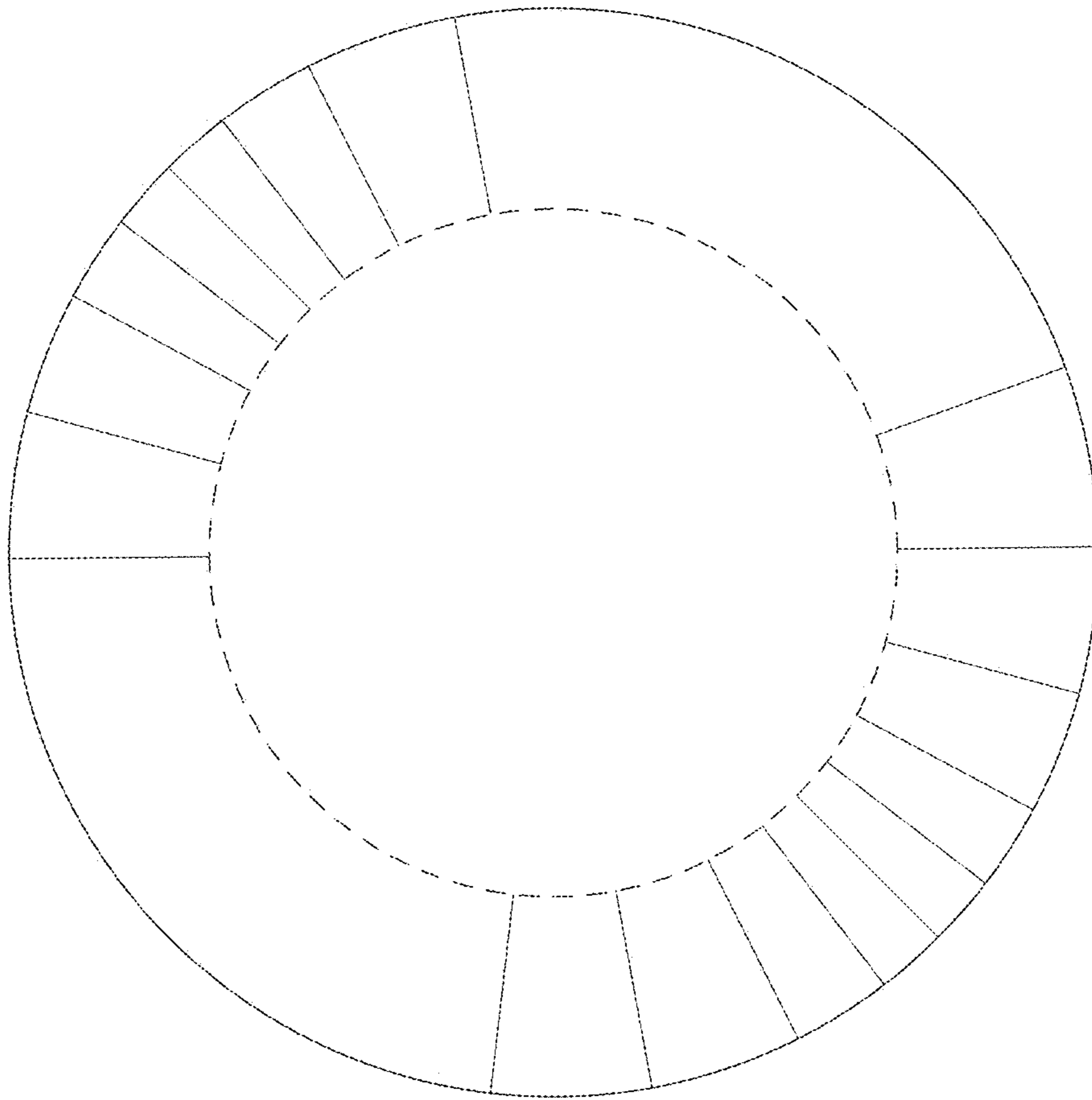


FIG. 3

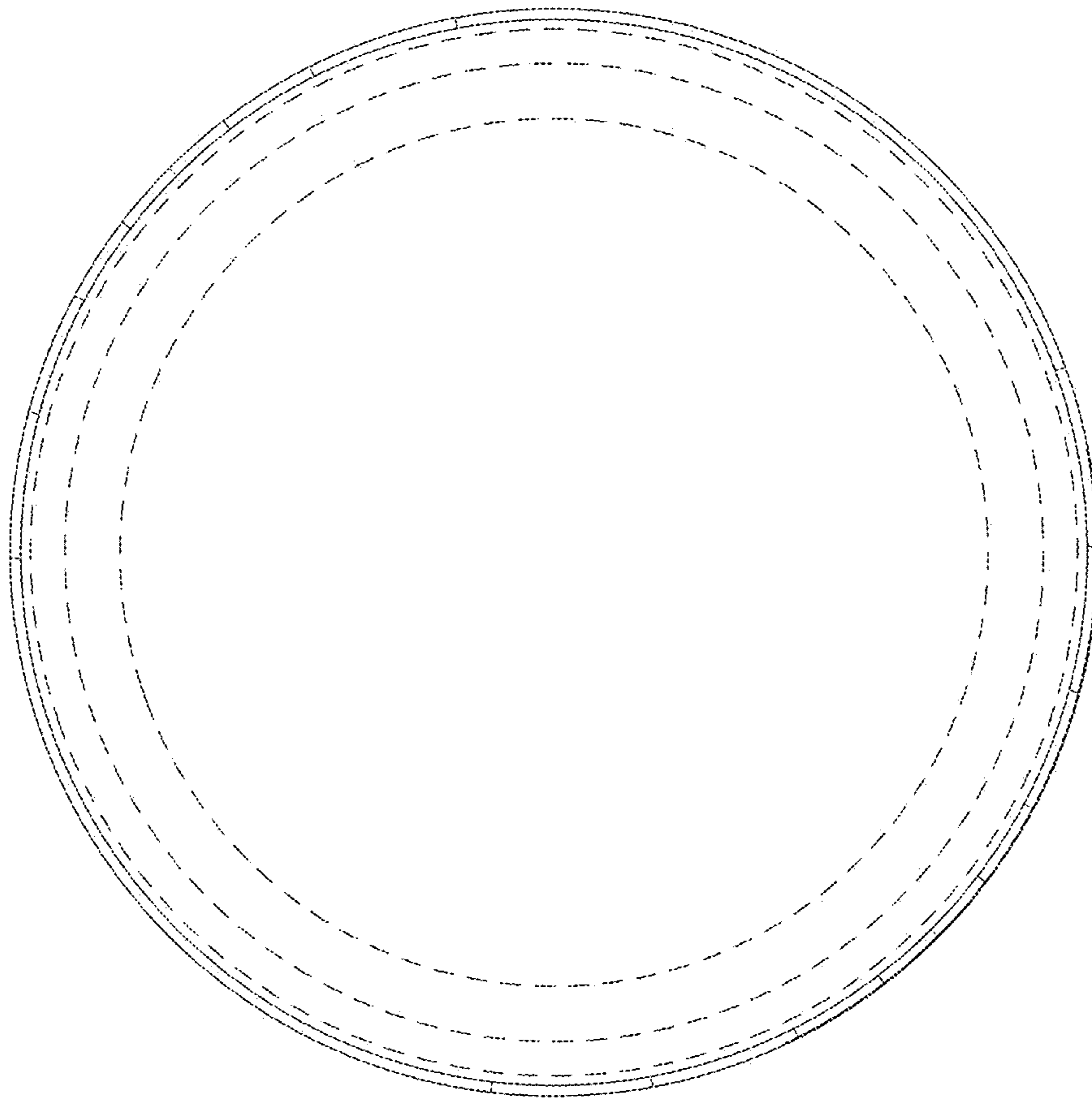


FIG. 4

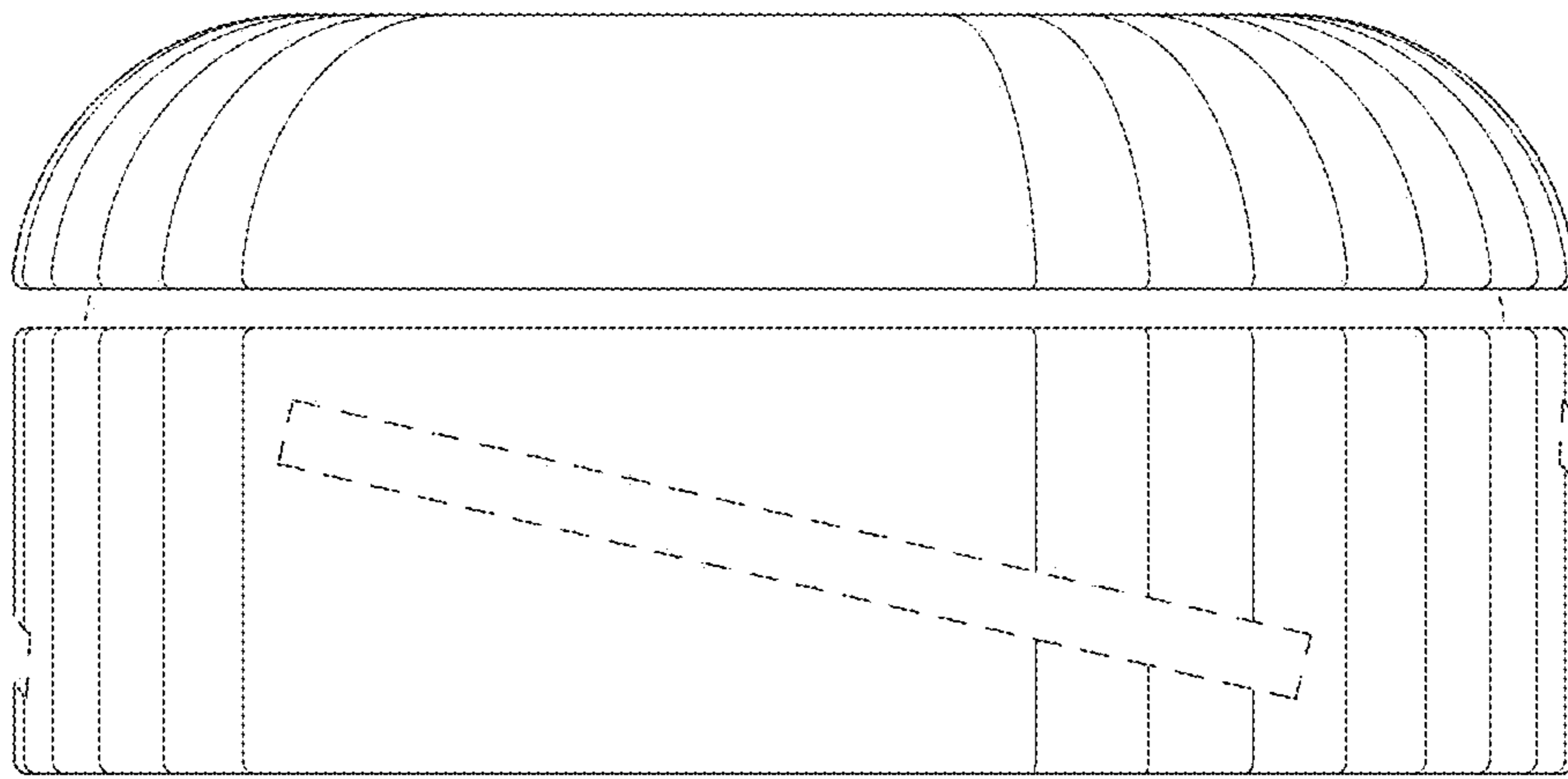


FIG. 5