



US00D966489S

(12) **United States Design Patent** (10) **Patent No.:** **US D966,489 S**
McRoberts (45) **Date of Patent:** **** Oct. 11, 2022**

- (54) **CEILING FAN**
- (71) Applicant: **HUNTER FAN COMPANY**,
Memphis, TN (US)
- (72) Inventor: **Claire Bernice McRoberts**, La Jolla,
CA (US)
- (73) Assignee: **Hunter Fan Company**, Memphis, TN
(US)
- (**) Term: **15 Years**
- (21) Appl. No.: **29/753,927**
- (22) Filed: **Oct. 5, 2020**
- (51) **LOC (13) Cl.** **23-04**
- (52) **U.S. Cl.**
USPC **D23/377**
- (58) **Field of Classification Search**
USPC D23/370, 377, 379, 381–382, 385,
D23/411–414; D26/59
CPC F04D 25/088; F04D 29/38; F04D 29/384;
F04D 29/386; F21V 33/0096
See application file for complete search history.

(56) **References Cited**

U.S. PATENT DOCUMENTS

D535,421 S *	1/2007	Pickett	D26/59
D567,421 S	4/2008	Pan		
D604,305 S	11/2009	Anzures et al.		
D627,048 S	11/2010	Shurtleff		
D804,011 S *	11/2017	Holmes	D26/59
D825,787 S	8/2018	Su		
D827,806 S	9/2018	Biancuzzo		
D872,849 S *	1/2020	Holmes	D23/377
D874,636 S *	2/2020	Holmes Bradley	D23/377
D877,381 S *	3/2020	McRoberts	D26/89
D878,540 S *	3/2020	Holmes	D23/377
D884,145 S *	5/2020	Holmes	D23/377
D894,457 S *	8/2020	McRoberts	D26/59

D902,376 S *	11/2020	Holmes Bradley	D23/411
D903,916 S *	12/2020	McRoberts	D26/59
10,995,769 B2 *	5/2021	Norwood	F04D 25/088
D936,815 S *	11/2021	McRoberts	D23/377
D941,454 S *	1/2022	Eiffert	D23/377
D952,119 S *	5/2022	McRoberts	D23/377
2004/0022636 A1 *	2/2004	Bilskie	F04D 29/601 416/244 R
2020/0224671 A1 *	7/2020	Norwood	F04D 25/088

(Continued)

OTHER PUBLICATIONS

<https://www.hunterfan.com/ceiling-fans/bennett-with-3-lights-52-inch-fan788>, Hunter Fan Bennett 52 inch Ceiling Fan with 3 Lights, Item No. 54190, accessed May 15, 2019.

(Continued)

Primary Examiner — Sharon S Oum

(74) Attorney, Agent, or Firm — McGarry Bair PC

(57) **CLAIM**

The ornamental design for a ceiling fan, as shown and described.

DESCRIPTION

FIG. 1 is a top perspective view of a ceiling fan, showing my new design;

FIG. 2 is a top view thereof;

FIG. 3 is a bottom view thereof;

FIG. 4 is a front side view thereof;

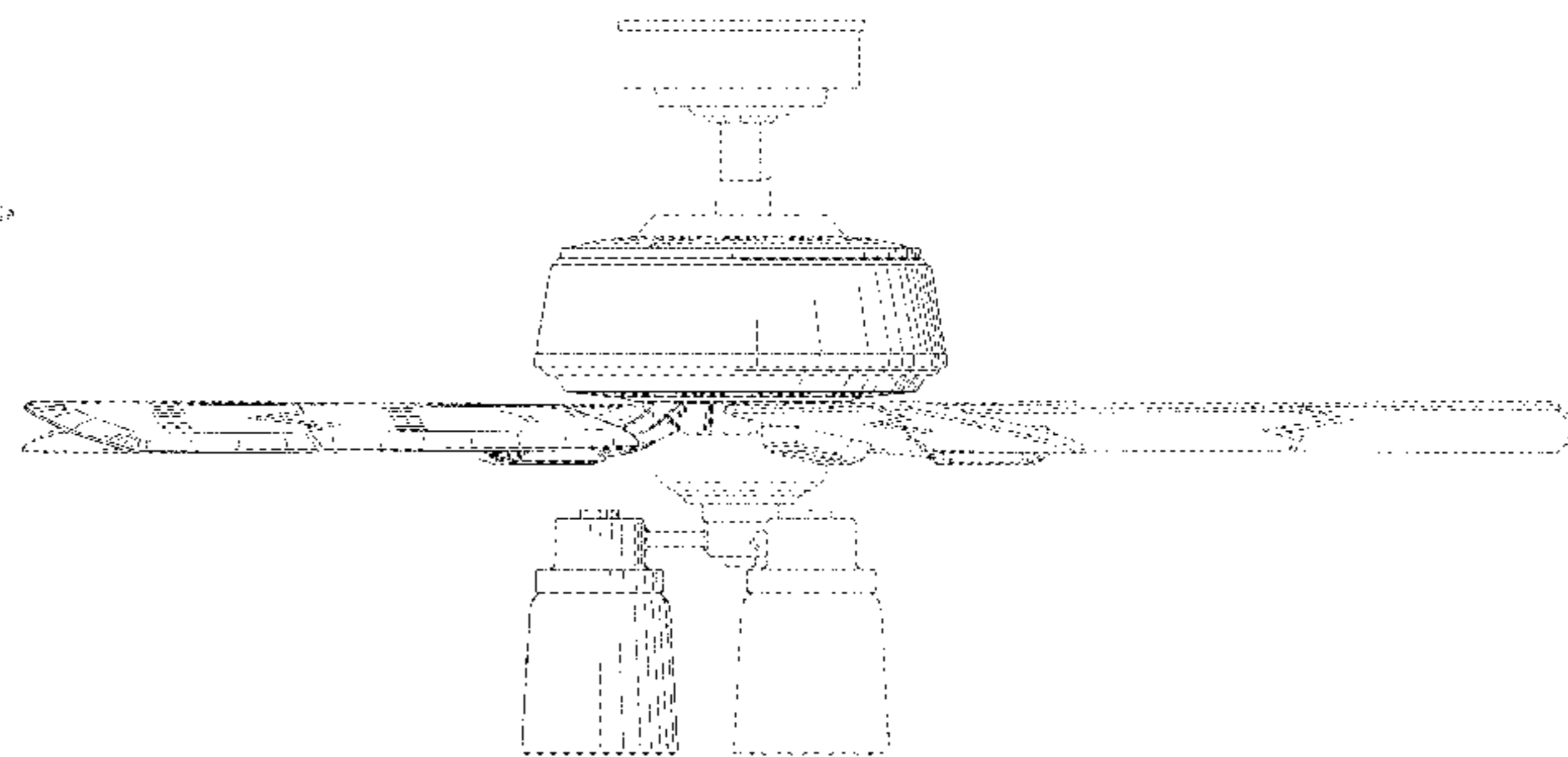
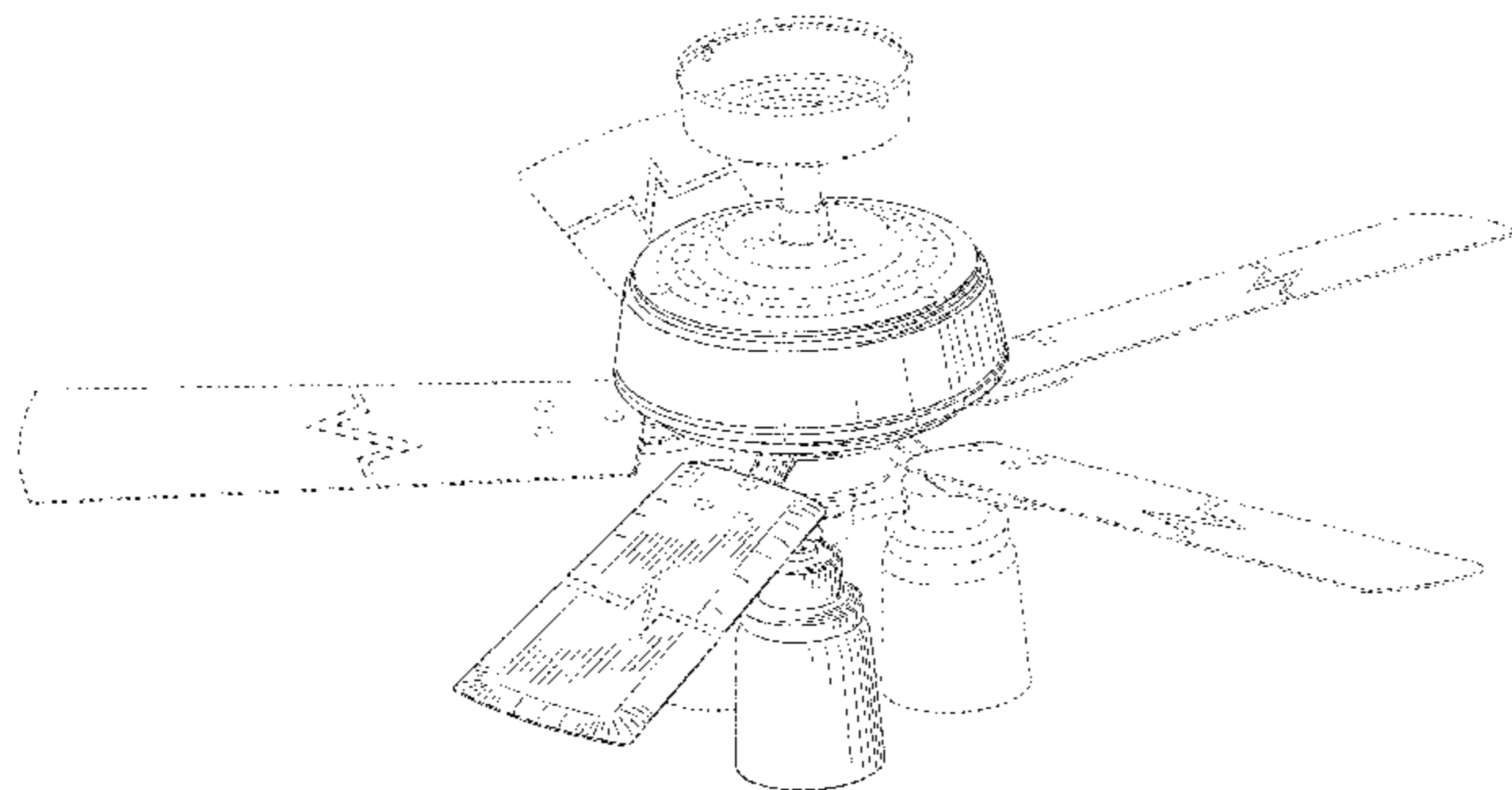
FIG. 5 is a rear view thereof;

FIG. 6 is a right side view thereof; and,

FIG. 7 is a left side view thereof.

Portions of the ceiling fan shown in broken lines form no part of the claimed design. The ceiling fan blades are shown with a symbolic break in their length. The appearance of any portion of the ceiling fan blades between the break lines forms no part of the claimed design.

1 Claim, 7 Drawing Sheets



(56)

References Cited

U.S. PATENT DOCUMENTS

2021/0199131 A1* 7/2021 Botkin F04D 25/088

OTHER PUBLICATIONS

<https://www.hunterfan.com/ceiling-fans/devon-park-with-3-lights-52-inch-fam842>. Hunter Fan Devon Park 52 inch Ceiling Fan with 3 Lights, Item No. 54201, accessed May 15, 2019.
<http://kingoffans.com/#/products/ceilingFans>, King of Fans Windard Ceiling Fan, SKU No. 54402, accessed May 28, 2019.
<http://kingoffans.com/#/products/ceilingFans>, King of Fans Cameron II, SKU No. 845-679, accessed May 28, 2019.
<https://www.menards.com/main/lighting-ceiling-fans/ceiling-fans/indoor-ceiling-fans/lighting-ceiling-fans/ceiling-fans/indoor-ceiling-fans/turn-of-the-century-reg-litchfield-matte-black-vintage-indoor-ceiling-fan/20509/p-1444433460068-c-7488.htm?tid=-4448700797440071686&ipos=32>, Turn of the Century Litchfield 52" Matte Black Vintage Indoor Ceiling Fan, Model No. 20509, accessed May 15, 2019.

<https://www.hunterfan.com/ceiling-fans/crestfield-low-profile-with-3-led-lights-52-inch-fam839>. Hunter Fan Crestfield Lowe Profile 52 inch Ceiling Fan with 3 LED Lights, Item No. 54209, accessed May 15, 2019.

<https://www.homedepot.com/p/Hampton-Bay-Malone-54-in-LED-Brushed-Nickel-Ceiling-Fan-with-Light-Kit-59254/308038108>, Hampton Bay Malone 54 in. LED Brushed Nickel Ceiling Fan with Light Kit, Model No. 59254, accessed May 15, 2019.

<https://www.lowes.com/pd/Harbor-Breeze-Lansing-42-in-Brushed-Nickel-Indoor-Downrod-Ceiling-Fan-with-Light-Kit-5-blade/4135886>, Harbor Breeze Lansing 42-in Brushed Nickel Indoor Downrod Ceiling Fan with Light Kit, Model No. 40198, accessed May 28, 2019.

<https://www.craftmade.com/antoinette-ant54tq5wcr>, Craftmade Antoinette 54" Ceiling Fan with Blades, Model No. ANT54tq5WCR, accessed May 28, 2019.

<https://www.homedepot.com/p/Home-Decorators-Collection-Windward-44-in-LED-Blue-Ceiling-Fan-with-Light-Kit-54402/301909746>, Home Decorators Collection, Windward 44 in. LED Blue Ceiling Fan with Light Kit, Model No. 54402, accessed May 28, 2019.

* cited by examiner

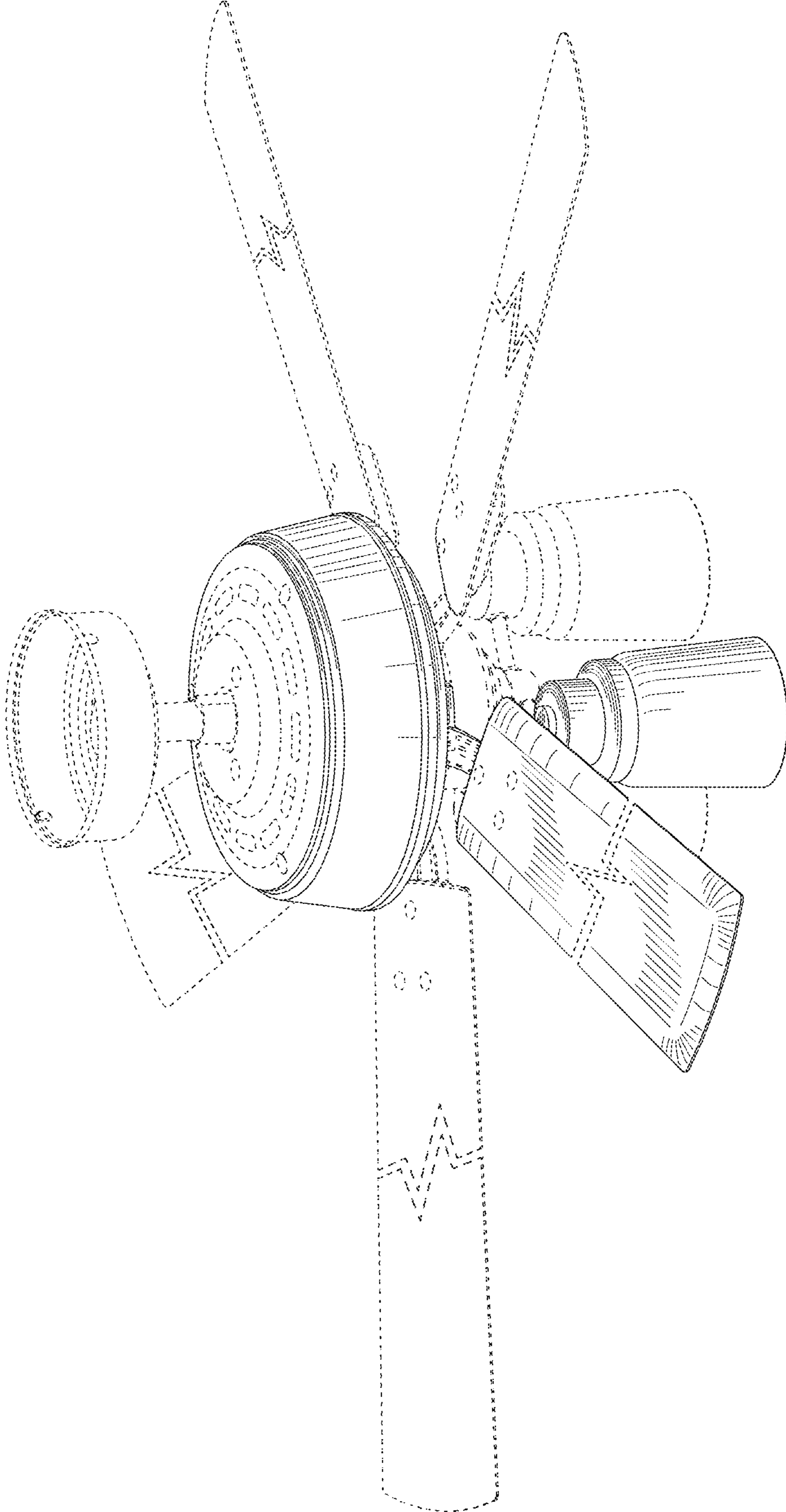


FIG. 1

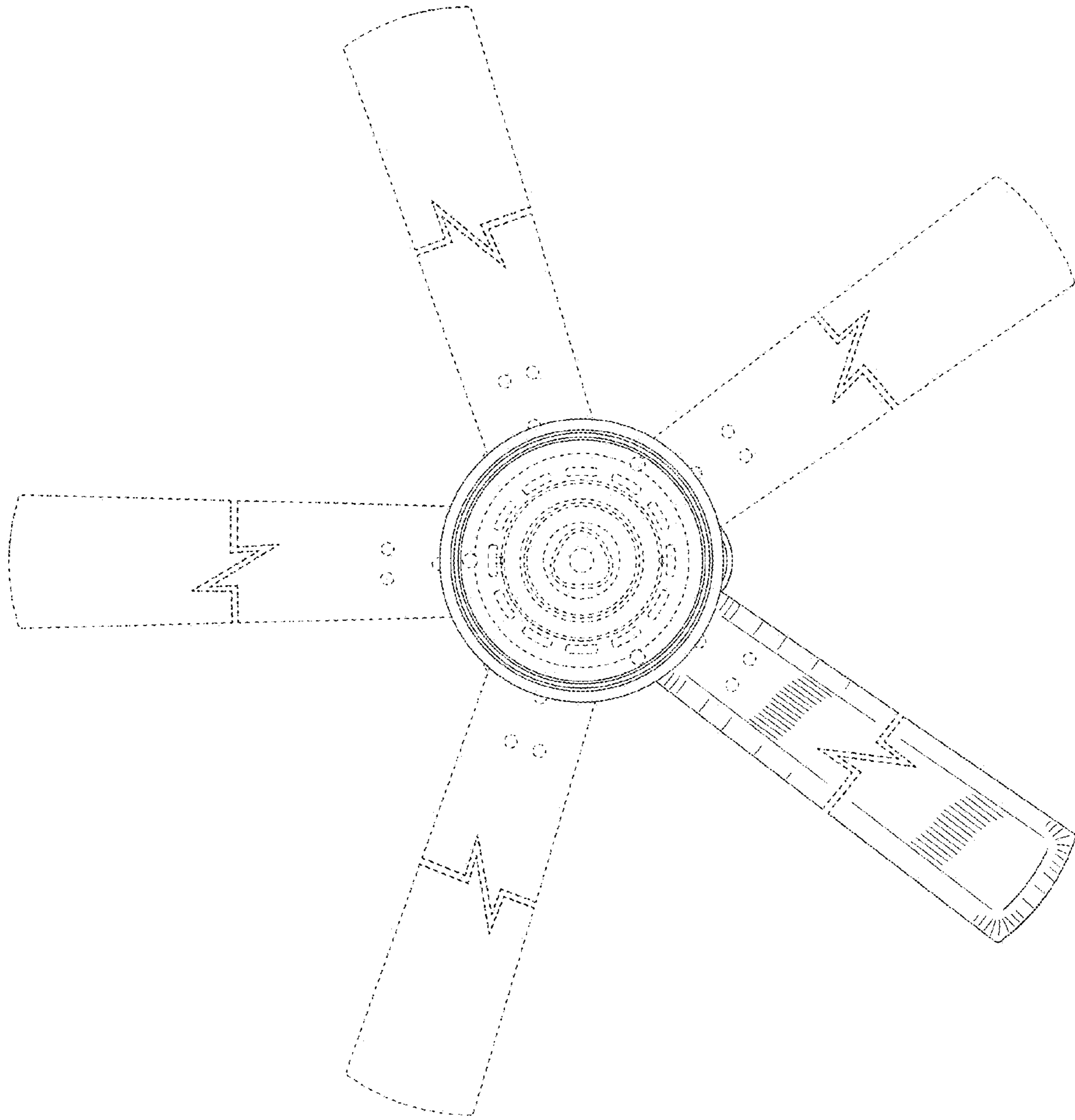


FIG. 2

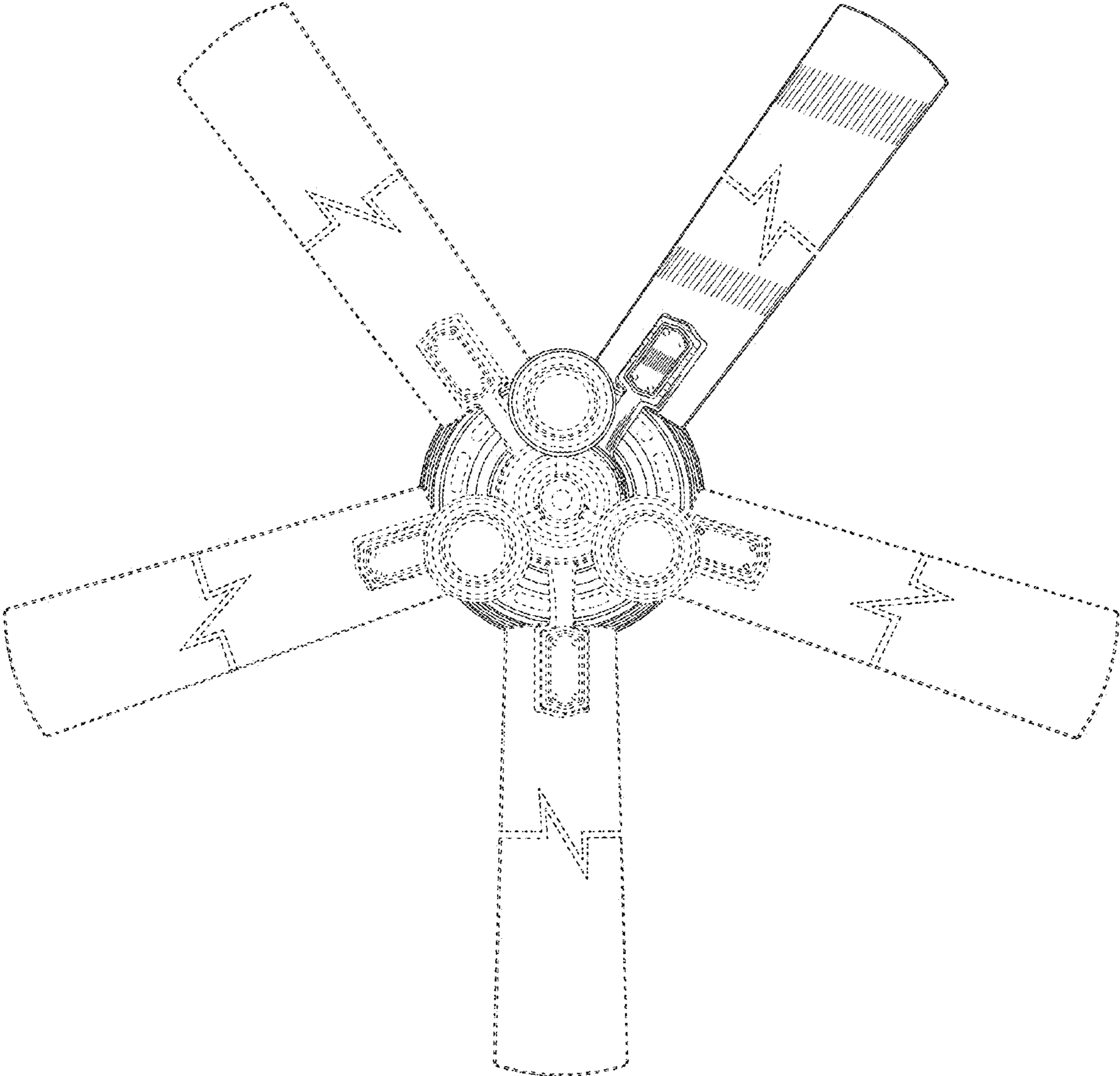


FIG. 3

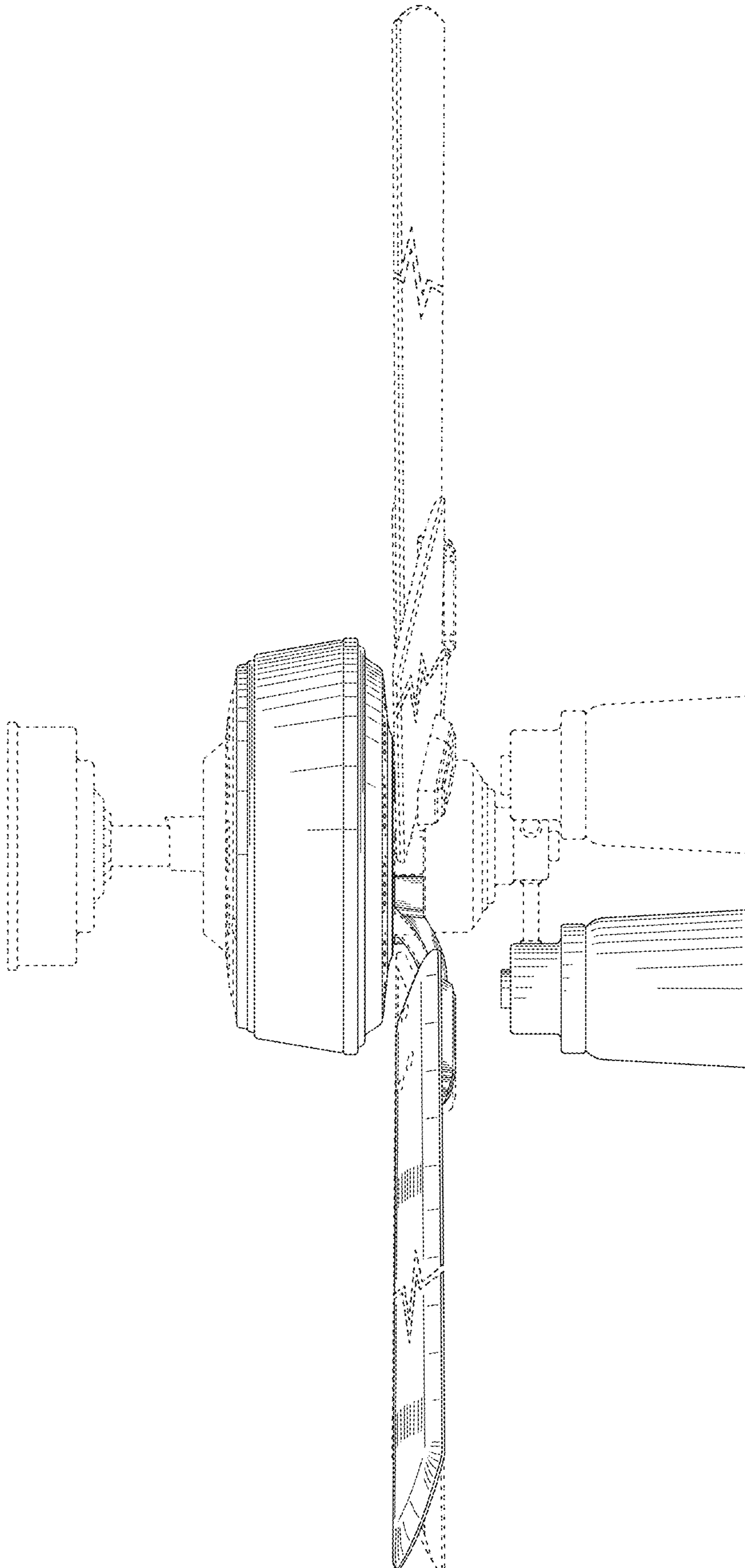


FIG. 4

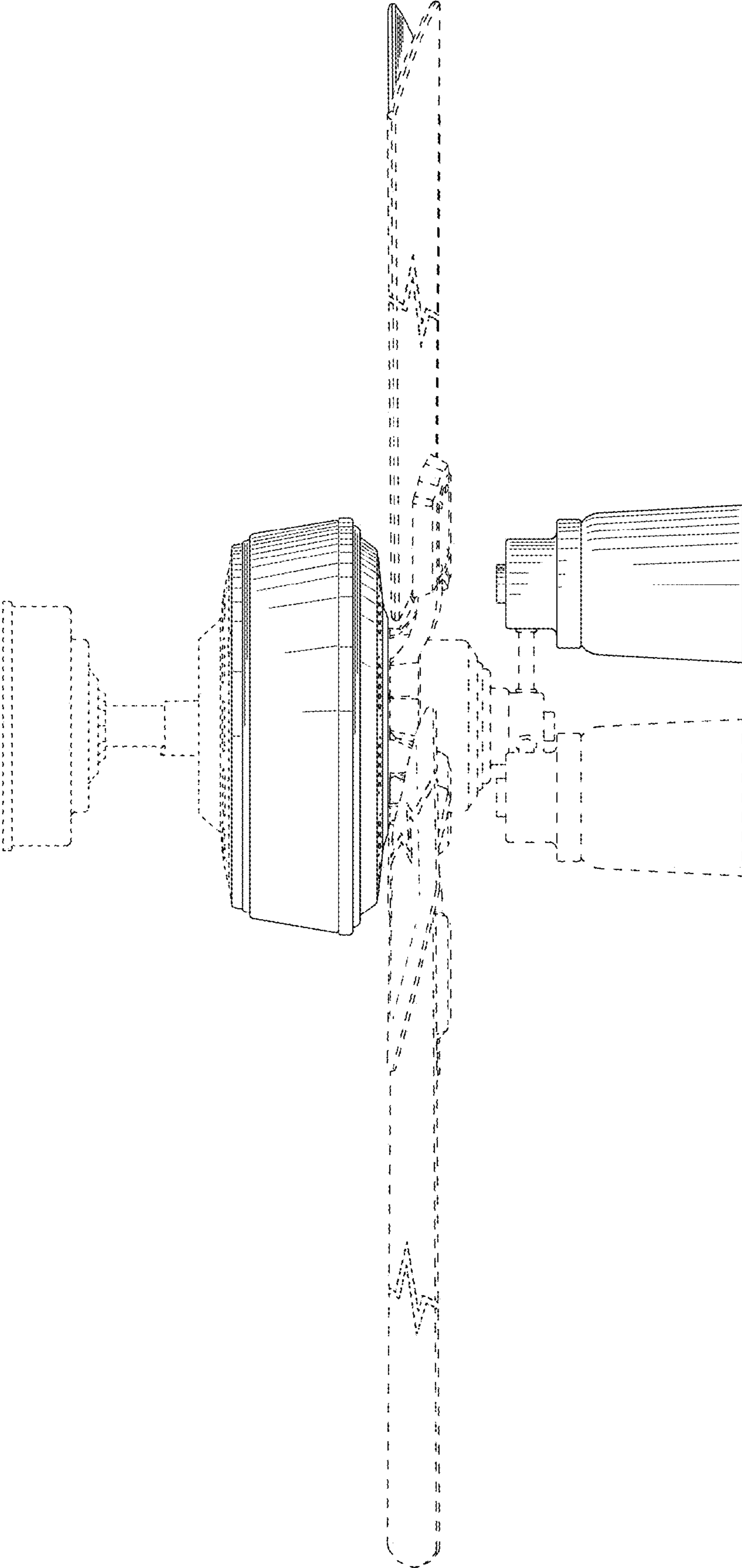


FIG. 5

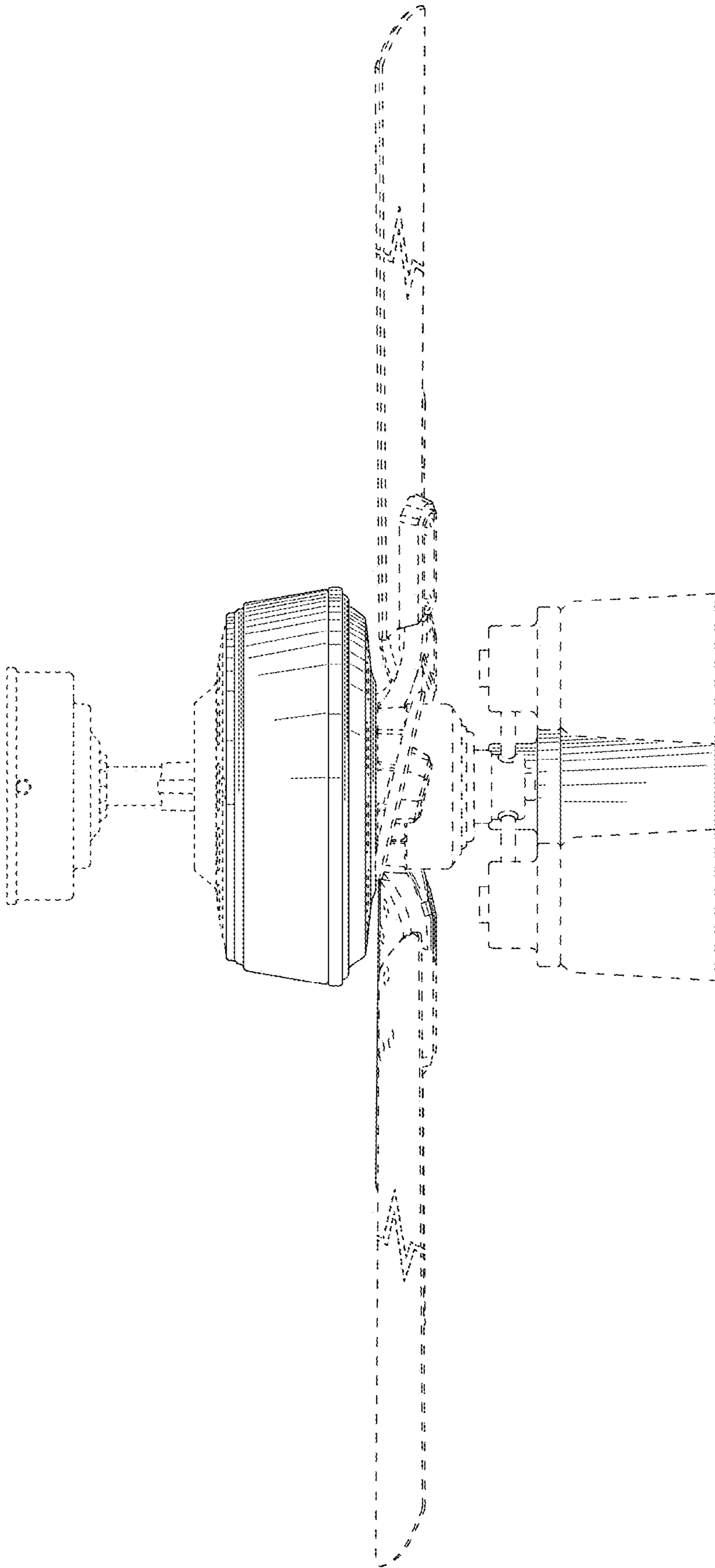


FIG. 6

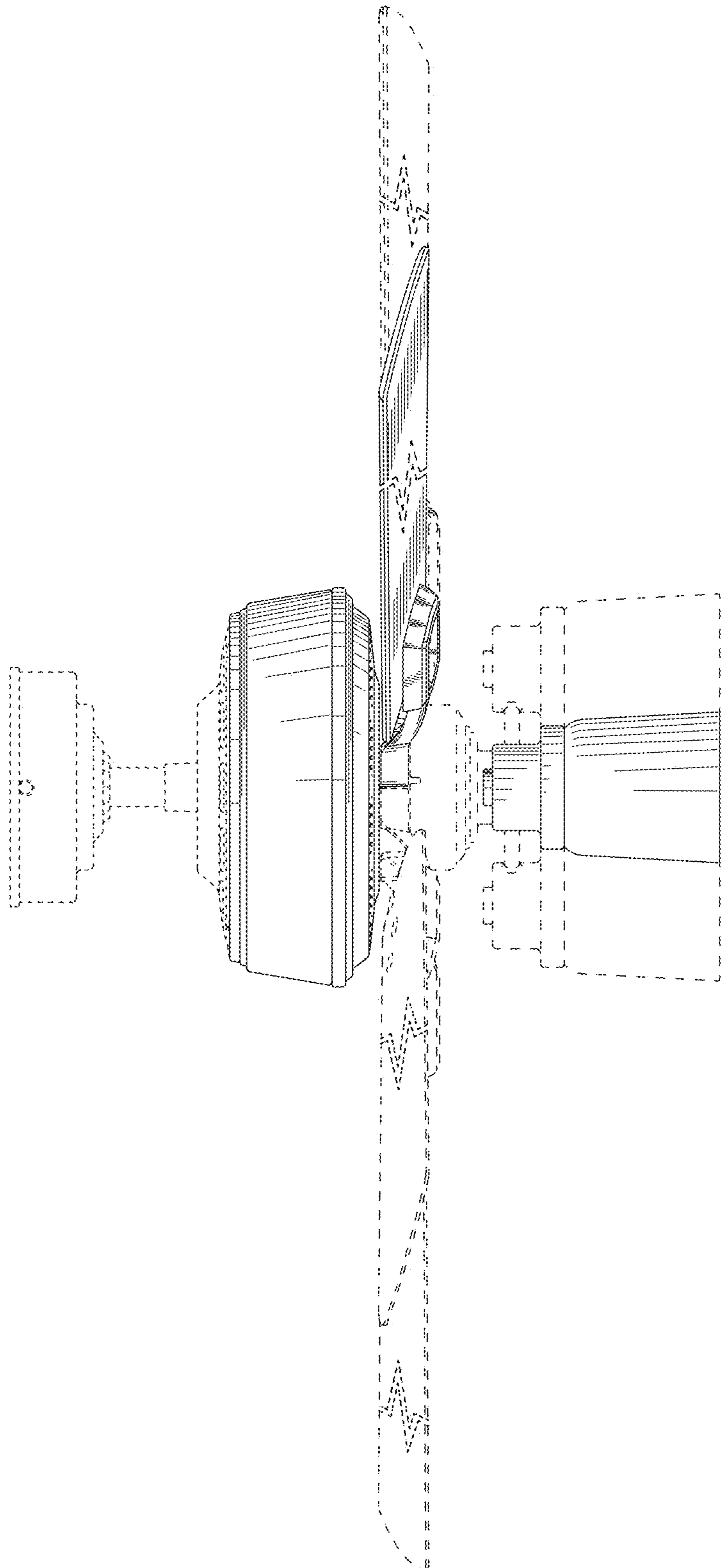


FIG. 7