



US00D966488S

(12) **United States Design Patent** (10) **Patent No.:** **US D966,488 S**
McRoberts (45) **Date of Patent:** **** Oct. 11, 2022**

(54) **CEILING FAN**
(71) Applicant: **HUNTER FAN COMPANY**,
Memphis, TN (US)
(72) Inventor: **Claire Bernice McRoberts**, La Jolla,
CA (US)
(73) Assignee: **Hunter Fan Company**, Memphis, TN
(US)
(**) Term: **15 Years**
(21) Appl. No.: **29/739,891**
(22) Filed: **Jun. 30, 2020**
(51) **LOC (13) Cl.** **23-04**
(52) **U.S. Cl.**
USPC **D23/377**
(58) **Field of Classification Search**
USPC D23/370, 377, 379, 385, 411-414;
D26/59
CPC F04D 25/088; F04D 29/38; F04D 29/384;
F04D 29/386; F21V 33/0096
See application file for complete search history.

(56) **References Cited**
U.S. PATENT DOCUMENTS
D315,404 S * 3/1991 Dufour D23/377
D315,946 S 4/1991 Hollbrook
D328,951 S 8/1992 Scofield et al.
D364,224 S 11/1995 Wang
D424,679 S 5/2000 LaSpina
D483,105 S * 12/2003 Hsieh D23/377
D483,463 S * 12/2003 Tai D23/377
D485,346 S * 1/2004 Bucher D23/377
D485,349 S 1/2004 Burns
D486,215 S * 2/2004 Hsieh D23/377
D489,810 S 5/2004 Burns
D503,819 S * 4/2005 Pickett D26/118
D510,427 S 10/2005 Hidalgo
D526,432 S 8/2006 Guthrie
D530,440 S * 10/2006 Wang D26/59

D533,937 S * 12/2006 Pan D23/411
D533,955 S 12/2006 Pan
D535,014 S * 1/2007 Pickett D23/411
D535,421 S 1/2007 Pickett
D535,739 S 1/2007 Pan
D551,337 S 9/2007 Pickett
D567,421 S 4/2008 Pan
(Continued)

OTHER PUBLICATIONS

<https://www.homedepot.com/p/Hampton-Bay-Rockport-52-in-LED-Matte-Black-Ceiling-Fan-91854/305251765>, Hampton Bay Rockport 52 in. LED Matte Black Ceiling Fan, Model No. 91854, accessed Jan. 23, 2020.

(Continued)

Primary Examiner — Sharon S Oum
(74) *Attorney, Agent, or Firm* — McGarry Bair PC

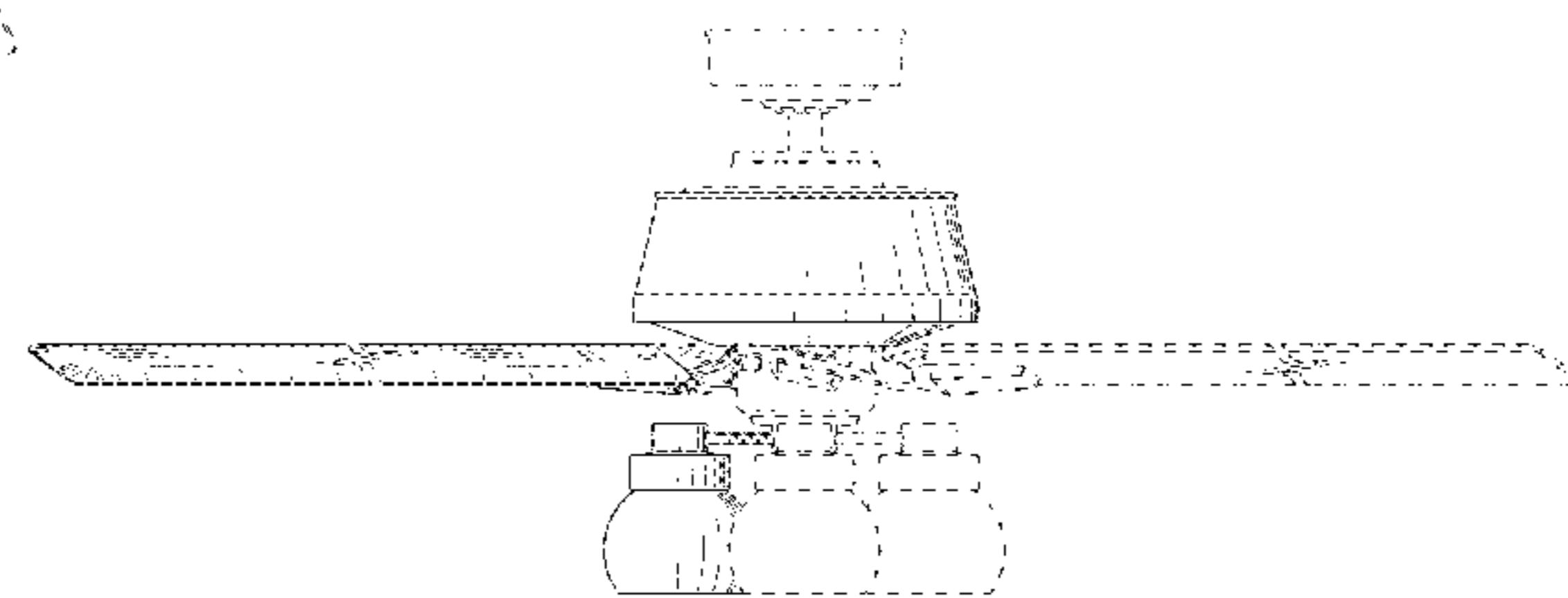
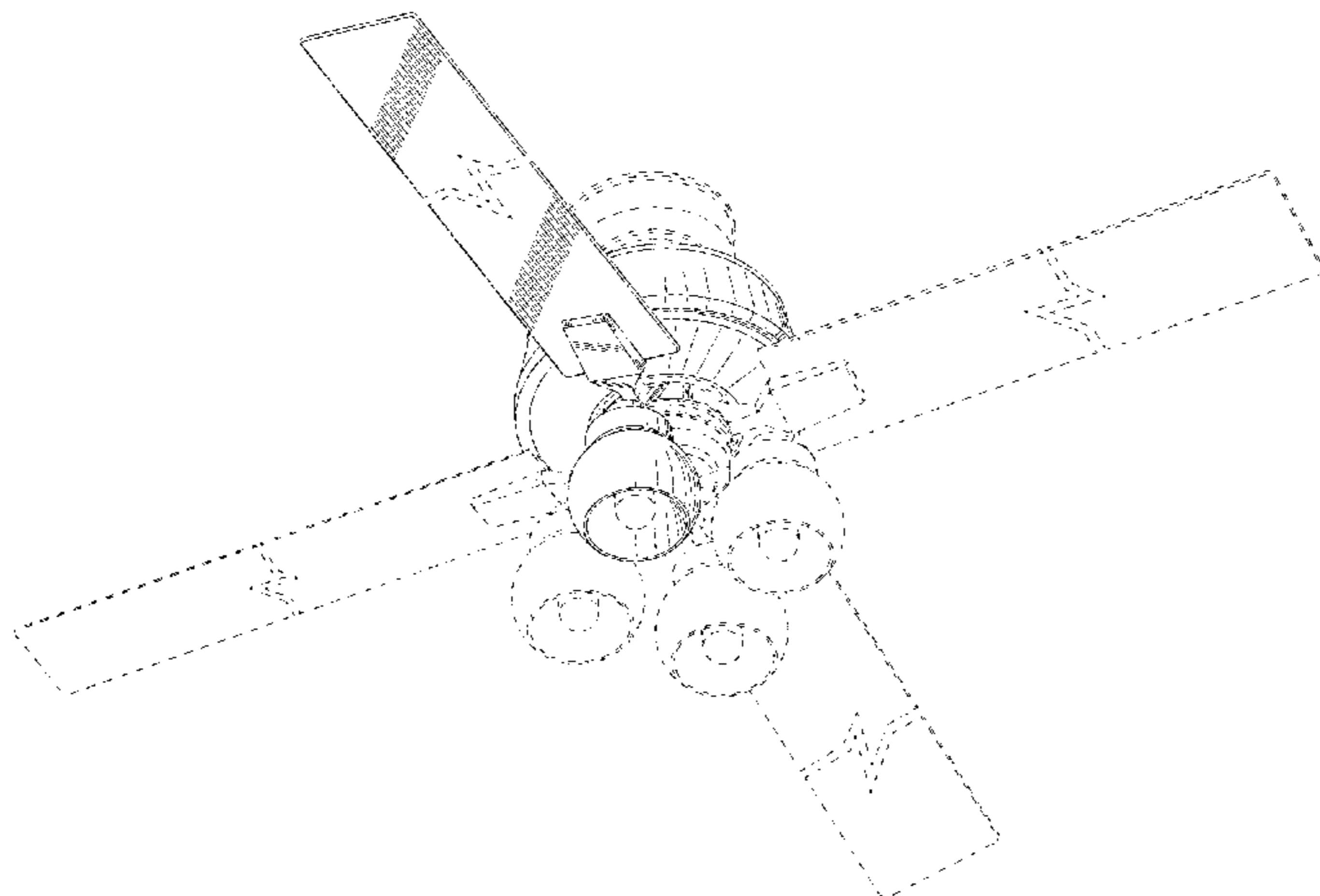
(57) **CLAIM**

The ornamental design for a ceiling fan, as shown and described.

DESCRIPTION

FIG. 1 is a top perspective view of a ceiling fan, showing my new design;
FIG. 2 is a bottom perspective view thereof;
FIG. 3 is a top view thereof;
FIG. 4 is a bottom view thereof;
FIG. 5 is a front view thereof;
FIG. 6 is a left side view thereof;
FIG. 7 is a rear side view thereof; and,
FIG. 8 is a right view thereof.
The broken lines illustrate portions of the ceiling fan that form no part of the claimed design. The ceiling fan blades are shown with a symbolic break in their length. The appearance of any portion of the ceiling fan blades between the break lines forms no part of the claimed design.

1 Claim, 8 Drawing Sheets



(56)

References Cited

U.S. PATENT DOCUMENTS

D602,621	S *	10/2009	Kay	D26/65
D627,046	S *	11/2010	Wang	D23/377
D627,048	S	11/2010	Shurtleff		
D627,054	S	11/2010	Pan		
D671,631	S	11/2012	Searle		
D801,516	S *	10/2017	Wang	D23/413
D804,011	S	11/2017	Holmes et al.		
D804,637	S	12/2017	Holmes		
D810,912	S	2/2018	McRoberts		
D811,574	S	2/2018	McRoberts		
D827,806	S	9/2018	Biancuzzo		
D834,173	S	11/2018	Holmes		
D872,851	S *	1/2020	Holmes	D23/411
D902,376	S *	11/2020	Holmes Bradley	D23/411
D903,916	S *	12/2020	McRoberts	D26/59
10,995,769	B2 *	5/2021	Norwood	F04D 25/088
D941,454	S *	1/2022	Eiffert	D23/377
D952,119	S *	5/2022	McRoberts	D23/377
2004/0022636	A1 *	2/2004	Bilskie	F04D 29/601 416/244 R
2014/0268803	A1 *	9/2014	Keng	F21V 17/164 362/294

OTHER PUBLICATIONS

<https://www.homedepot.com/p/Hampton-Bay-Ellijay-52-in-Indoor-Outdoor-Natural-Iron-Ceiling-Fan-with-Light-Kit-YG205-NI/202549824>, Hampton Bay Ellijay 52-in Indoor Outdoor Natural Iron Ceiling Fan with Light Kit, Model No. YG205-NI, accessed Jan. 23, 2020.

<https://www.luminancebrands.com/fans/cf5300bs.html>, Emerson CF5300BS LED Ceiling Fan in Brushed Steel, accessed Jan. 23, 2020.

<https://www.hunterfan.com/ceiling-fans/casablanca-areto-52-inch-fam423>, Casablanca Areto 52 Inch Ceiling Fan, Item No. 54124, accessed Jan. 23, 2020.

<https://www.fanimation.com/products/index.php/fans/palma.html>, Fanimation Palma 12 inch Matte White with Brushed Nickel Accent with Matte White Blades Ceiling Fan, Model No. FP6258B, accessed Jan. 23, 2020.

<https://www.homedepot.com/p/Hampton-Bay-Stoneridge-52-in-LED-Indoor-Outdoor-Bronze-Hugger-Ceiling-Fan-with-Light-Kit-51974/308693492>, Hampton Bay Stoneridge 52 In. LED Indoor/Outdoor Hugger Ceiling Fan with Light Kit in Bronze, Model No. 51974, accessed Jan. 23, 2020.

<https://www.menards.com/main/lighting-ceiling-fans/ceiling-fans/indoor-ceiling-fans/lighting-ceiling-fans/ceiling-fans/Indoor-ceiling-fans/turn-of-the-century-reg-lichfield-matte-black-vintage-indoor-ceiling-fan/20509/p-1444433460068-c-7488.htm?tid=-4448700797440071686&ipos=32>; Turn of the Century Litchfield 52" Matte Black Vintage Indoor Ceiling Fan, Model No. 20509, accessed Jan. 23, 2020.

<https://www.hunterfan.com/ceiling-fans/devon-park-with-led-light-52-inch-famc45>, Hunter Fan Company Devon Park 52 inch Ceiling Fan with LED Light in Brushed Nickel, Item No. 50604, accessed Jan. 23, 2020.

<https://www.hunterfan.com/ceiling-fans/crestfield-low-profile-with-3-led-lights-52-inch-fam839>, Hunter Fan Company Crestfield Low Profile 52 inch Ceiling Fan with 3 LED Lights, Item No. 54209, accessed Jan. 23, 2020.

<https://www.hunterfan.com/ceiling-fans/bennett-with-3-lights-52-inch-fam788>, Hunter Fan Company Bennett 52 Inch Ceiling Fan with 3 Lights, Item No. 54180, accessed Jan. 23, 2020.

<https://www.hunterfan.com/ceiling-fans/hartland-with-light-44-inch-fam087>, Hunter Fan Company Hartland 44 Inch Ceiling Fan with Light, Item No. 50329, accessed Jan. 23, 2020.

<https://www.homedepot.com/p/Hampton-Bay-Malone-54-in-LED-Brushed-Nickel-Ceiling-Fan-with-Light-Kit-59254/308038108>, Hampton Bay Malone 54 in. Ceiling fan in Brushed Nickel with Light Kit, Model No. 59254, accessed Jan. 23, 2020.

* cited by examiner

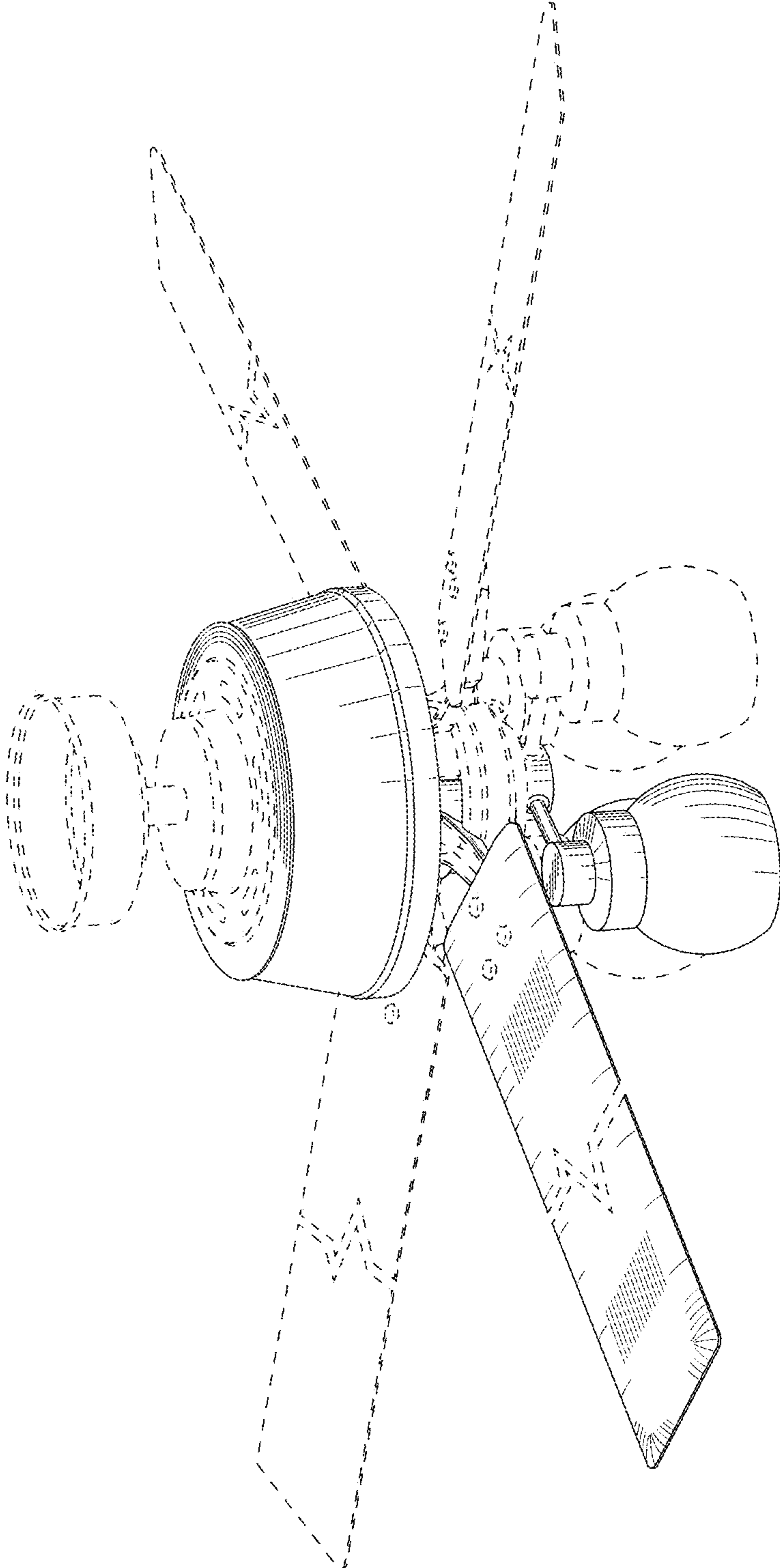


FIG. 1

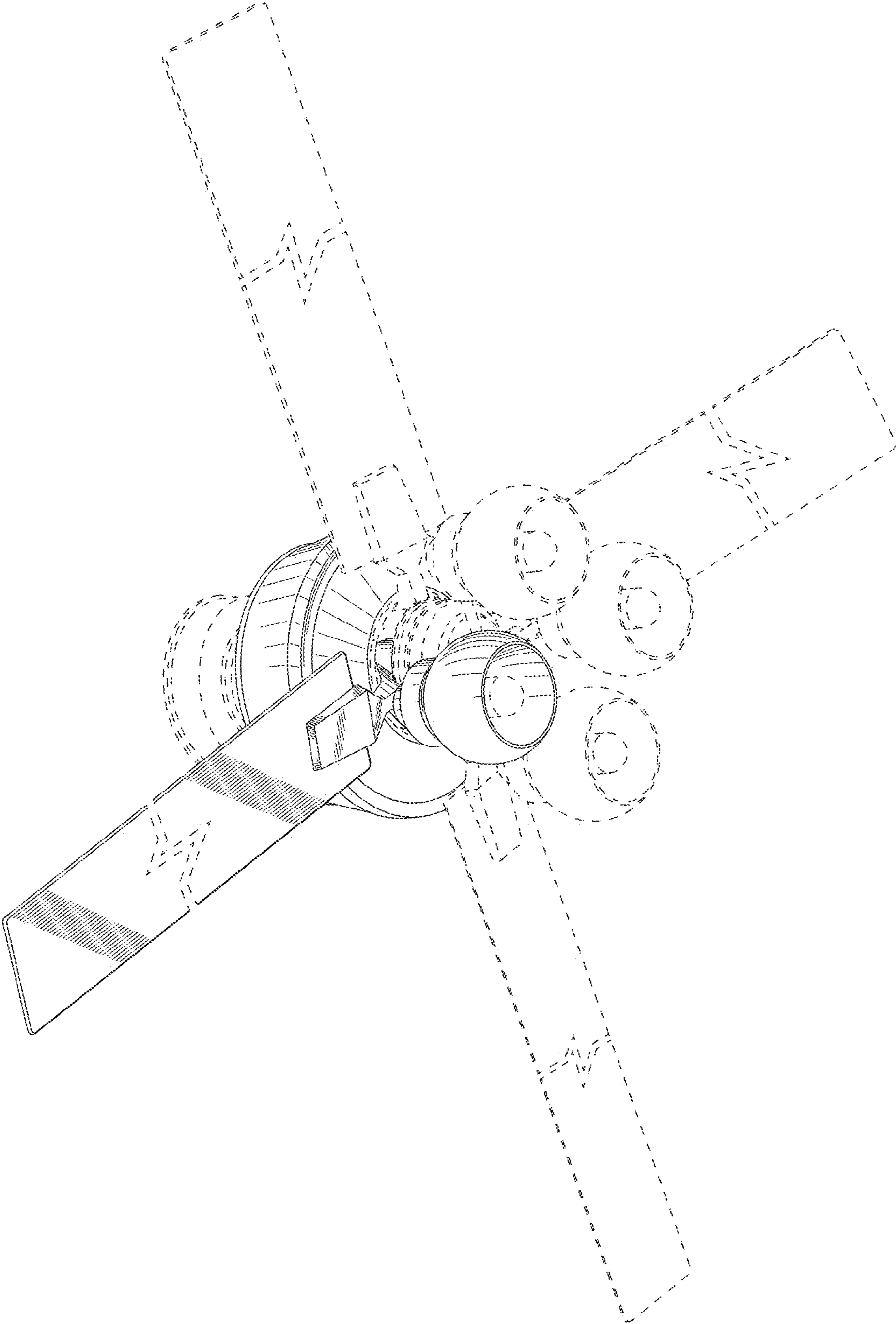


FIG. 2

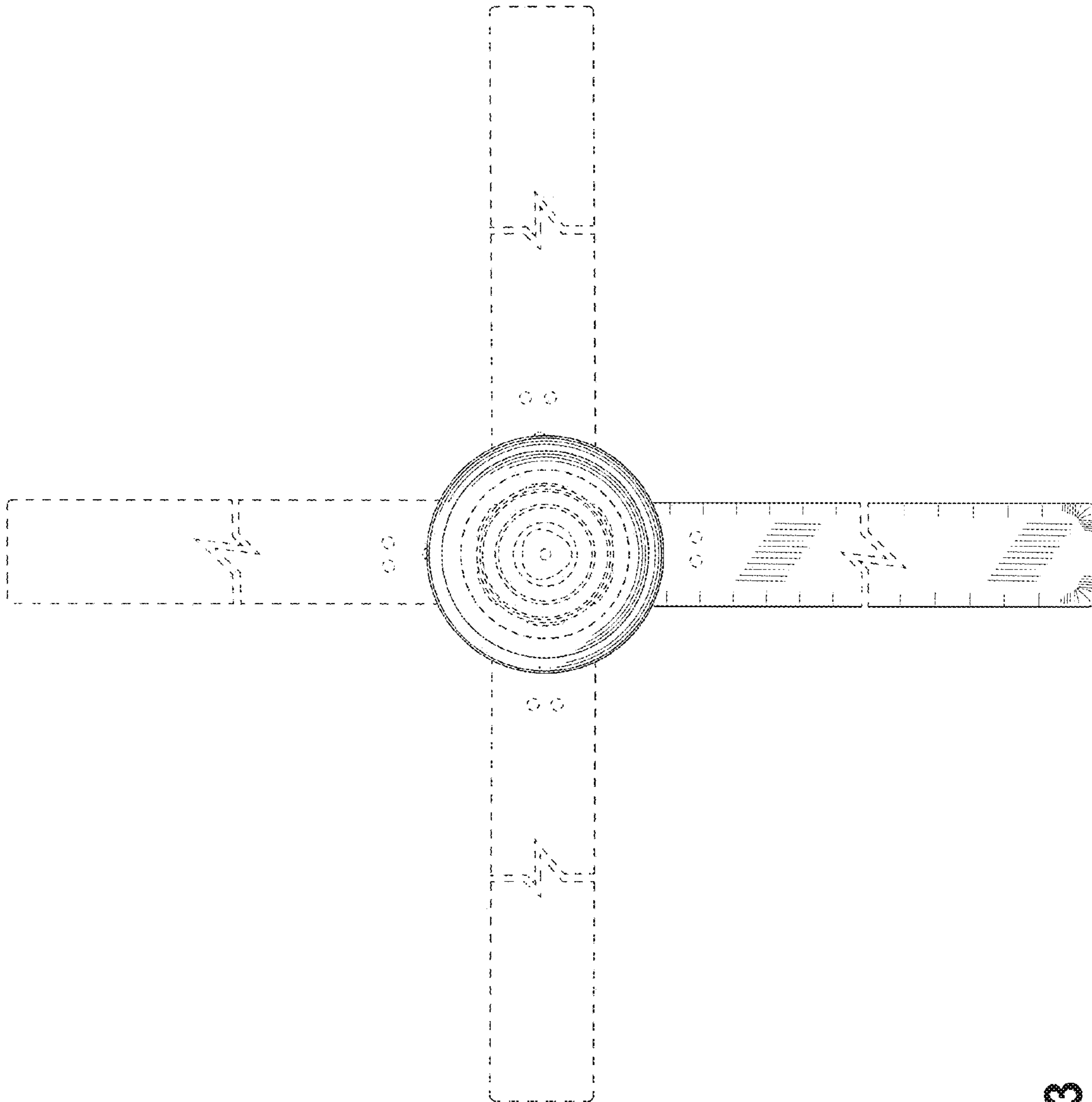


FIG. 3

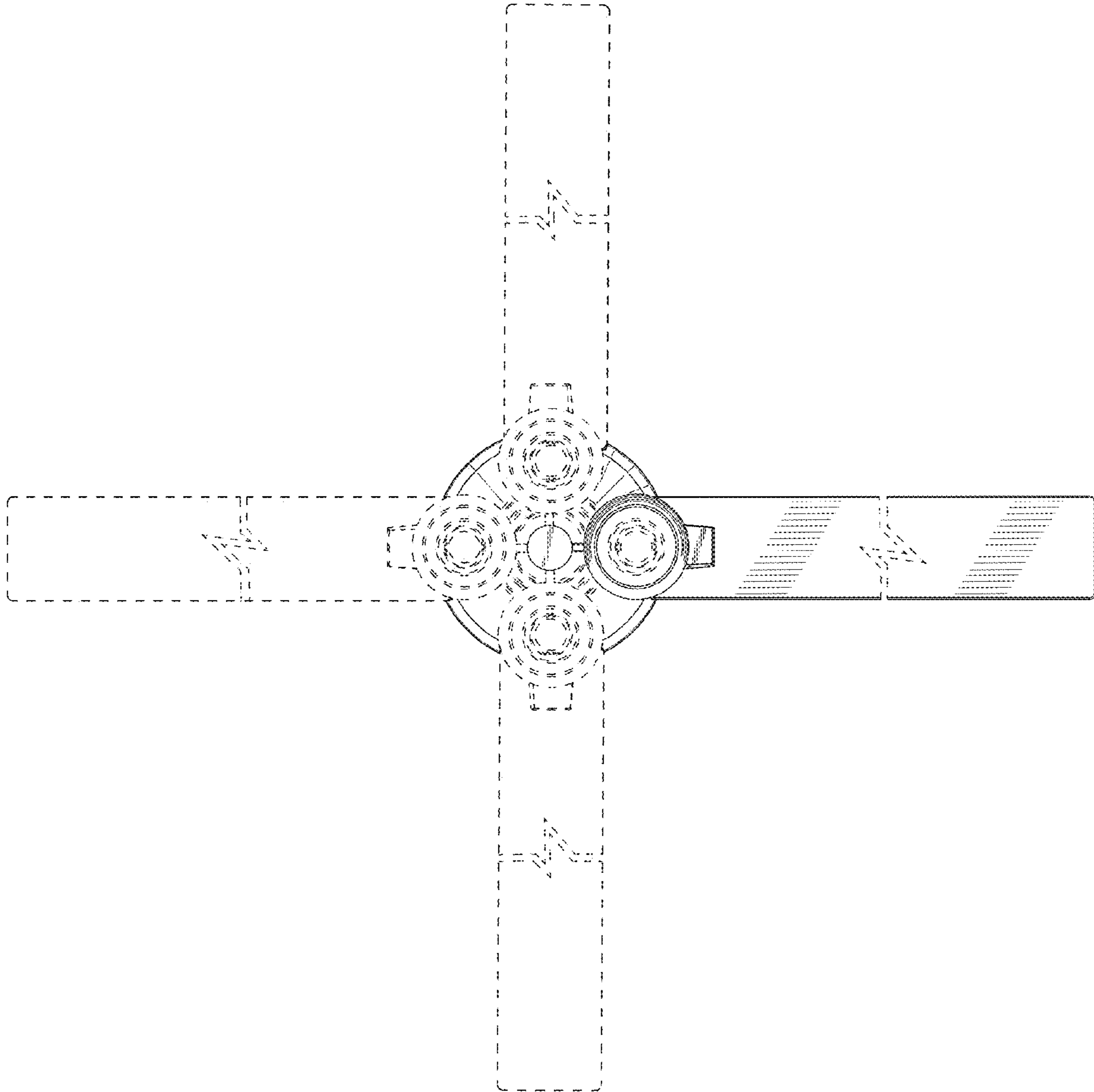


FIG. 4

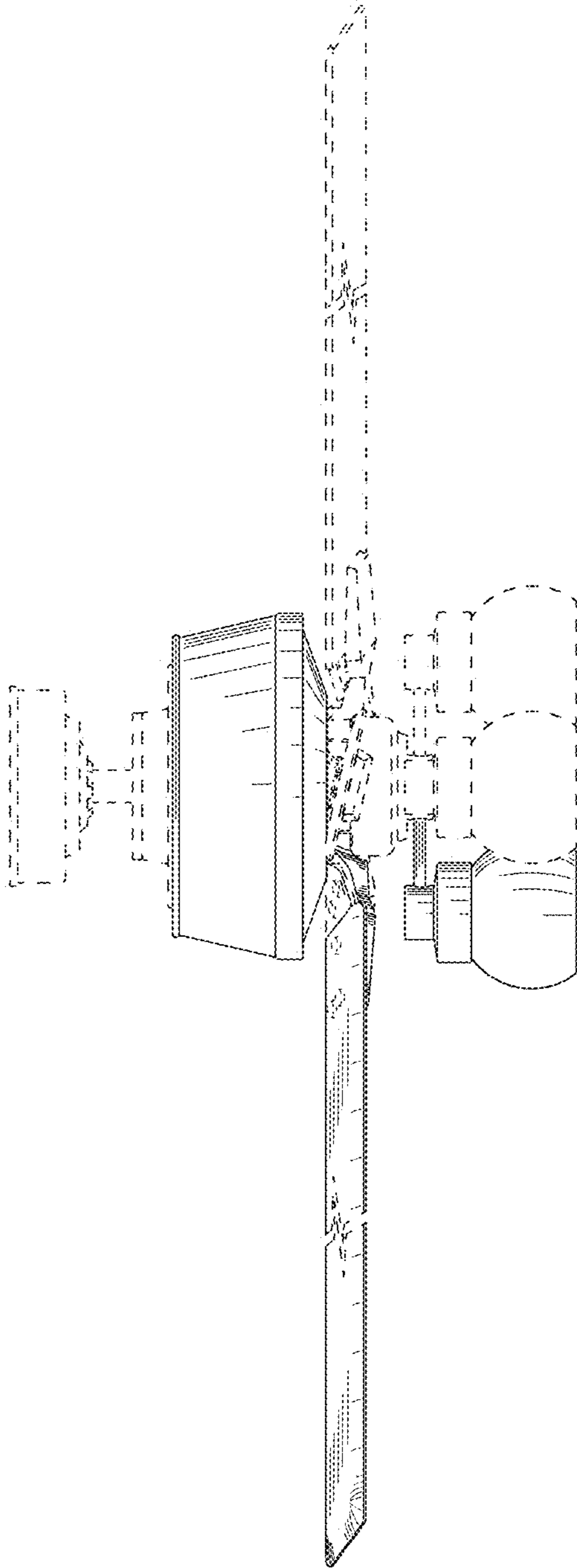


FIG. 5

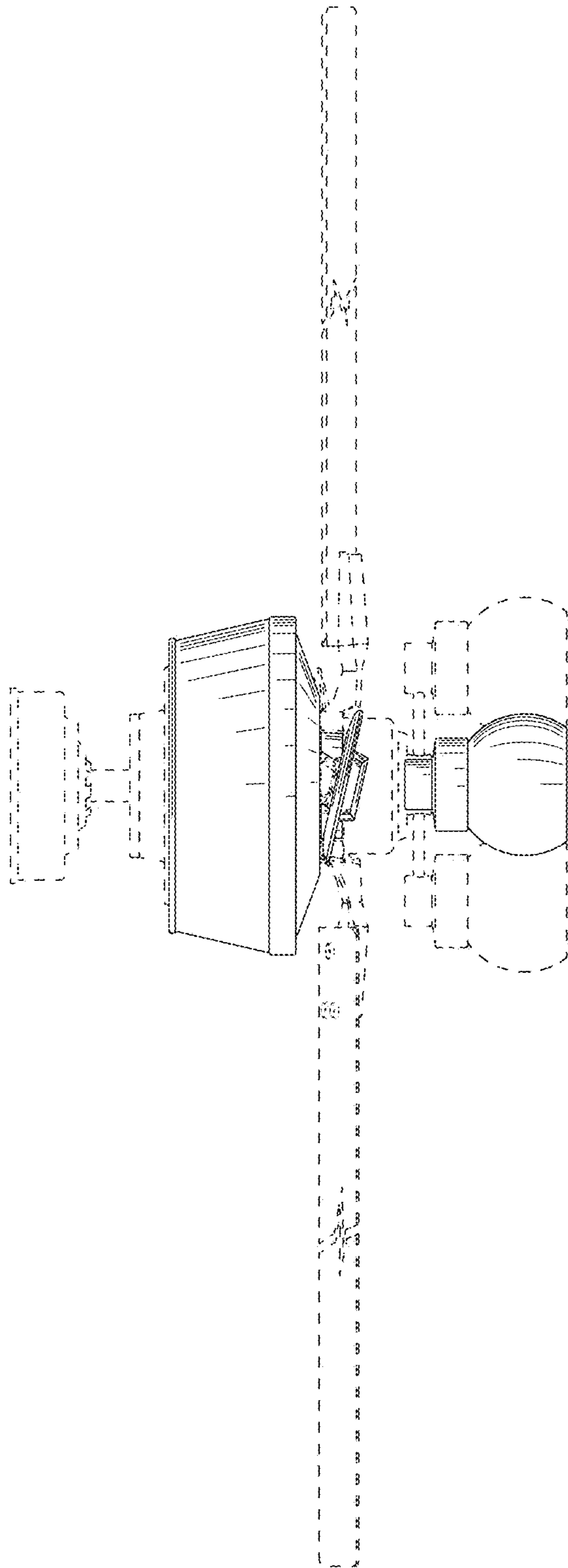


FIG. 6

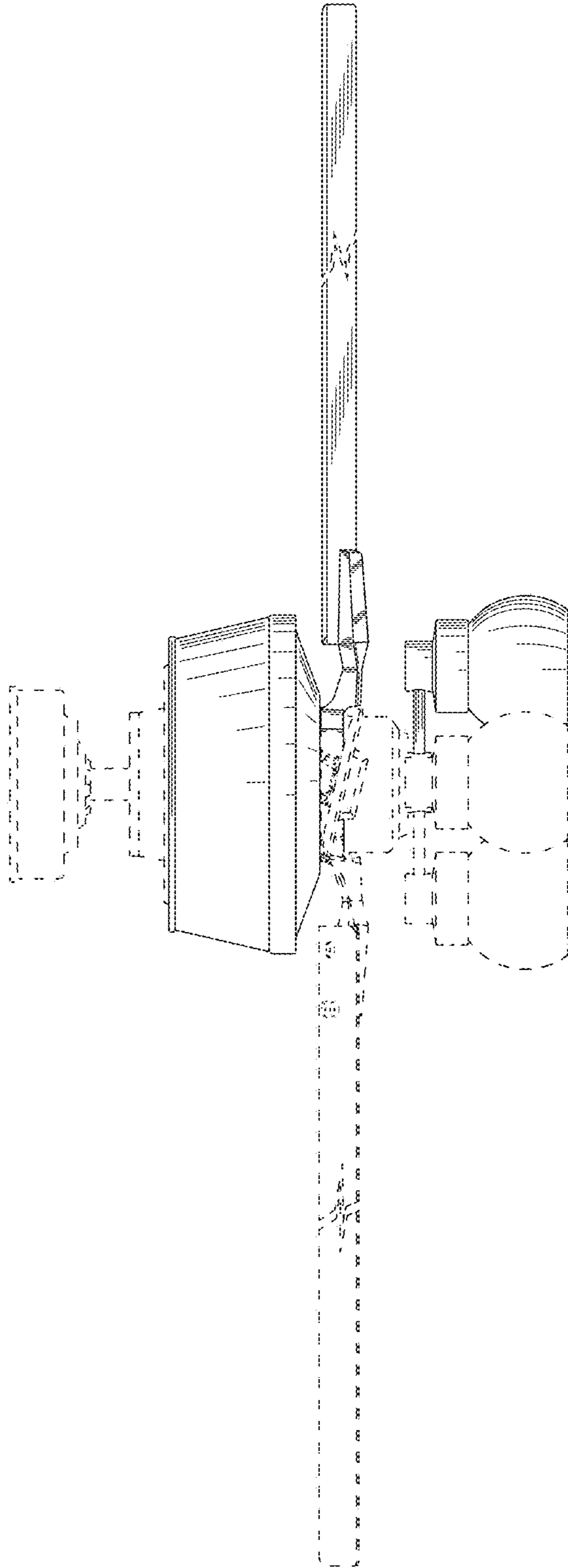


FIG. 7

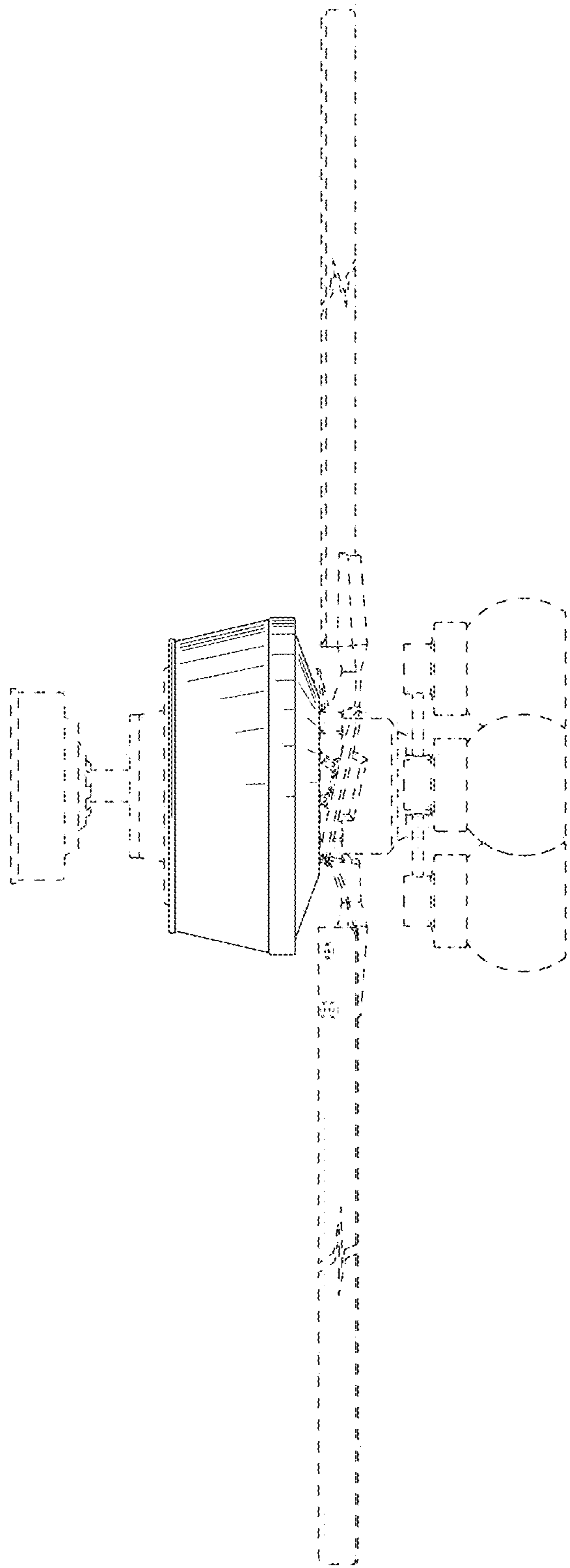


FIG. 8