

US00D966486S

(12) **United States Design Patent**
Chen et al.

(10) **Patent No.:** **US D966,486 S**
(45) **Date of Patent:** **** Oct. 11, 2022**

(54) **FAN**
(71) Applicant: **Guangzhou Tuowan Digital Technology Co., Ltd., Guangdong (CN)**

D923,773 S * 6/2021 Wang D23/382
D933,803 S * 10/2021 He D23/382
D940,850 S * 1/2022 He D23/382
11,326,611 B1 * 5/2022 Huang F04D 25/084
2007/0170320 A1 * 7/2007 Sun F04D 25/08
248/177.1

(72) Inventors: **Yanming Chen, Guangdong (CN); Jiangtao Wu, Guangdong (CN)**

* cited by examiner

(**) Term: **15 Years**

Primary Examiner — Sharon S Oum

(21) Appl. No.: **29/764,325**

(22) Filed: **Dec. 29, 2020**

(57) **CLAIM**

(30) **Foreign Application Priority Data**

The ornamental design for a fan, as shown and described.

Nov. 25, 2020 (CN) 202030720706.1

(51) **LOC (13) Cl.** **23-04**

(52) **U.S. Cl.**
USPC **D23/370; D23/382**

(58) **Field of Classification Search**
USPC D23/328, 332–337, 341, 351, 352, 355,
D23/356, 370, 371, 378, 381–383,
D23/411–412

CPC F04D 25/0673; F04D 25/08; F04D 25/084;
F04D 29/4226; F04D 25/086

See application file for complete search history.

DESCRIPTION

FIG. 1 is a front and top perspective view of a fan, showing our new design;

FIG. 2 is a rear and bottom perspective view thereof;

FIG. 3 is a front elevational view thereof;

FIG. 4 is a rear elevational view thereof;

FIG. 5 is a left side elevational view thereof;

FIG. 6 is a right side elevational view thereof;

FIG. 7 is a top plan view thereof; and,

FIG. 8 is a bottom plan view thereof.

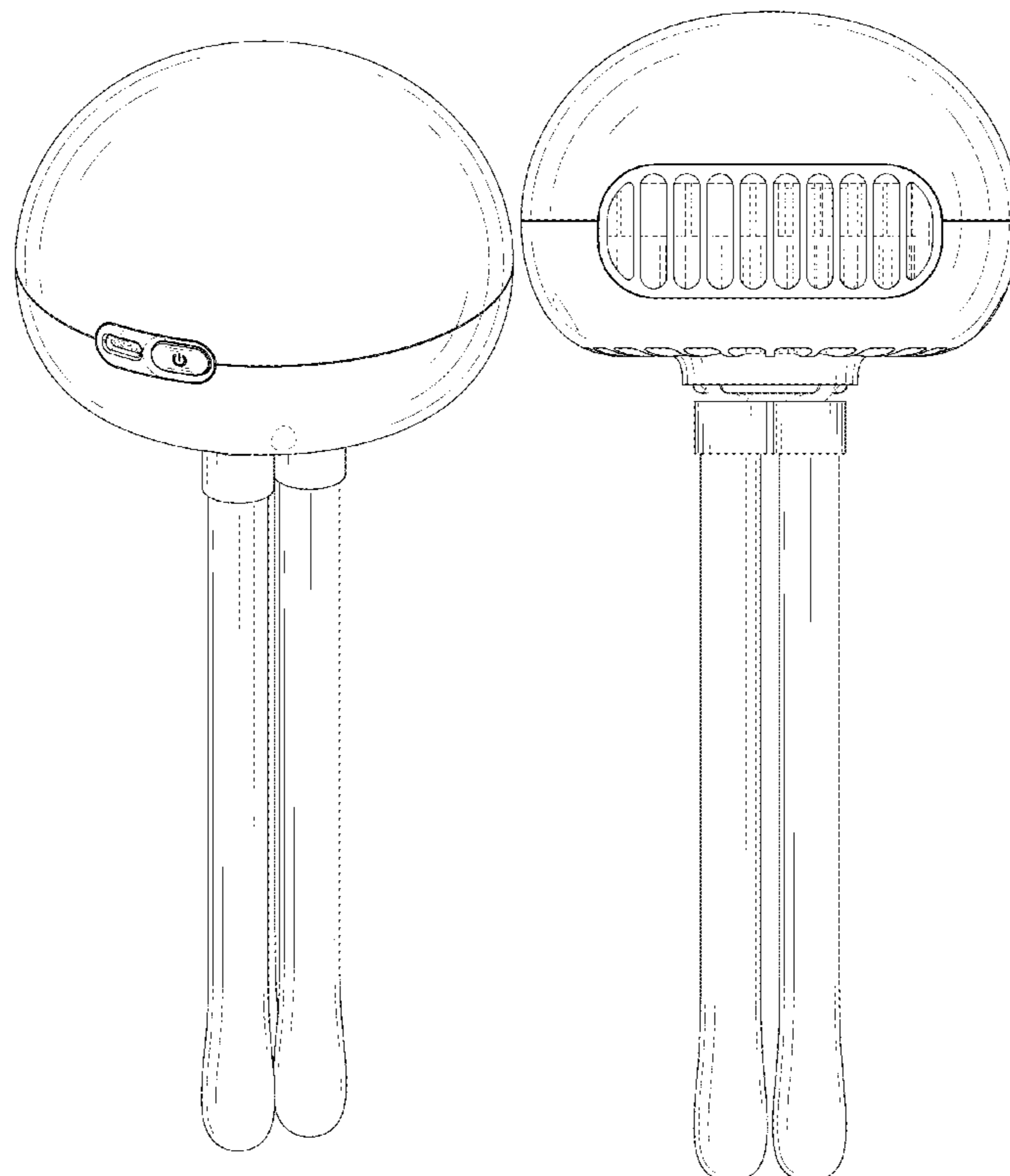
The broken lines in the figures illustrate portions of the fan that form no part of the claimed design.

(56) **References Cited**

U.S. PATENT DOCUMENTS

D754,318 S * 4/2016 Thirouin D23/370
D910,160 S * 2/2021 Hsu D23/382

1 Claim, 8 Drawing Sheets



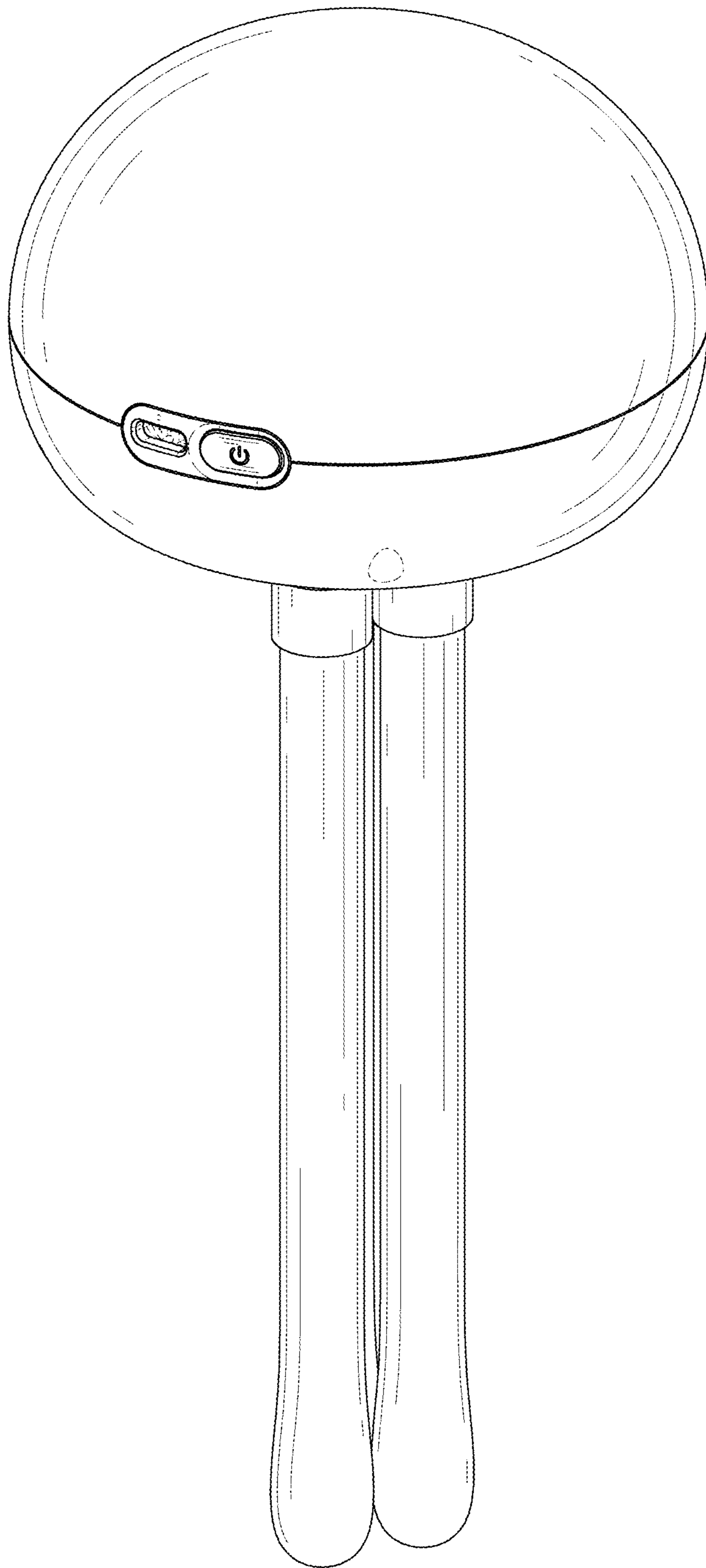


FIG. 1

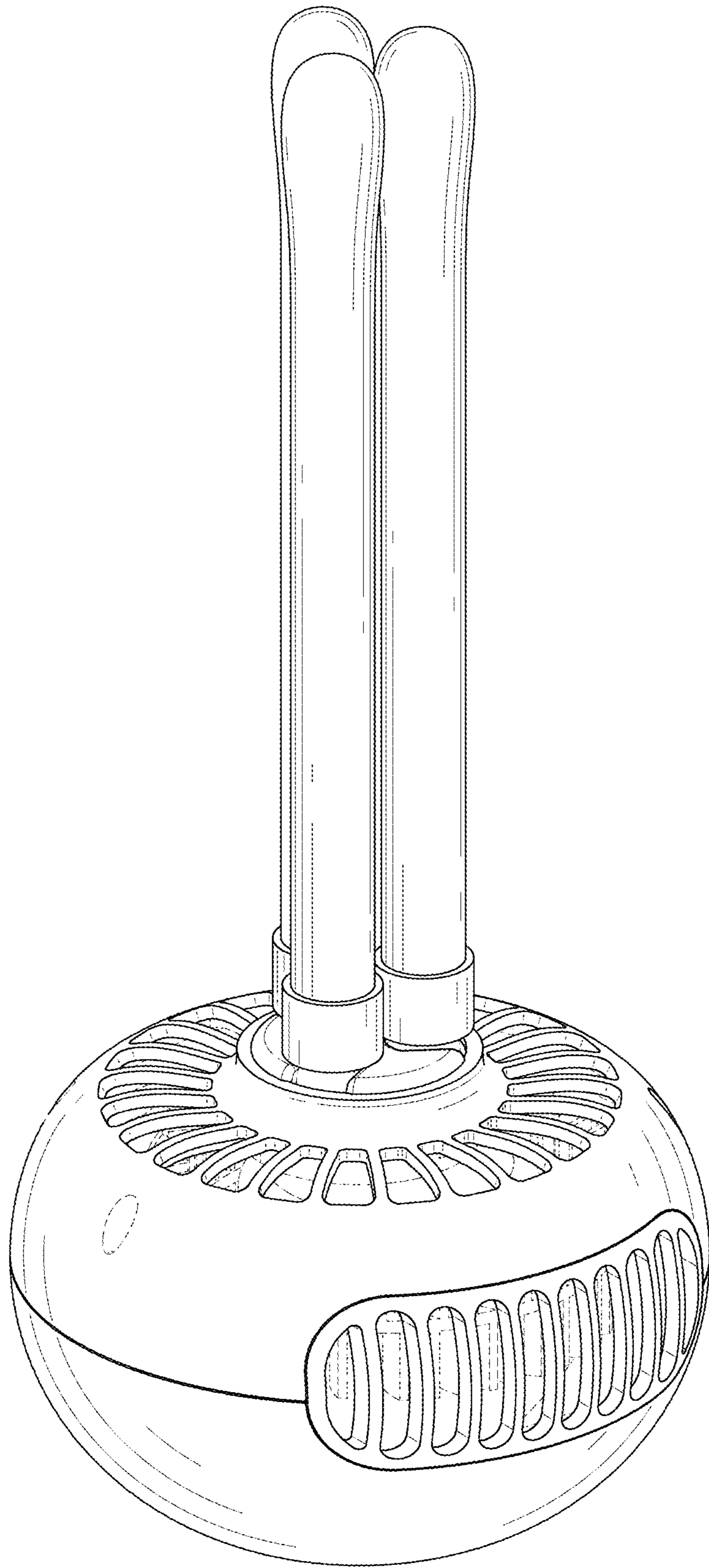


FIG. 2

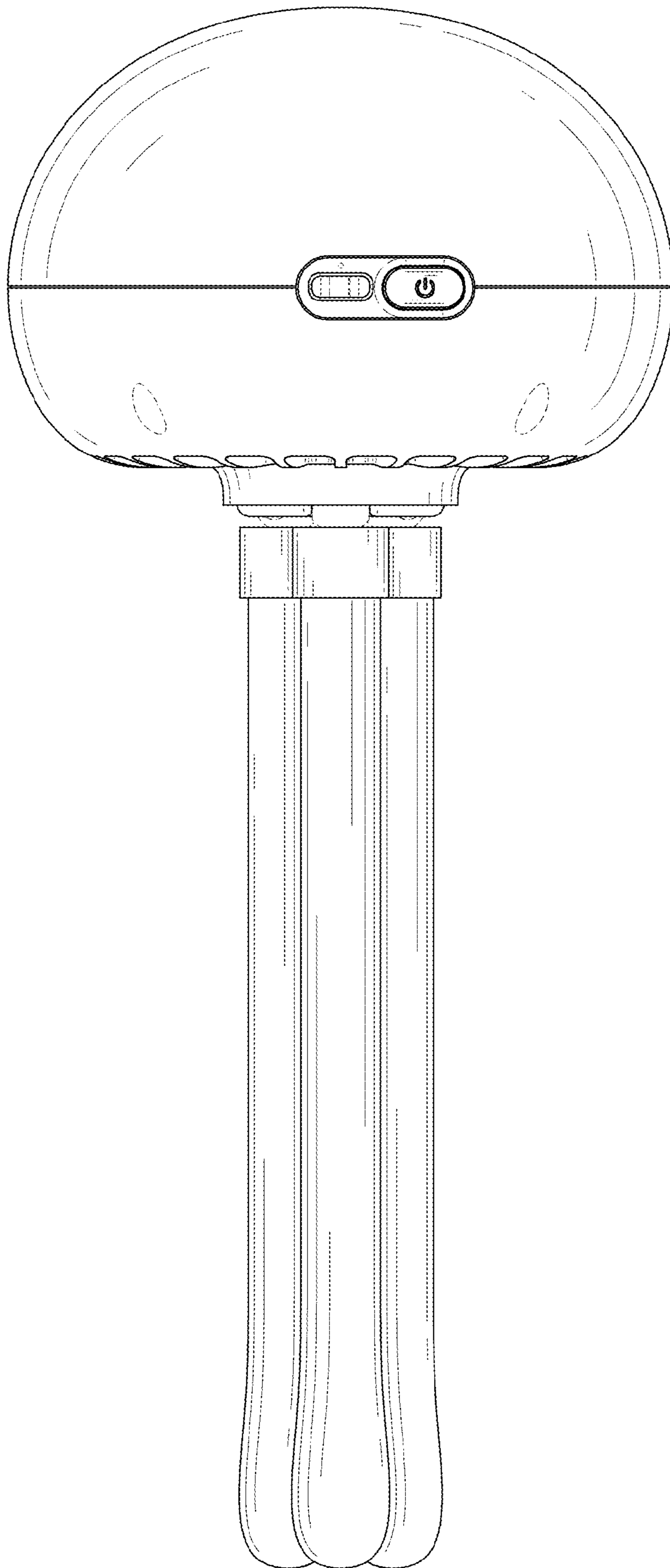


FIG. 3

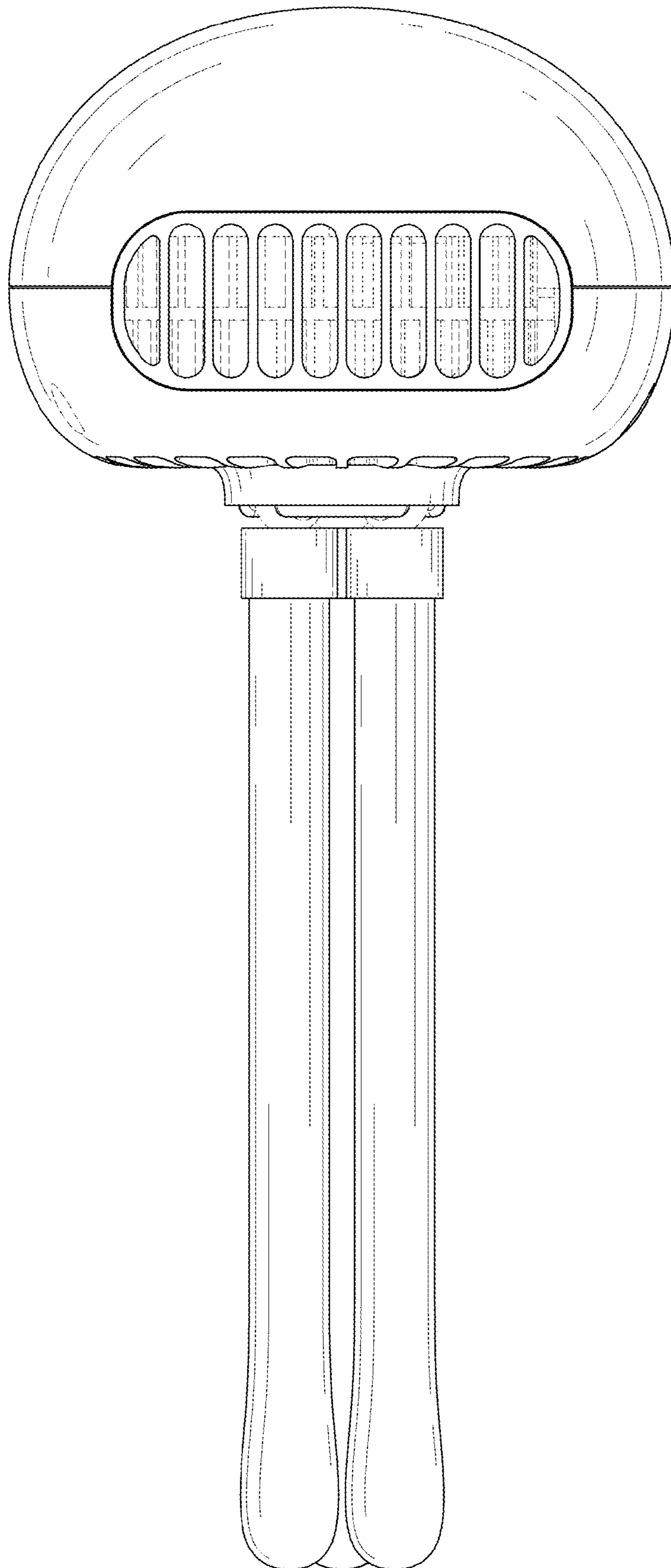


FIG. 4

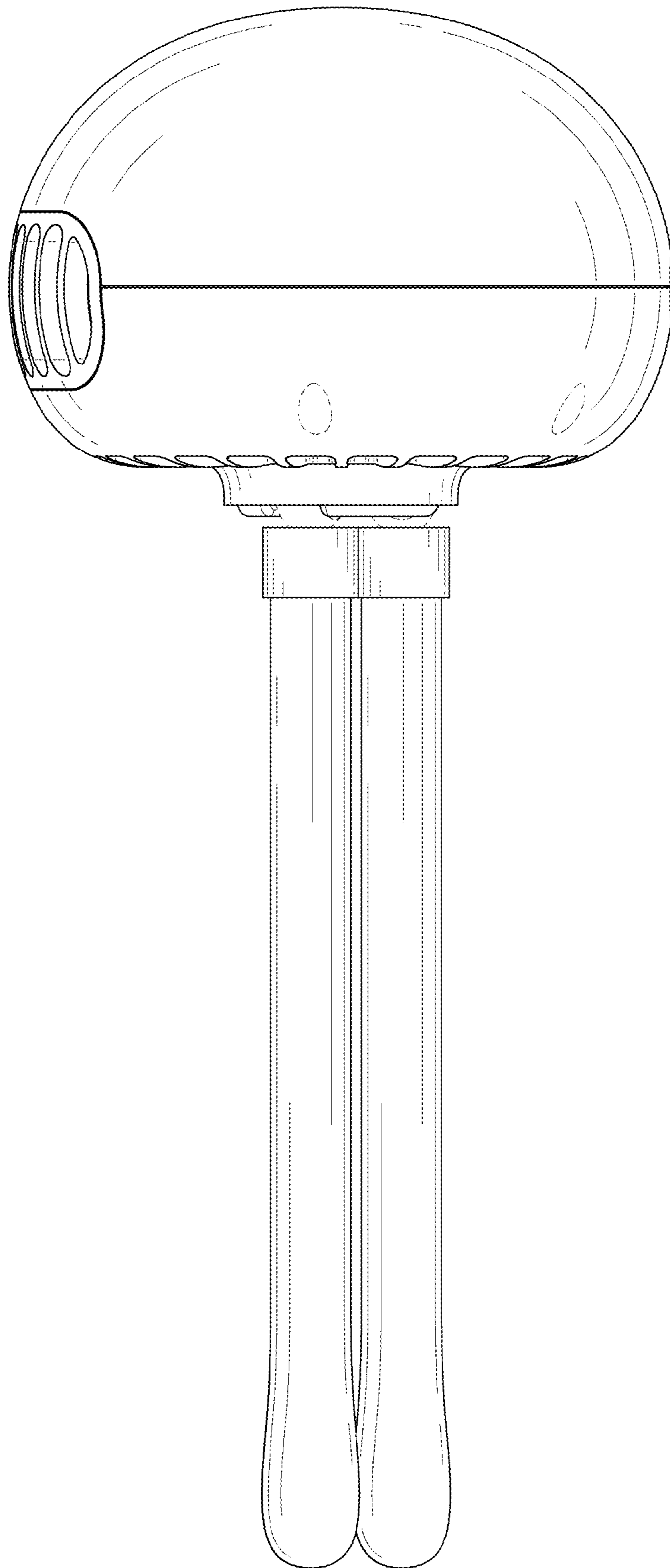


FIG. 5

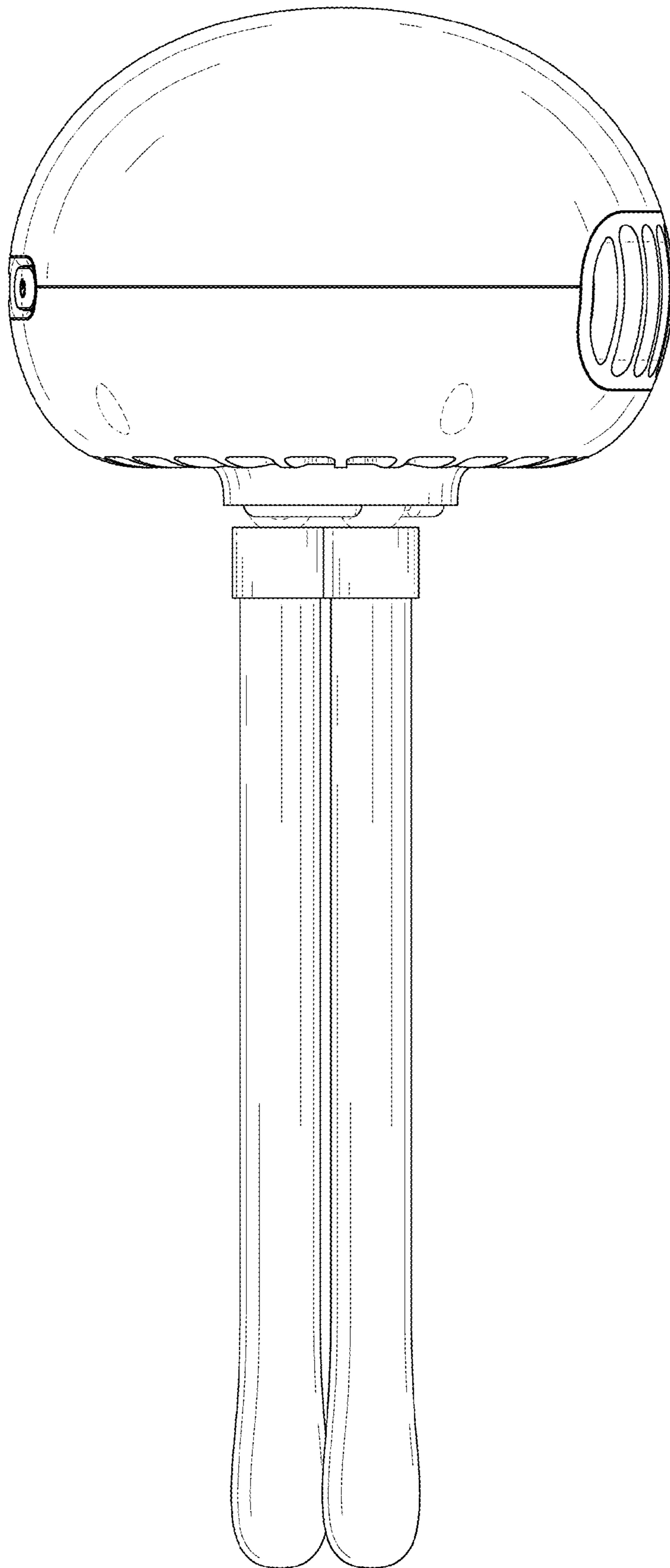


FIG. 6

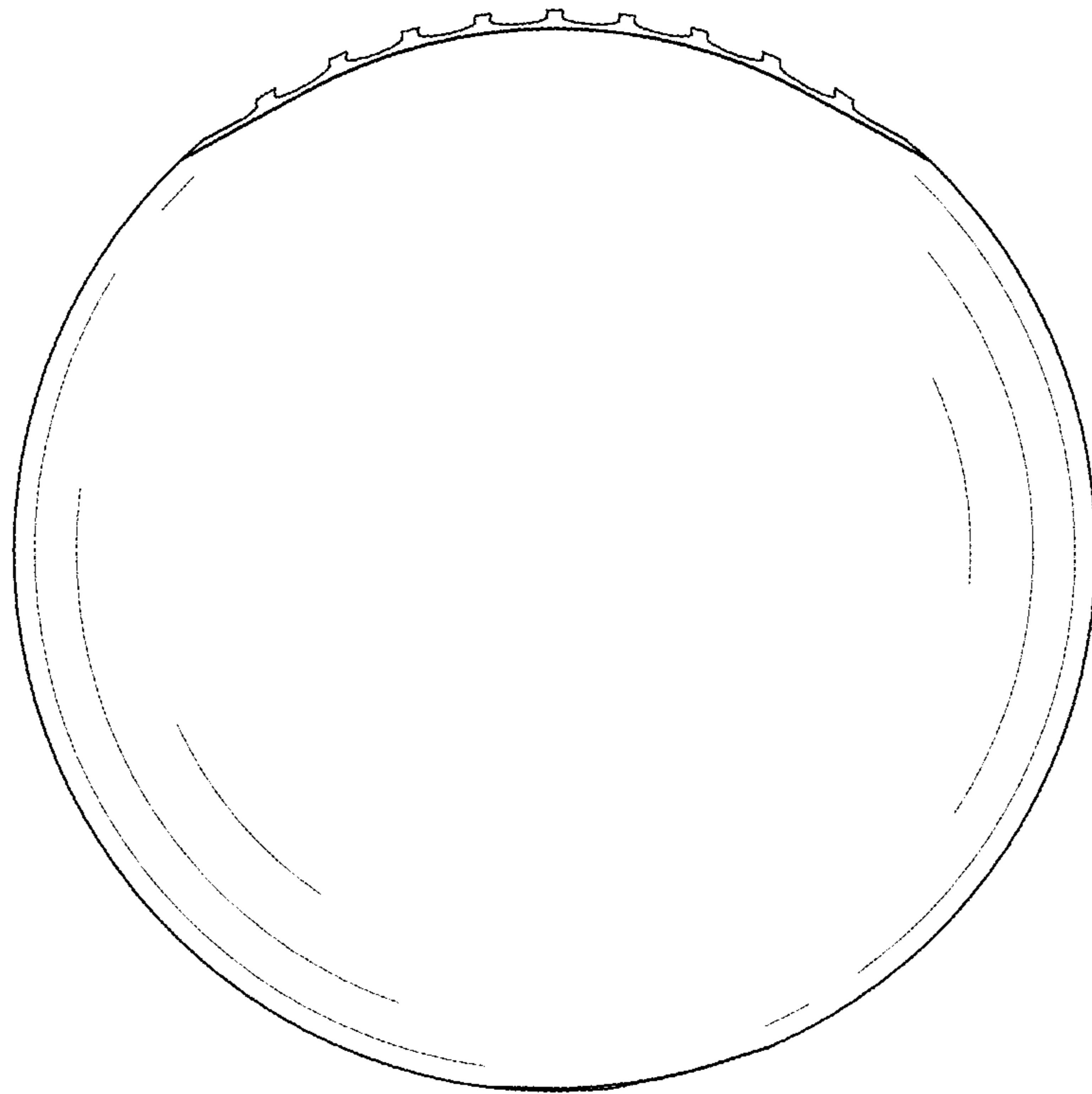


FIG. 7

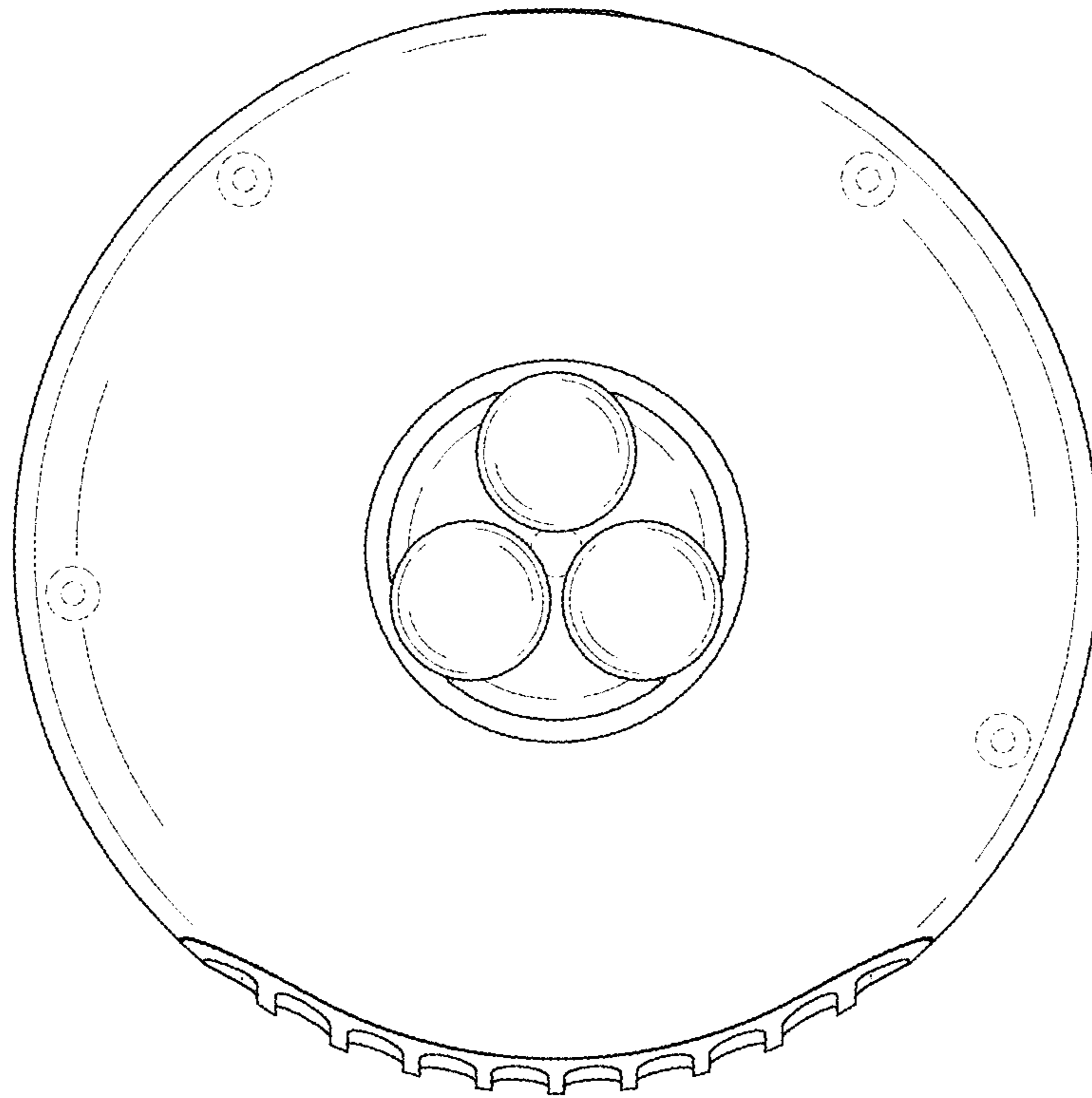


FIG. 8