

US00D966485S

(12) **United States Design Patent** (10) **Patent No.:** **US D966,485 S**  
**Oura** (45) **Date of Patent:** **\*\* Oct. 11, 2022**

(54) **DEODORIZING MACHINE**  
(71) Applicant: **SUNSTAR ENGINEERING INC.,**  
Takatsuki (JP)  
(72) Inventor: **Issei Oura**, Osaka (JP)  
(73) Assignee: **SUNSTAR ENGINEERING INC.,**  
Takatsuki (JP)

D736,870 S \* 8/2015 Nagi ..... D21/707  
D775,293 S \* 12/2016 Miller ..... D21/803  
D821,989 S \* 7/2018 Sung ..... D13/199  
D832,963 S \* 11/2018 Su ..... D21/801  
D885,660 S \* 5/2020 van Kampen ..... D28/8.1  
D903,230 S \* 12/2020 Evans ..... D1/130  
D912,798 S \* 3/2021 Oura ..... D23/366  
D913,473 S \* 3/2021 Oura ..... D23/366

(Continued)

(\*\*) Term: **15 Years**  
(21) Appl. No.: **29/744,285**  
(22) Filed: **Jul. 28, 2020**

**Related U.S. Application Data**

(62) Division of application No. 29/694,327, filed on Jun. 10, 2019, now Pat. No. Des. 913,473.

(30) **Foreign Application Priority Data**

Dec. 10, 2018 (JP) ..... 2018-026858  
Dec. 10, 2018 (JP) ..... 2018-026859

(51) **LOC (13) Cl.** ..... **23-04**

(52) **U.S. Cl.**  
USPC ..... **D23/366**

(58) **Field of Classification Search**  
USPC ..... D23/209, 355, 356, 358, 359, 360, 364,  
D23/365, 366, 367  
CPC . A61L 9/03; A61L 9/012; A61L 9/015; A61L  
9/037  
See application file for complete search history.

(56) **References Cited**

**U.S. PATENT DOCUMENTS**

D447,316 S \* 9/2001 Wolff ..... D1/127  
6,702,635 B2 \* 3/2004 Soares ..... A47C 4/54  
441/131  
D638,167 S \* 5/2011 Carey ..... D28/41  
D669,218 S \* 10/2012 Tsai ..... D28/41  
D704,916 S \* 5/2014 Toschi ..... D1/102

**OTHER PUBLICATIONS**

Zittop 80 Pcs Silicone Rubber Stoppers [Apr. 5, 2019—User Review—Adam & Sue White] found online [Dec. 30, 2021]—[https://www.amazon.com/LQZ-Silicone-Stoppers-Bracelets-Compatible/dp/B013UCJH9O/ref=asc\\_df\\_B013UCJH9O/?tag=hyprod-20&linkCode=df0&hvadid=194850414459&hvpos=&hvnetw=g&hvrand=4894490644402942368&hvpone=&h.](https://www.amazon.com/LQZ-Silicone-Stoppers-Bracelets-Compatible/dp/B013UCJH9O/ref=asc_df_B013UCJH9O/?tag=hyprod-20&linkCode=df0&hvadid=194850414459&hvpos=&hvnetw=g&hvrand=4894490644402942368&hvpone=&h.)\*

(Continued)

*Primary Examiner* — John A Voytek  
(74) *Attorney, Agent, or Firm* — WHDA, LLP

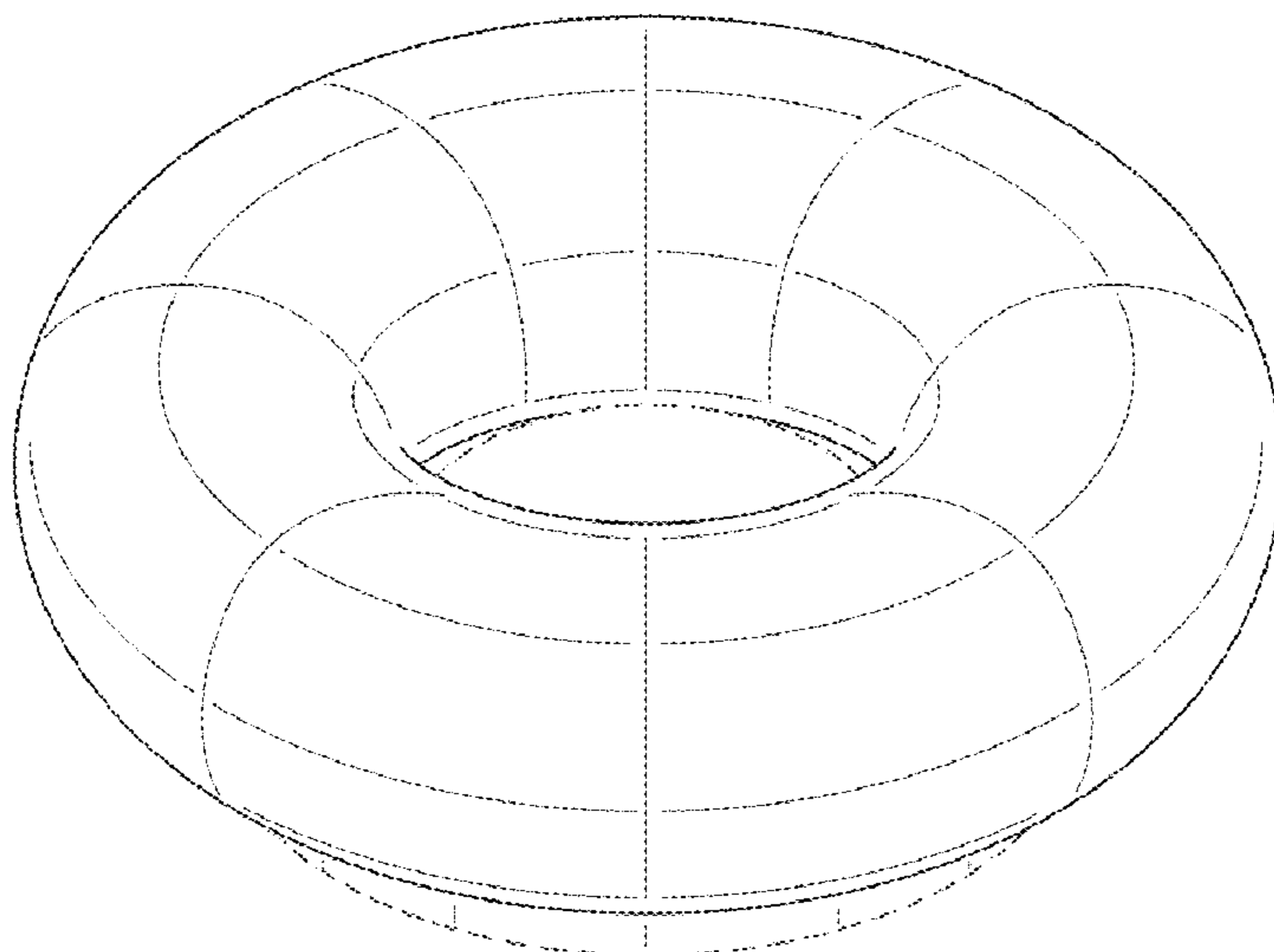
(57) **CLAIM**

The ornamental design for a deodorizing machine, as shown and described.

**DESCRIPTION**

FIG. 1 is a perspective view of a deodorizing machine, showing my new design.  
FIG. 2 is a front elevational view thereof.  
FIG. 3 is a rear elevational view thereof.  
FIG. 4 is a right side elevational view thereof.  
FIG. 5 is a left side elevational view thereof.  
FIG. 6 is a top plan view thereof.  
FIG. 7 is a bottom plan view thereof; and,  
FIG. 8 is a cross-sectional view, taken along line 8-8 of FIG. 4, with the unclaimed internal structures being omitted.  
The broken line portions of the design are included to show unclaimed portions and form no part of the claimed design.

**1 Claim, 8 Drawing Sheets**



(56)

**References Cited**

U.S. PATENT DOCUMENTS

D914,190 S \* 3/2021 Oura ..... D23/366  
D917,988 S \* 5/2021 Evans ..... D7/677

OTHER PUBLICATIONS

Sunstar QAIS Air Purifier Photocatalytic air deodorization and sterilization system [Jan. 3, 2022] found online [Jan. 3, 2022]—<https://www.japantrendshop.com/sunstar-qais-air-purifier-p-6484.html>.\*

Rock a Stack Educational Toys for Babies—Product Review [Nov. 20, 2013] found online [Jan. 25, 2022]—<https://bumpsnbaby.com/rock-stack-educational-toys-babies-fisher-price-product-review/>.\*

\* cited by examiner

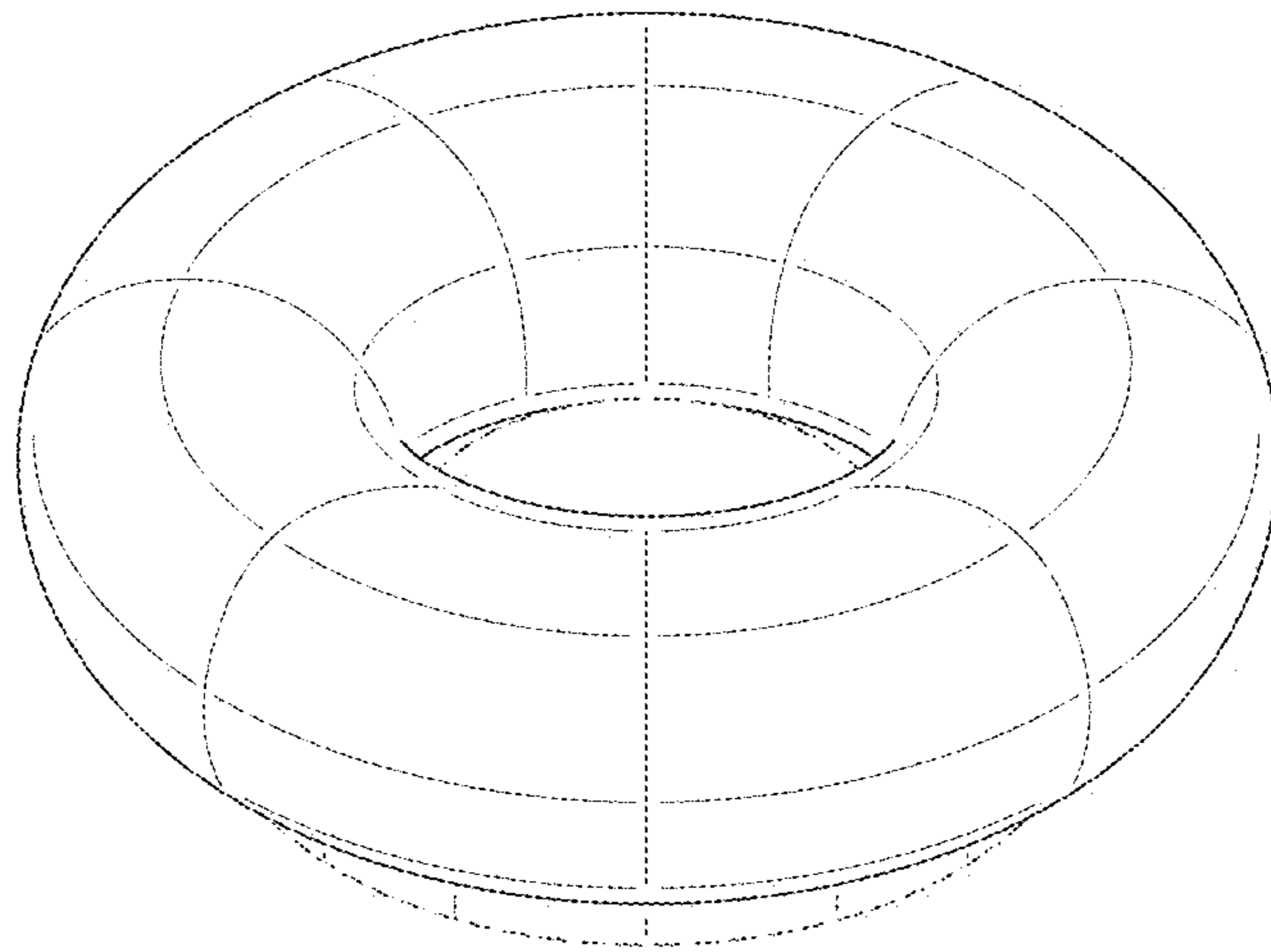


FIG. 1

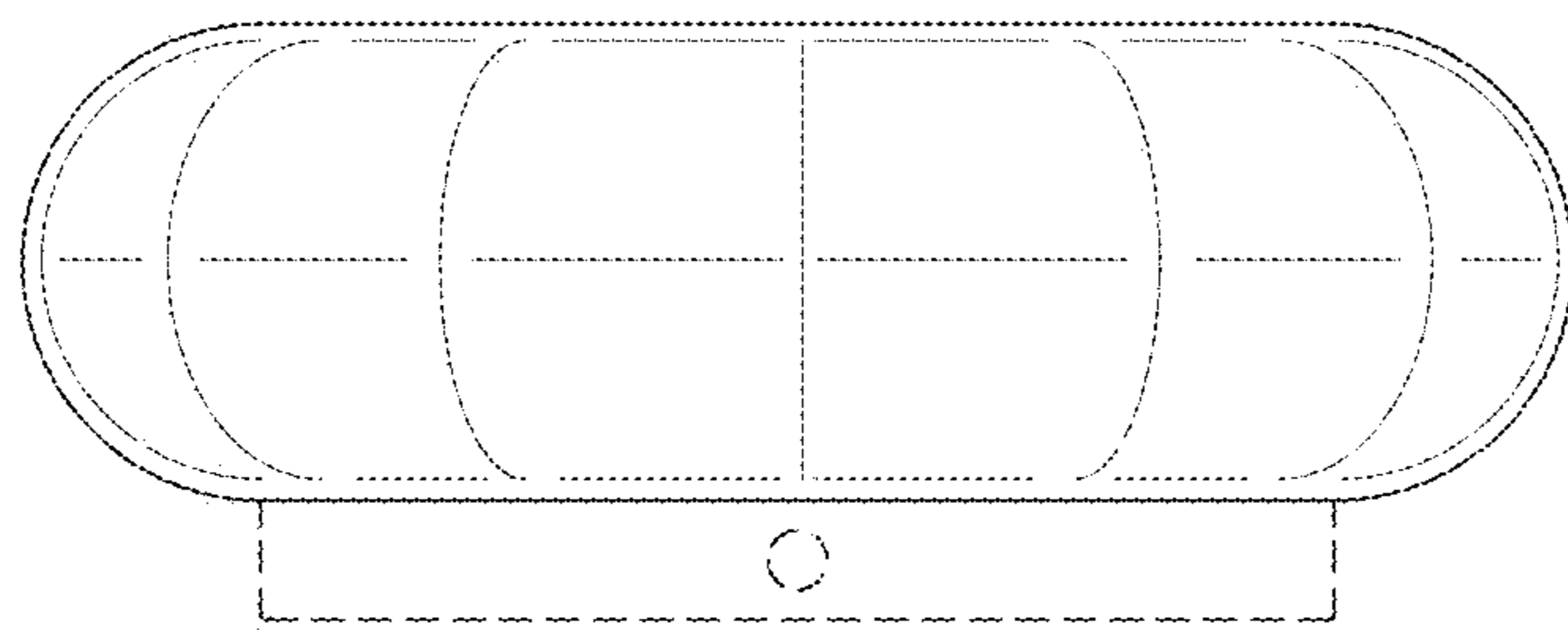


FIG. 2

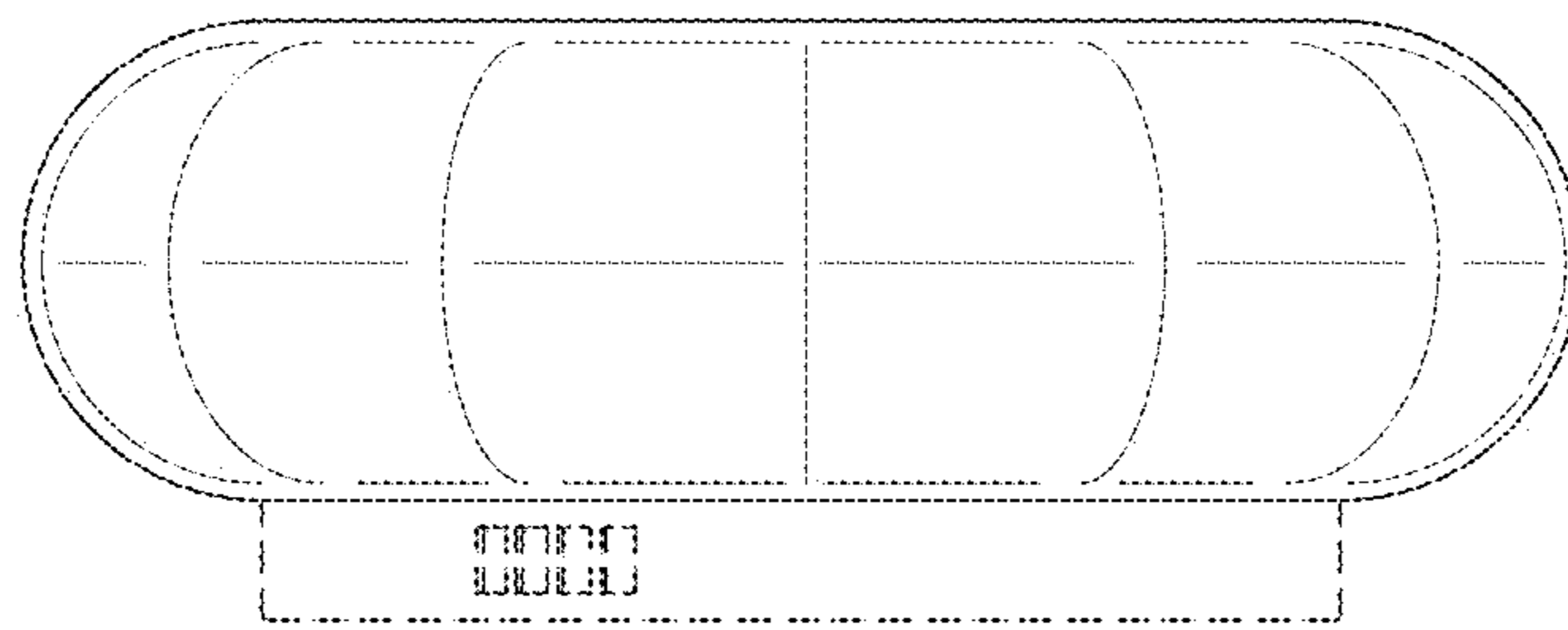


FIG. 3

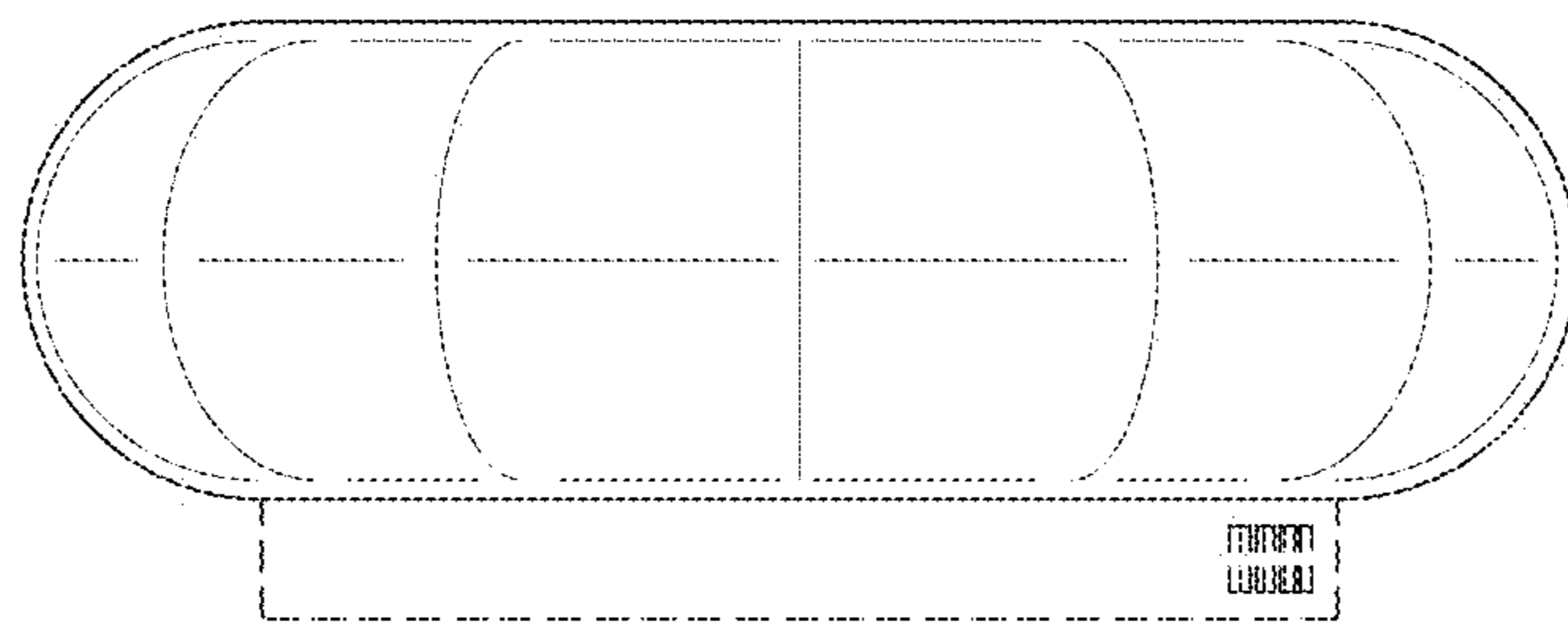


FIG. 4

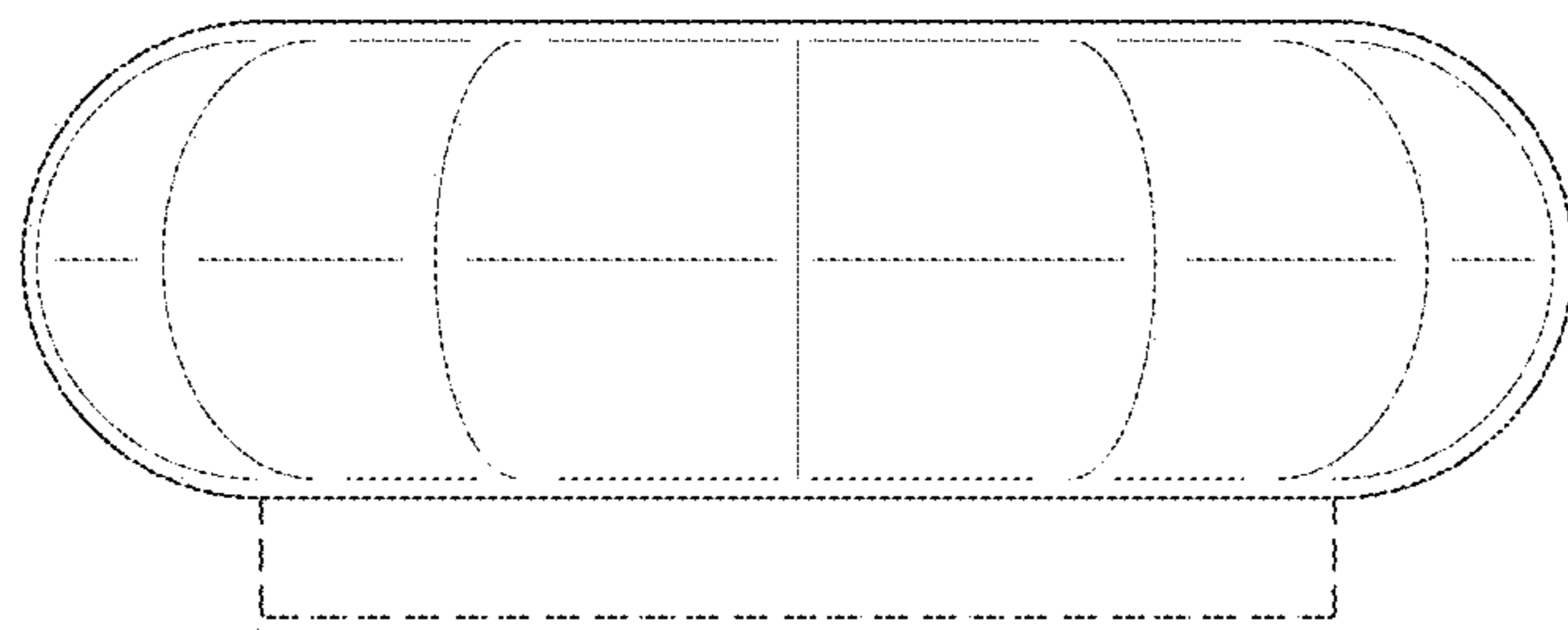


FIG. 5

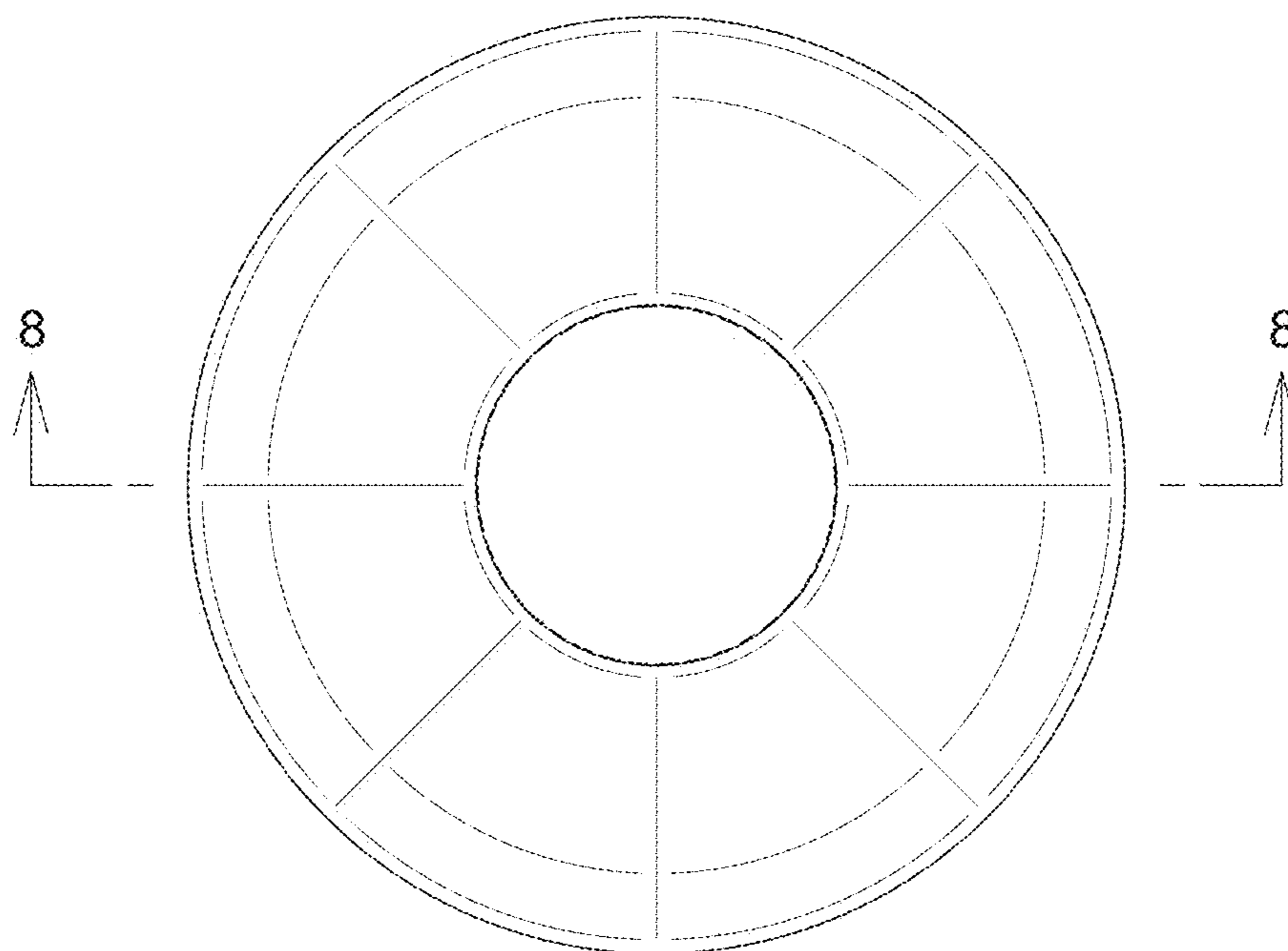


FIG. 6



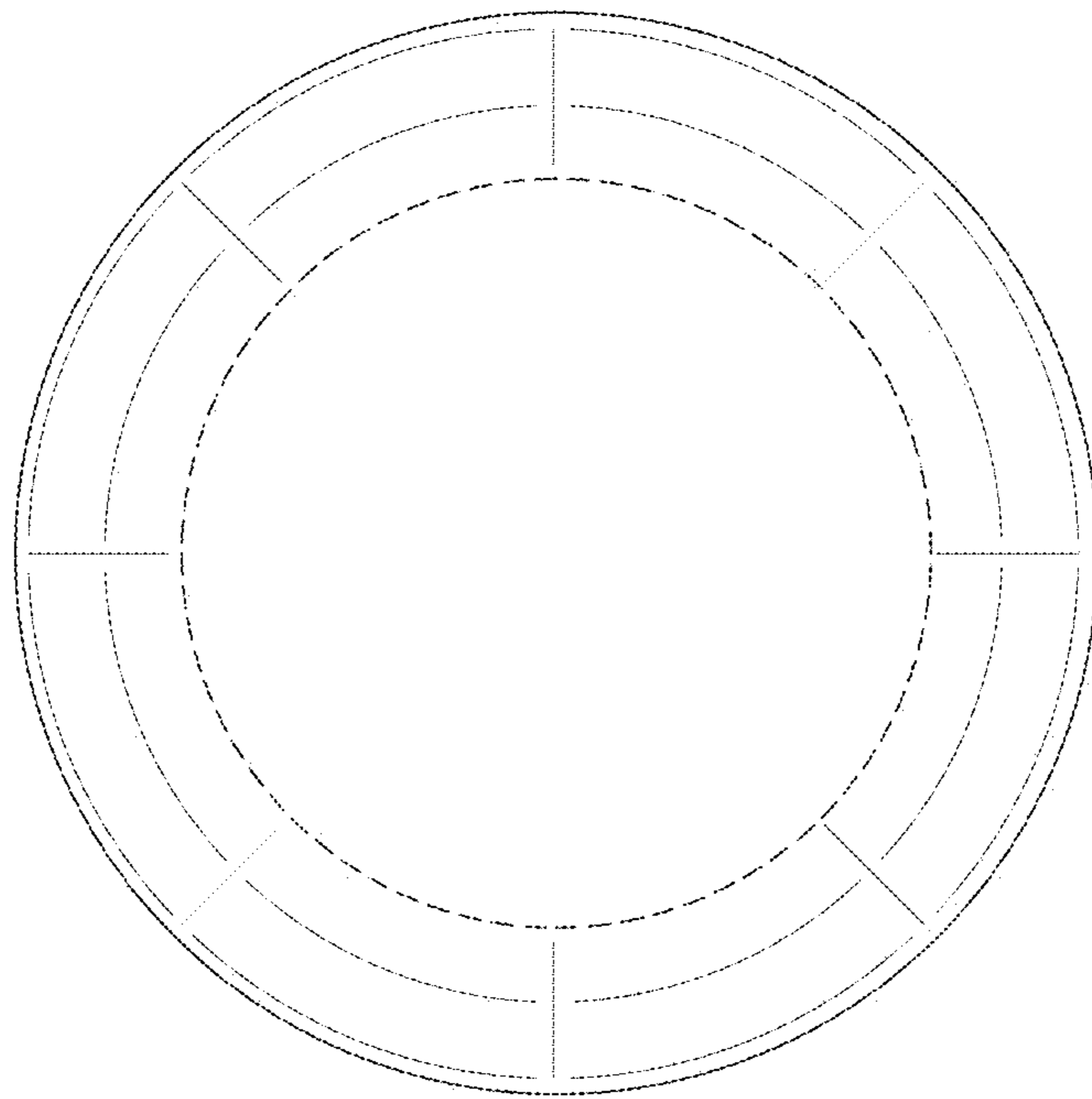


FIG. 7

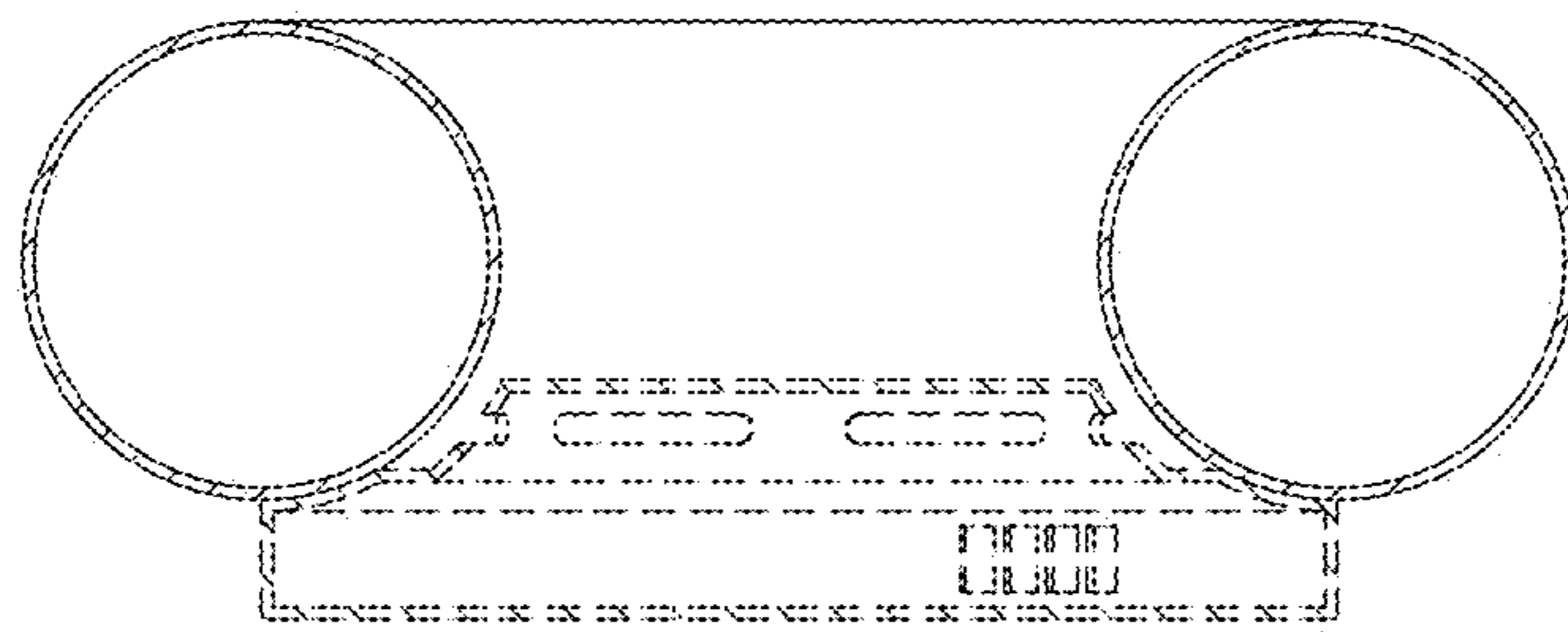


FIG. 8