



US00D966484S

(12) **United States Design Patent** (10) **Patent No.:** **US D966,484 S**
Campbell et al. (45) **Date of Patent:** **** Oct. 11, 2022**

(54) **AIR FILTRATION STAND**

(71) Applicant: **Celios Corporation**, Wakefield, MA (US)
 (72) Inventors: **Neil J. Campbell**, Woodbine, MD (US); **Iyam Lynch**, Winston-Salem, NC (US); **Michelle Campbell**, Pittsburgh, PA (US)

(73) Assignee: **DSS PureAir, Inc.**, West Henrietta, NY (US)

(**) Term: **15 Years**

(21) Appl. No.: **29/737,141**

(22) Filed: **Jun. 5, 2020**

(51) **LOC (13) Cl.** **23-04**

(52) **U.S. Cl.**
USPC **D23/365**

(58) **Field of Classification Search**
 USPC D23/200, 207, 209, 260, 261, 332, 333, D23/351-367, 370, 388, 397; D10/49
 CPC ... A61L 9/00; A61L 9/02; A61L 9/012; A61L 9/03; A61L 9/032; A61L 9/035; A61L 9/037; A61L 9/04; A61L 9/12; A61L 9/122; A61L 2209/16; F24F 1/01; F24F 1/02; F24F 1/06; F24F 1/18; F24F 1/20; F24F 1/22; F24F 1/24; F24F 1/32; F24F 1/62; F24F 1/0011; F24F 1/0014; F24F 1/0007; F24F 1/0018; F24F 1/0022; F24F 1/0029; F24F 1/0033; F24F 3/00; F24F 3/12; F24F 3/14; F24F 3/16; F24F 3/044; F24F 3/048; F24F 3/065; F24F 5/001; F24F 5/0017; F24F 5/0035; F24F 5/0003; F24F 7/013; F24F 7/10; F24F 7/0227; F24F 6/06; B01D 46/0002; B01D 46/0006; B01D 46/0008; B01D 46/0013; B01D 46/0028; B01D 46/0032; B01D 46/0036; B01D 46/0043; B01D 46/10; B01D 46/2422; B01D 46/4236; B01D 46/4245; B01D 46/521; B01D 2267/60

See application file for complete search history.

(56) **References Cited**

U.S. PATENT DOCUMENTS

D698,018 S * 1/2014 Choi D23/366
 D835,764 S * 12/2018 Farone D23/364
 10,870,076 B1 * 12/2020 Lynch B01D 46/0043
 (Continued)

OTHER PUBLICATIONS

Celios. "Celios_Amazon." www.amazon.com. Thur. Dec. 16, 2021. Shown in pp. 1,3,6, Model G200 Available from URL: <https://www.amazon.com/Celios-G200-Advanced-Air-Purifier/dp/B085WB6VVB/> (Year: 2020).*

(Continued)

Primary Examiner — Gino Colan

Assistant Examiner — David OBrien

(74) *Attorney, Agent, or Firm* — Remenick PLLC

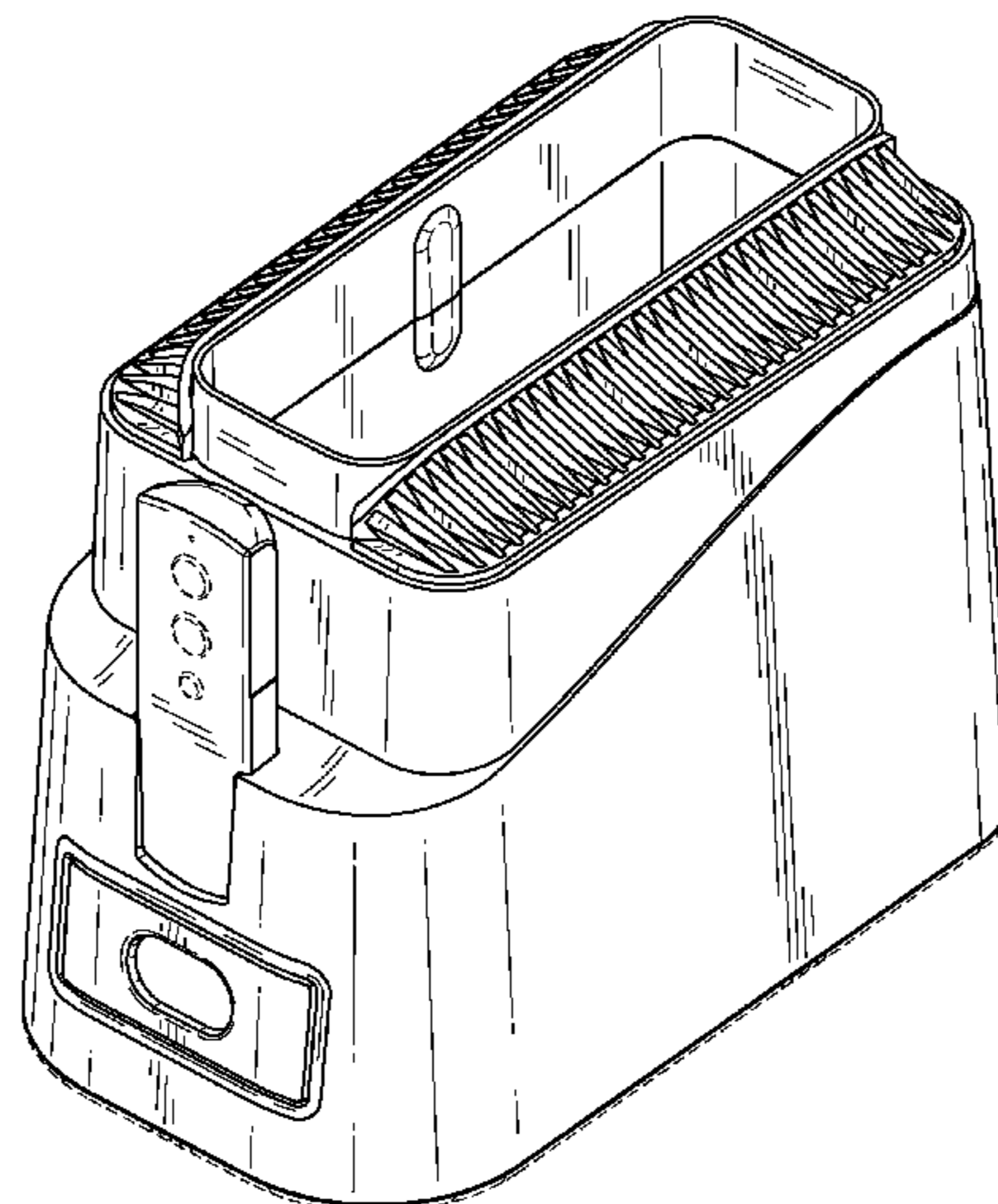
(57) **CLAIM**

The ornamental design for an air filtration stand, as shown and described.

DESCRIPTION

FIG. 1 is a perspective view of an air filtration stand showing our new design;
 FIG. 2 is a front view of the air filtration stand;
 FIG. 3 is a rear view of the air filtration stand;
 FIG. 4 is a right side view of the air filtration stand;
 FIG. 5 is a left side view of the air filtration stand;
 FIG. 6 is a top view of the air filtration stand;
 FIG. 7 is a bottom view of the air filtration stand; and,
 FIG. 8 is a perspective view of the air filtration system with a remote control separated from the stand.
 The broken lines showing in the figures are included for the purpose of illustrating portions of the air filtration device that form no part of the claimed design.

1 Claim, 7 Drawing Sheets



(56)

References Cited

U.S. PATENT DOCUMENTS

D908,198 S * 1/2021 Yoon D23/364
10,926,209 B1 * 2/2021 Lynch B01D 46/0043
D918,368 S * 5/2021 Wheeler D23/364
2006/0150818 A1 * 7/2006 Okamoto B01D 46/0028
96/223

OTHER PUBLICATIONS

Intertek. "Intertek_Full_VOC_Test_Report." www.cdn.shopify.com. Wed. Dec. 15, 2021. Shown in p. 8, Model G200, Available from URL: https://cdn.shopify.com/s/files/1/0322/6124/2925/files/Intertek_Full_VOC_Test_Report.pdf?v=1588020679 (Year: 2020).*

* cited by examiner

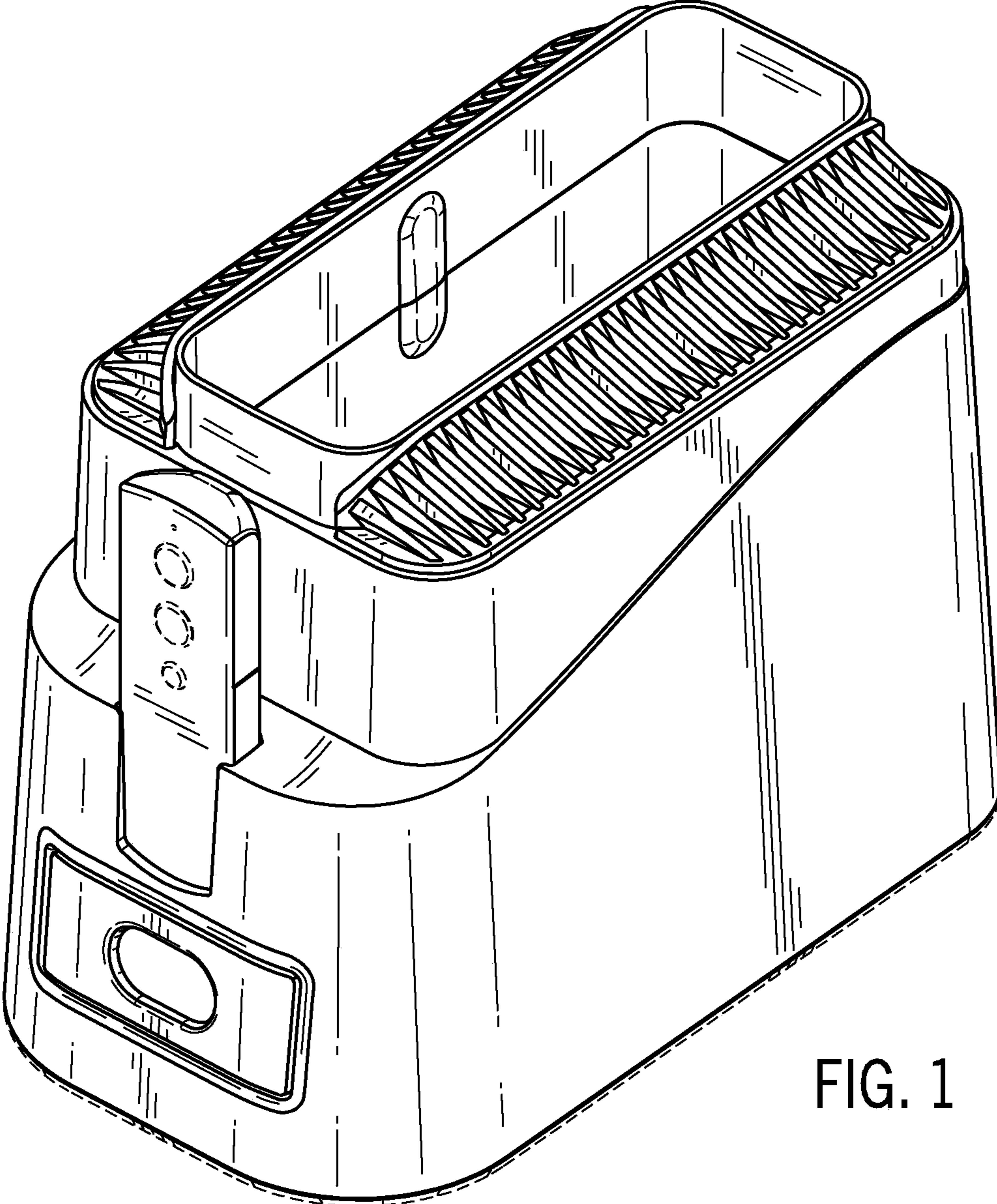


FIG. 1

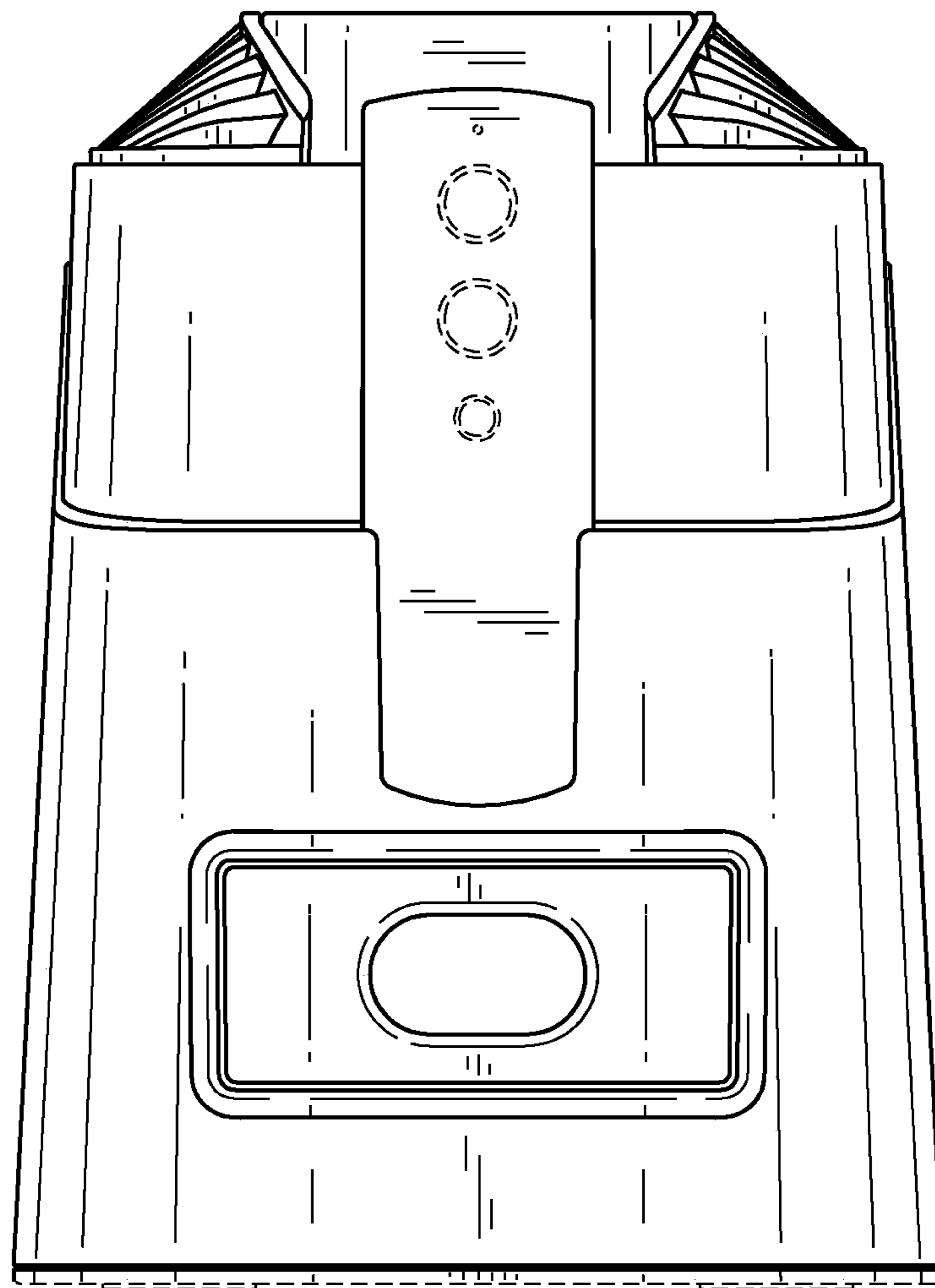


FIG. 2

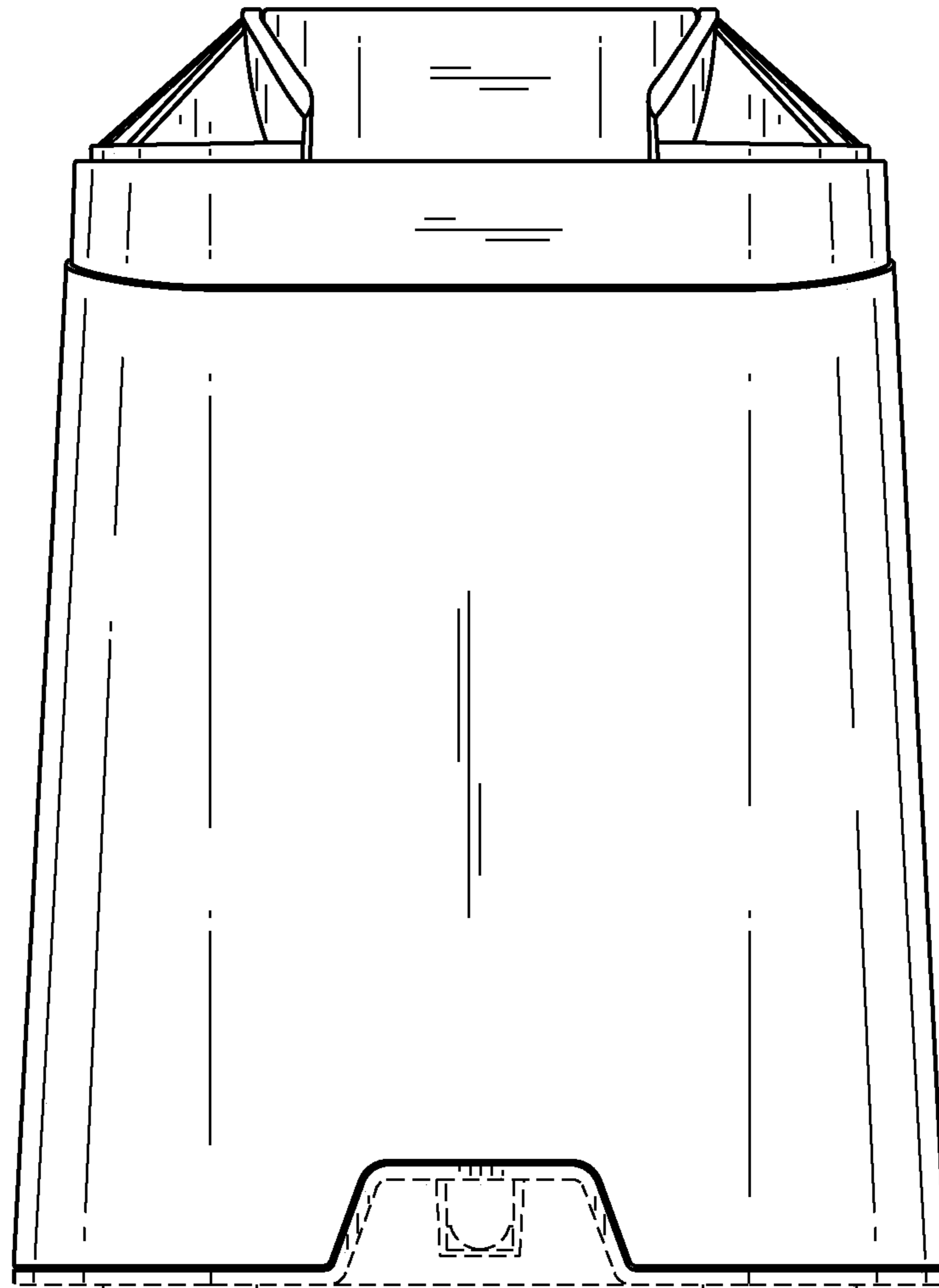


FIG. 3

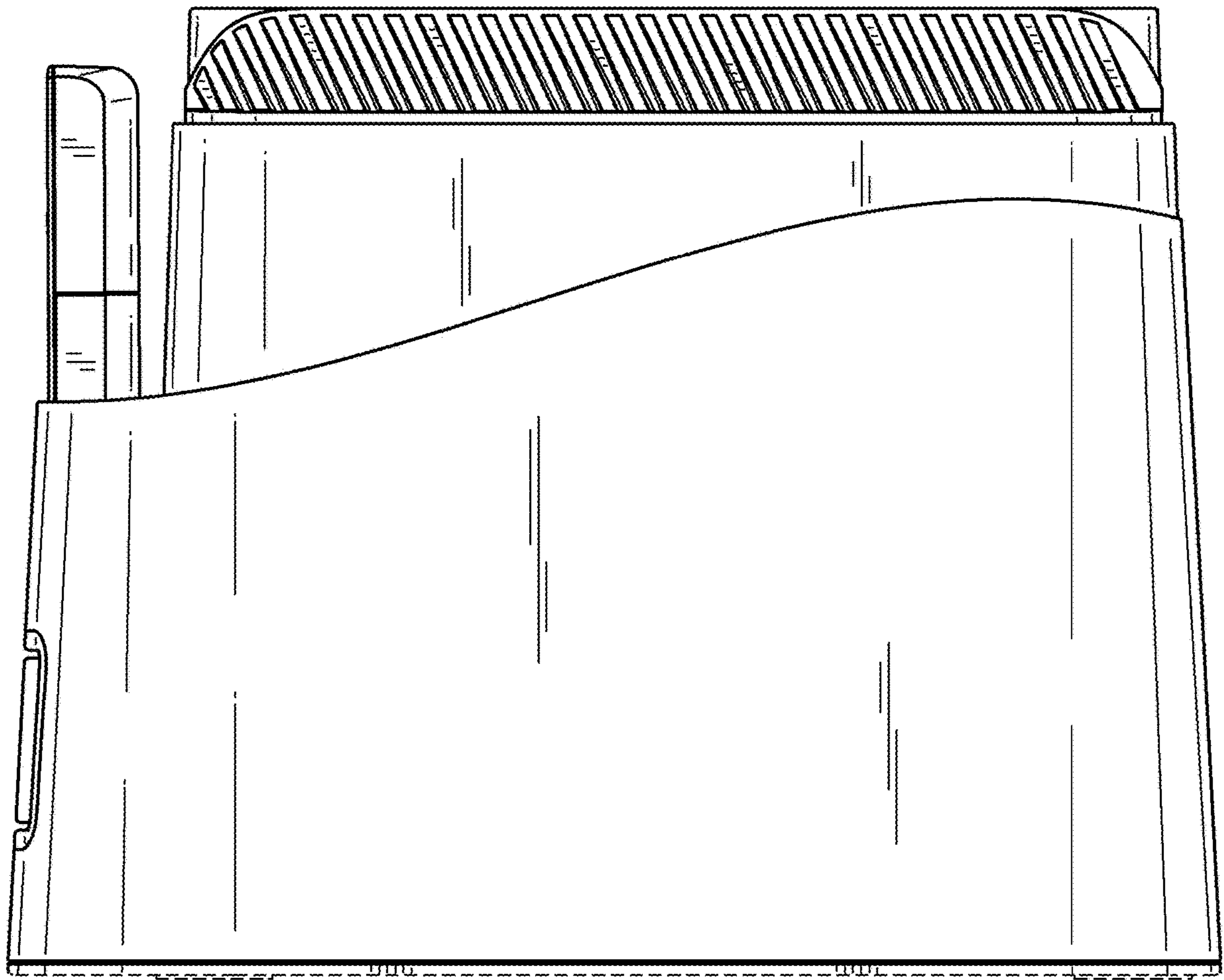


FIG. 4

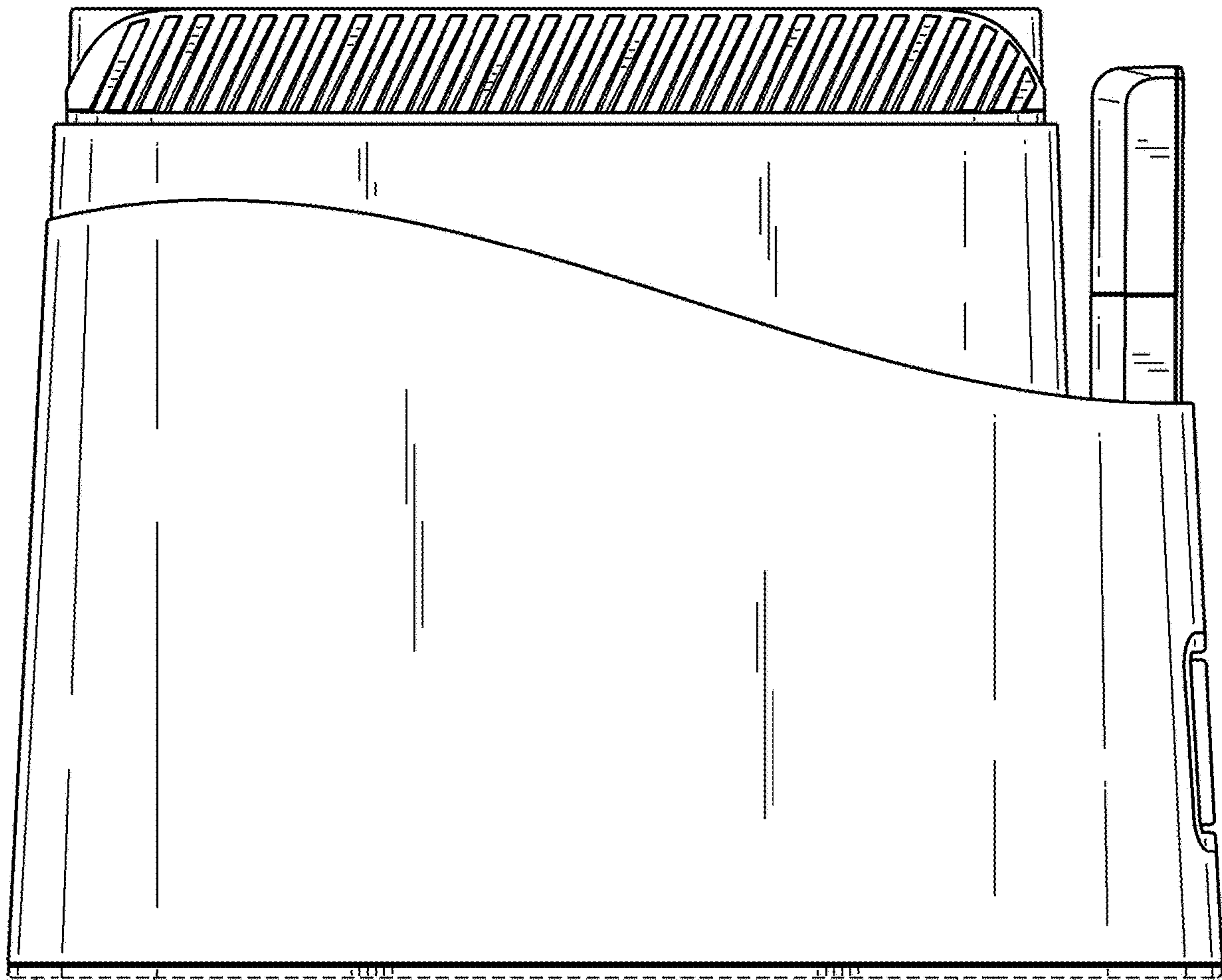


FIG. 5

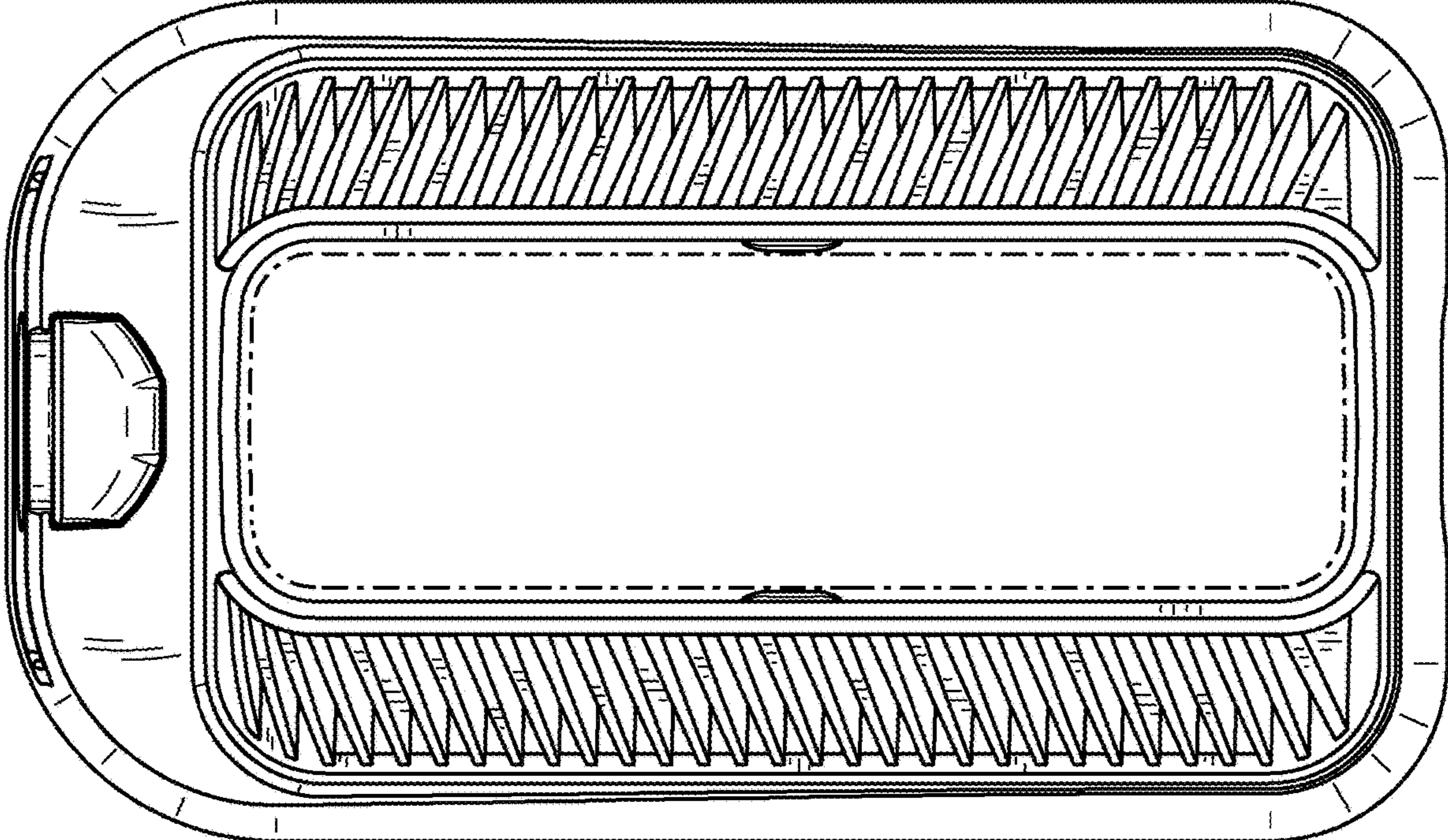


FIG. 6

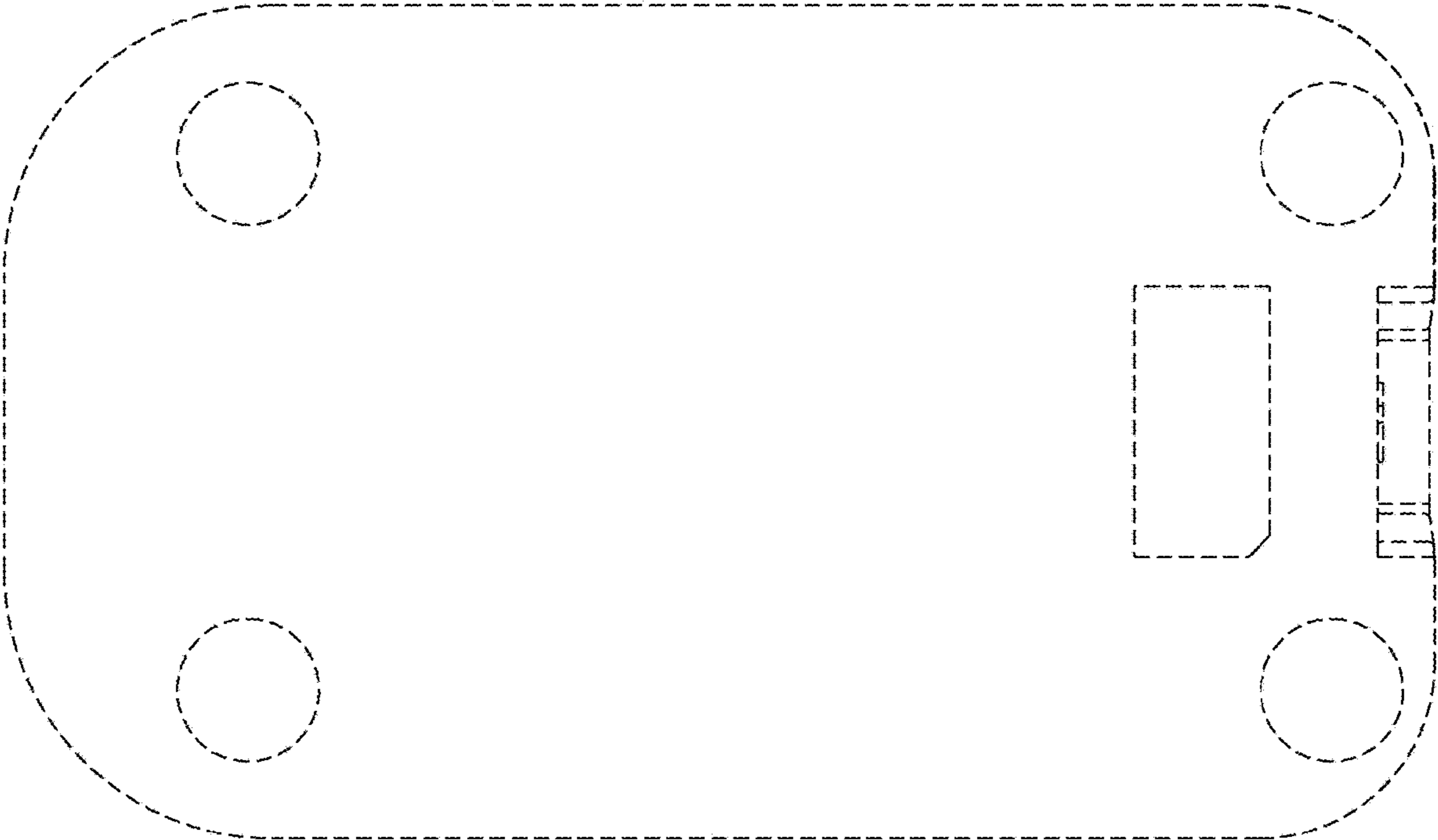


FIG. 7

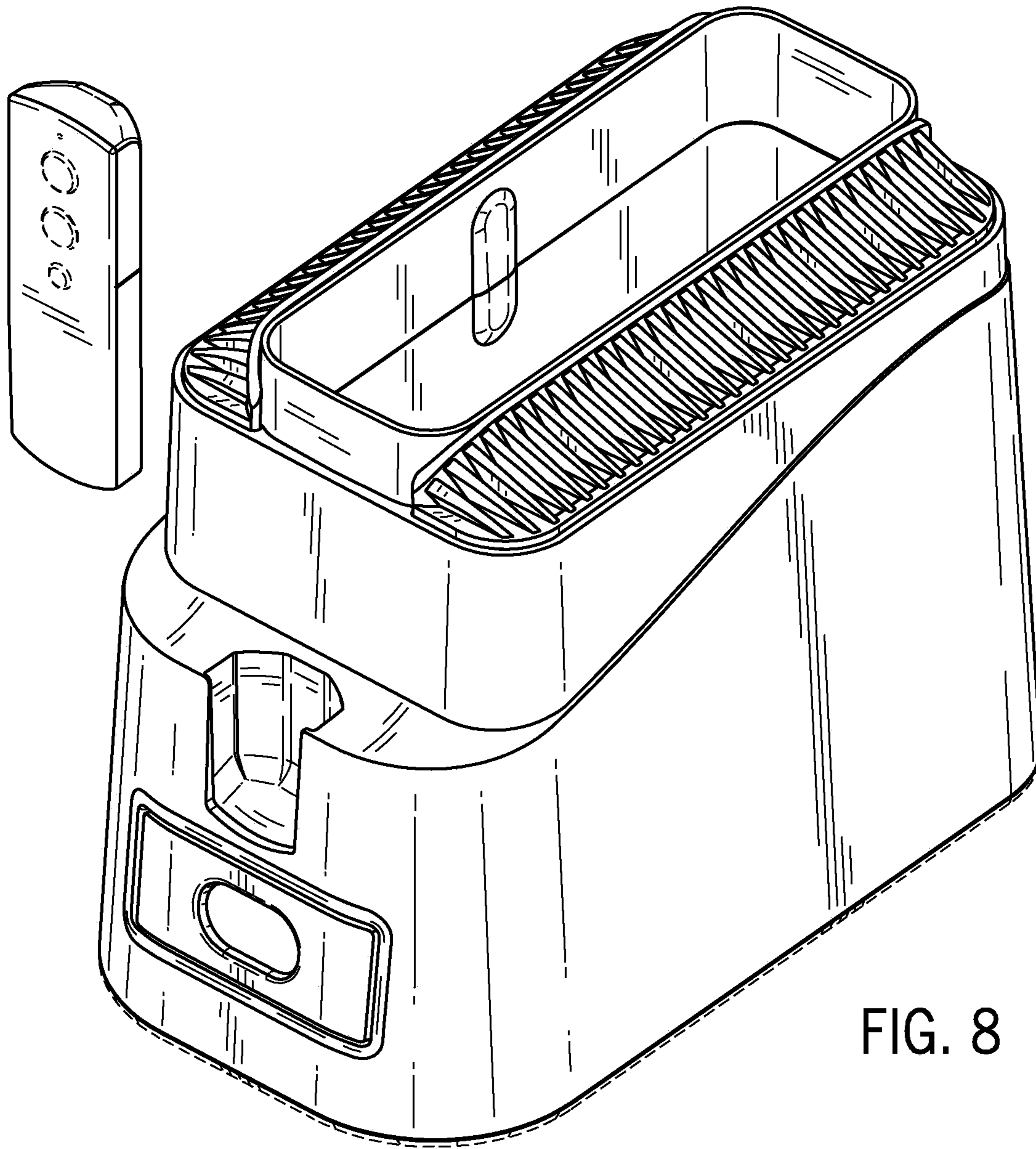


FIG. 8