



US00D966483S

(12) **United States Design Patent** (10) **Patent No.:** **US D966,483 S**  
**Bruce et al.** (45) **Date of Patent:** **\*\* Oct. 11, 2022**

(54) **PREFILTER**

(71) Applicants: **Jerry A. Bruce**, Greer, SC (US); **James C. Brown**, Campobello, SC (US)

(72) Inventors: **Jerry A. Bruce**, Greer, SC (US); **James C. Brown**, Campobello, SC (US)

(\*\*) Term: **15 Years**

(21) Appl. No.: **29/732,839**

(22) Filed: **Apr. 28, 2020**

(51) **LOC (13) Cl.** ..... **23-04**

(52) **U.S. Cl.**

USPC ..... **D23/365**

(58) **Field of Classification Search**

USPC ..... D23/200, 207, 209, 260, 261, 332, 333, D23/351-367, 370, 388, 393, 397, 412; D10/49; D13/168

CPC ... A61L 9/00; A61L 9/02; A61L 9/012; A61L 9/03; A61L 9/032; A61L 9/035; A61L 9/037; A61L 9/04; A61L 9/12; A61L 9/122; A61L 2209/16; F24F 1/01; F24F 1/02; F24F 1/06; F24F 1/18; F24F 1/20; F24F 1/22; F24F 1/24; F24F 1/32; F24F 1/62; F24F 1/0011; F24F 1/0014; F24F 1/0007; F24F 1/0018; F24F 1/0022; F24F 1/0029; F24F 1/0033; F24F 3/00; F24F 3/12; F24F 3/14; F24F 3/16; F24F 3/044; F24F 3/048; F24F 3/065; F24F 5/001; F24F 5/0017; F24F 5/0035; F24F 5/0003; F24F 7/013; F24F 7/10; F24F 7/0227; F24F 6/06; B01D 46/0002; B01D 46/0005; B01D 46/0006; B01D 46/0008; B01D 46/0009; B01D 46/0013; B01D 46/0028; B01D 46/0032; B01D 46/0036; B01D 46/0043; B01D 46/10; B01D 46/12; B01D 46/2422; B01D 46/4236; B01D 46/4245; B01D 46/521; B01D 2267/60

See application file for complete search history.

(56) **References Cited**

U.S. PATENT DOCUMENTS

D605,274 S *	12/2009	Kawano	.....	D23/365
D754,315 S *	4/2016	Morin	.....	D23/365
D898,177 S *	10/2020	Guo	.....	D23/365
2011/0225939 A1 *	9/2011	Loggins	.....	B01D 46/0005 55/357
2016/0136560 A1 *	5/2016	Gillilan	.....	B01D 46/12 55/482
2017/0266597 A1 *	9/2017	Winters	.....	B01D 46/521
2018/0015404 A1 *	1/2018	Branzelle	.....	B01D 46/0009

\* cited by examiner

*Primary Examiner* — Gino Colan

*Assistant Examiner* — David OBrien

(74) *Attorney, Agent, or Firm* — Burr & Forman LLP;  
Douglas L. Lineberry

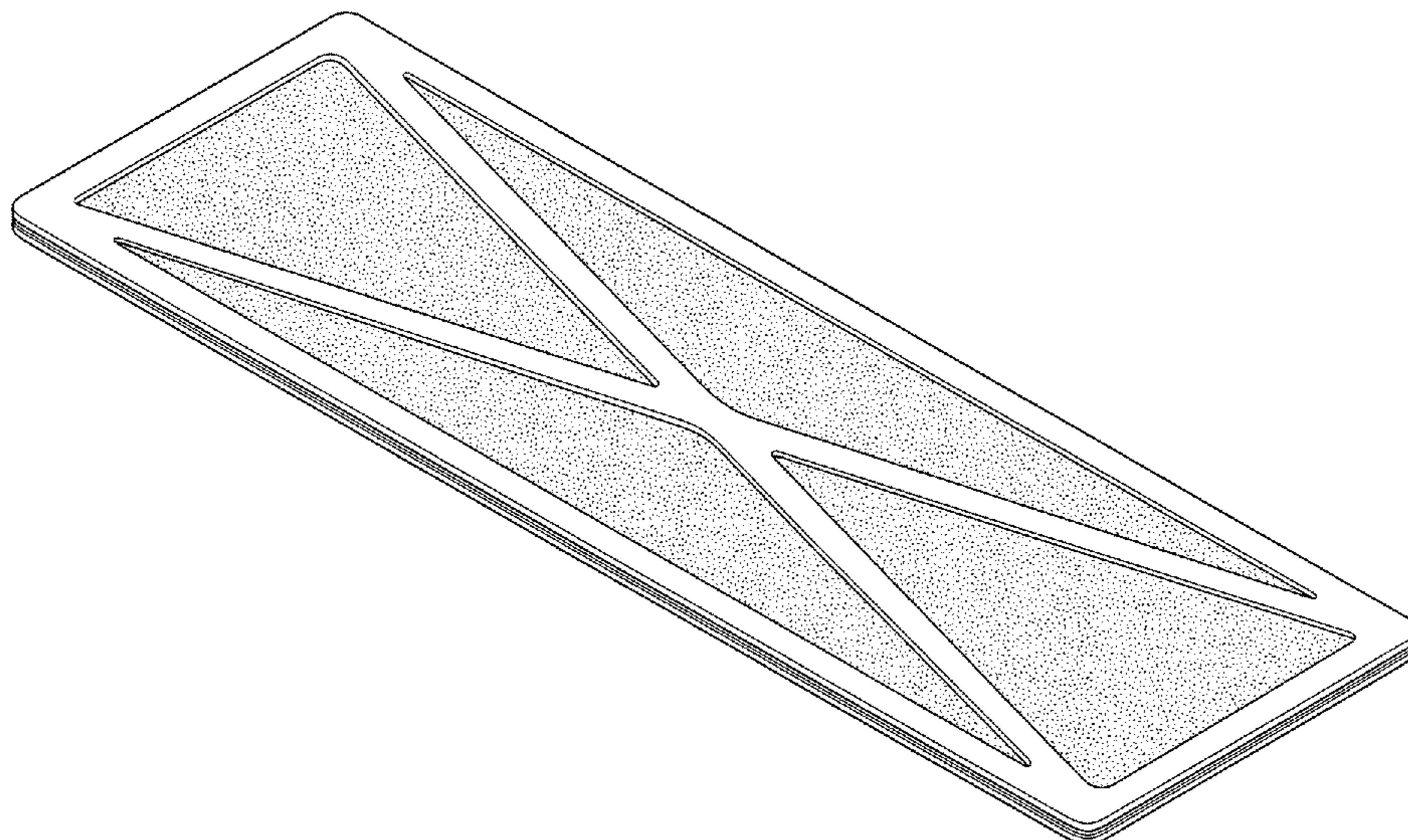
(57) **CLAIM**

The ornamental design for a prefilter, as shown and described.

**DESCRIPTION**

FIG. 1 is a front perspective view of the prefilter;  
FIG. 2 is a front view of the prefilter;  
FIG. 3 is a back (rear) view of the prefilter;  
FIG. 4 is a left side view of the prefilter;  
FIG. 5 is a right side view of the prefilter;  
FIG. 6 is a top view of the prefilter;  
FIG. 7 is a bottom view of the prefilter; and,  
FIG. 8 is a view showing the prefilter relationship to a potential primary filter.  
The broken lines shown in the figures are for the purpose of illustrating environmental structure and form no part of the claimed design.

**1 Claim, 4 Drawing Sheets**



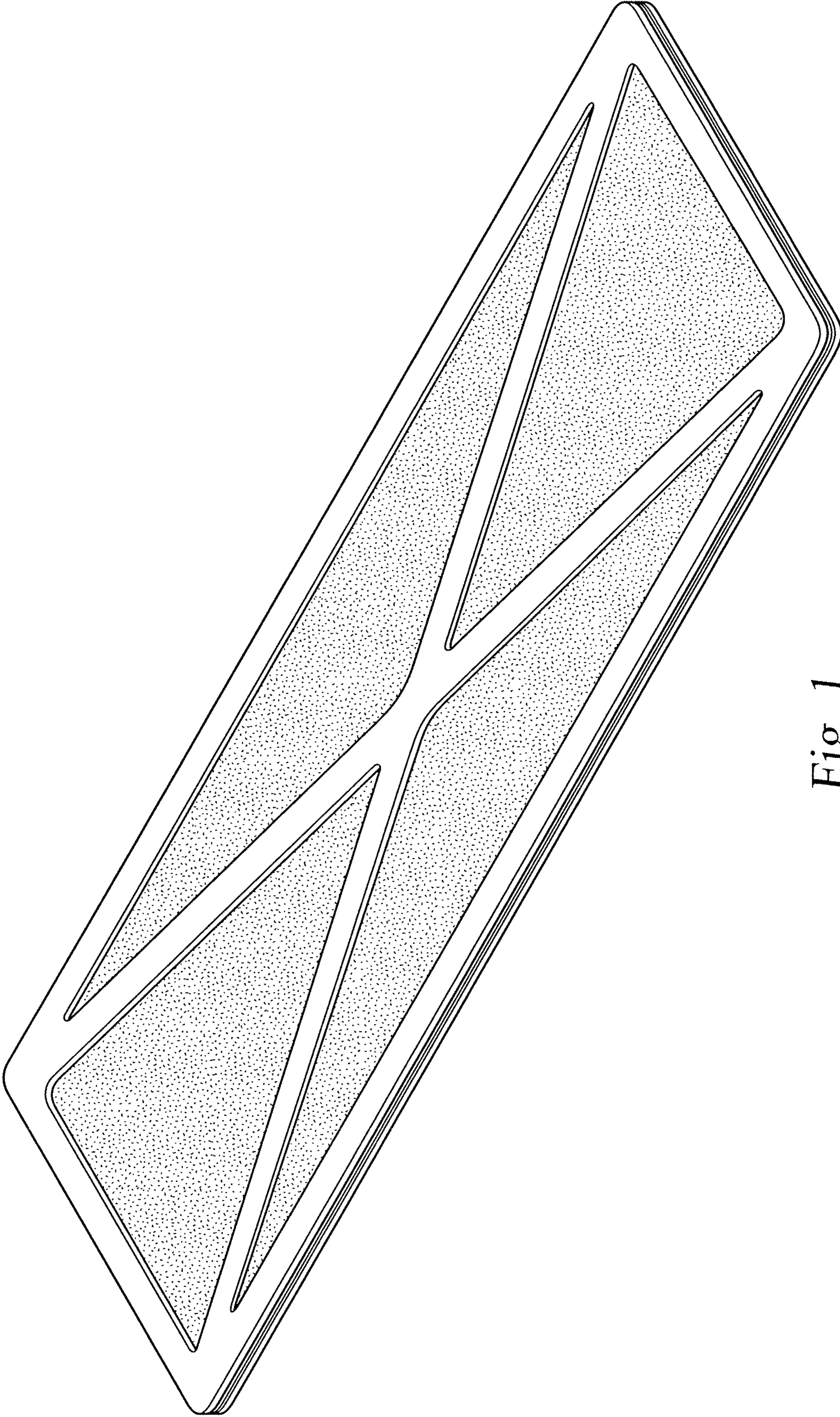


Fig. 1



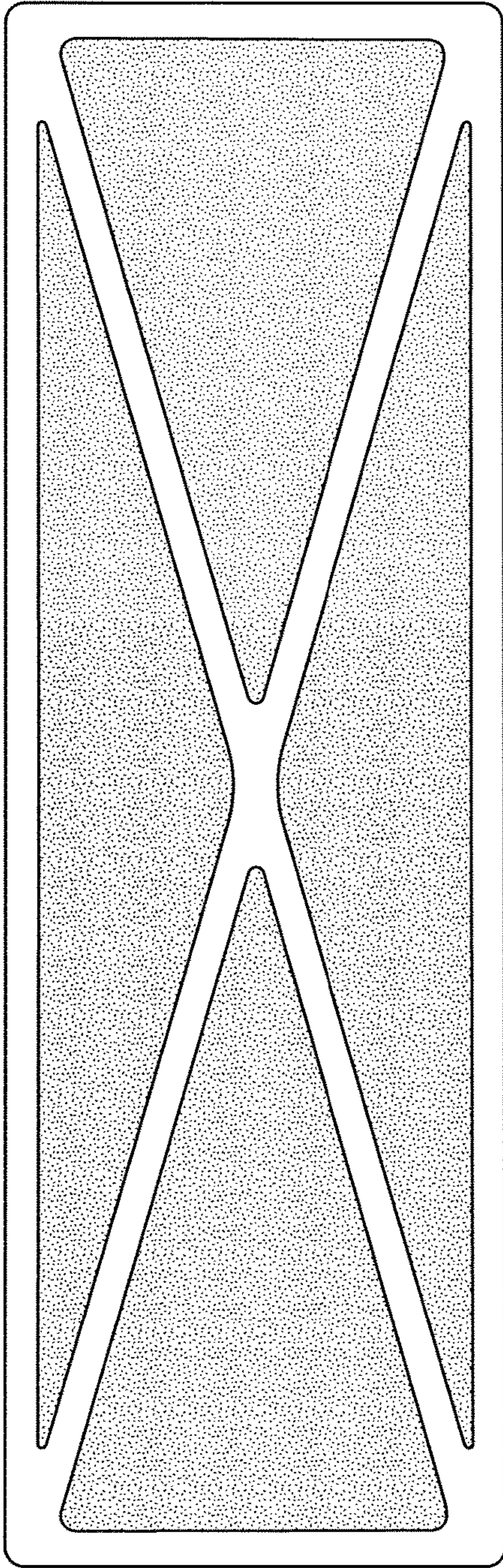


Fig. 2

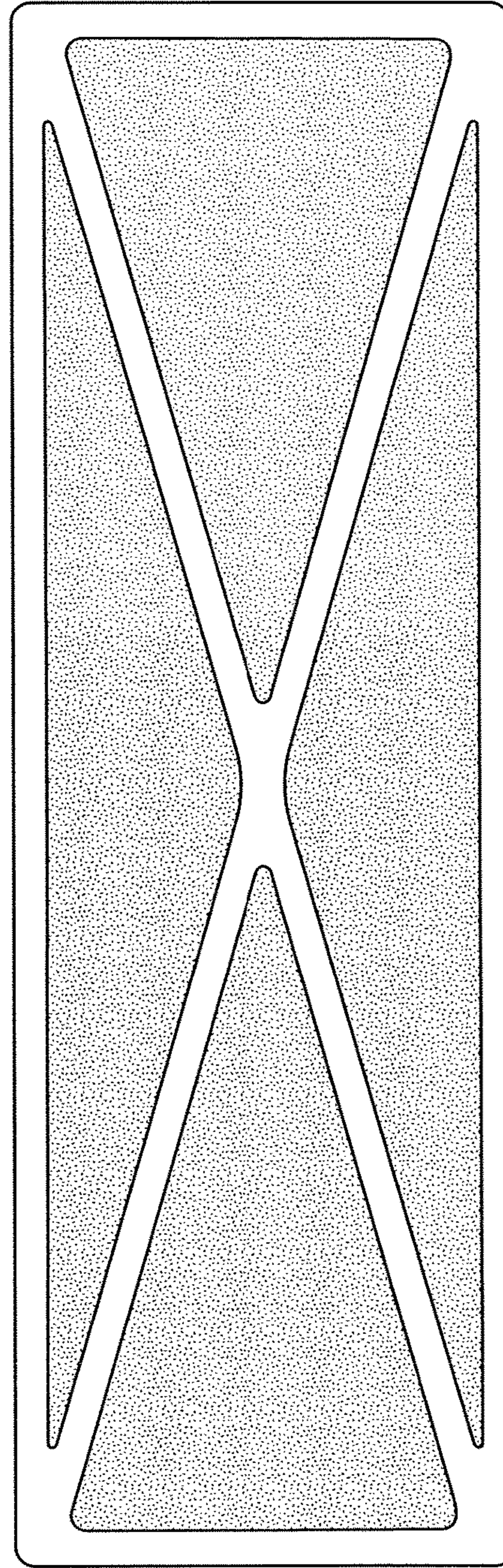


Fig. 3





Fig. 4



Fig. 5

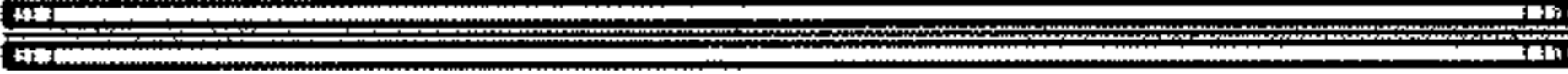


Fig. 6

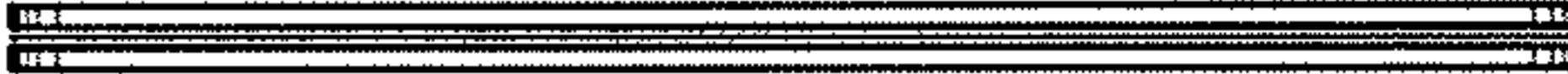


Fig. 7

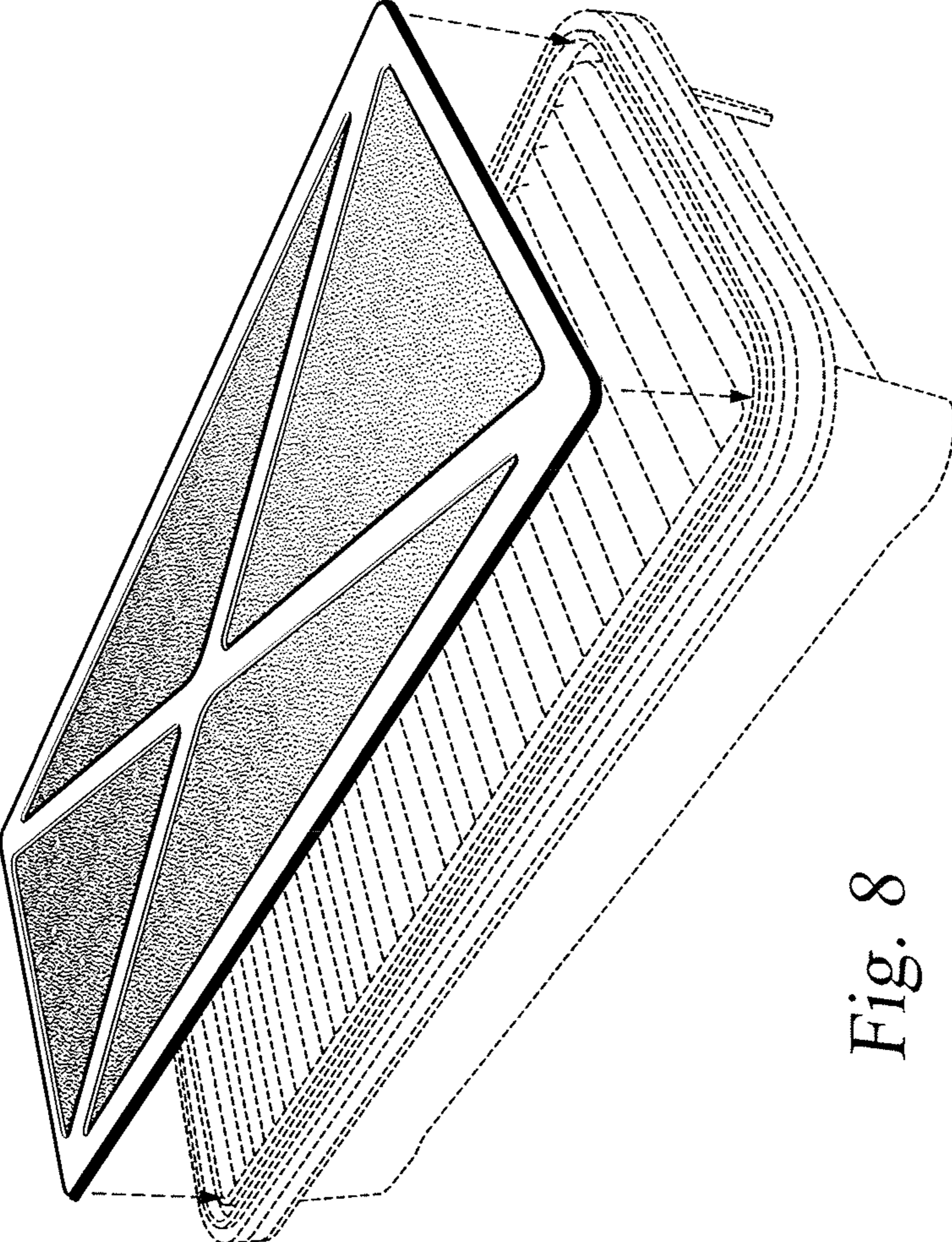


Fig. 8