

US00D966479S

(12) **United States Design Patent** (10) **Patent No.:** **US D966,479 S**
Sun et al. (45) **Date of Patent:** **** Oct. 11, 2022**

(54) **LIQUID DISPENSER**
(71) Applicant: **Gemmytec (shanghai) Co., LTD.**,
Shanghai (CN)
(72) Inventors: **Nan Sun**, Shanghai (CN); **Zhiqiang Yang**, Shanghai (CN)
(73) Assignee: **GEMMYTEC (SHANGHAI) CO., LTD.**, Shanghai (CN)

D552,714 S * 10/2007 Lu D19/174
D662,578 S * 6/2012 Blanking D23/366
D677,774 S * 3/2013 Postma D23/360
D689,999 S * 9/2013 Viala D23/366
D705,918 S * 5/2014 Robinson D23/360
D725,749 S * 3/2015 Mezzalira D23/259
D807,997 S * 1/2018 Seo D23/364
D820,682 S * 6/2018 Morgan D9/529
D827,117 S * 8/2018 Rigbi D23/360
D837,933 S * 1/2019 Carroll D23/213
D843,052 S * 3/2019 Powell D27/163

(Continued)

(**) Term: **15 Years**

(21) Appl. No.: **29/774,220**
(22) Filed: **Mar. 15, 2021**

(30) **Foreign Application Priority Data**

Sep. 16, 2020 (CN) 202030550086.1

(51) **LOC (13) Cl.** **23-01**

(52) **U.S. Cl.**
USPC **D23/360**

(58) **Field of Classification Search**
USPC D23/213, 332-336, 342, 351-352,
D23/355-366, 369, 370
CPC A62B 21/00; B01D 46/0002; B01D 46/10;
F02M 35/04; F24F 13/20
See application file for complete search history.

(56) **References Cited**

U.S. PATENT DOCUMENTS

D248,041 S * 5/1978 Persson D23/226
D261,547 S * 10/1981 Parke D23/223
D372,072 S * 7/1996 Hutcherson D23/223
D391,349 S * 2/1998 Chih D23/229
D414,244 S * 9/1999 Hui-Chen D23/213
D415,554 S * 10/1999 Hui-Chen D23/213
6,449,975 B1 * 9/2002 Moreno B60H 3/0007
62/314
D535,721 S * 1/2007 Ford D23/213

OTHER PUBLICATIONS

Grand Parfums 6Pcs Empty 20ml Credit Card Sprayer Bottles, Jun. 2, 2016, amazon.com, May 20, 2022, URL: <https://www.amazon.com/Elegant-Grand-Parfums-Bottles-Atomizer/dp/B01EX6O2YQ/> (Year: 2016).*

(Continued)

Primary Examiner — Keith J Wilson
(74) *Attorney, Agent, or Firm* — Ladas & Parry LLP

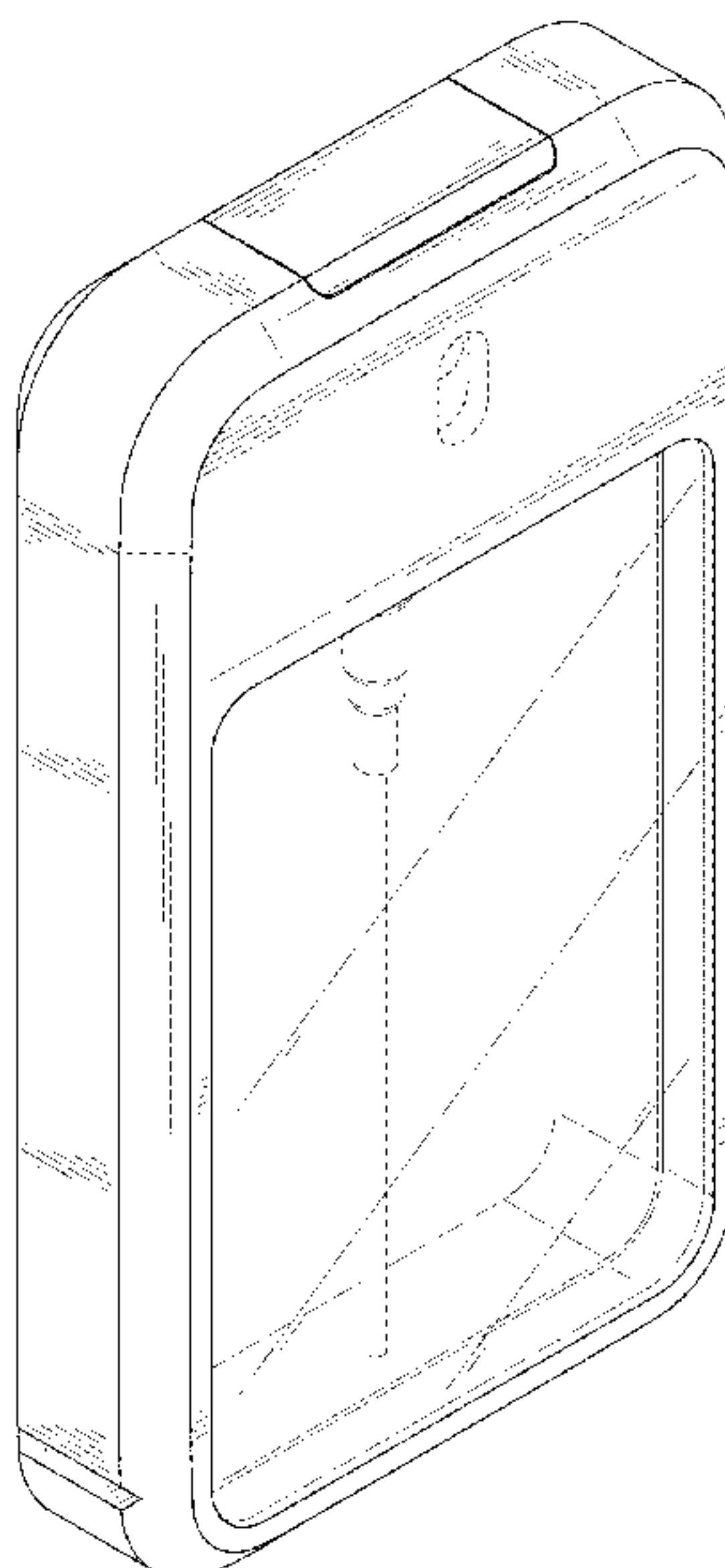
(57) **CLAIM**

The ornamental design for a liquid dispenser, as shown and described.

DESCRIPTION

FIG. 1 is a side perspective view of the new design of a liquid dispenser, showing a microphone in a retracted state; FIG. 2 is another side perspective view thereof; FIG. 3 is a front elevation view thereof; FIG. 4 is a rear elevation view thereof; FIG. 5 is a left side view thereof; FIG. 6 is a right side view thereof; FIG. 7 is a top view thereof; and, FIG. 8 is a bottom view thereof. The broken (dashed) lines show portions of the liquid dispenser that form no part of the claimed design.

1 Claim, 8 Drawing Sheets



(56)

References Cited

U.S. PATENT DOCUMENTS

2005/0064917 A1* 3/2005 Peng H04M 1/021
455/575.1
2010/0140371 A1* 6/2010 Zuo H04M 1/21
239/34
2014/0239095 A1* 8/2014 Short B05B 1/14
239/404
2014/0319246 A1* 10/2014 Lehmann B05B 1/14
239/437

OTHER PUBLICATIONS

RAYNAG 35ml Cardcase-like Slim Perfume Spray Bottles, Sep. 17, 2020, amazon.ca, May 20, 2022, URL: <https://www.amazon.ca/RAYNAG-Cardcase-like-Refillable-Moisturizing-Containers/dp/B08JCV26TV> (Year: 2020).*

* cited by examiner

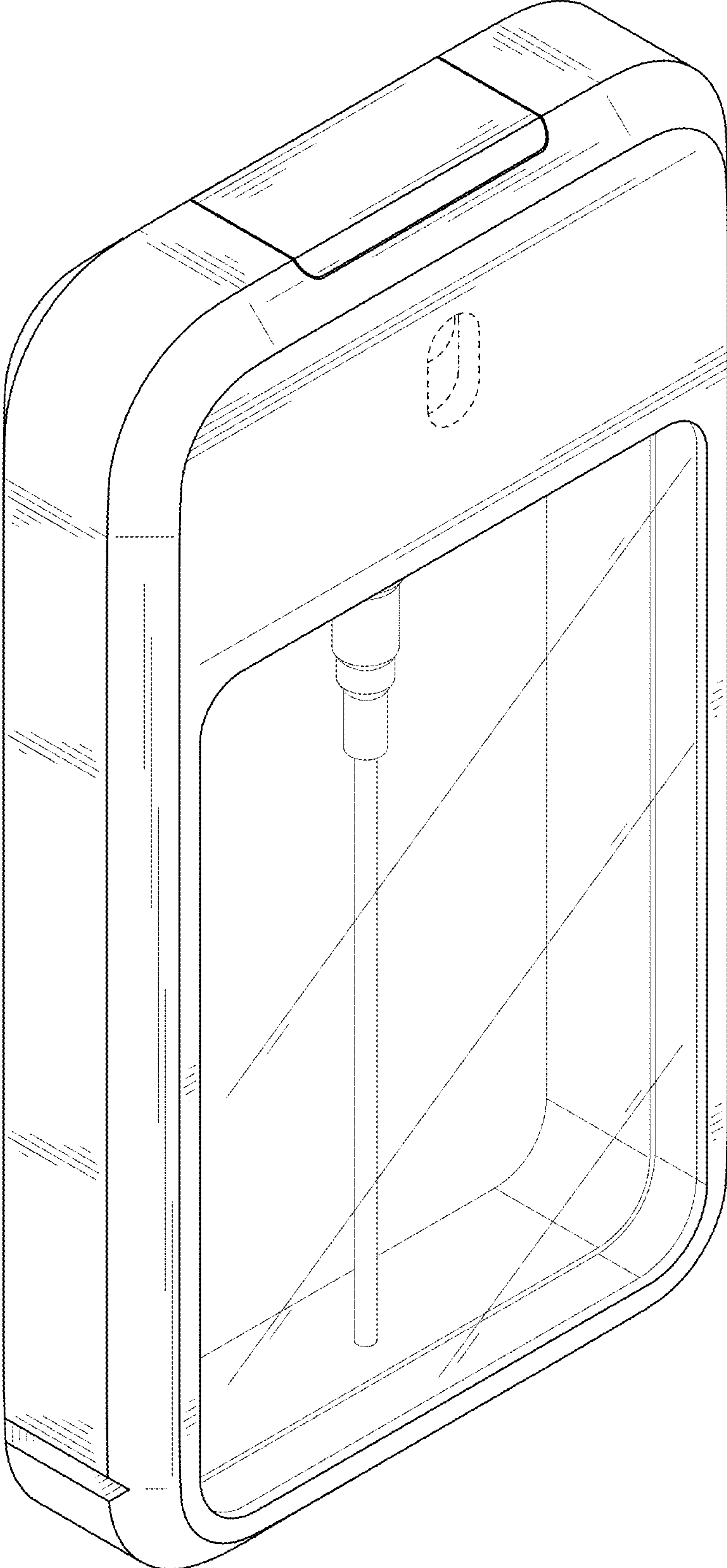


FIG. 1

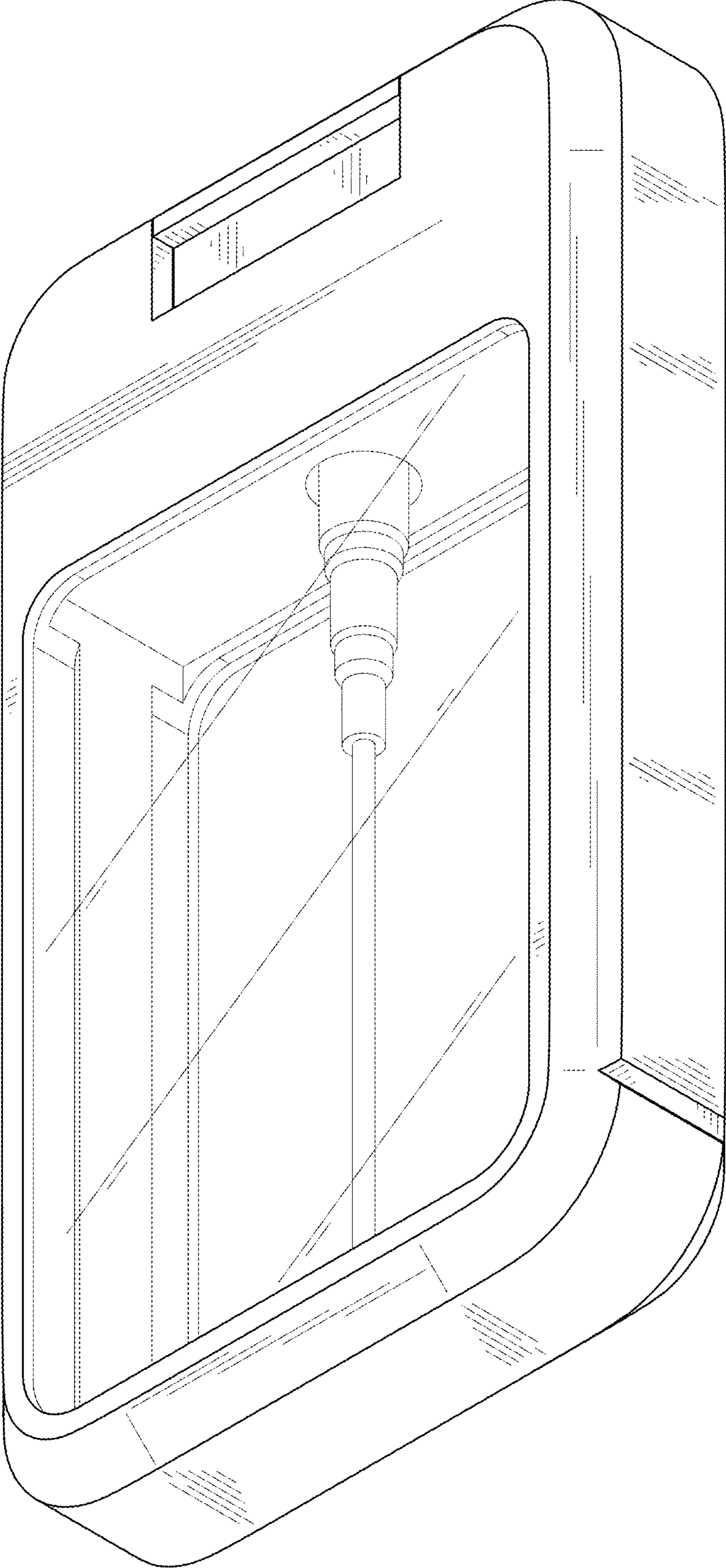


FIG. 2

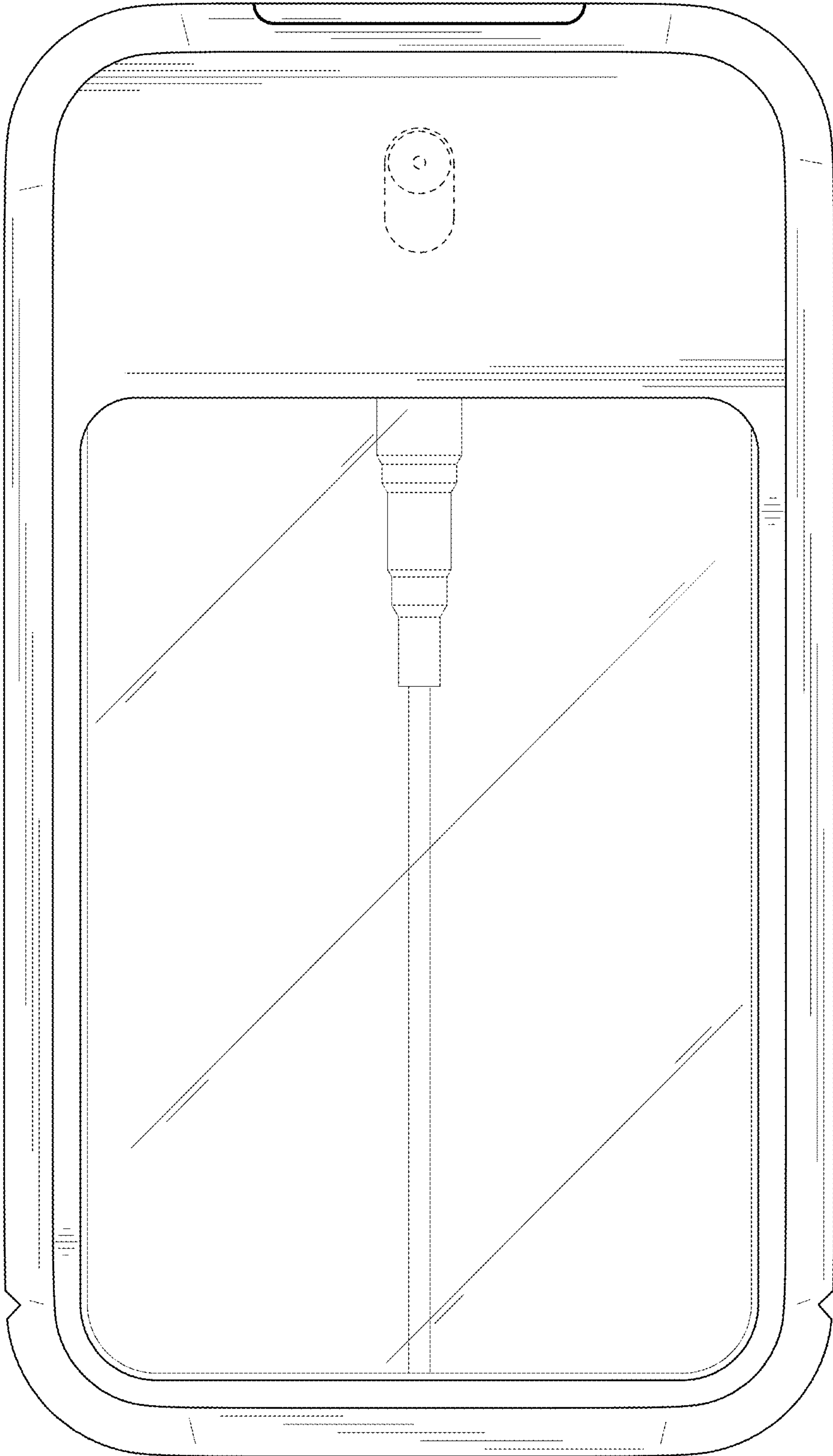


FIG. 3

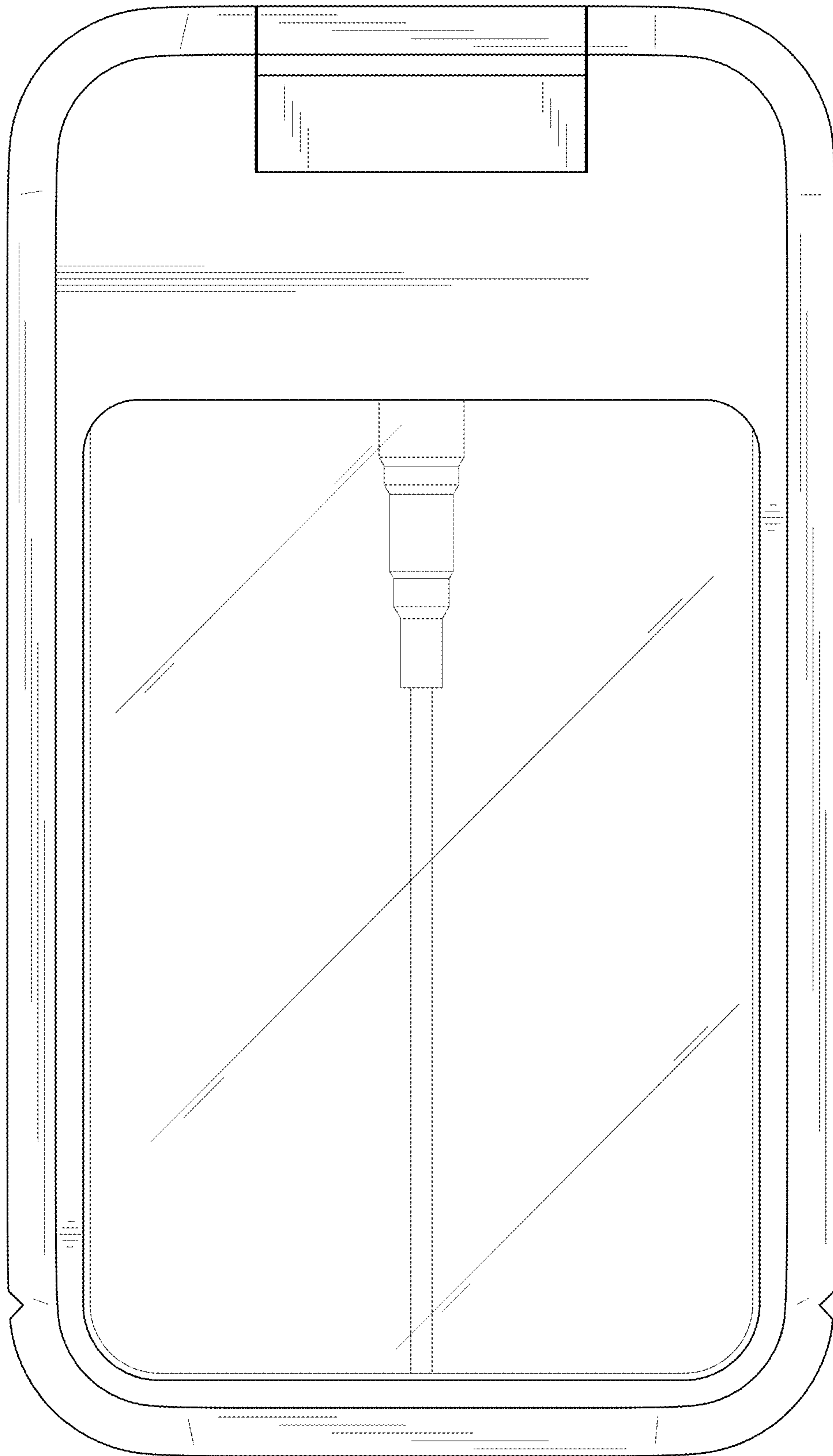


FIG. 4

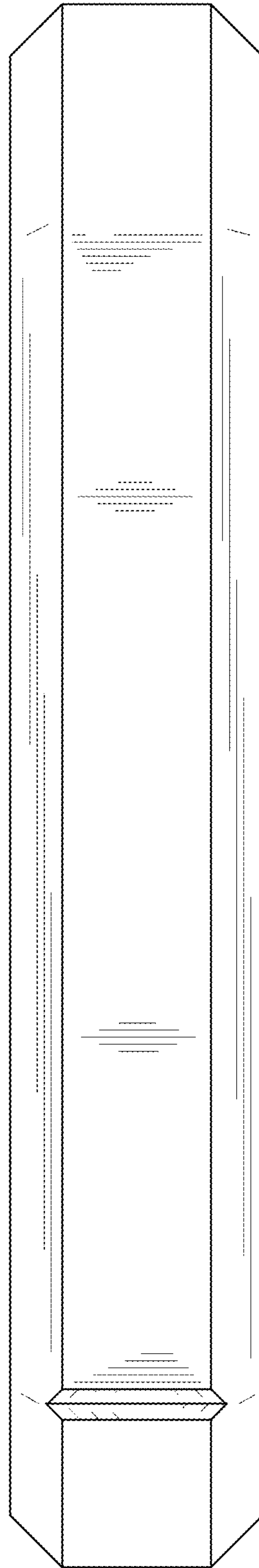


FIG. 5

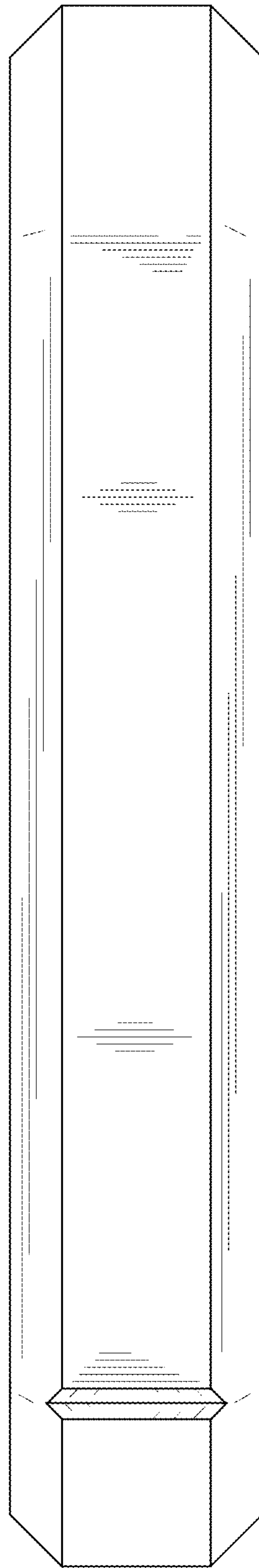


FIG. 6

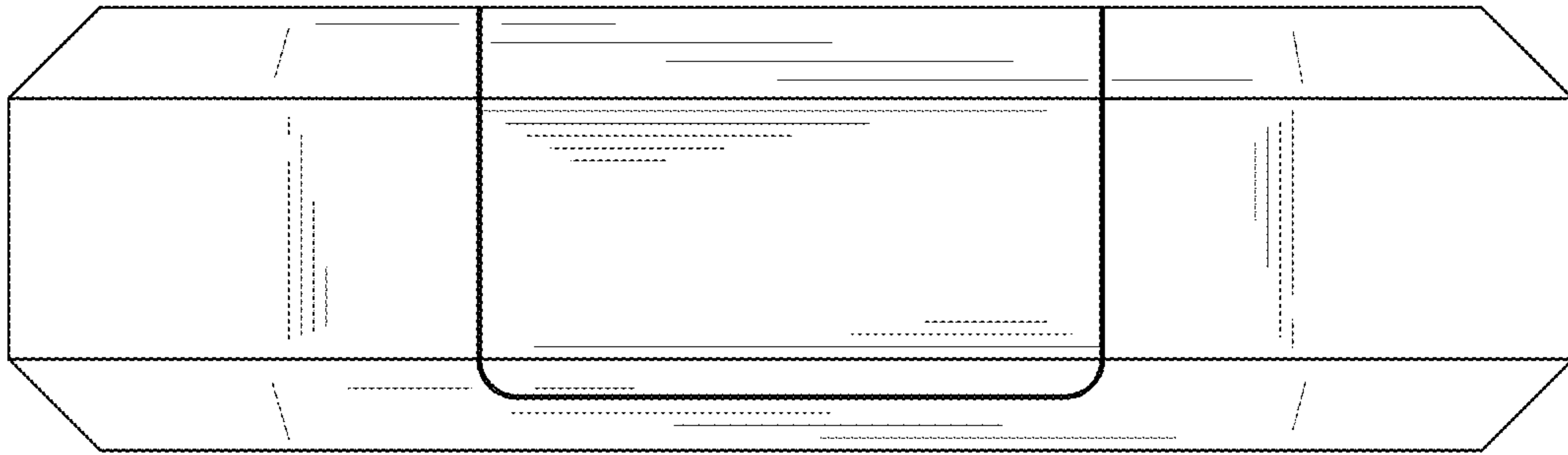


FIG. 7

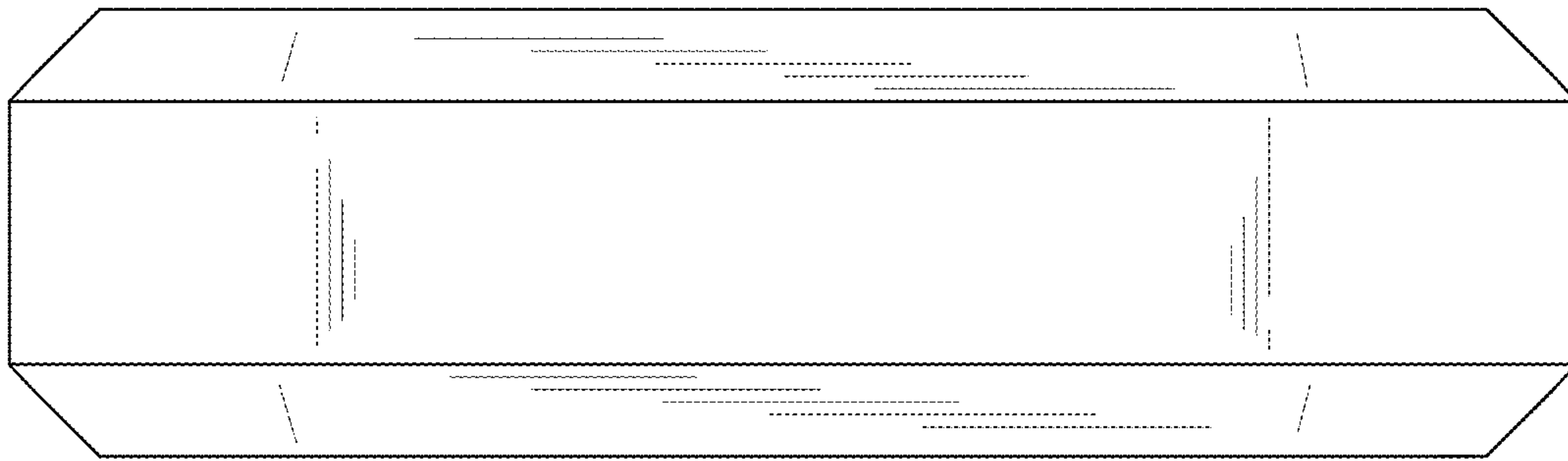


FIG. 8