



US00D966477S

(12) **United States Design Patent**
Hayashi

(10) **Patent No.:** **US D966,477 S**

(45) **Date of Patent:** **** Oct. 11, 2022**

(54) **AIR CONDITIONER**

(71) Applicant: **Hiroki Hayashi**, Osaka (JP)

(72) Inventor: **Hiroki Hayashi**, Osaka (JP)

(73) Assignee: **DAIKIN INDUSTRIES, LTD.**, Osaka (JP)

(**) Term: **15 Years**

(21) Appl. No.: **29/753,840**

(22) Filed: **Oct. 2, 2020**

(30) **Foreign Application Priority Data**

Apr. 27, 2020 (JP) 2020-008545 D

(51) **LOC (13) Cl.** **23-04**

(52) **U.S. Cl.**
USPC **D23/351**

(58) **Field of Classification Search**
USPC D23/314, 332, 333, 334, 335, 341, 325,
D23/328, 351, 353-358
CPC F24F 1/00; F24F 1/0007; F24F 1/02; F24F
1/028; F24F 1/0057; F24F 1/0011; F24F
3/044; F24F 3/048; F24F 3/16; F24F 3/14
See application file for complete search history.

(56) **References Cited**

U.S. PATENT DOCUMENTS

D632,769 S *	2/2011	Seki	D23/351
D681,180 S *	4/2013	Chouji	D23/351
D689,179 S *	9/2013	Nishiguchi	D23/351
D700,690 S *	3/2014	Chouji	D23/351
D700,958 S *	3/2014	Ikegaya	D23/351
D708,725 S *	7/2014	Niki	D23/351
D720,058 S *	12/2014	Niki	D23/351
D720,059 S *	12/2014	Niki	D23/351
D720,060 S *	12/2014	Murai	D23/351
D720,062 S *	12/2014	Guojie	D23/351
D760,882 S *	7/2016	Park	D23/351
D849,909 S *	5/2019	Arai	D23/351

D849,910 S *	5/2019	Arai	D23/351
D849,911 S *	5/2019	Arai	D23/351
D852,341 S *	6/2019	Nakamori	D23/351
D852,342 S *	6/2019	Kosuge	D23/351
D852,343 S *	6/2019	Kosuge	D23/351
D886,265 S *	6/2020	Yamamoto	D23/351

(Continued)

FOREIGN PATENT DOCUMENTS

EM 008174593-0003 * 9/2020

OTHER PUBLICATIONS

40MAQ High Wall Ductless System Sizes 09 to 36—Owners Manual, available on shareddocs.com, published Oct. 2017 [online] [site visited on Jul. 25, 2022], Internet URL; <https://www.shareddocs.com/hvac/docs/1009/Public/0A/OM-40MAQ-06.pdf>. (Year: 2017).*

Primary Examiner — Amy C Wierenga

Assistant Examiner — Andrea Marie McKay

(74) *Attorney, Agent, or Firm* — Manabu Kanesaka

(57) **CLAIM**

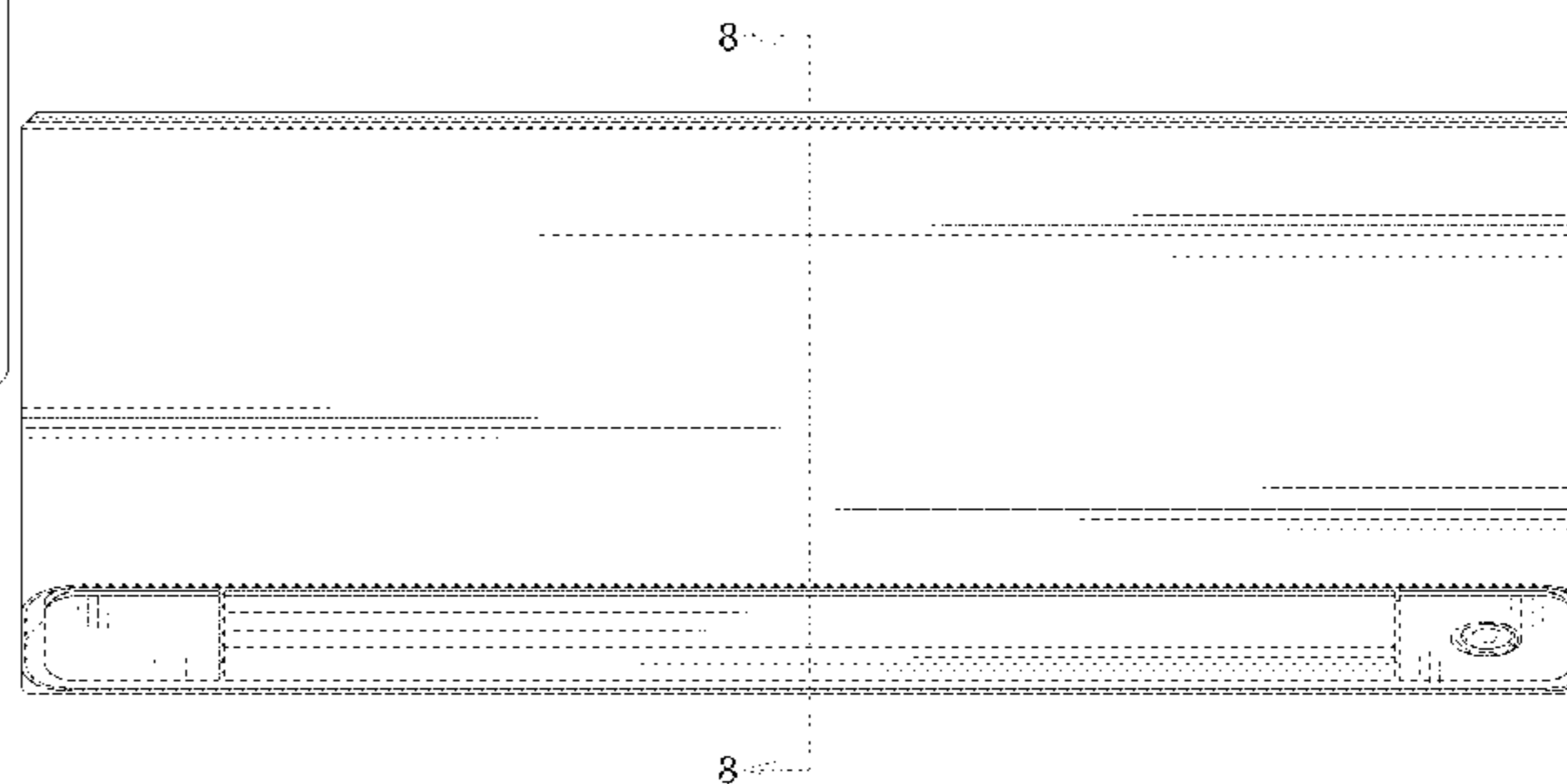
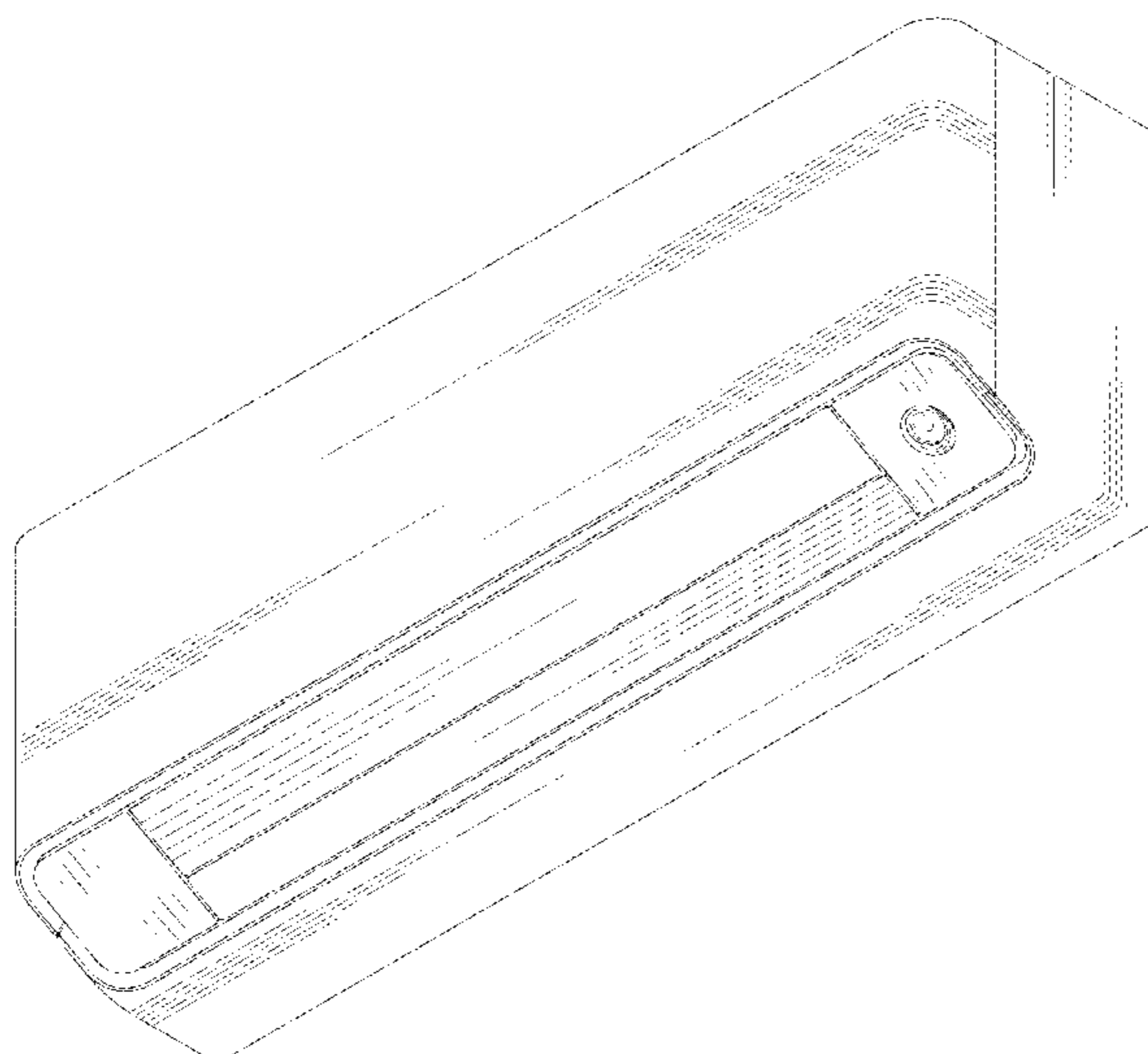
The ornamental design for an air conditioner, as shown and described.

DESCRIPTION

FIG. 1 is a front bottom perspective view of an air conditioner showing my new design;
FIG. 2 is a front view thereof;
FIG. 3 is a rear view thereof;
FIG. 4 is a top plan view thereof;
FIG. 5 is a bottom view thereof;
FIG. 6 is a left side view thereof;
FIG. 7 is a right side view thereof; and,
FIG. 8 is a cross-sectional view thereof along the line 8-8 in FIG. 2.

The broken lines depict portions of the air conditioner that form no part of claimed design.

1 Claim, 5 Drawing Sheets



(56)

References Cited

U.S. PATENT DOCUMENTS

D957,601 S * 7/2022 Hamasaki D23/351
D957,602 S * 7/2022 Hamasaki D23/351

* cited by examiner

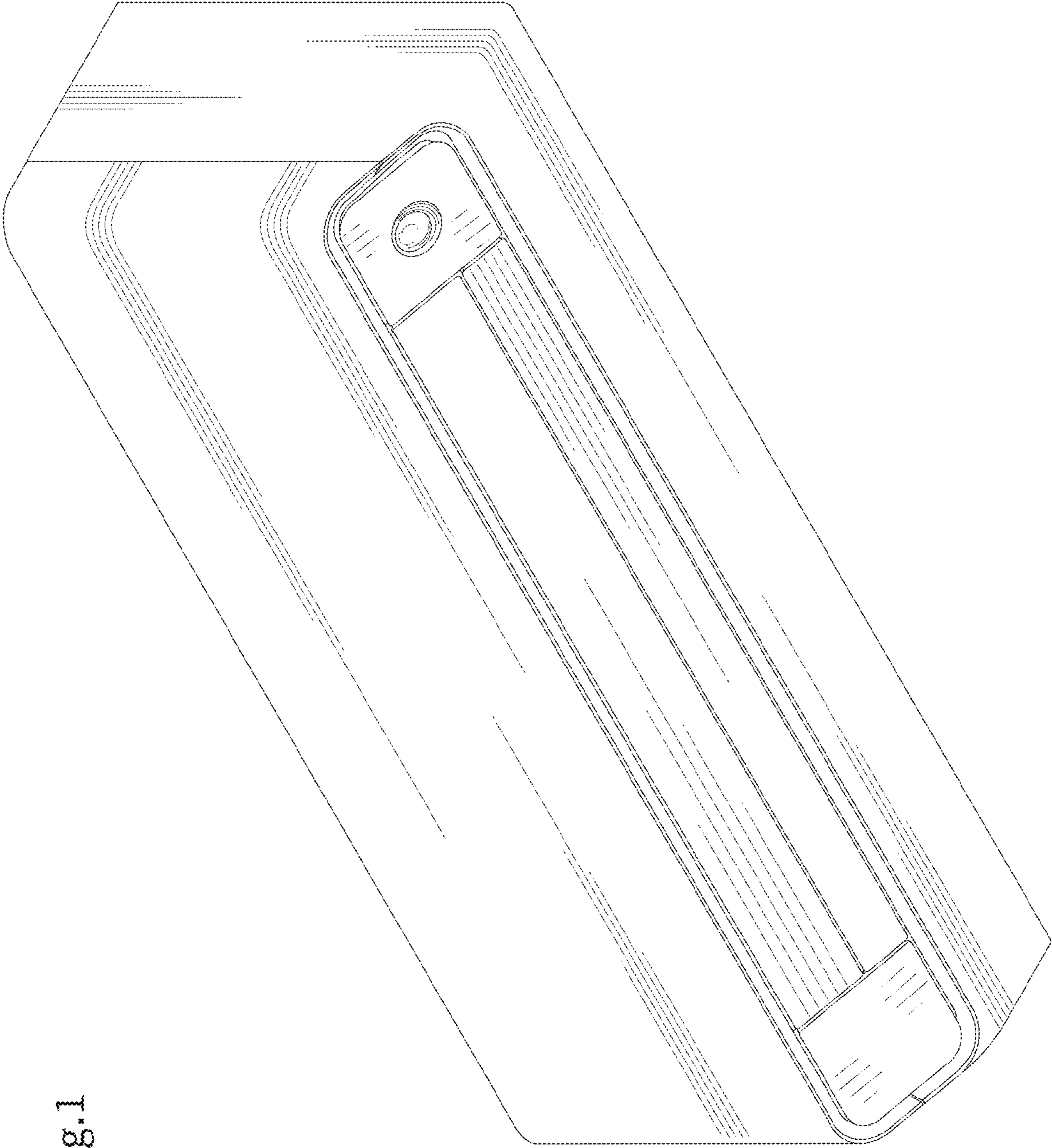
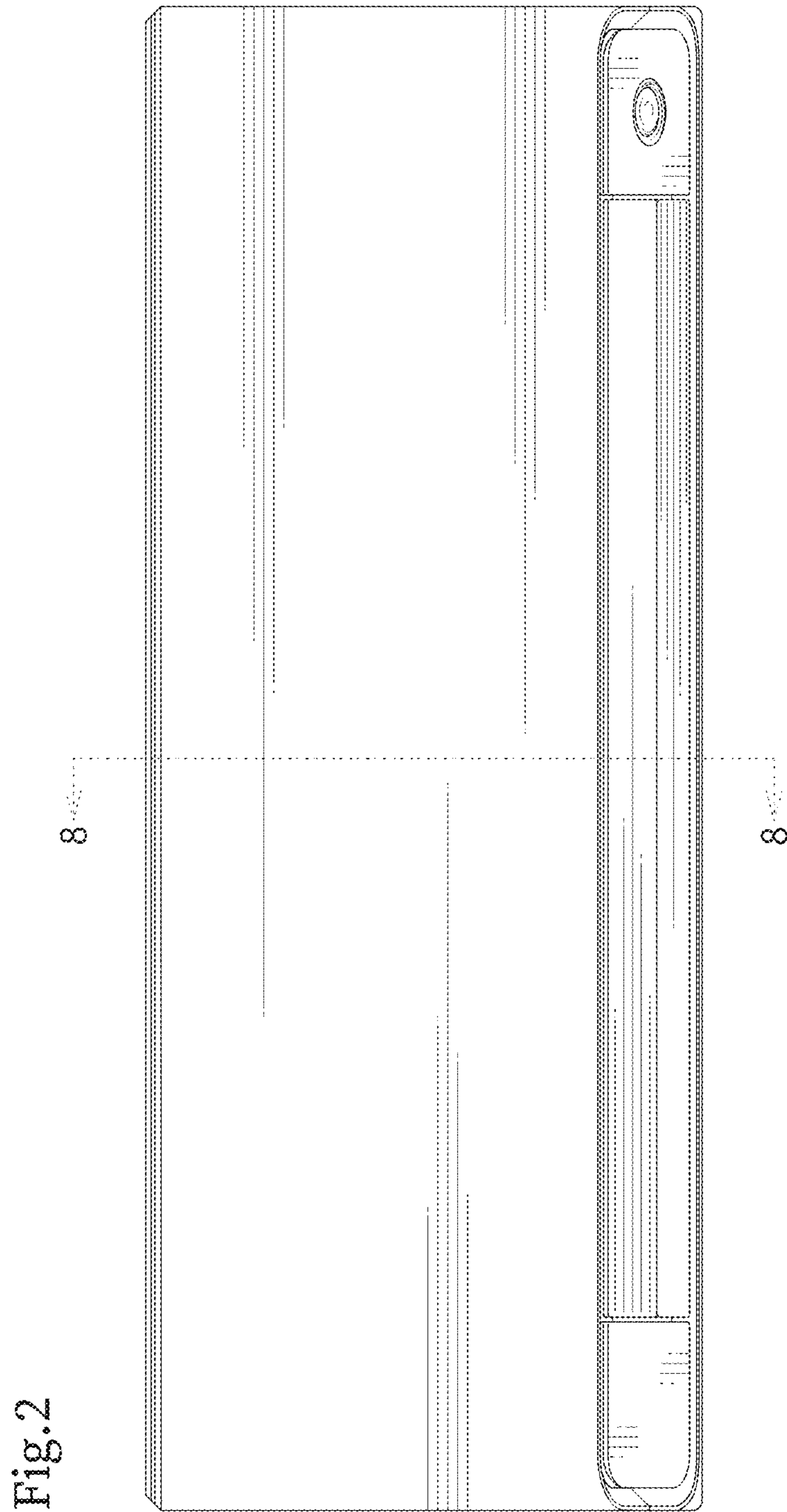


Fig.1



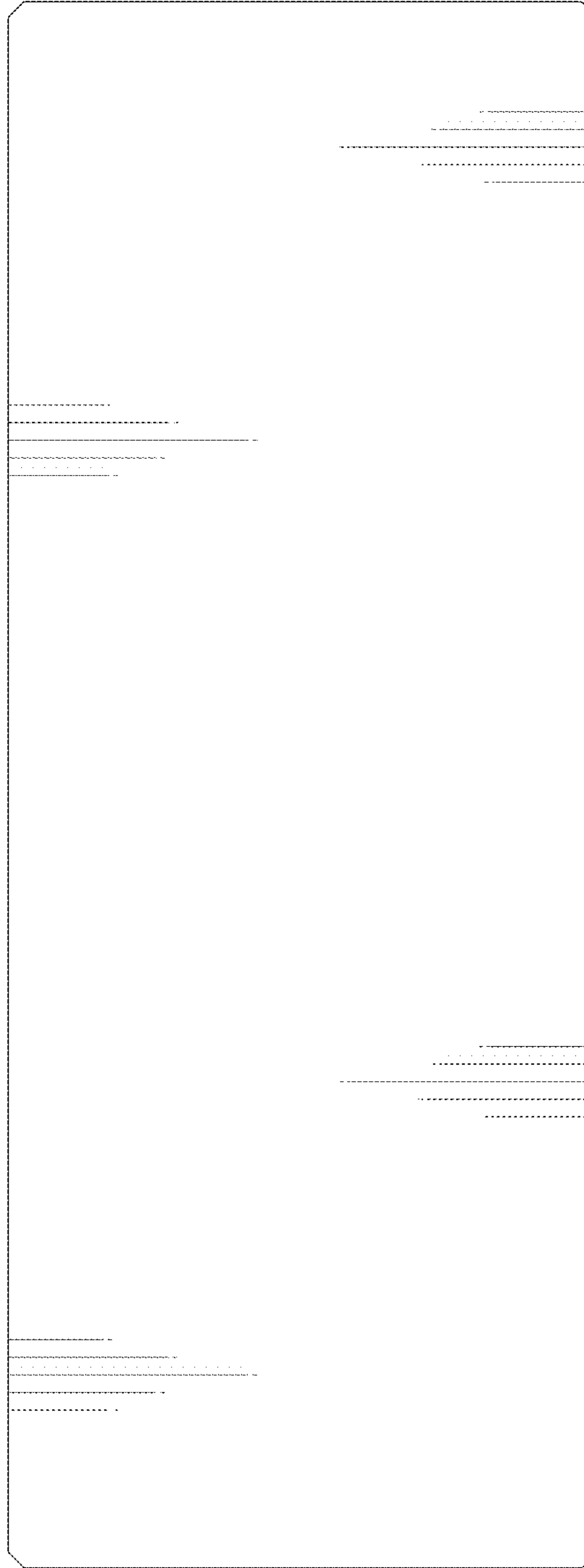


Fig. 3

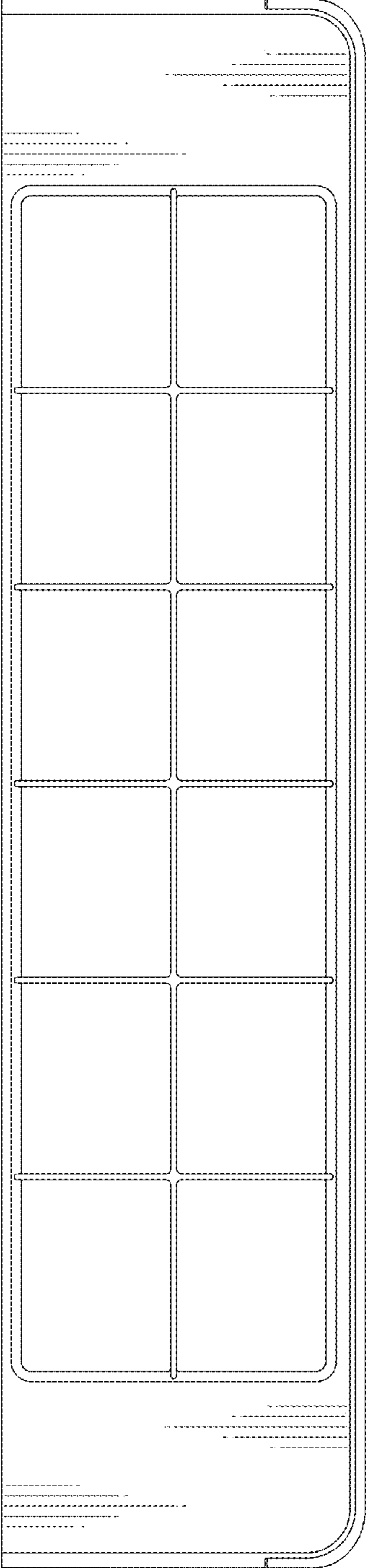


Fig. 4

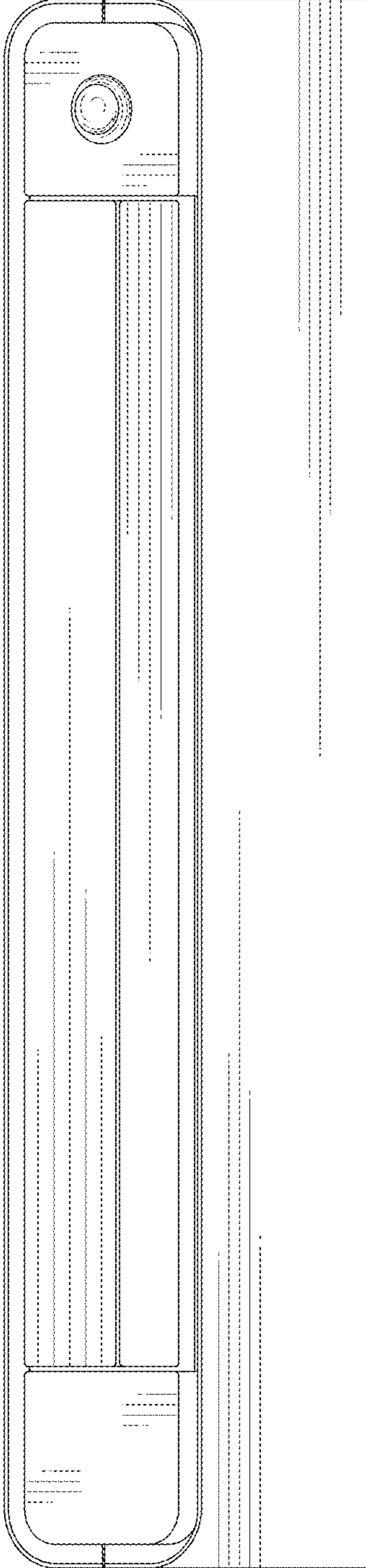


Fig. 5

Fig.8

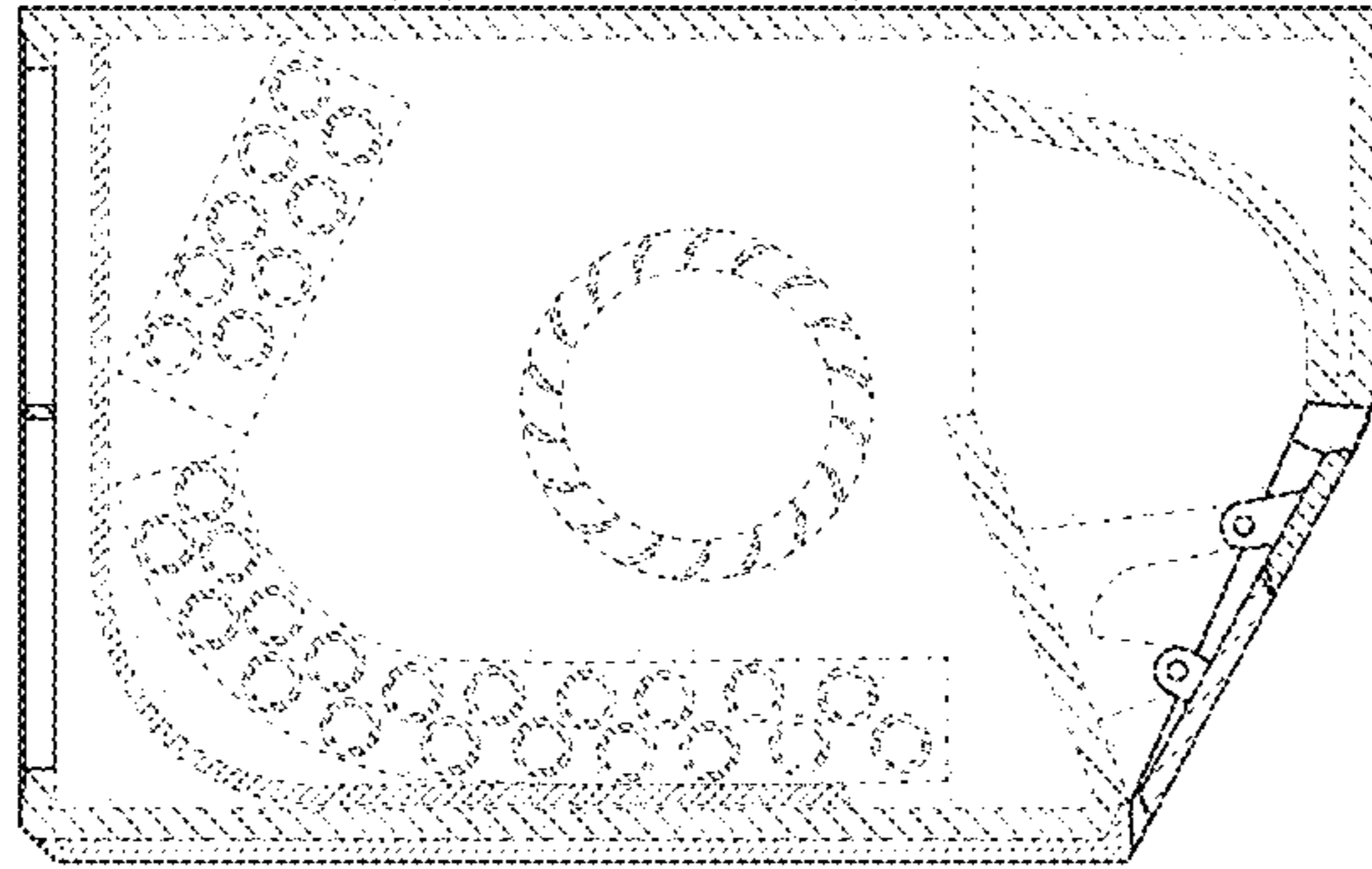


Fig.7

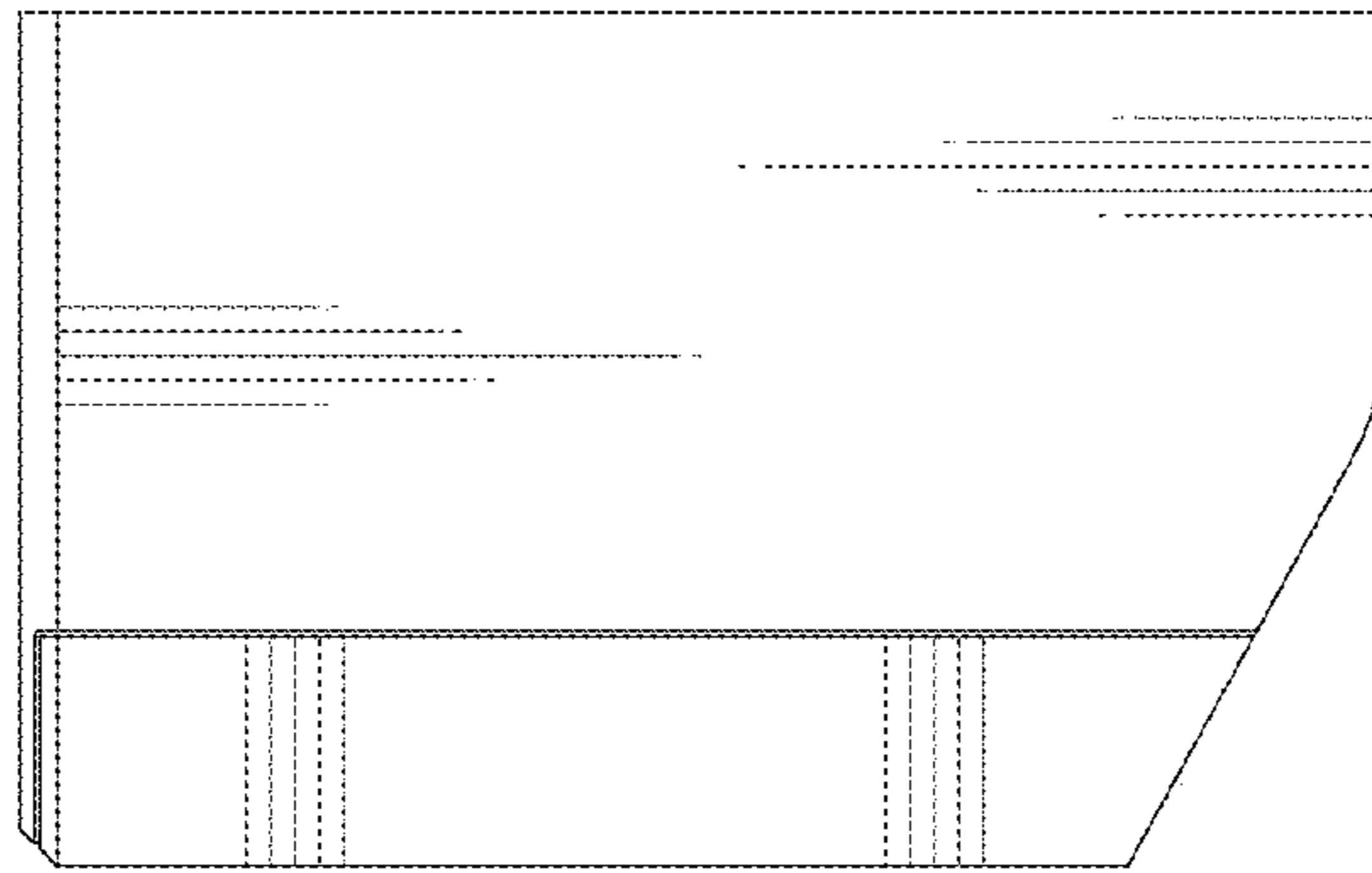


Fig.6

