

US00D966476S

(12) **United States Design Patent**  
**Wen**

(10) **Patent No.:** **US D966,476 S**  
(45) **Date of Patent:** **\*\* Oct. 11, 2022**

(54) **FIRE PIT**

(71) Applicant: **Hua Wen**, Xiamen (CN)

(72) Inventor: **Hua Wen**, Xiamen (CN)

(\*\*) Term: **15 Years**

(21) Appl. No.: **29/768,715**

(22) Filed: **Feb. 1, 2021**

(51) **LOC (13) Cl.** ..... **23-05**

(52) **U.S. Cl.**  
USPC ..... **D23/348**

(58) **Field of Classification Search**  
USPC ..... D23/314, 317, 332, 335, 336, 339, 342,  
D23/348, 350, 356, 370, 378, 381, 382,  
D23/383, 411, 417, 403, 343, 347  
CPC ..... F24B 1/181; F24B 1/1808; F24B 13/008;  
F24H 1/205; F24H 9/2021; F24H 1/40;  
F24H 3/0429

See application file for complete search history.

(56) **References Cited**

**U.S. PATENT DOCUMENTS**

D273,264 S *	4/1984	Elliston	.....	D7/332
D358,204 S *	5/1995	Ferrier	.....	D23/314
D394,779 S *	6/1998	Hilvitz	.....	D7/335
D481,256 S *	10/2003	Bossler	.....	D7/337
D540,451 S *	4/2007	Emalfarb	.....	D23/348
D633,995 S *	3/2011	Chiang	.....	D23/343
D724,714 S *	3/2015	Benson	.....	D23/332
D765,232 S *	8/2016	Horsfield	.....	D23/343
D774,172 S *	12/2016	Zemel	.....	D23/343
D790,677 S *	6/2017	Horsfield	.....	D23/343
D796,656 S *	9/2017	Skillman	.....	D23/343
D858,729 S *	9/2019	Scott	.....	D23/348
D914,172 S *	3/2021	Stoltzfus	.....	D23/336
D914,174 S *	3/2021	Smith	.....	D23/343
2019/0053666 A1 *	2/2019	Hofer	.....	A47J 37/0763

**FOREIGN PATENT DOCUMENTS**

GB 6137913 \* 5/2021

**OTHER PUBLICATIONS**

“Modeno York Fire Bowl”, [https://www.audaciahome.com/products/modeno-york-fire-bowl?currency=USD&variant=42578576146661&utm\\_medium=cpc&utm\\_source=google&utm\\_campaign=Google%20Shopping](https://www.audaciahome.com/products/modeno-york-fire-bowl?currency=USD&variant=42578576146661&utm_medium=cpc&utm_source=google&utm_campaign=Google%20Shopping), retrieved Jun. 24, 2022 (Year: 2022).\*

“Alien + roth 36-in W 50000-BTU Concrete Look Portable Composite Propane Gas Fire Pit Table”, <https://www.lowes.com/pd/allen-roth-Concrete-look-gas-fire-table-36-in-W-50000-BTU-Grey-Concrete-Look-Portable-Composite-Propane-Gas-Fire-Table/5005389807>, review date Feb. 26, 2021, retrieved Jun. 24, 2022. (Year: 2021).\*

\* cited by examiner

*Primary Examiner* — Amy C Wierenga

*Assistant Examiner* — Andrea Marie McKay

(57) **CLAIM**

The ornamental design for a fire pit, as shown and described.

**DESCRIPTION**

FIG. 1 is a top left front perspective view of a fire pit showing my new design;

FIG. 2 is a bottom right rear perspective view thereof;

FIG. 3 is a front elevational view thereof;

FIG. 4 is a rear elevational view thereof;

FIG. 5 is a left side elevational view thereof;

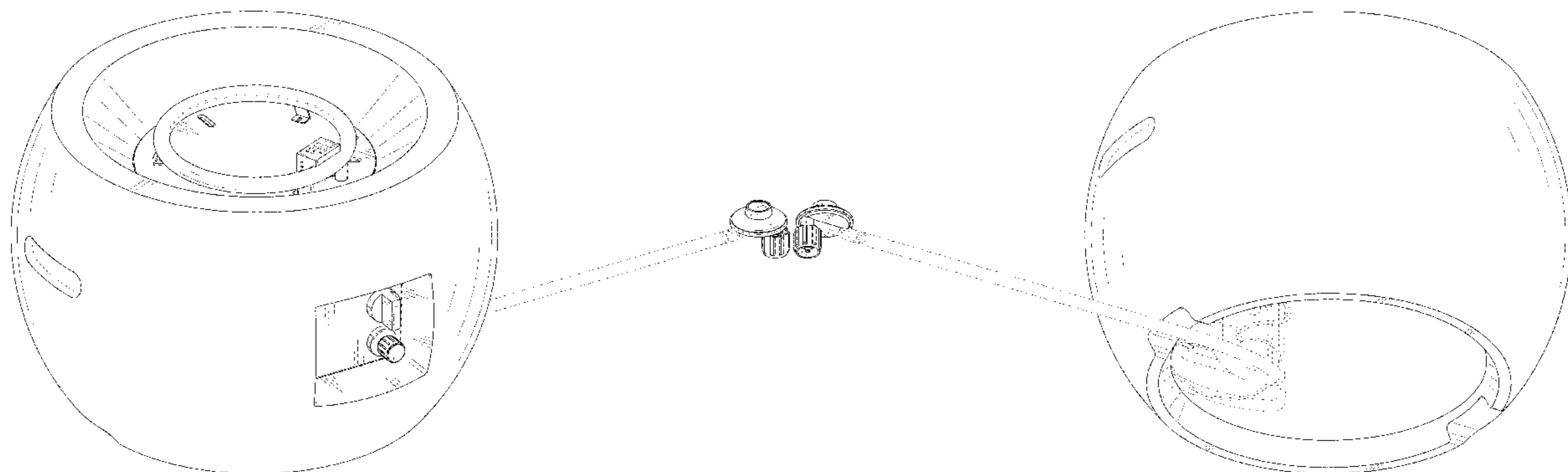
FIG. 6 is a right side elevational view thereof;

FIG. 7 is a top plan view thereof; and,

FIG. 8 is a bottom plan view thereof.

The broken lines in the drawings depict portions of the fire pit that form no part of the claimed design.

**1 Claim, 8 Drawing Sheets**



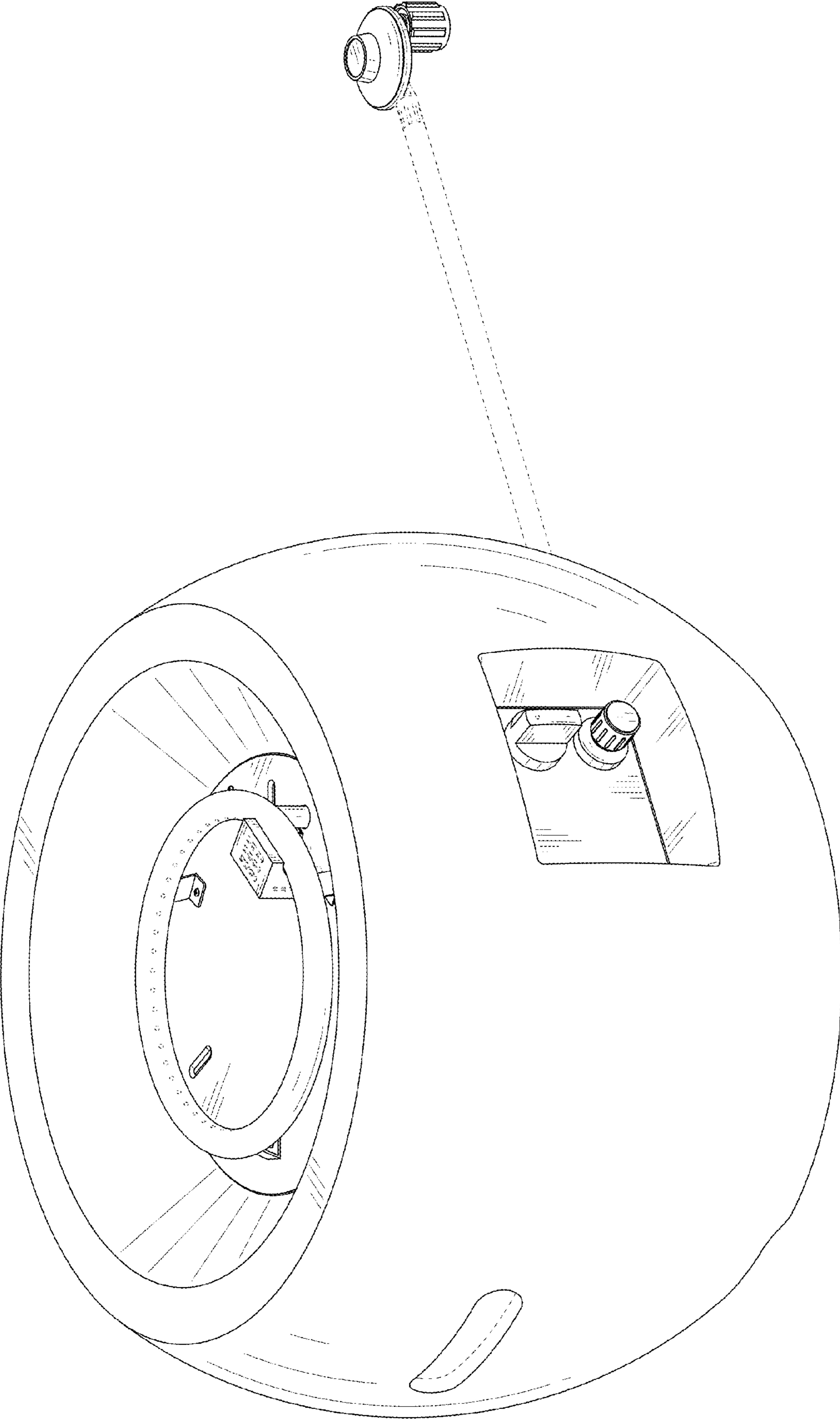


FIG. 1

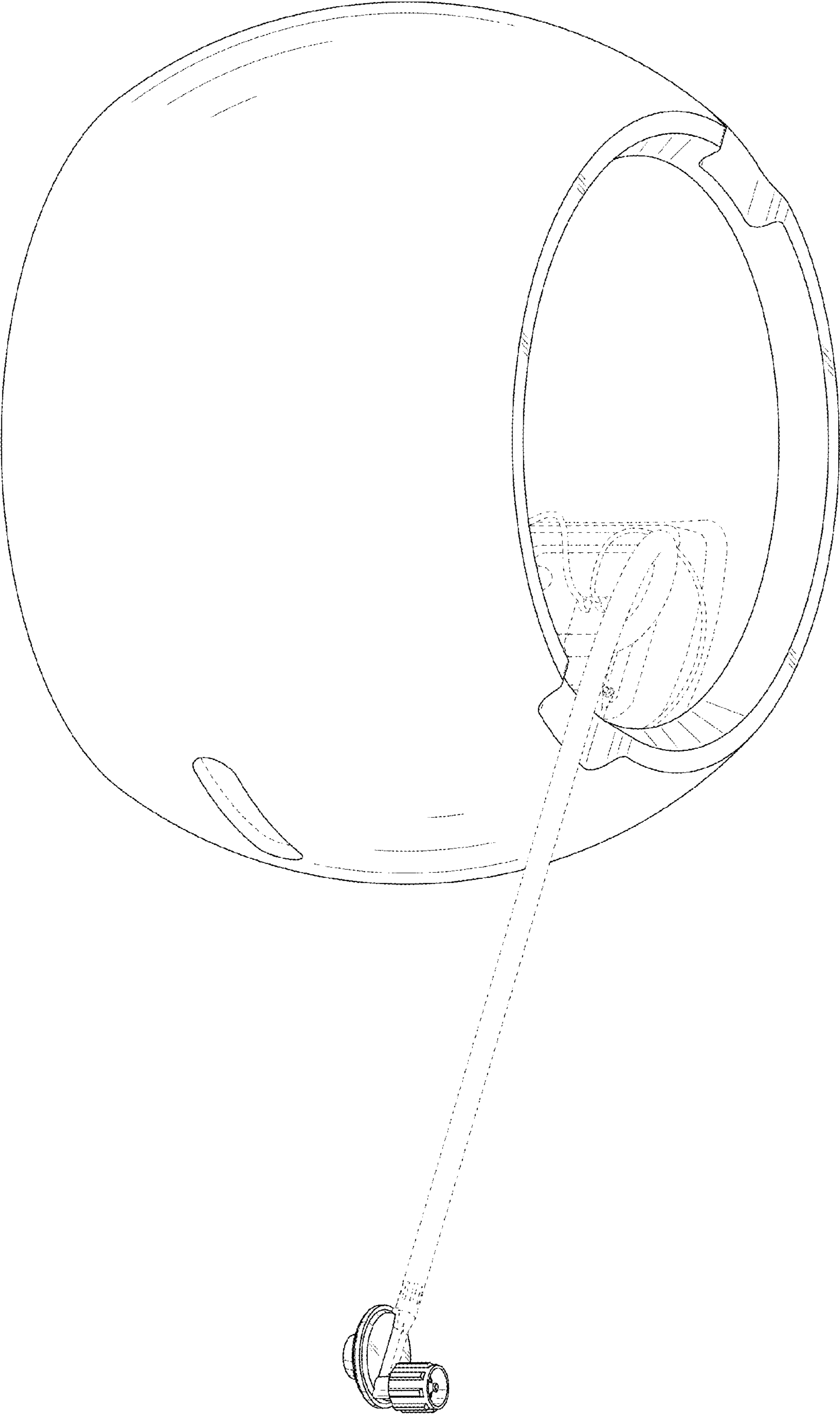


FIG. 2

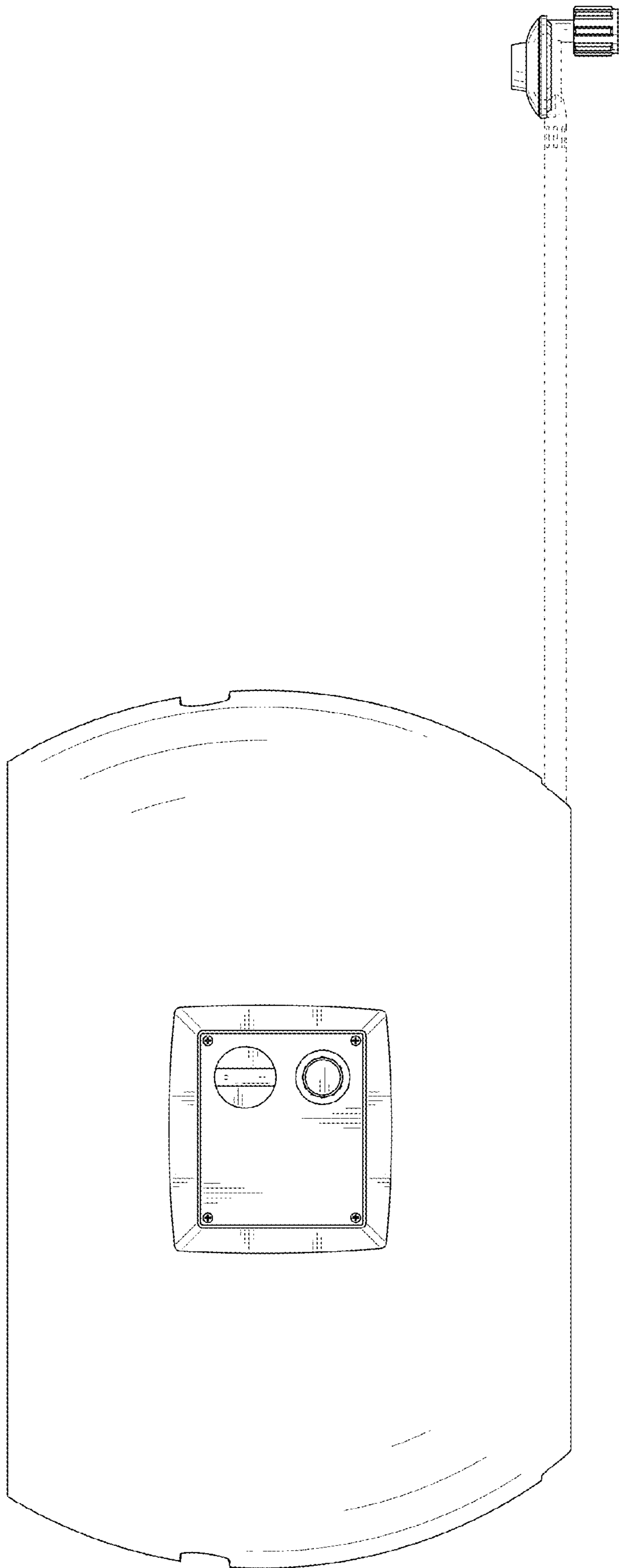


FIG. 3

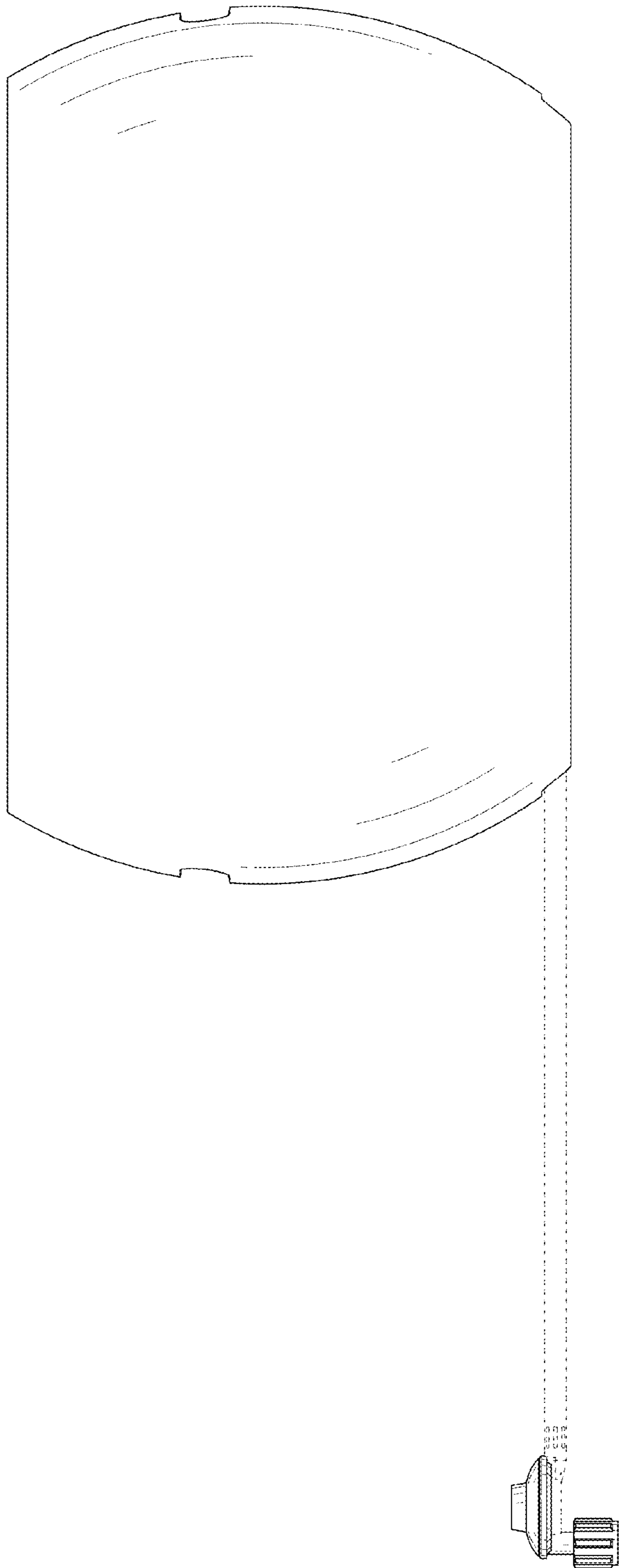


FIG. 4

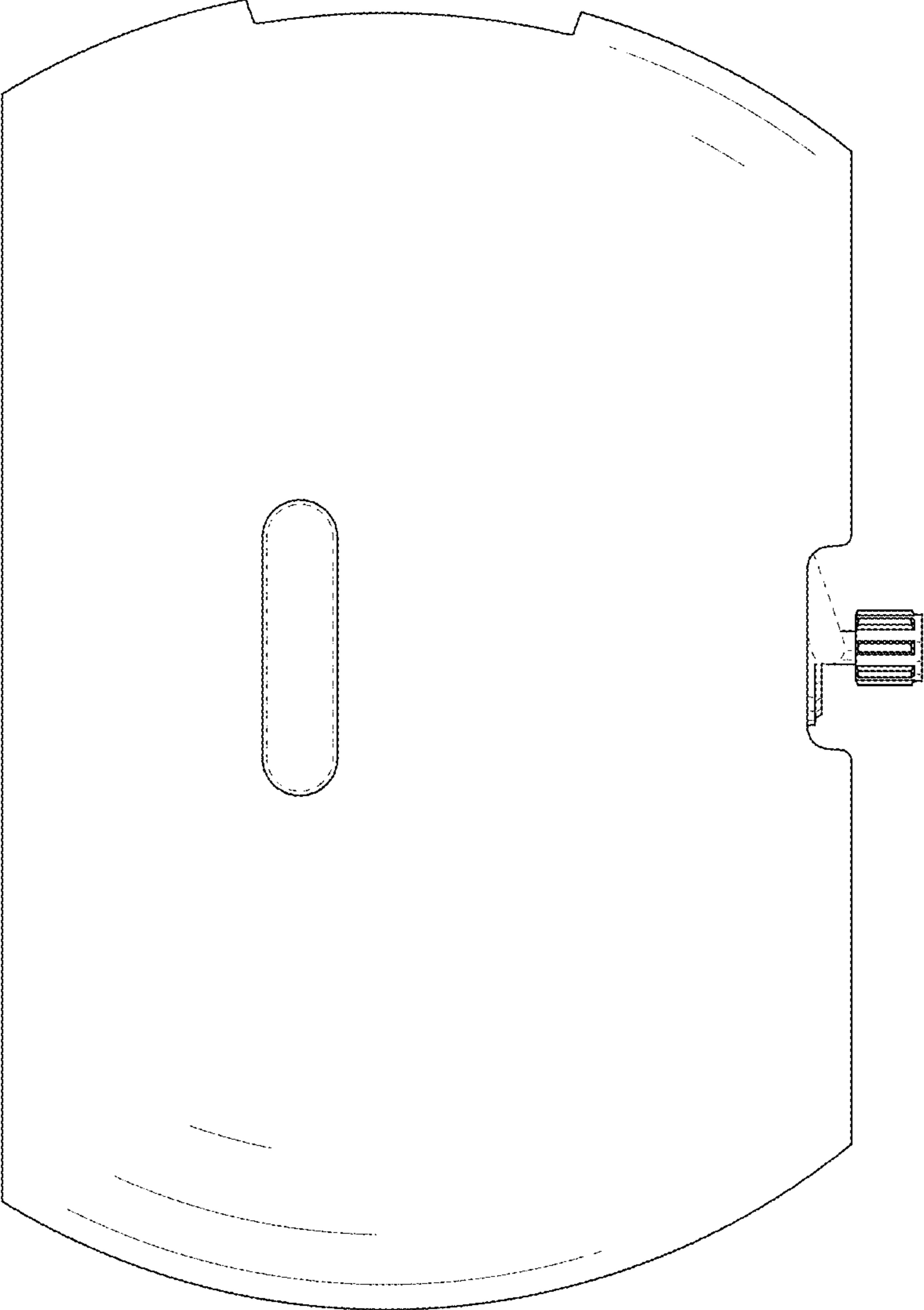


FIG. 5

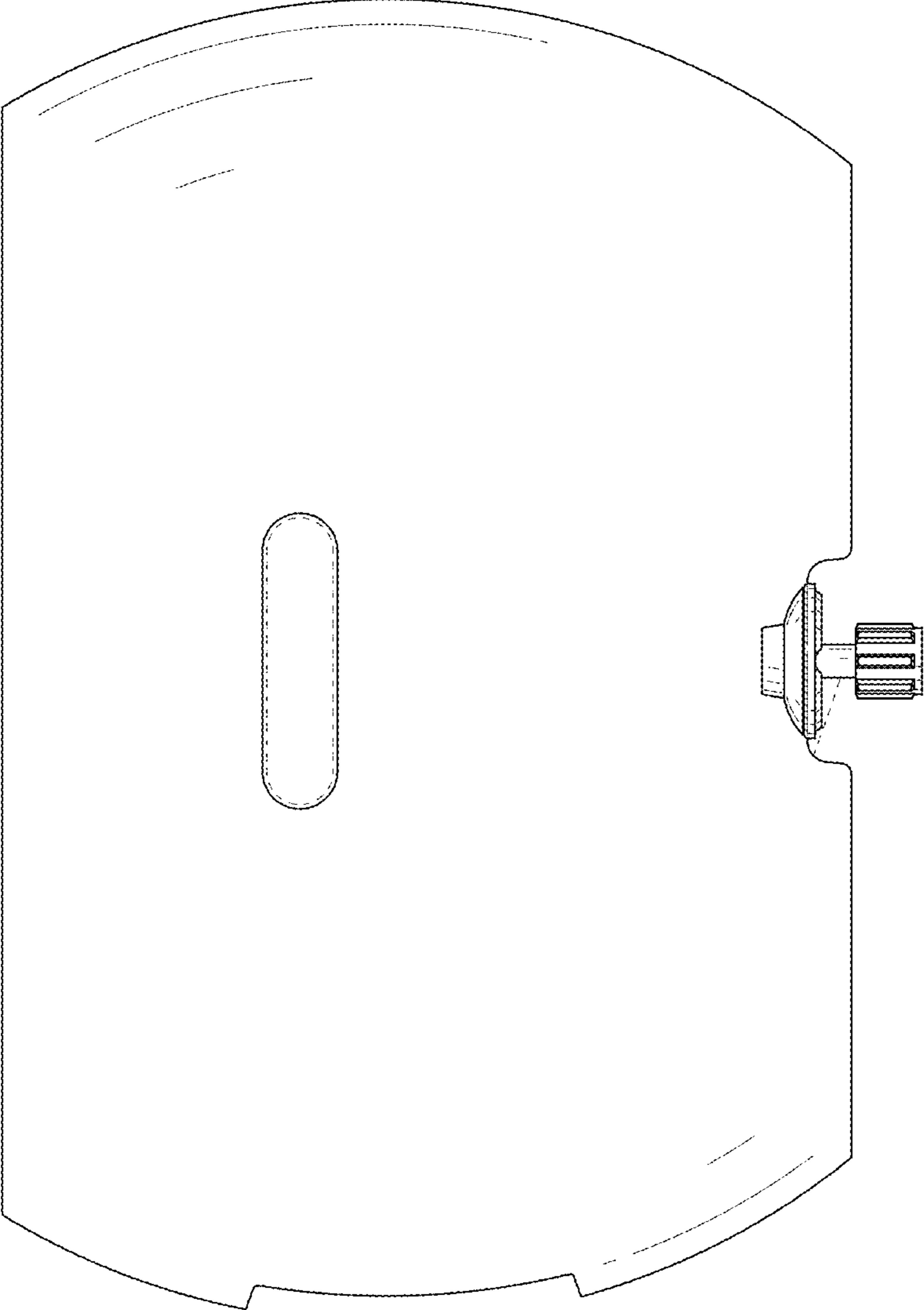


FIG. 6



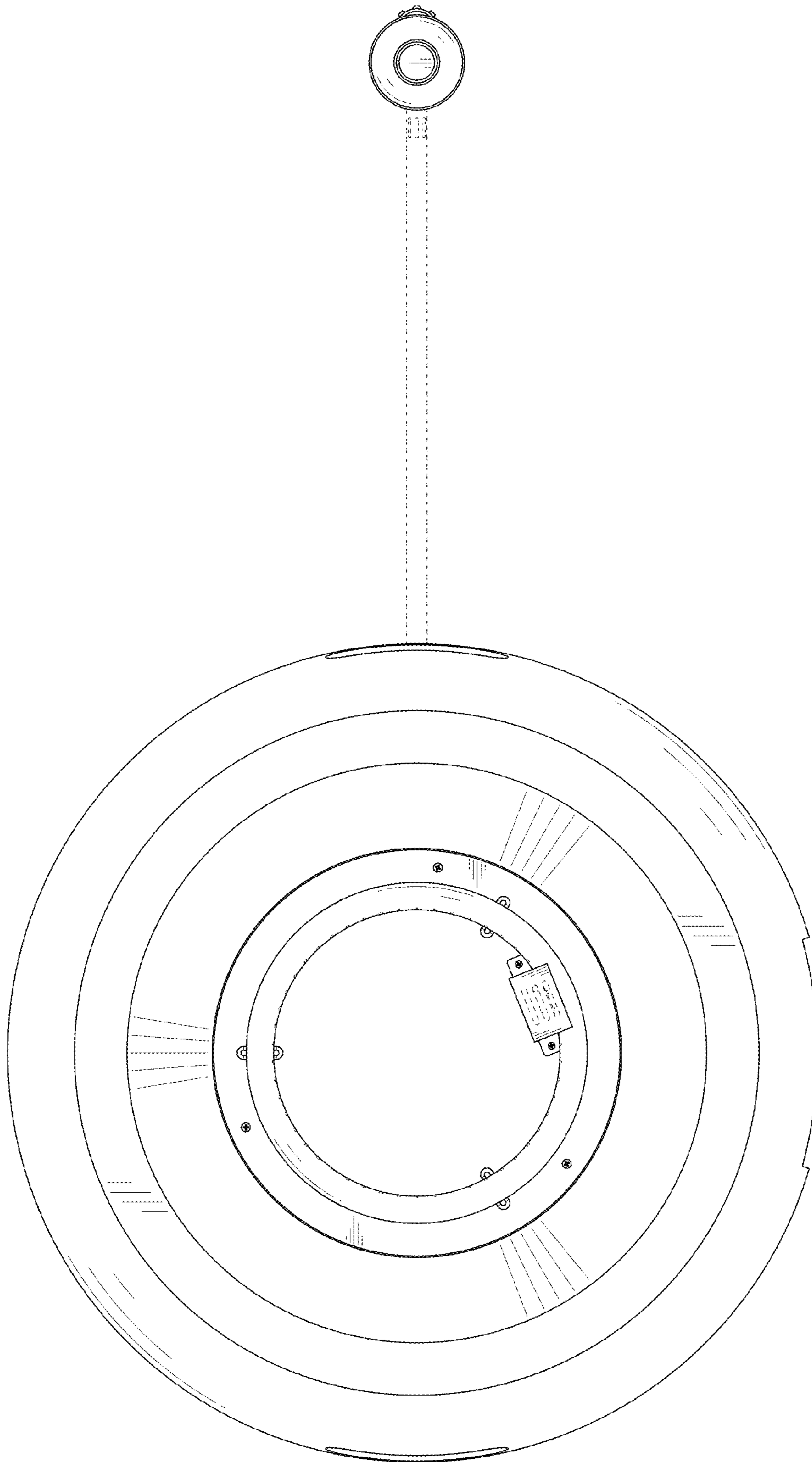


FIG. 7



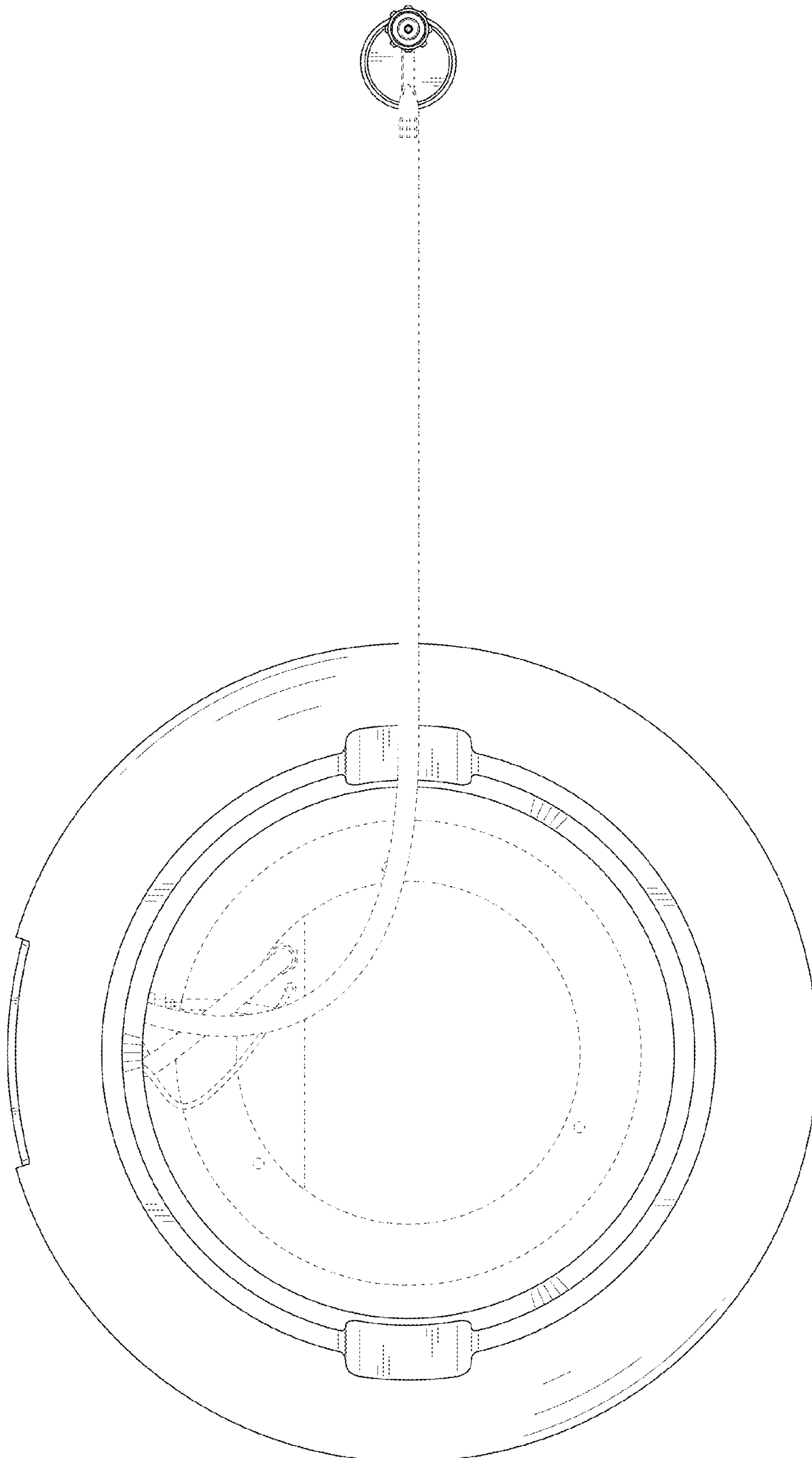


FIG. 8