



US00D966473S

(12) **United States Design Patent**  
**Tanghetti**

(10) **Patent No.:** **US D966,473 S**  
(45) **Date of Patent:** **\*\* Oct. 11, 2022**

(54) **VALVE**

(71) Applicant: **EFFEBI S.p.A.**, Bovezzo (IT)

(72) Inventor: **Ermanno Tanghetti**, Concesio (IT)

(73) Assignee: **EFFEBI S.p.A.**

(\*\*) Term: **15 Years**

(21) Appl. No.: **29/707,344**

(22) Filed: **Sep. 27, 2019**

(30) **Foreign Application Priority Data**

Mar. 28, 2019 (EM) ..... 006349825

(51) **LOC (13) Cl.** ..... **23-01**

(52) **U.S. Cl.**  
USPC ..... **D23/269**

(58) **Field of Classification Search**  
USPC ..... D23/233, 235, 237, 241-249, 259, 262,  
D23/269

(Continued)

(56) **References Cited**

**U.S. PATENT DOCUMENTS**

D614,272 S \* 4/2010 Henry ..... D23/269  
7,988,127 B2 \* 8/2011 Parra ..... F16K 5/0673  
251/172

(Continued)

**FOREIGN PATENT DOCUMENTS**

EM 002319988-0006 10/2013  
TR 201803750 6/2018

*Primary Examiner* — Gino Colan

(74) *Attorney, Agent, or Firm* — The Belles Group, P.C.

(57) **CLAIM**

The ornamental design for a valve, as shown and described.

**DESCRIPTION**

The file of this patent contains at least one drawing/photograph executed in color. Copies of this patent with color

drawing(s)/photograph will be provided by the Office upon request and payment of the necessary fee.

FIG. 1 is a perspective view of a valve according to a first embodiment of the new design;

FIG. 2 is a left side elevational view thereof;

FIG. 3 is a right side elevational view thereof;

FIG. 4 is a front elevational view thereof;

FIG. 5 is a rear elevational view thereof;

FIG. 6 is a top plan view thereof;

FIG. 7 is a bottom plan view thereof;

FIG. 8 is a perspective view of a valve according to a second embodiment of the new design;

FIG. 9 is a left side elevational view thereof;

FIG. 10 is a right side elevational view thereof;

FIG. 11 is a front elevational view thereof;

FIG. 12 is a rear elevational view thereof;

FIG. 13 is a top plan view thereof;

FIG. 14 is a bottom plan view thereof;

FIG. 15 is a perspective view of a valve according to a third embodiment of the new design;

FIG. 16 is a left side elevational view thereof;

FIG. 17 is a right side elevational view thereof;

FIG. 18 is a front elevational view thereof;

FIG. 19 is a rear elevational view thereof;

FIG. 20 is a top plan view thereof;

FIG. 21 is a bottom plan view thereof;

FIG. 22 is a perspective view of a valve according to a fourth embodiment of the new design;

FIG. 23 is a left side elevational view thereof;

FIG. 24 is a right side elevational view thereof;

FIG. 25 is a front elevational view thereof;

FIG. 26 is a rear elevational view thereof;

FIG. 27 is a top plan view thereof;

FIG. 28 is a bottom plan view thereof;

FIG. 29 is a perspective view of a valve according to a fifth embodiment of the new design;

FIG. 30 is a left side elevational view thereof;

FIG. 31 is a right side elevational view thereof;

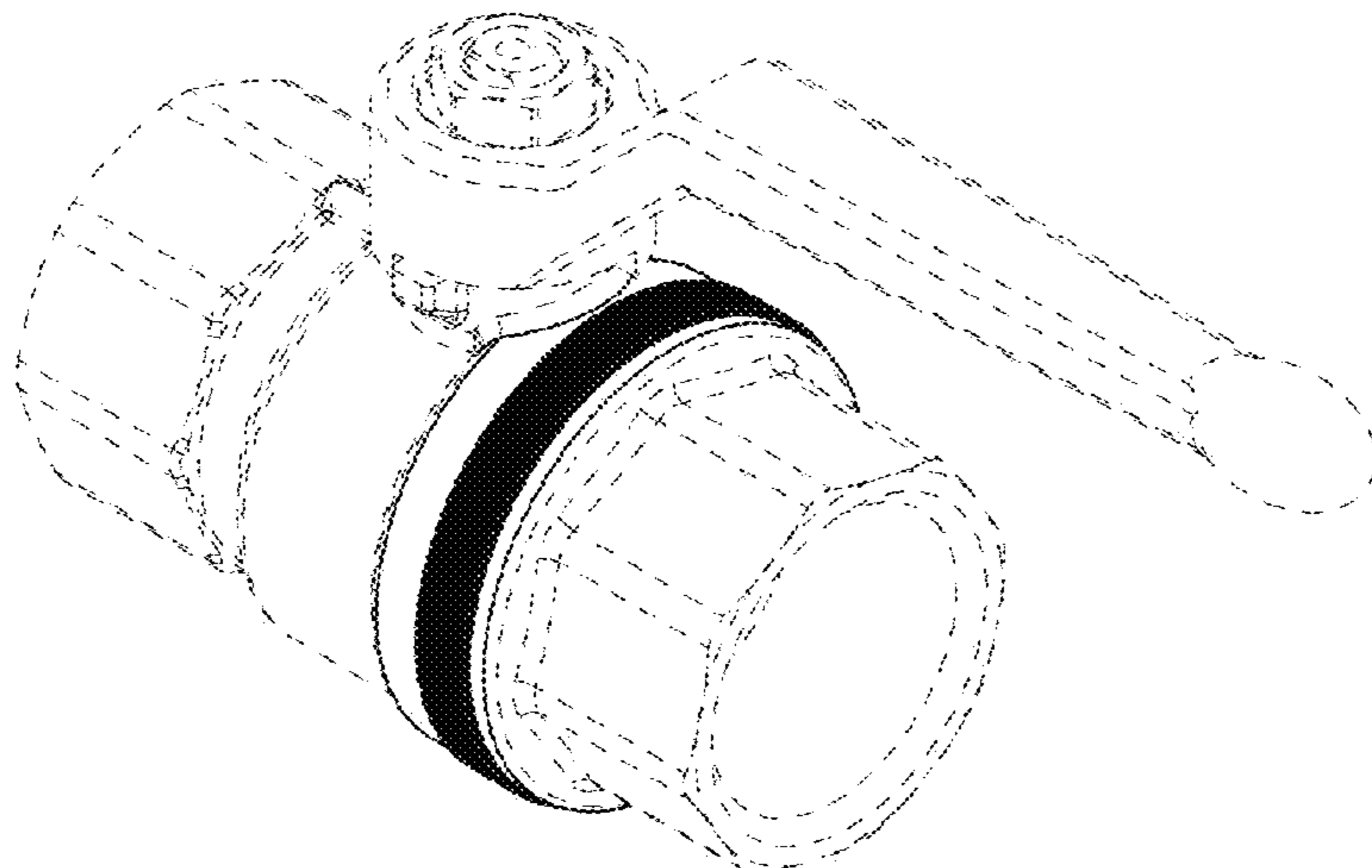
FIG. 32 is a front elevational view thereof;

FIG. 33 is a rear elevational view thereof;

FIG. 34 is a top plan view thereof; and,

FIG. 35 is a bottom plan view thereof.

(Continued)



The broken lines formed by linear segments of equal length in the figures are provided for environment only and form no part of the claimed design.

**1 Claim, 35 Drawing Sheets  
(28 of 35 Drawing Sheet(s) Filed in Color)**

(58) **Field of Classification Search**

CPC ..... F16K 1/42; F16K 25/005; F16K 5/0689;  
F16K 1/2263; F16K 3/0227; F16K 1/36;  
F16K 1/427; F16K 1/443; F16K 1/46;  
F16K 1/465; F16K 27/067; F16K 15/14;  
F16K 5/0668; F16K 5/0673; F16K  
5/0663

See application file for complete search history.

(56) **References Cited**

U.S. PATENT DOCUMENTS

D802,723 S \* 11/2017 Miyamoto ..... D23/269  
10,302,206 B2 \* 5/2019 Wang ..... F16K 37/0058  
11,138,908 B2 \* 10/2021 Tanghetti ..... G09F 3/205

\* cited by examiner

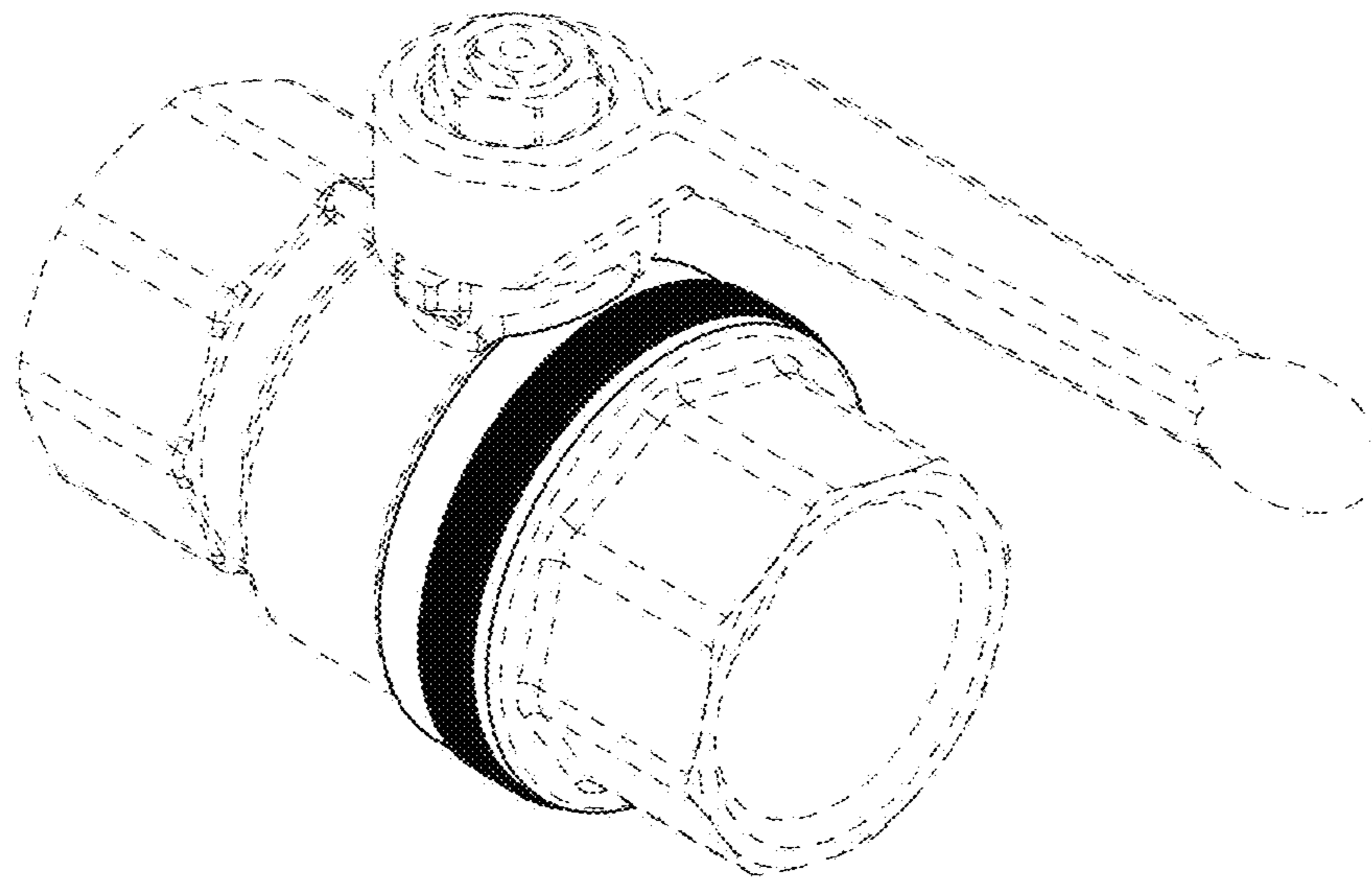


FIG. 1

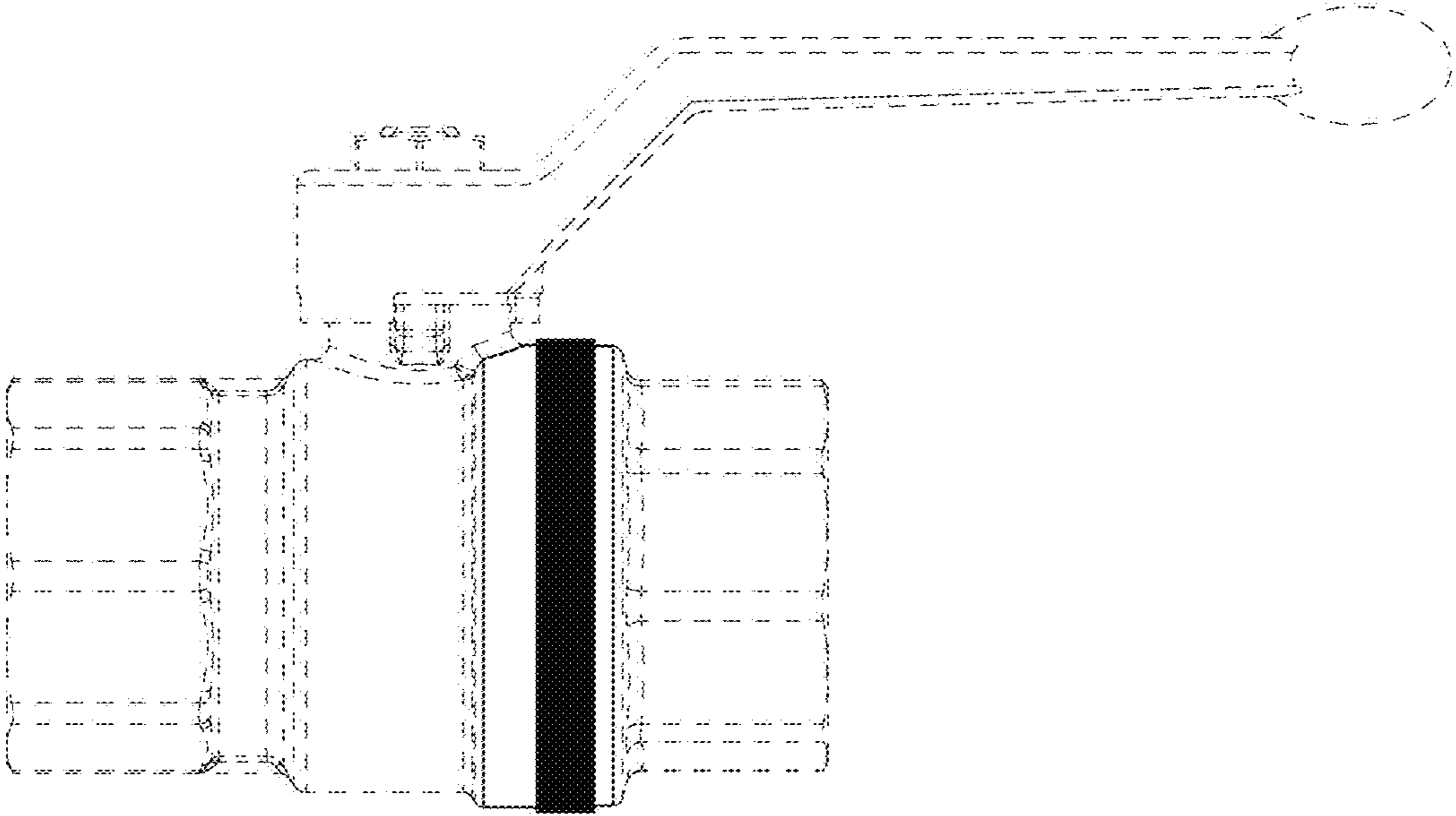


FIG. 2

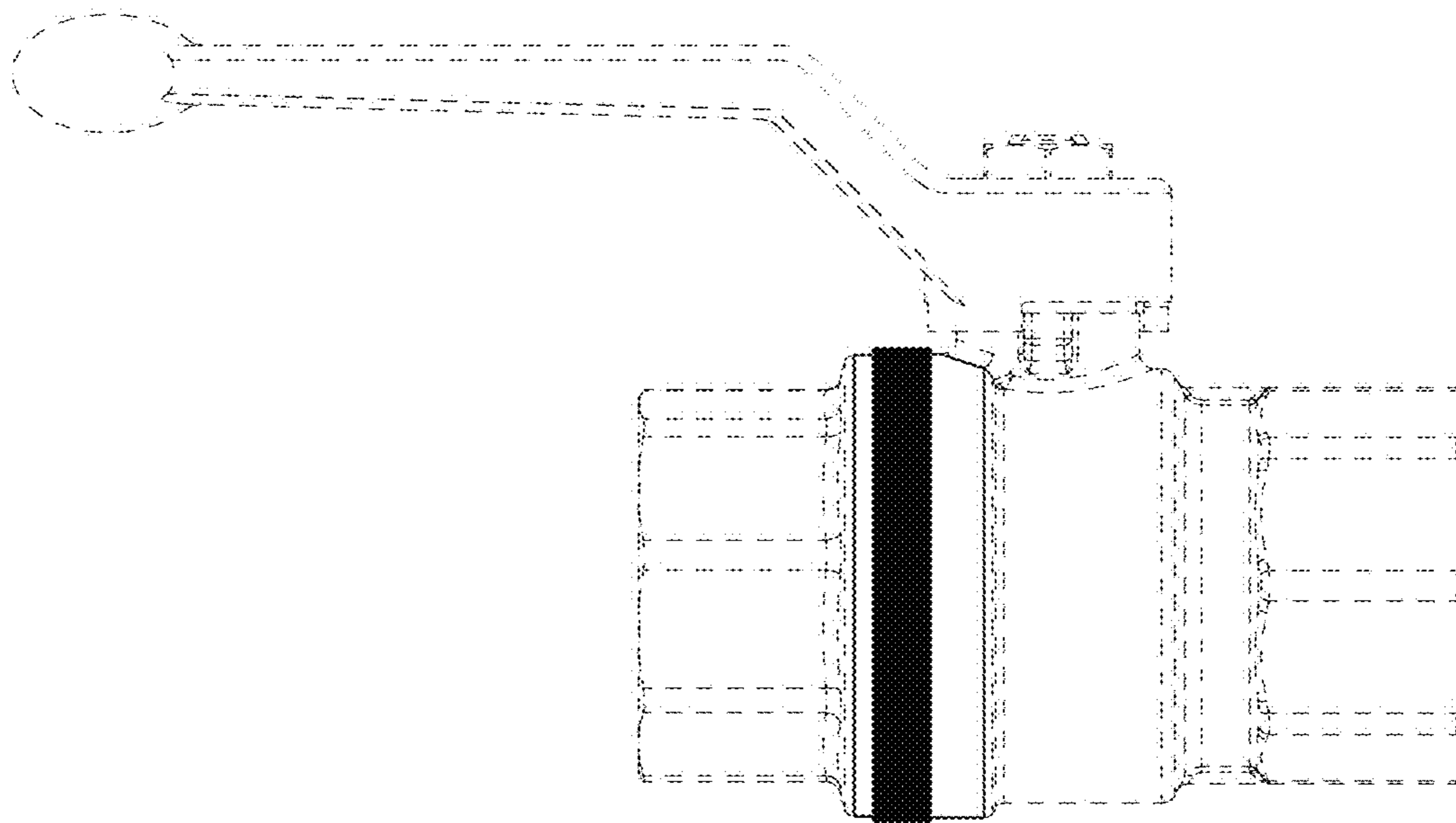


FIG. 3

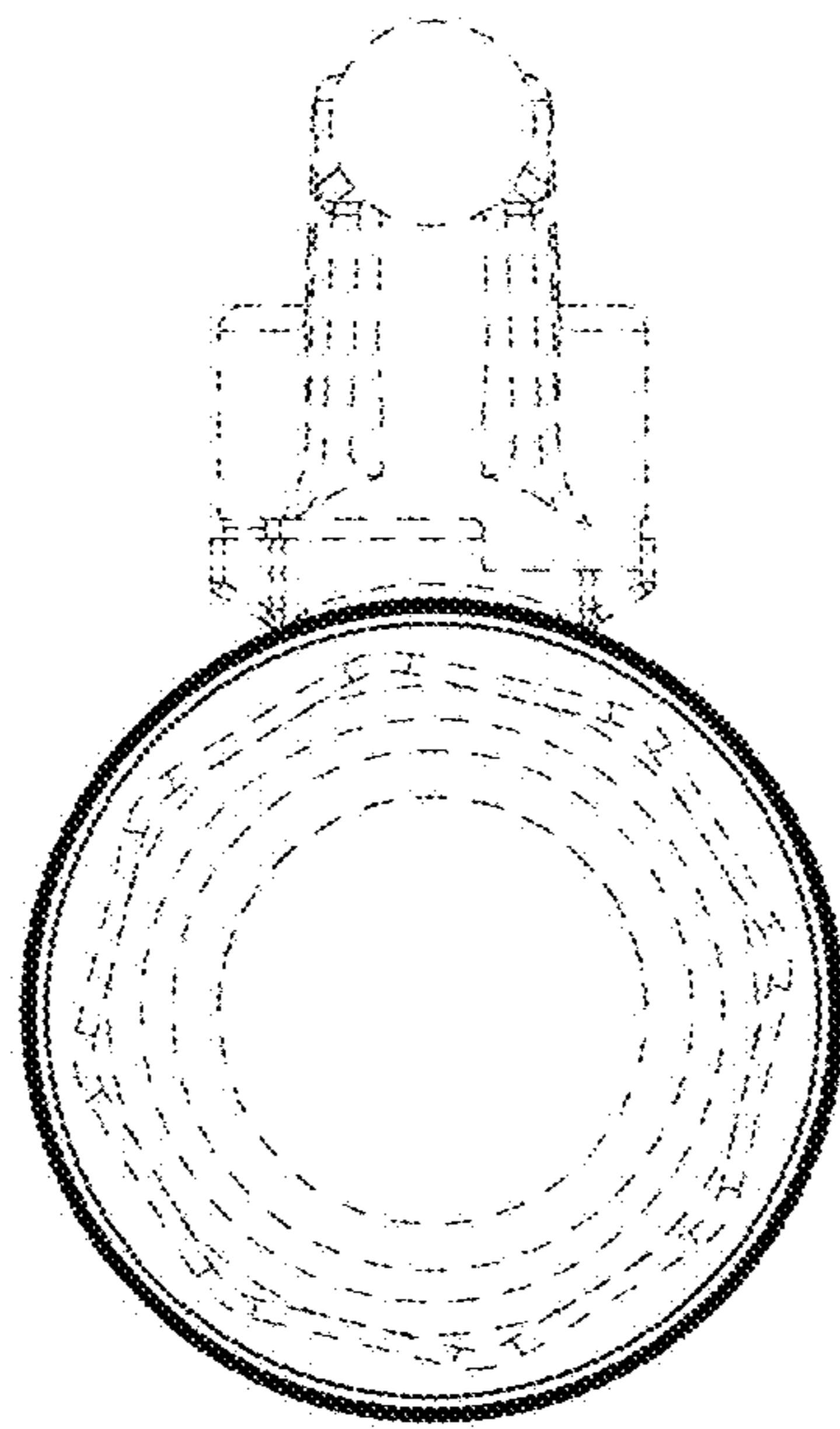


FIG. 4

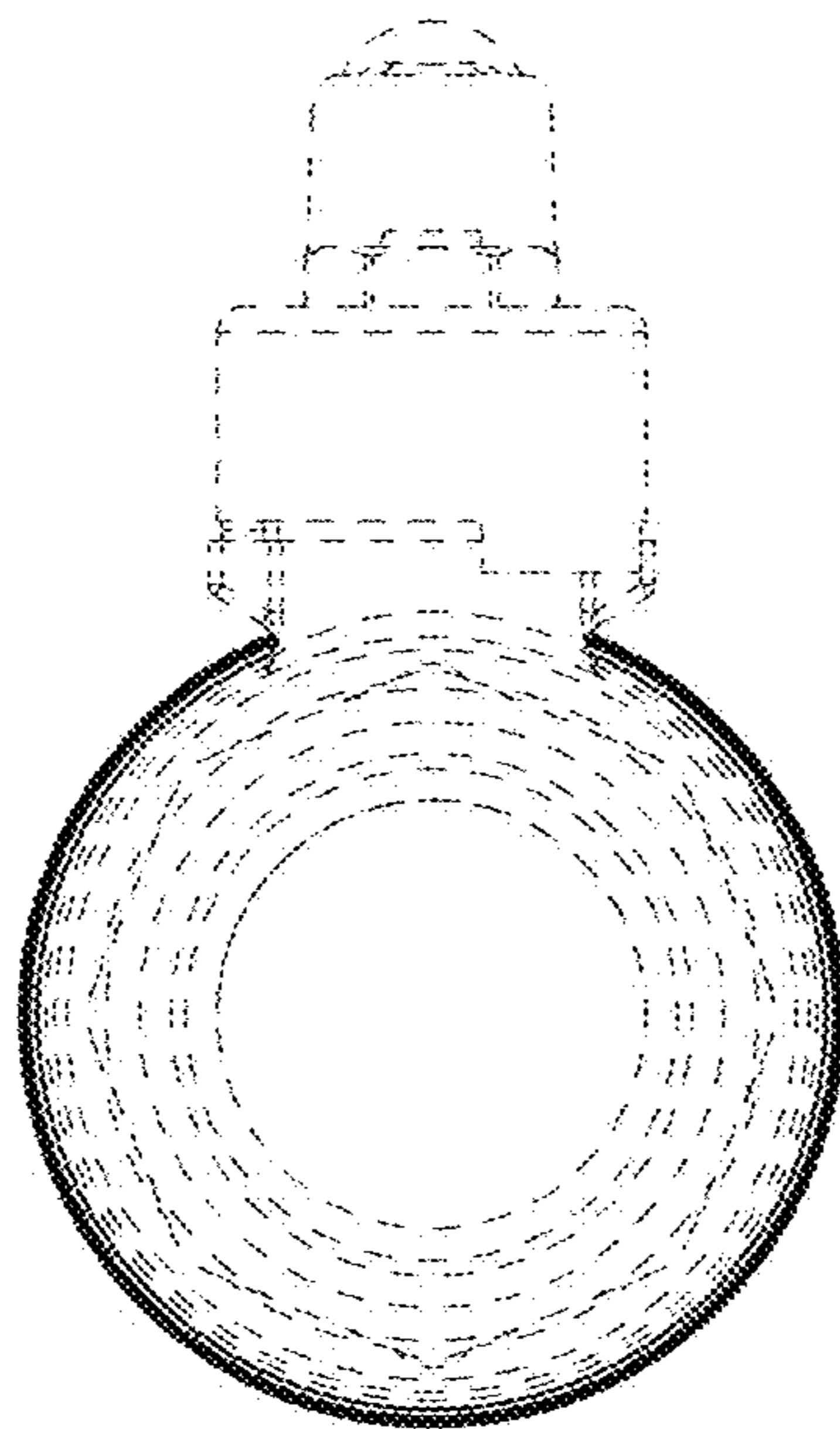


FIG. 5

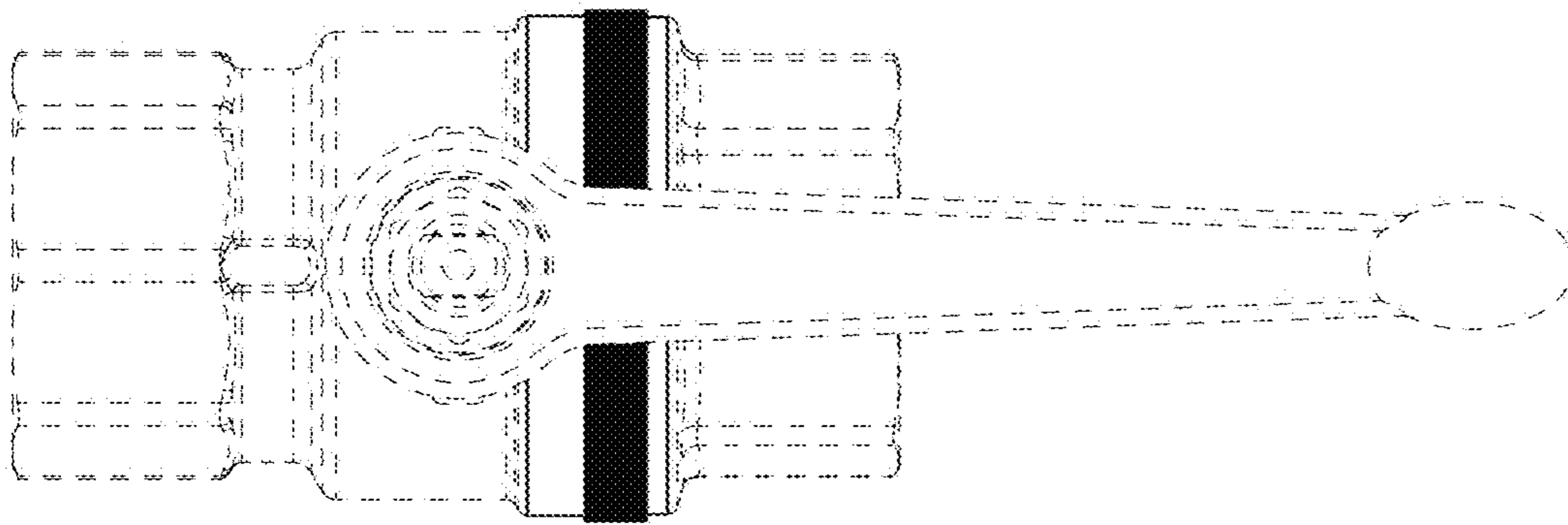


FIG. 6



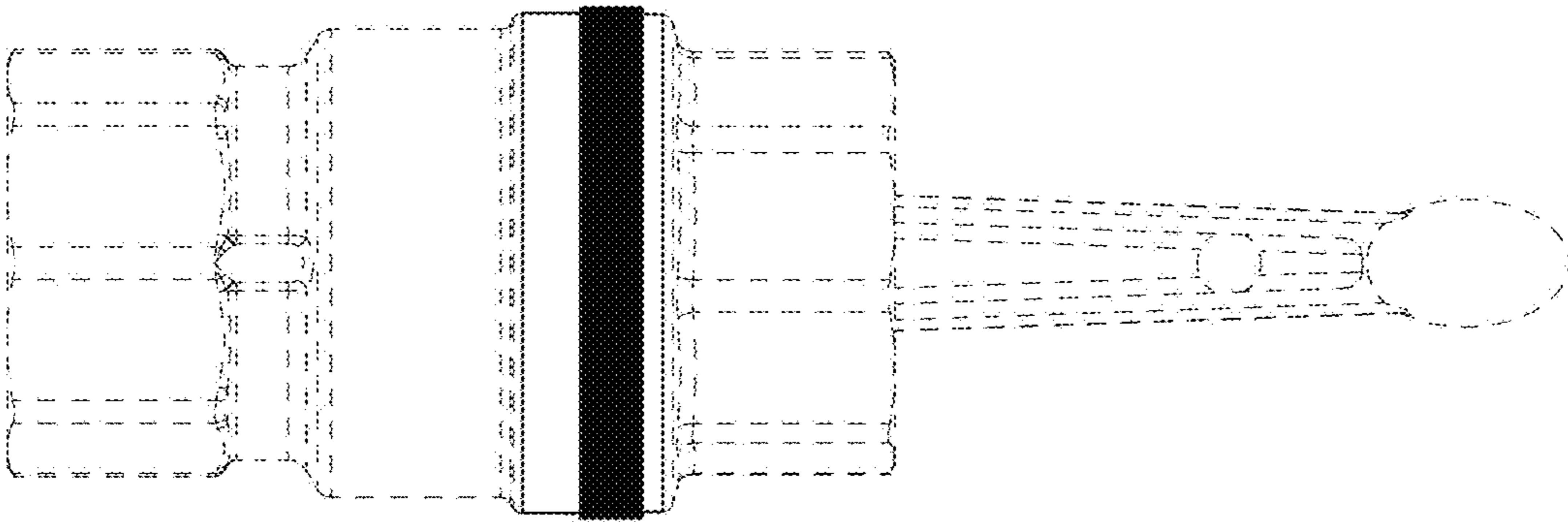


FIG. 7

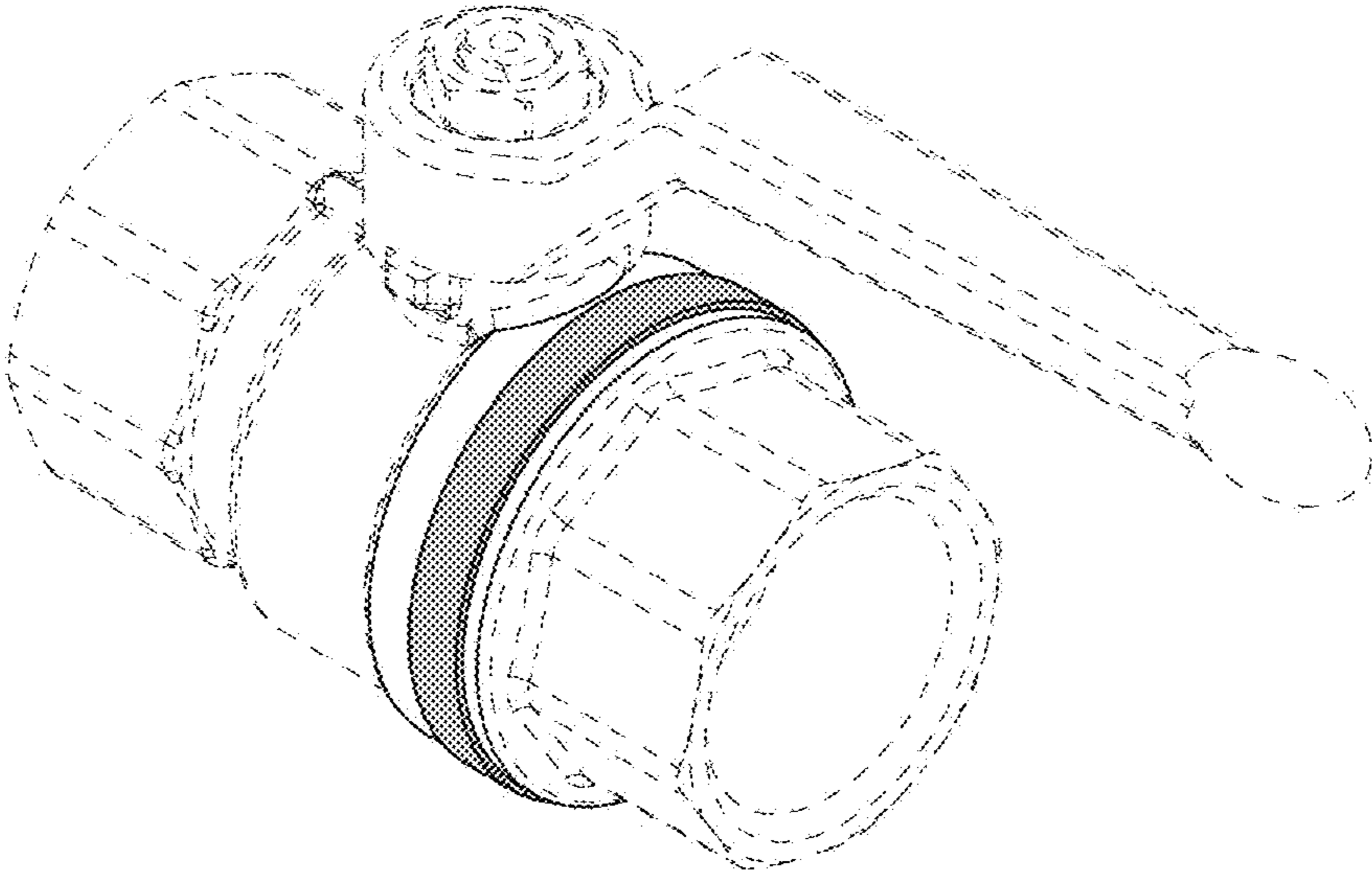


FIG. 8

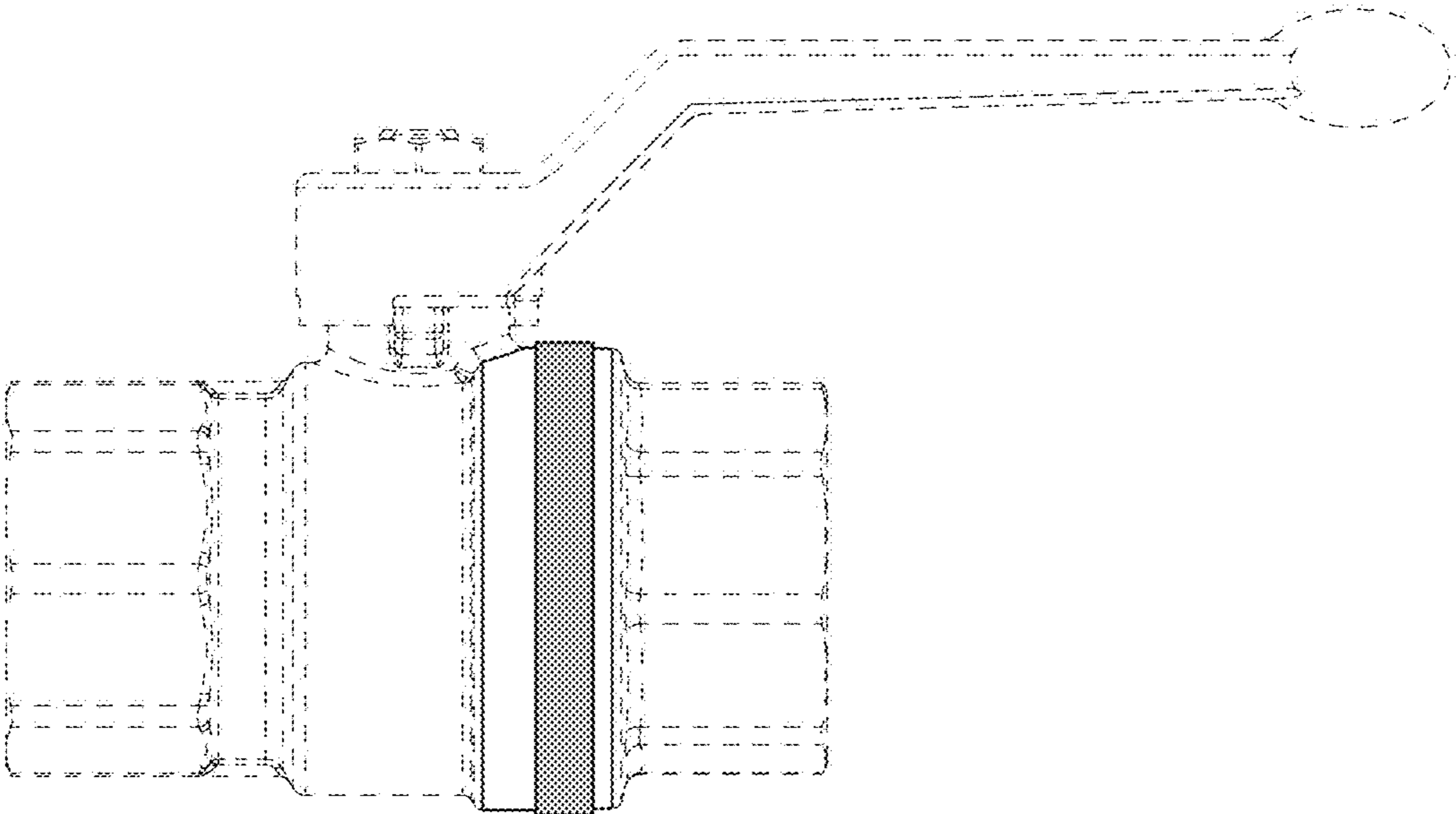


FIG. 9

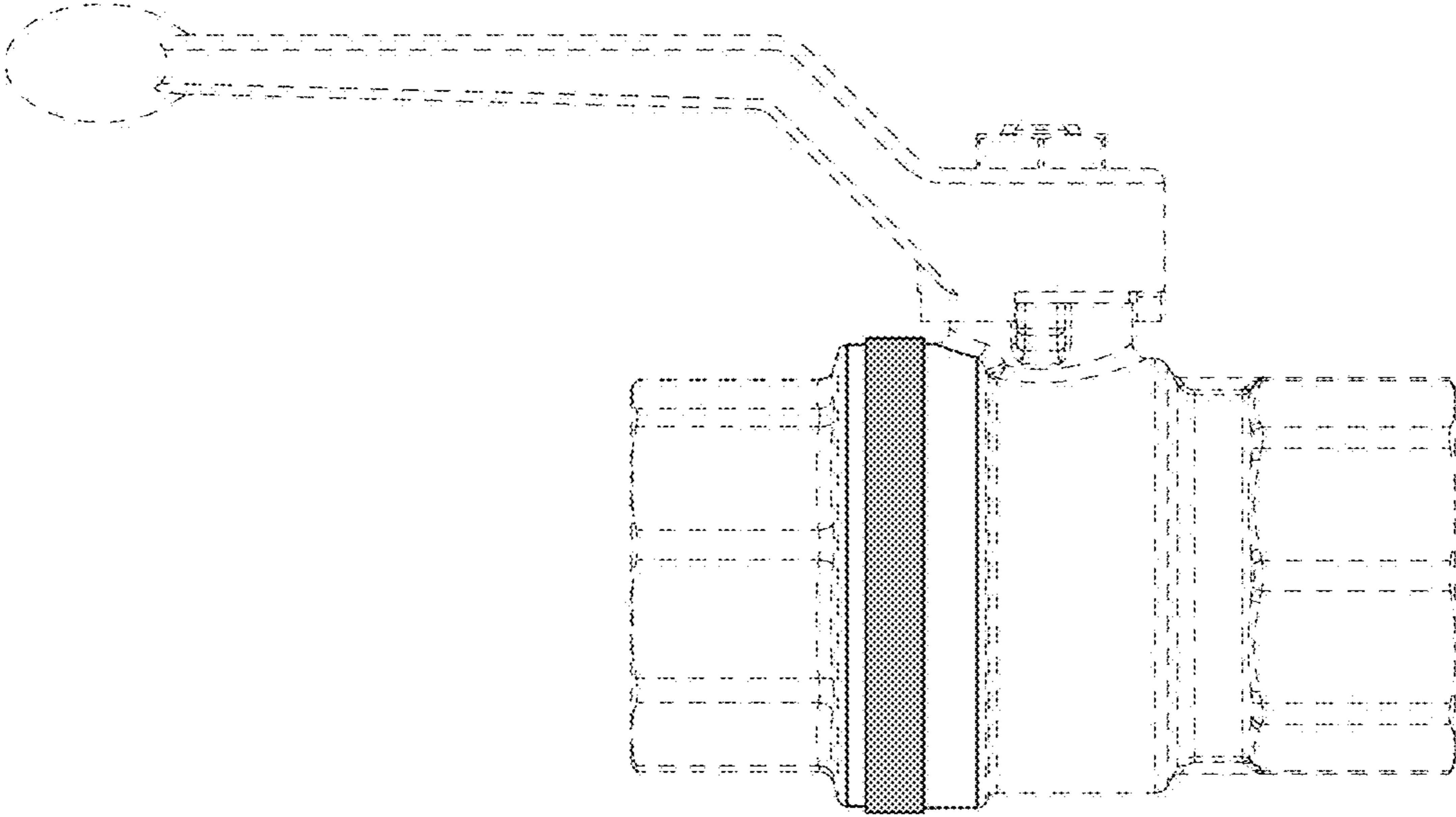


FIG. 10

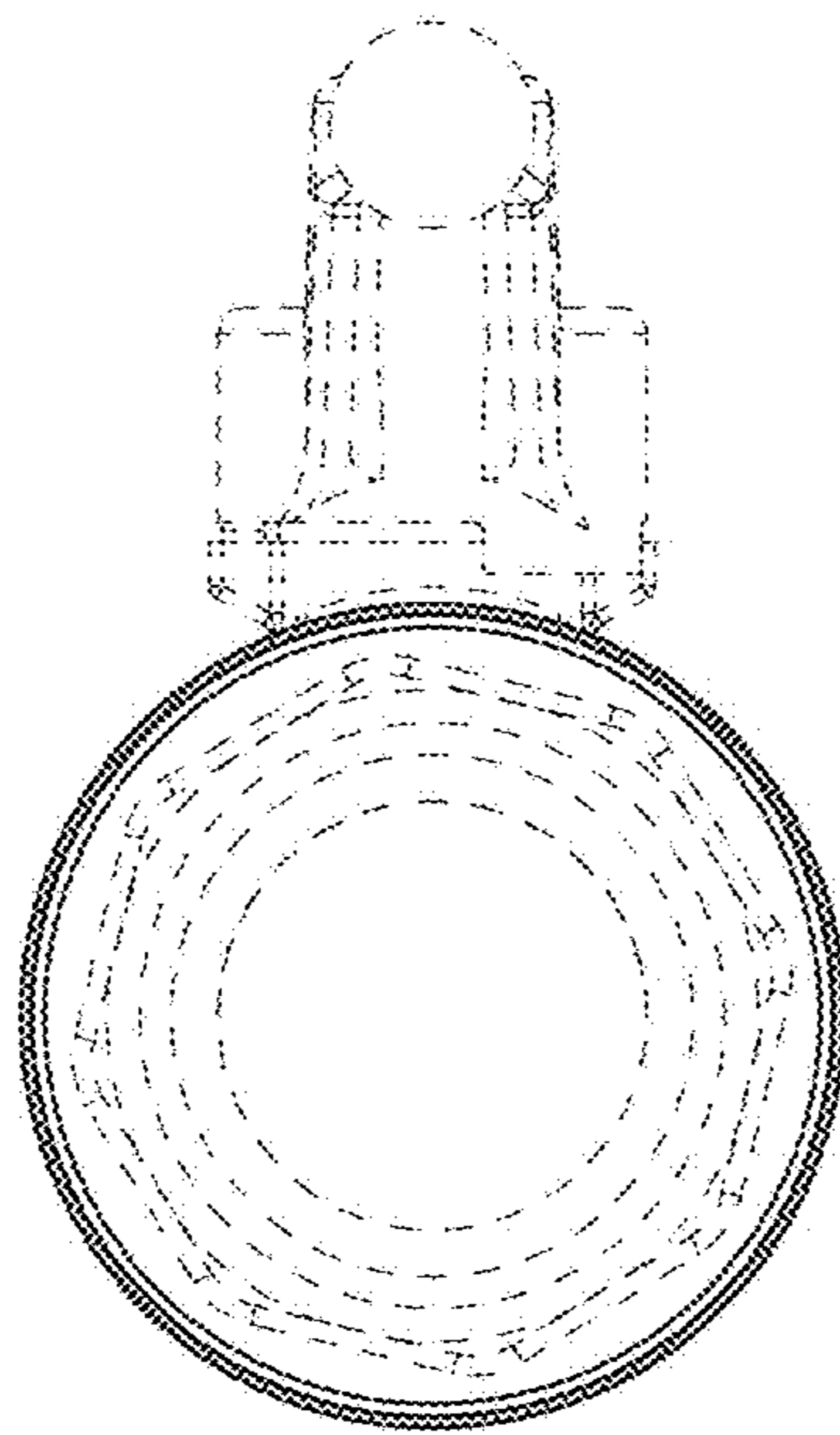


FIG. 11

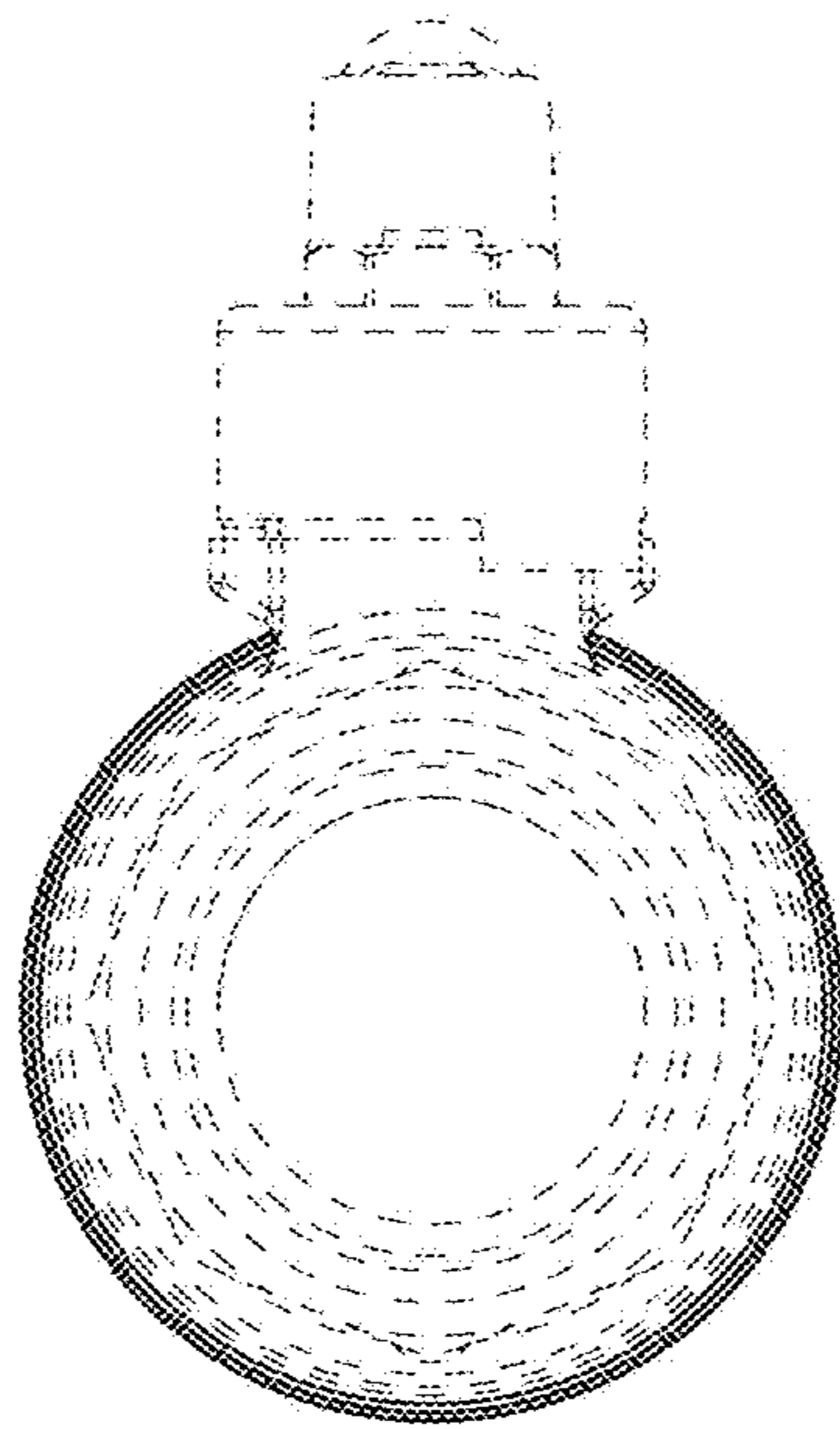


FIG. 12

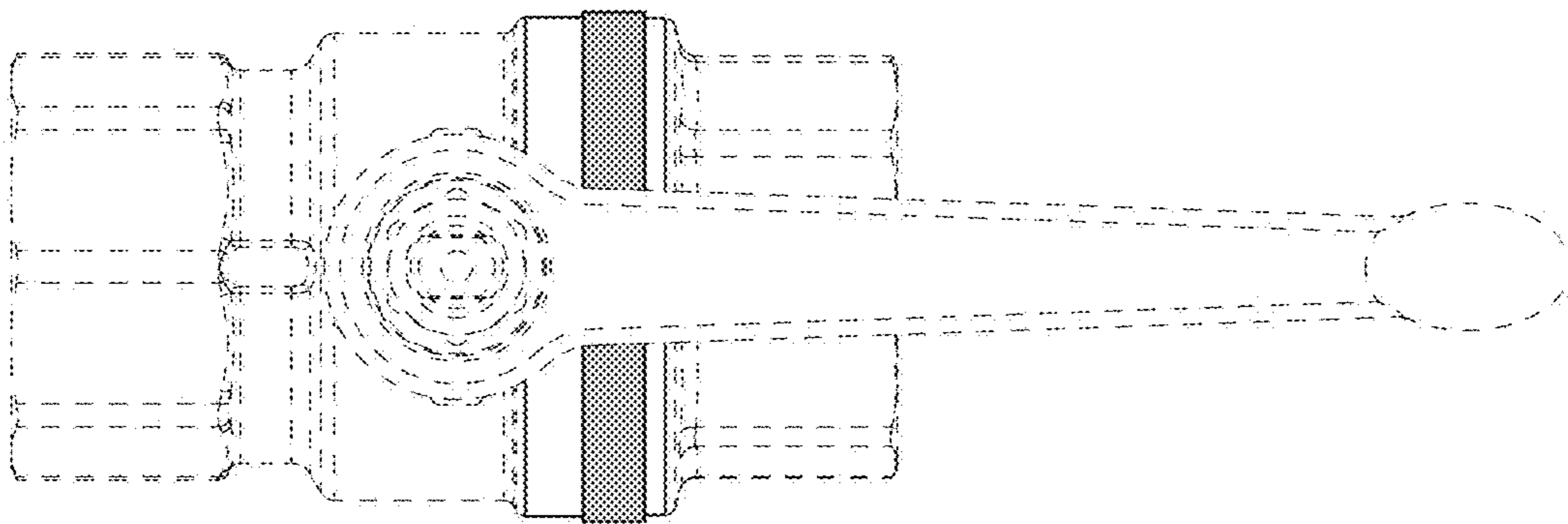


FIG. 13

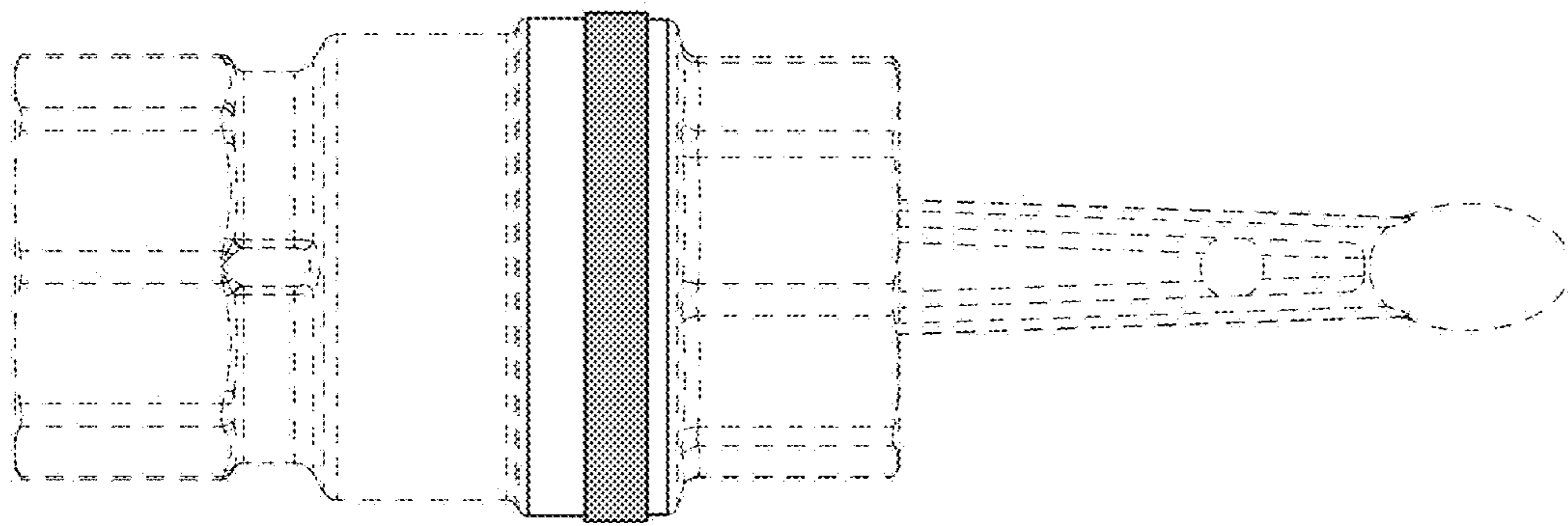


FIG. 14



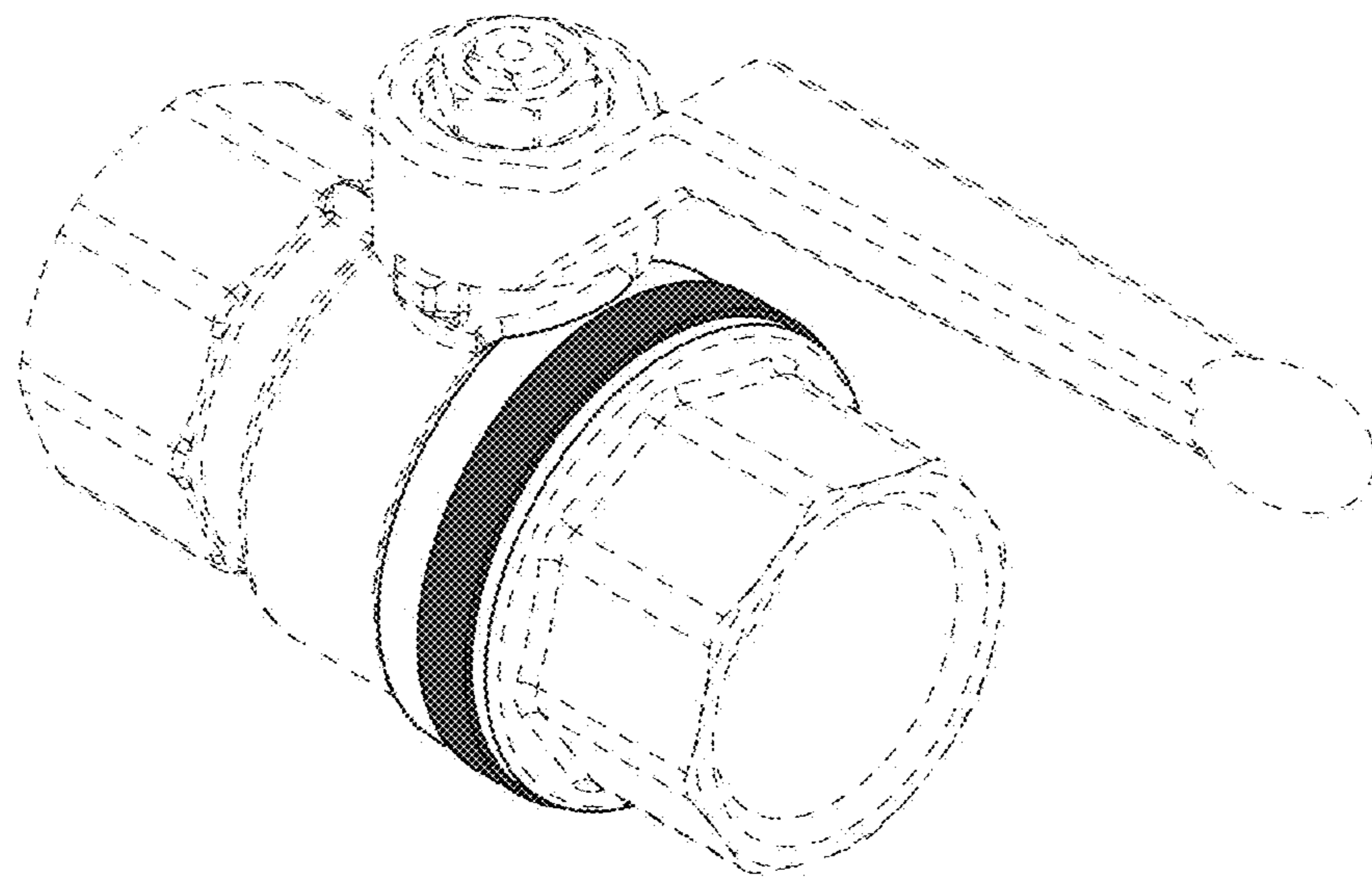


FIG. 15

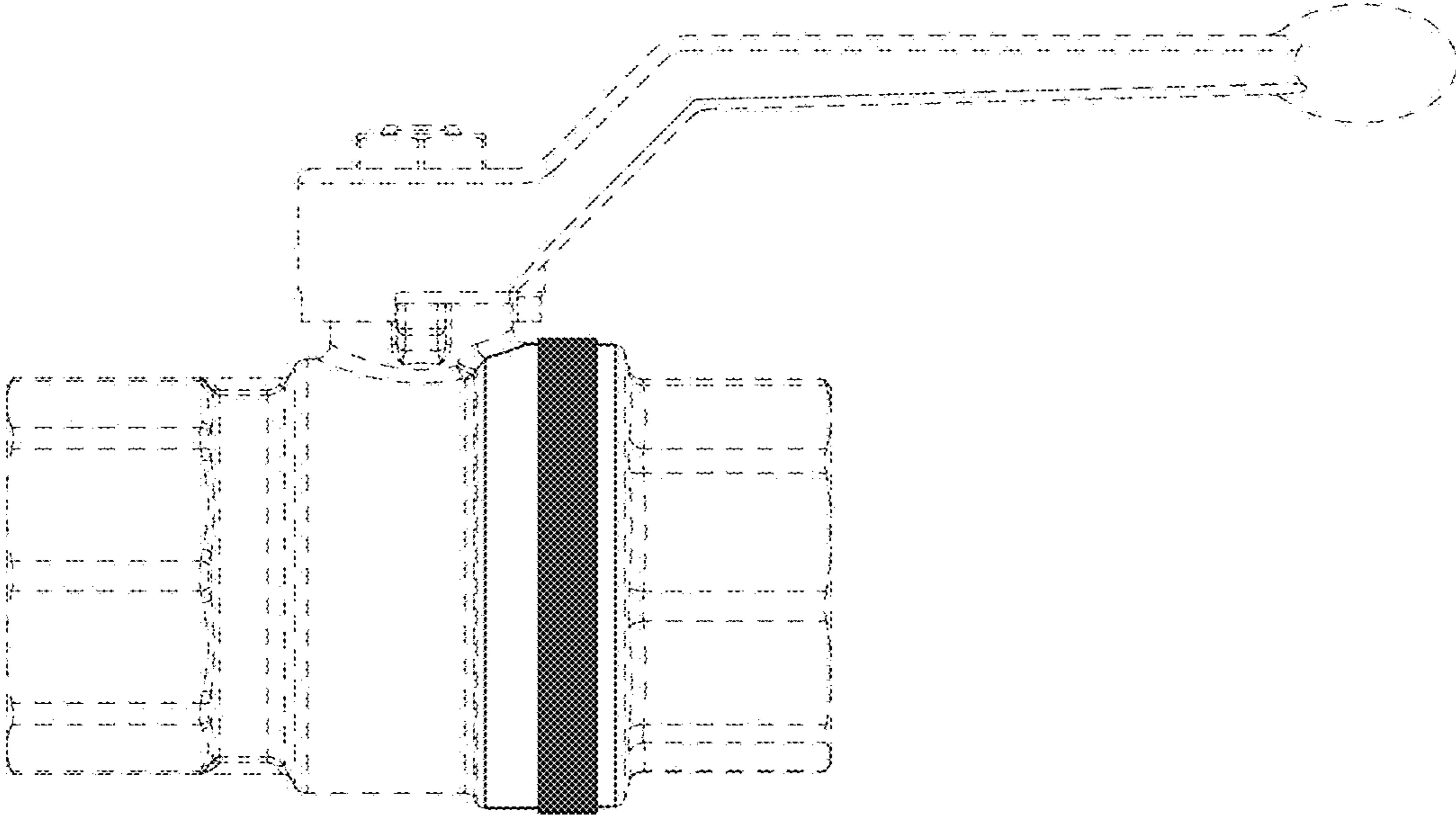


FIG. 16

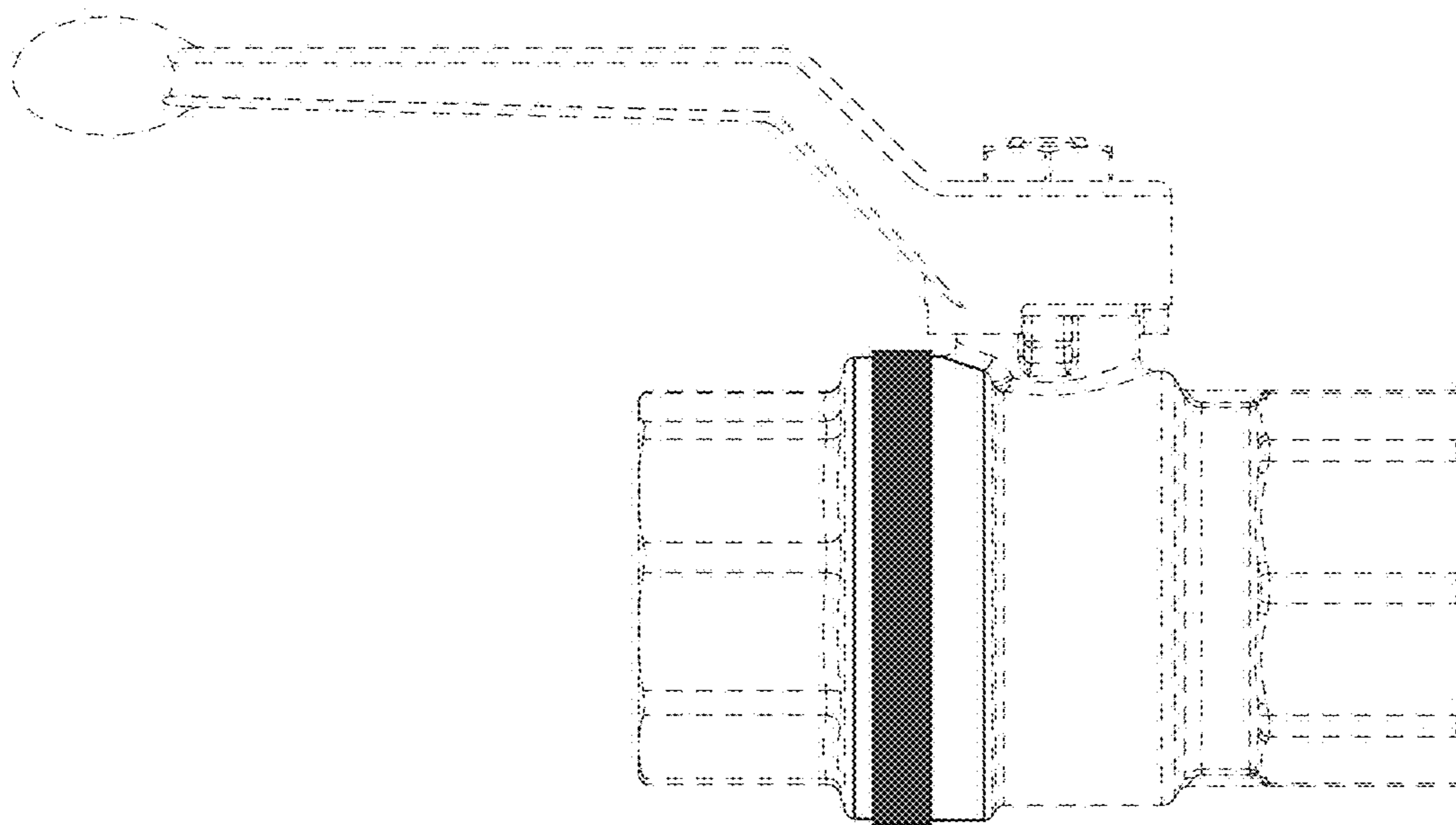


FIG. 17

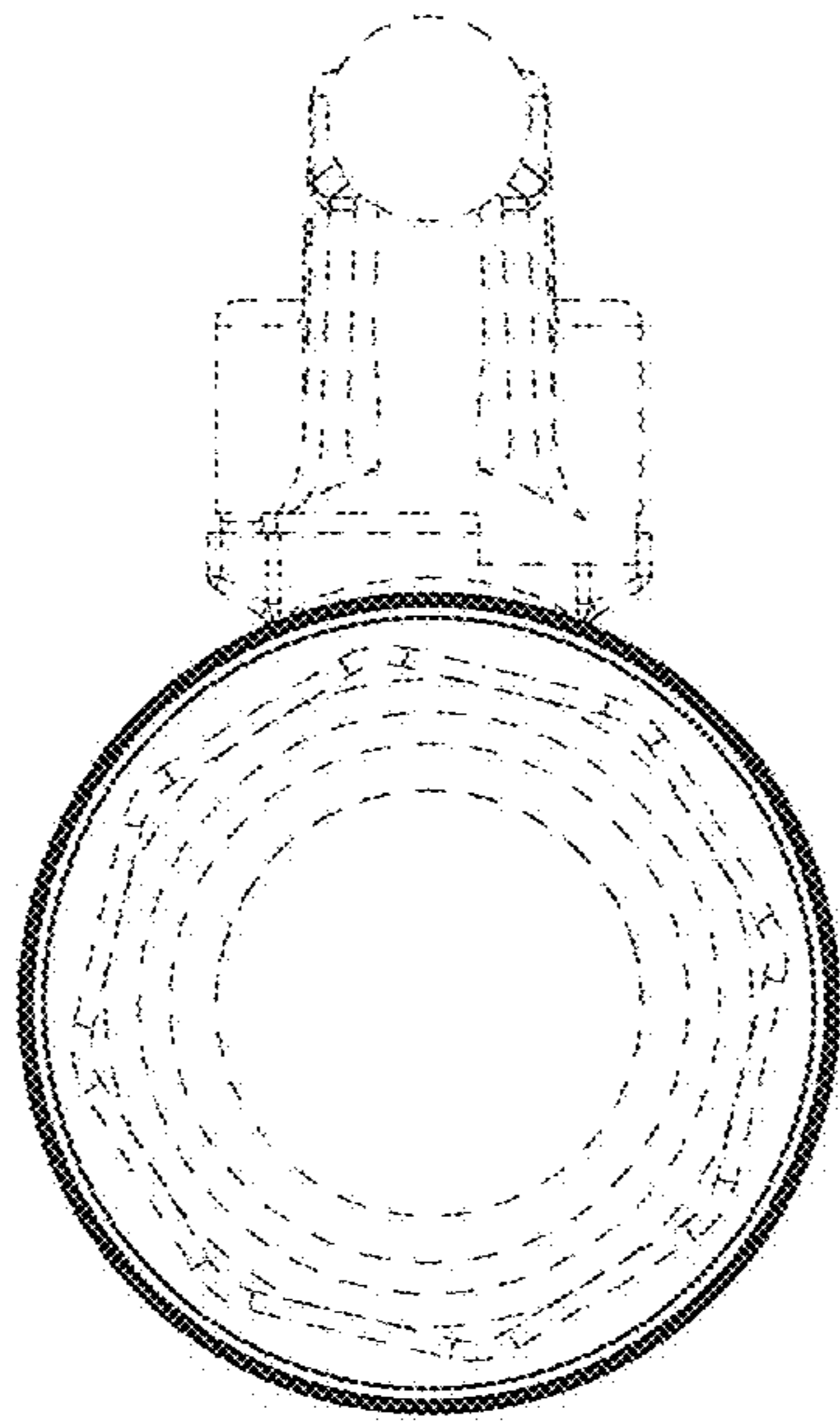


FIG. 18

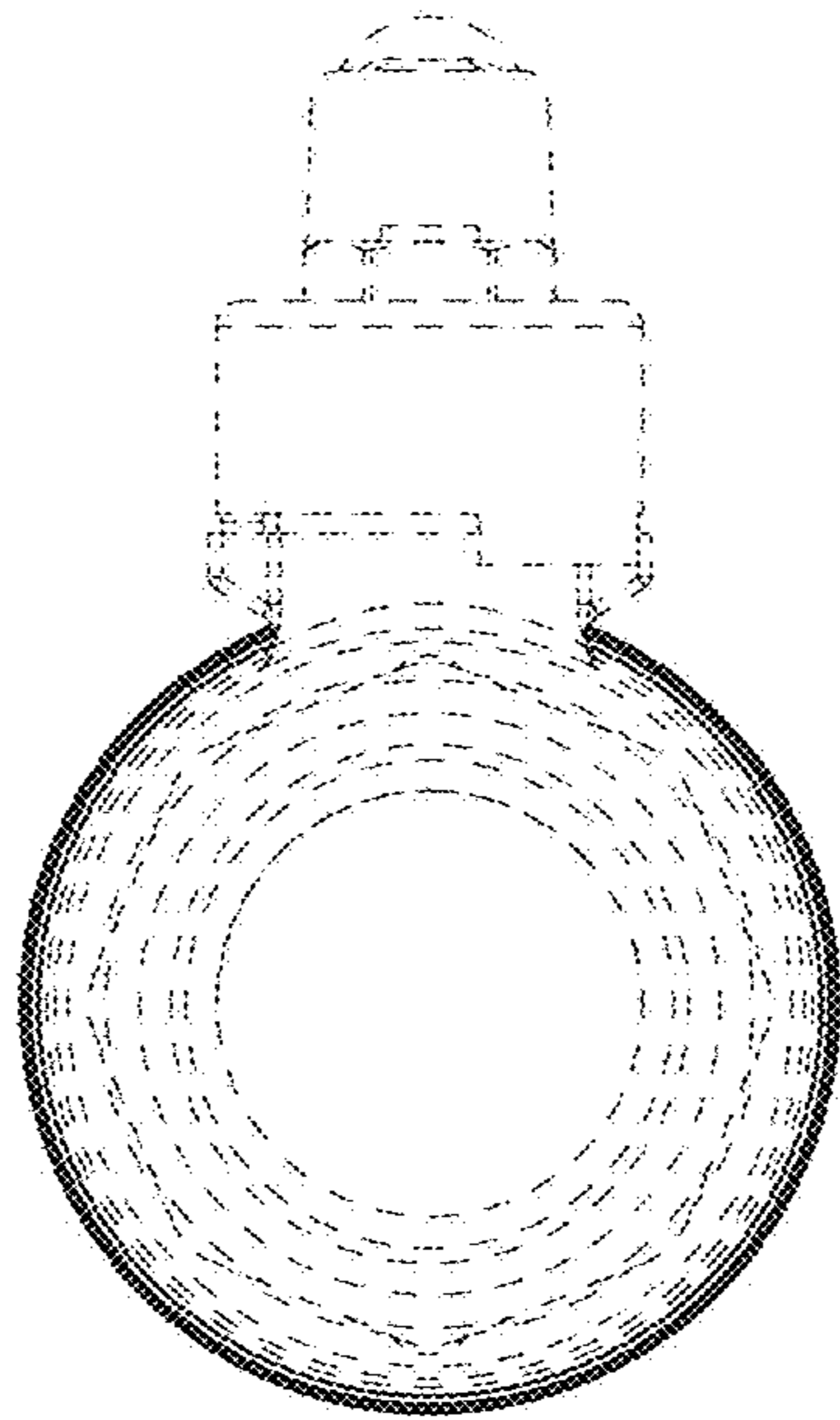


FIG. 19

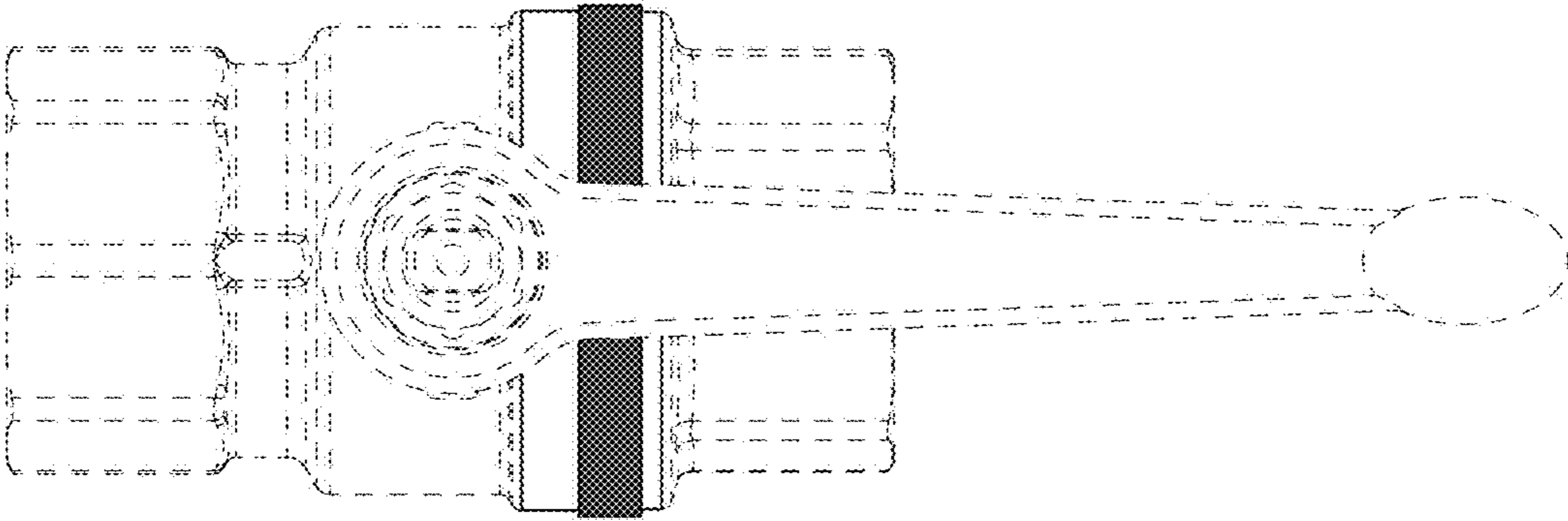


FIG. 20

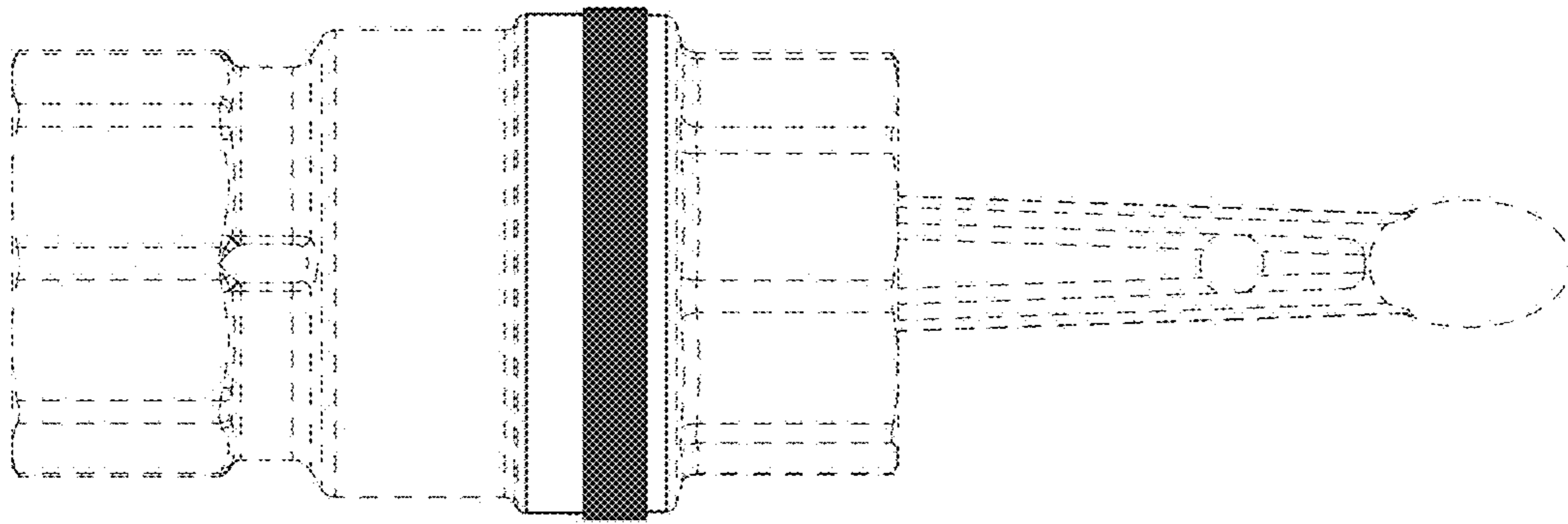


FIG. 21

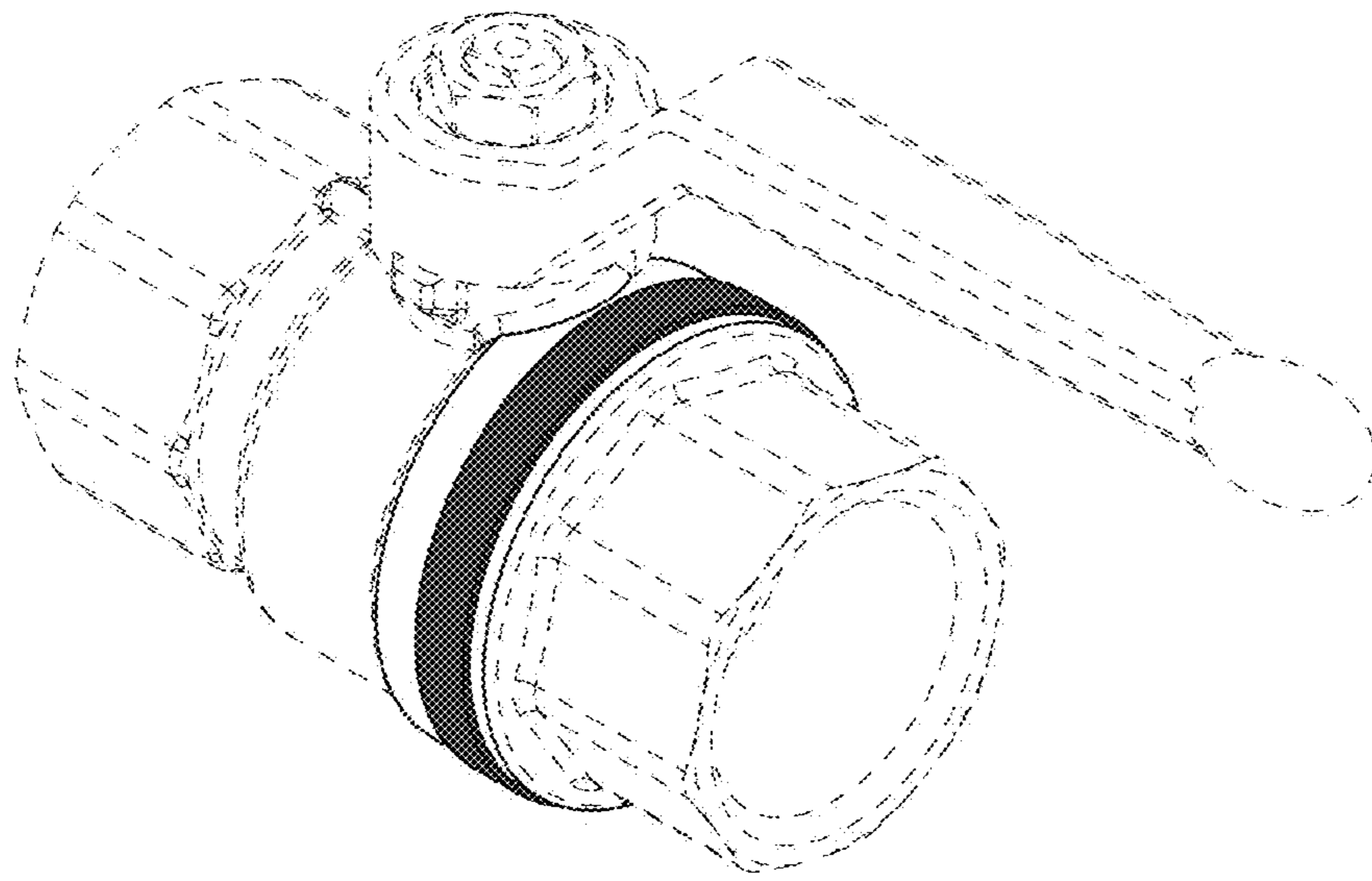


FIG. 22



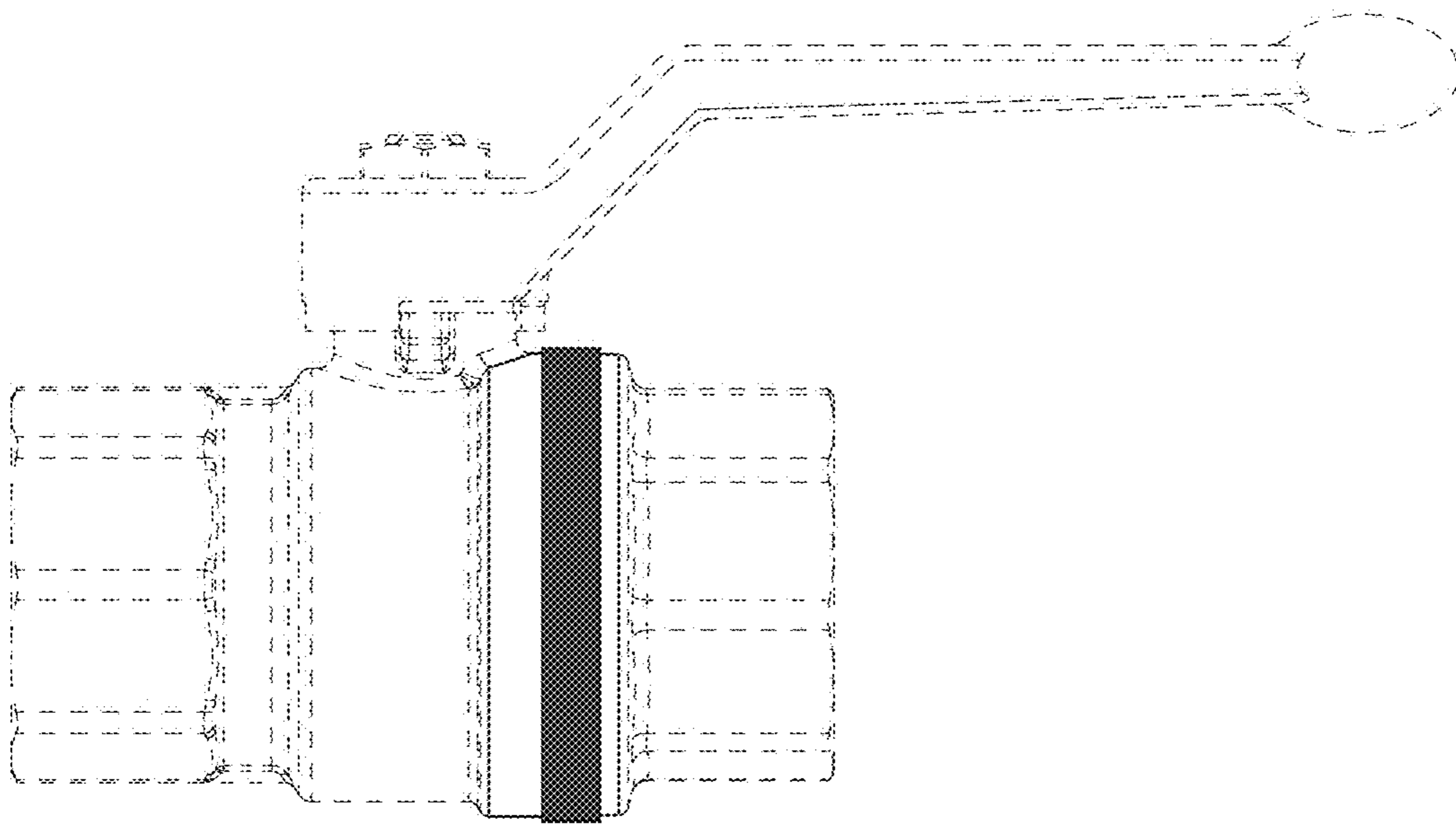


FIG. 23

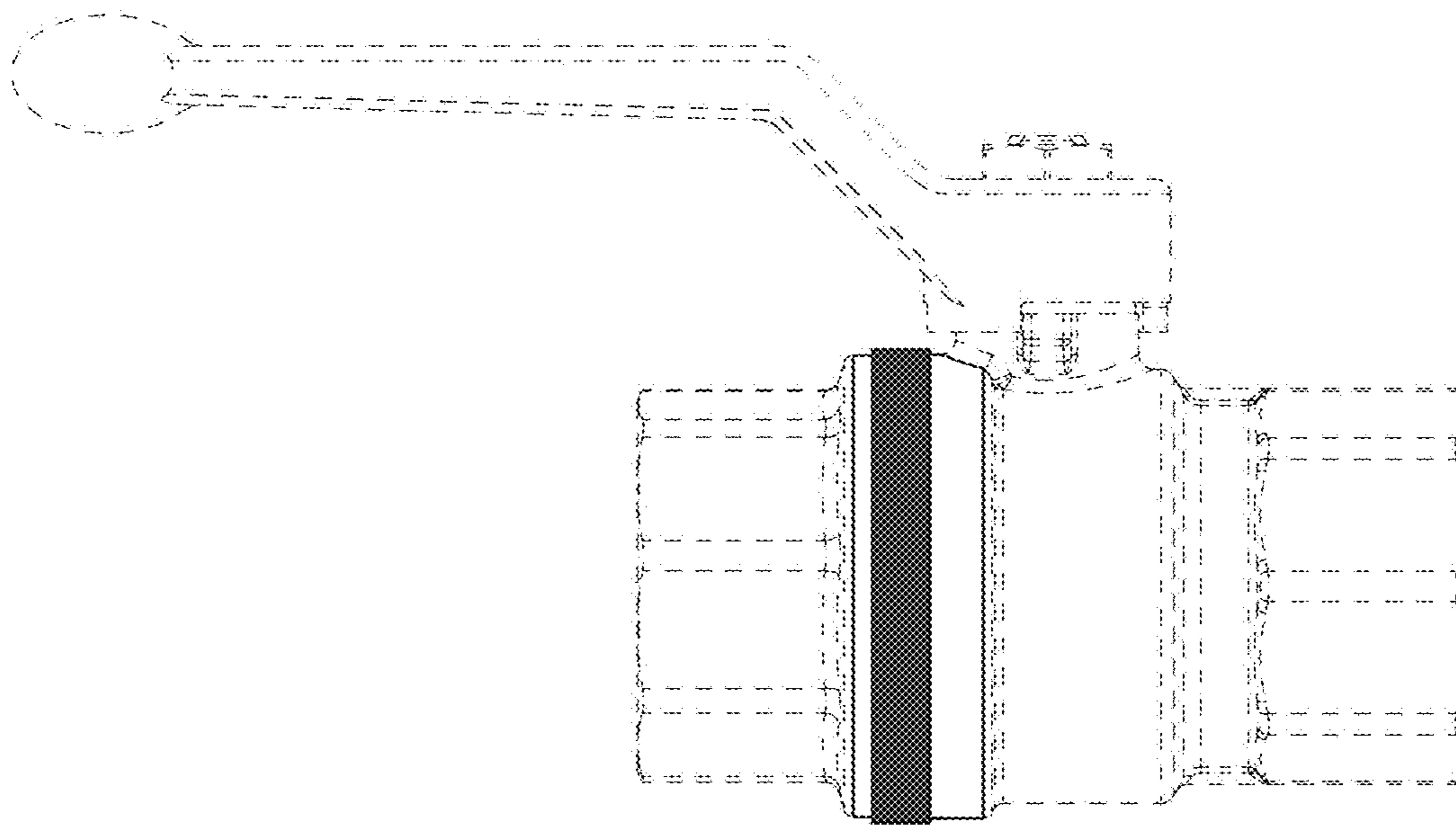


FIG. 24

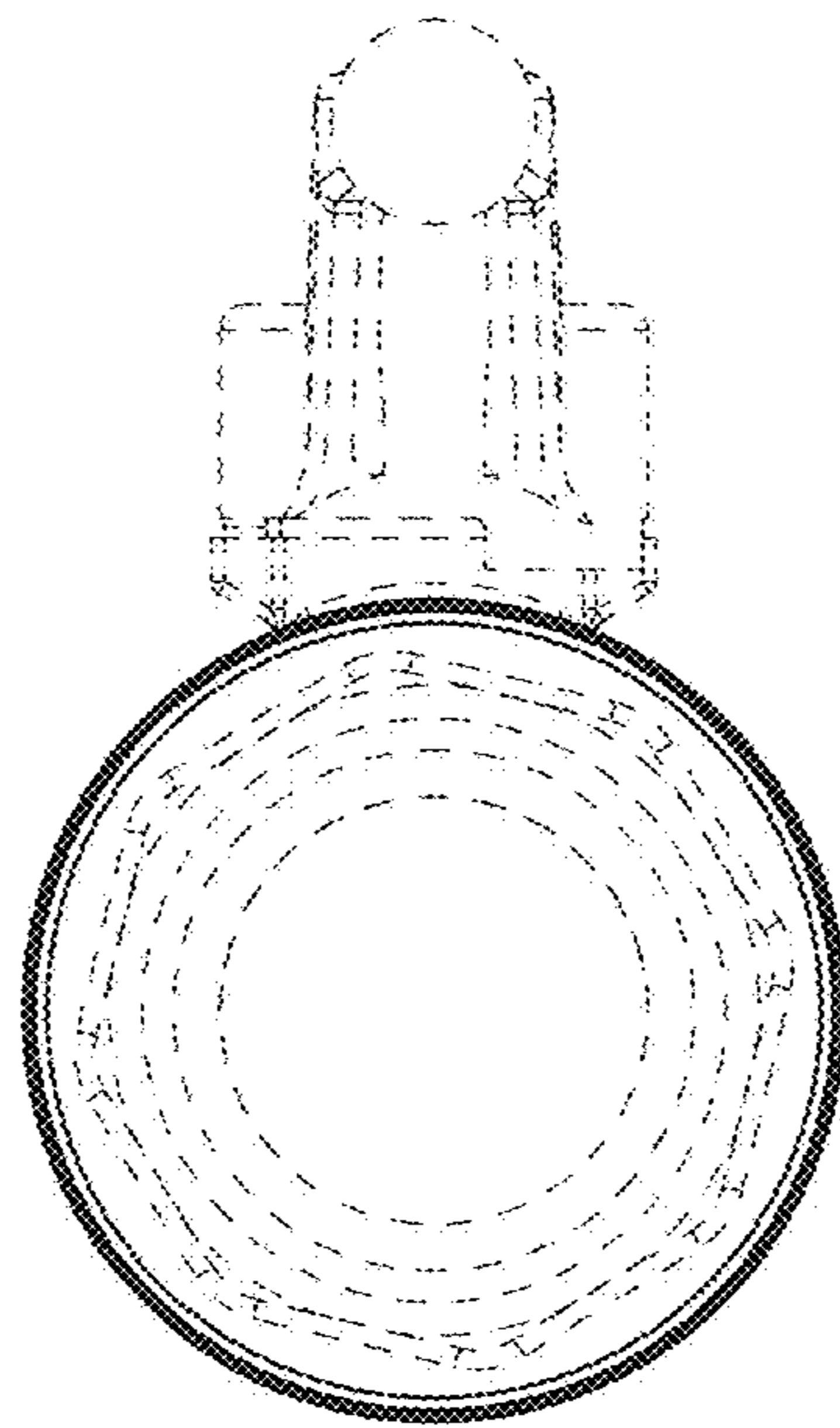


FIG. 25

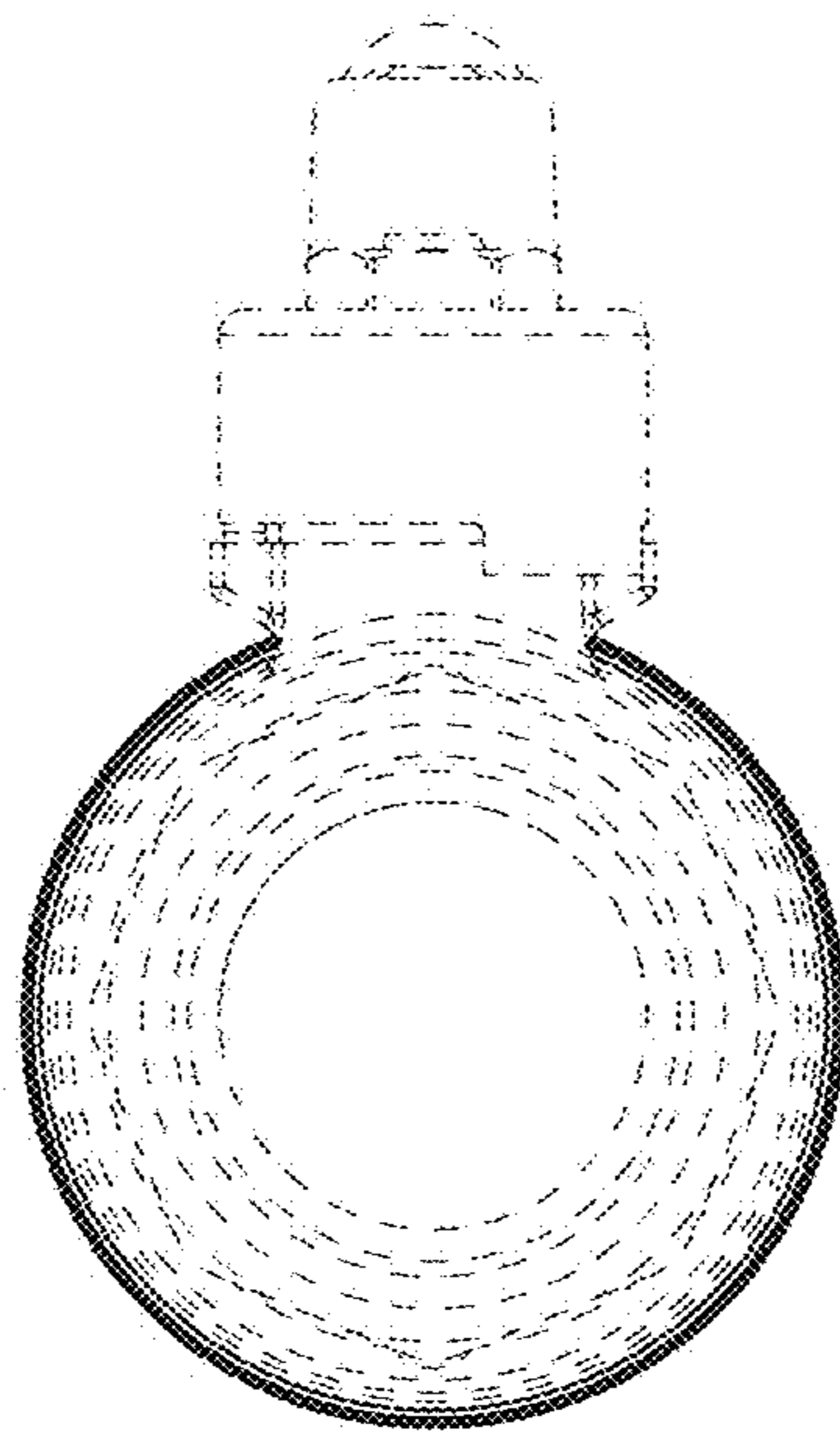


FIG. 26

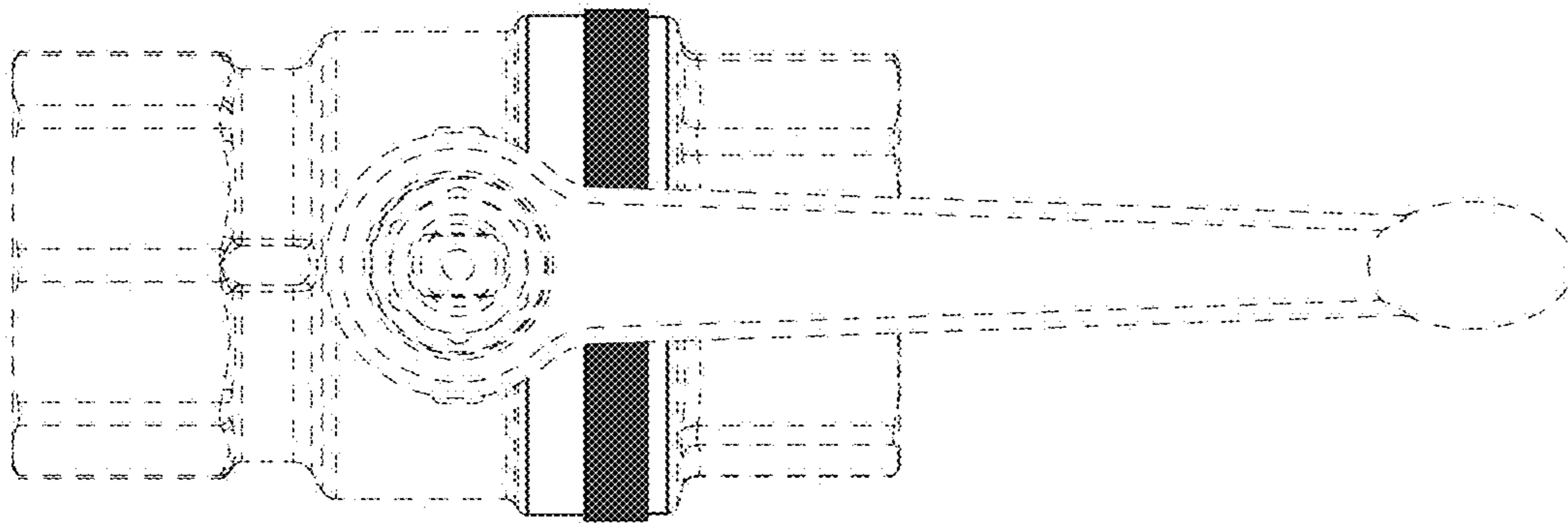


FIG. 27

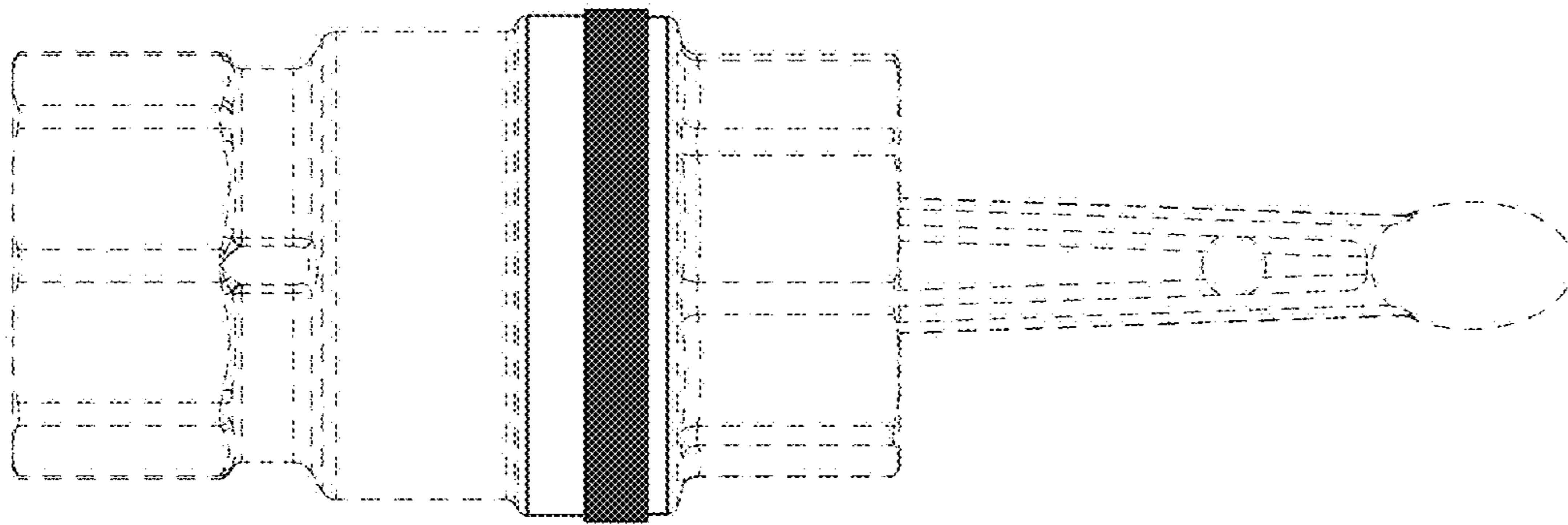


FIG. 28

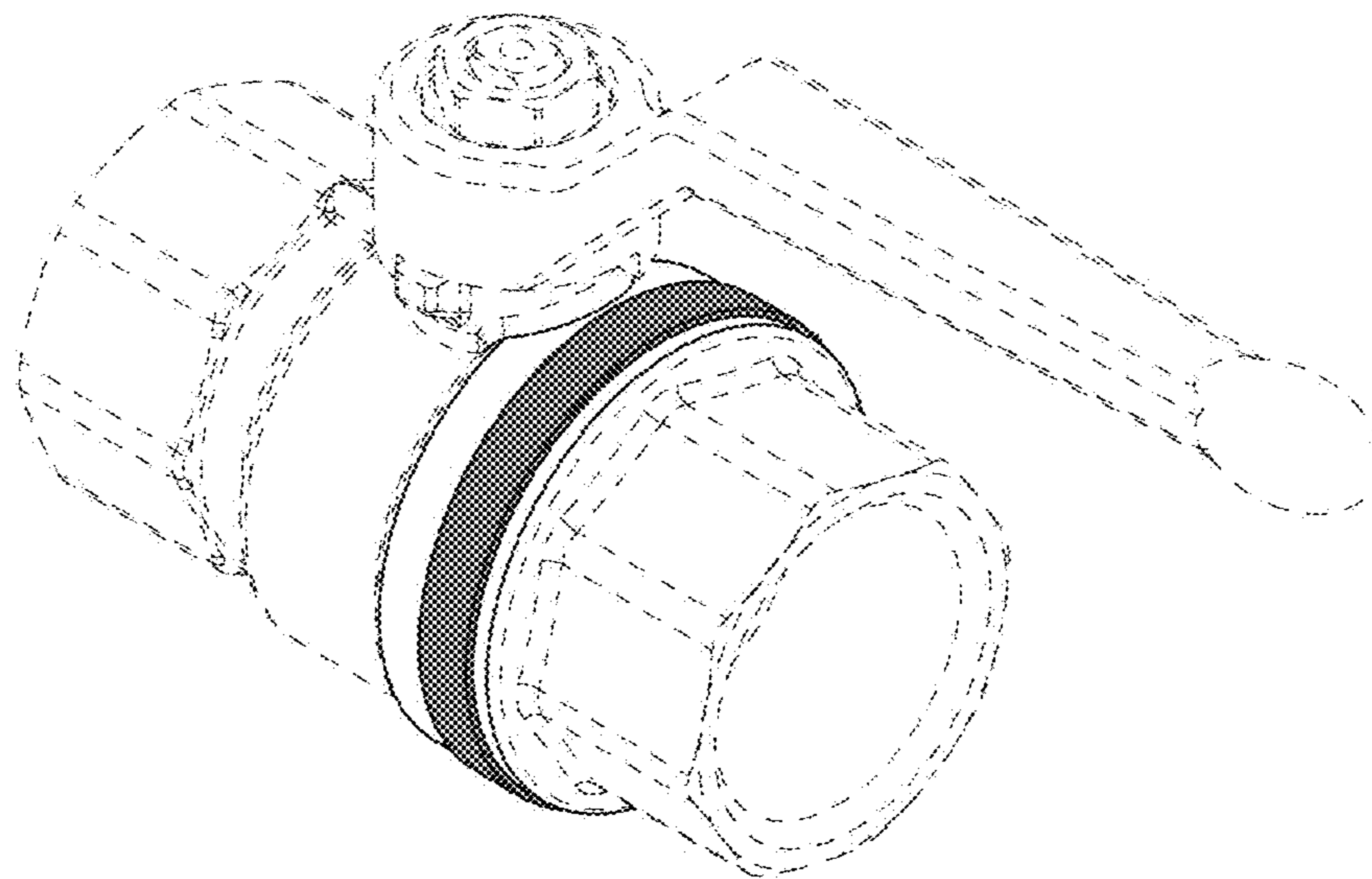


FIG. 29

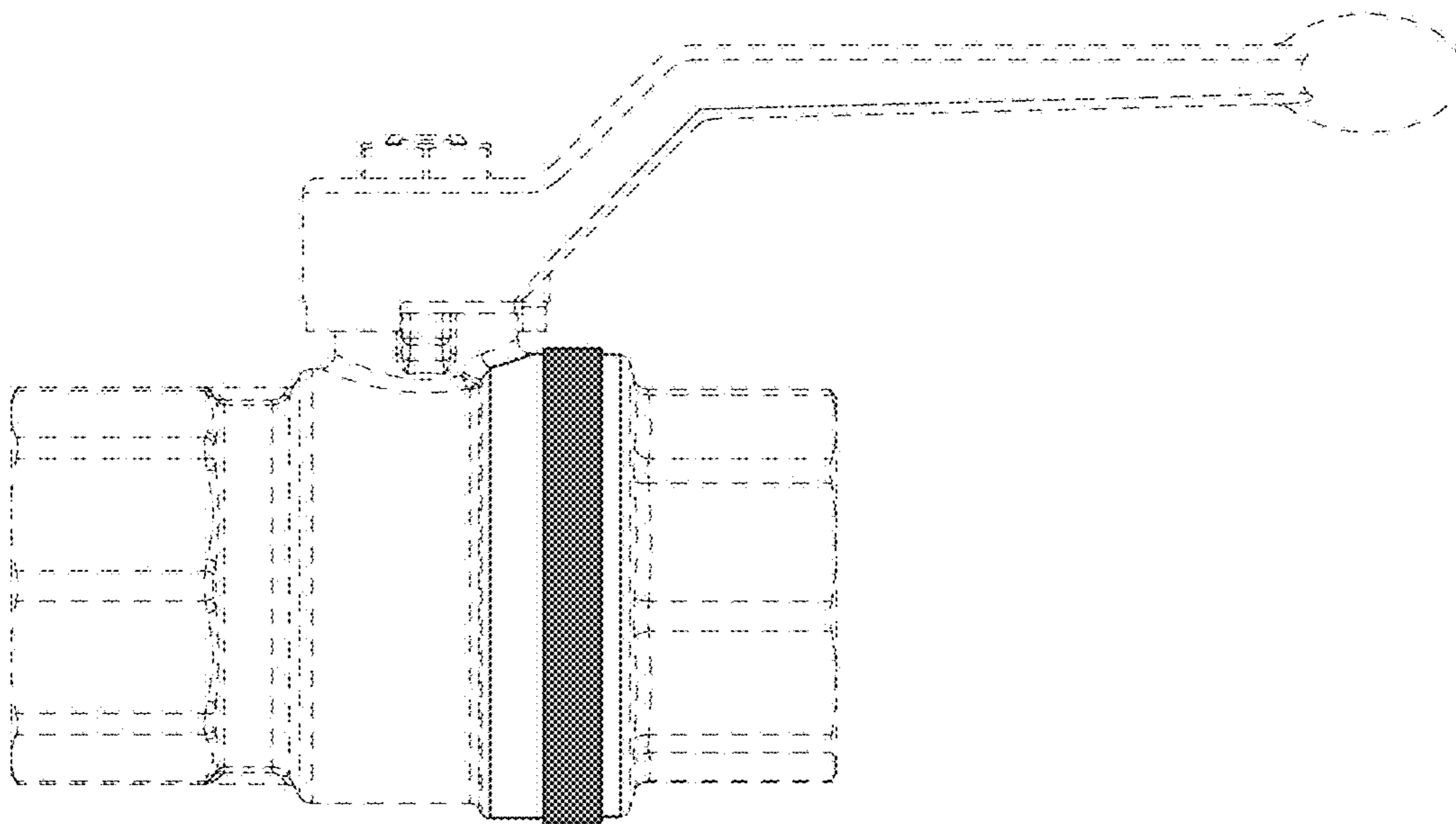


FIG. 30



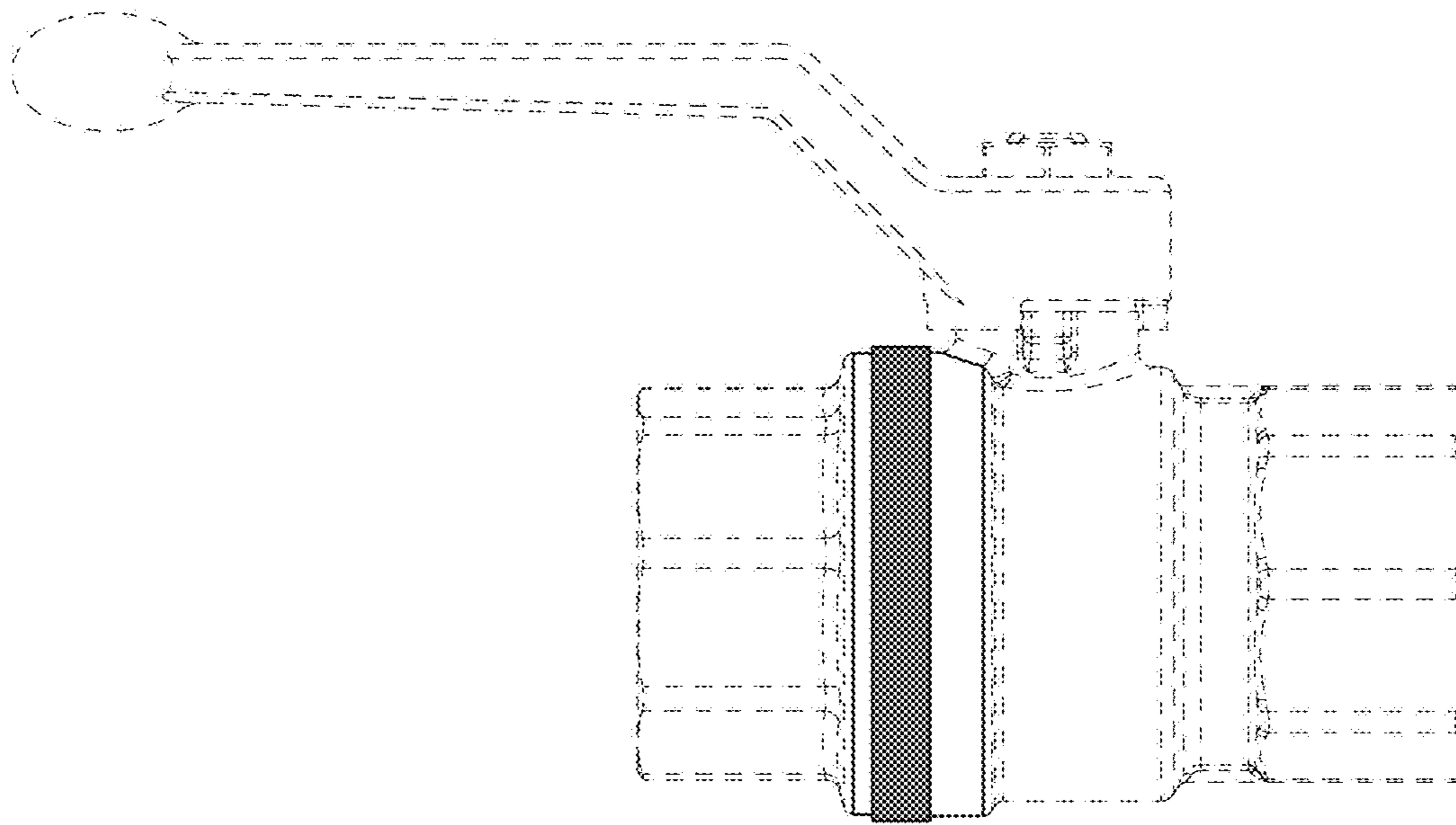


FIG. 31

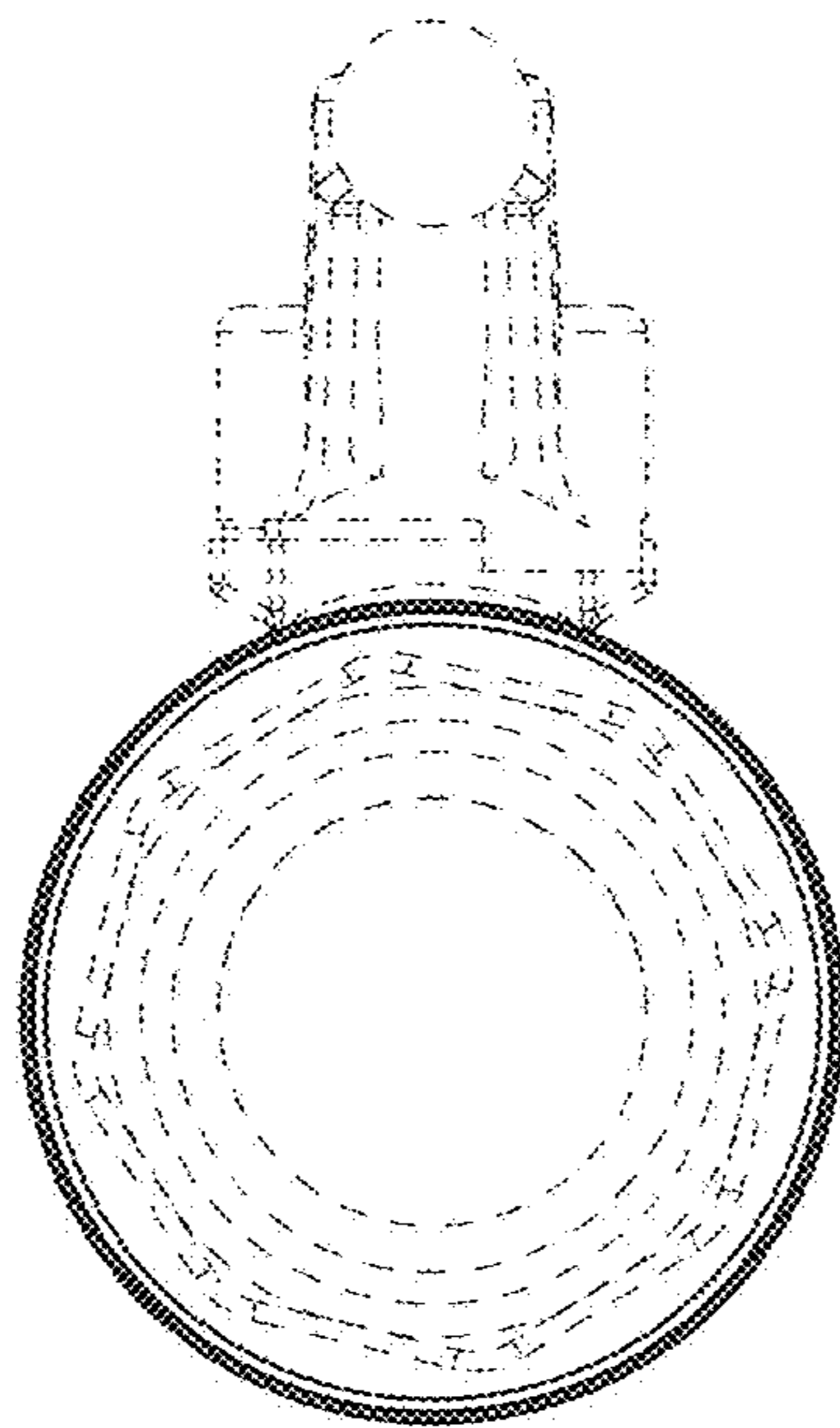


FIG. 32

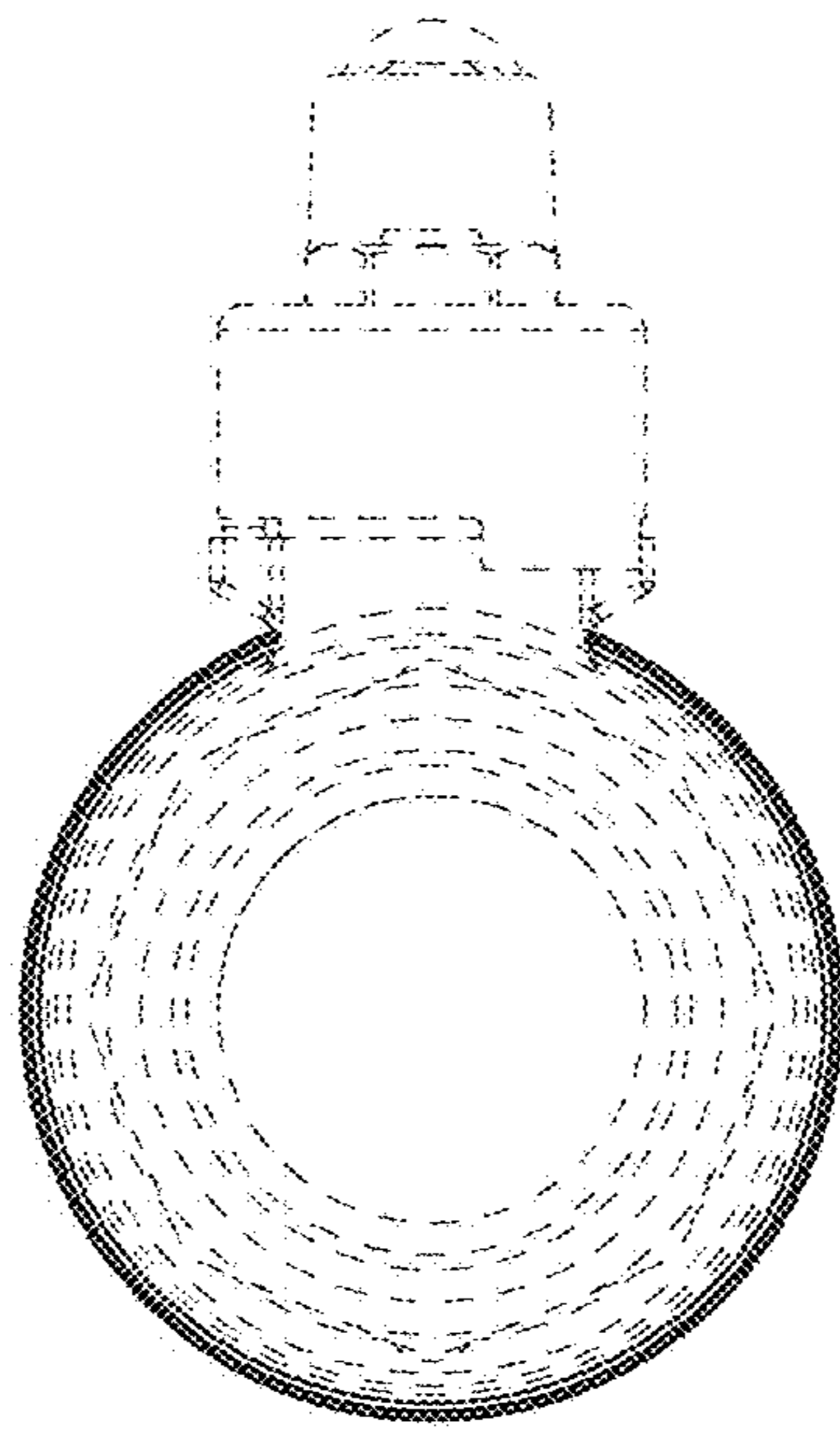


FIG. 33

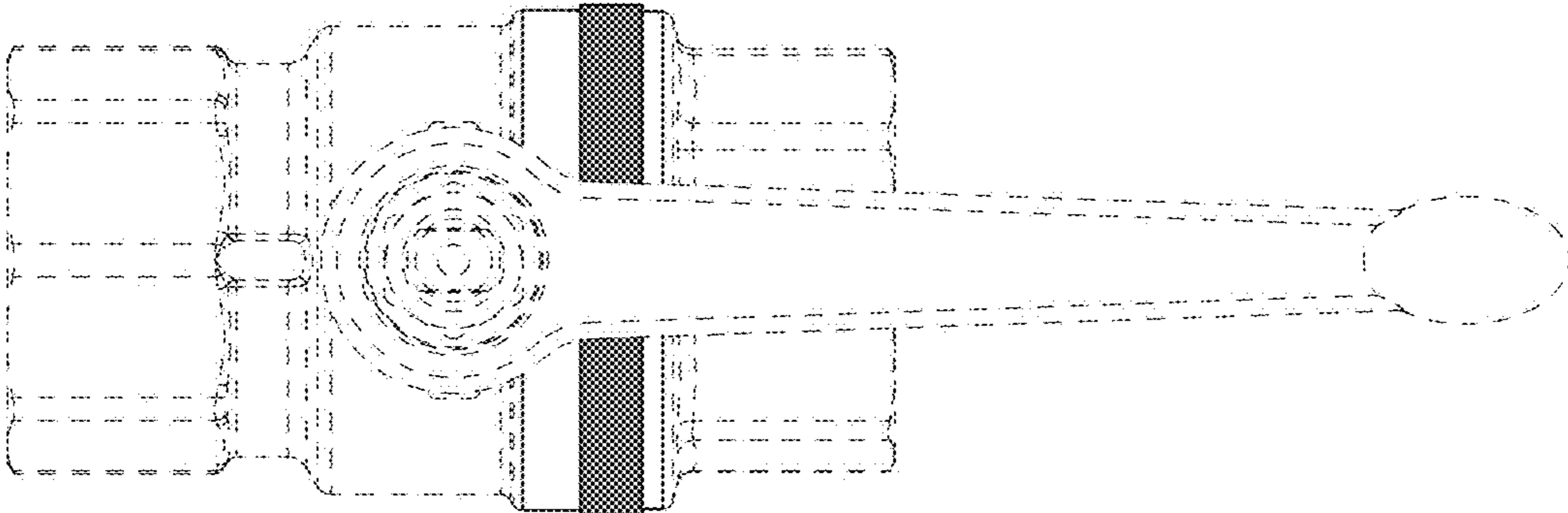


FIG. 34

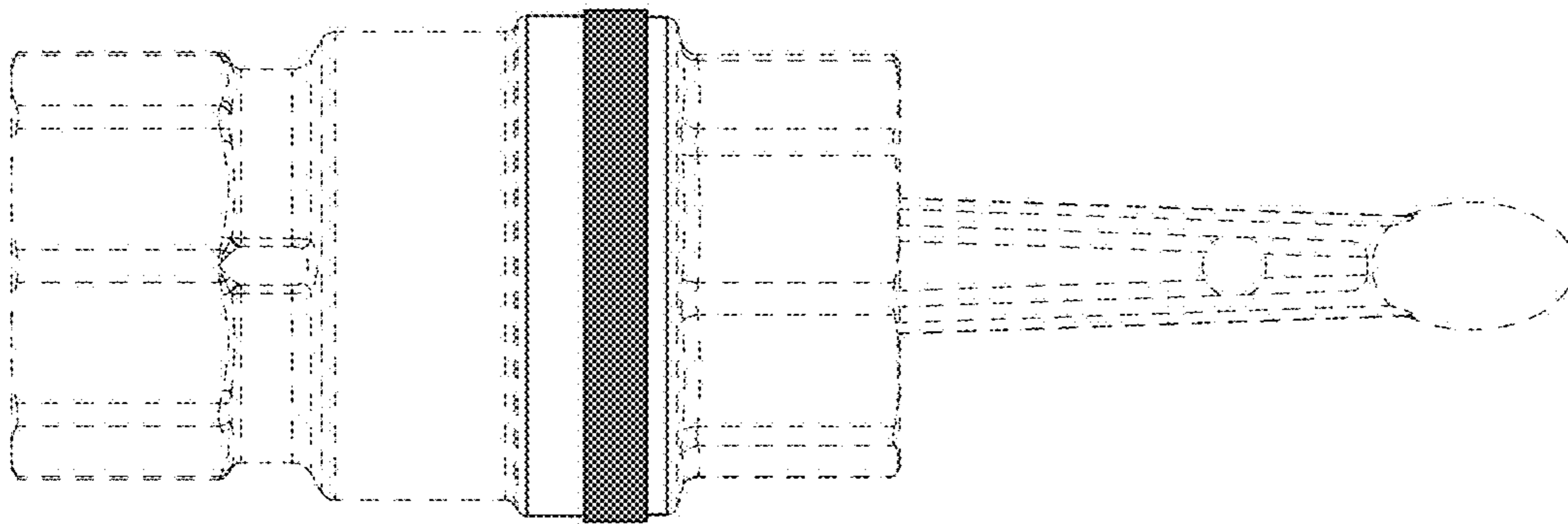


FIG. 35