



US00D966472S

(12) **United States Design Patent**
Liu

(10) **Patent No.:** **US D966,472 S**
(45) **Date of Patent:** **** Oct. 11, 2022**

- (54) **FAUCET**
- (71) Applicant: **Hongmin Liu**, Zhuzhou (CN)
- (72) Inventor: **Hongmin Liu**, Zhuzhou (CN)
- (**) Term: **15 Years**
- (21) Appl. No.: **29/864,360**
- (22) Filed: **May 23, 2022**
- (30) **Foreign Application Priority Data**
Feb. 15, 2022 (CN) 202230072906.X
- (51) **LOC (13) Cl.** **23-01**
- (52) **U.S. Cl.**
USPC **D23/255**
- (58) **Field of Classification Search**
USPC D23/238-243, 255, 257
See application file for complete search history.

D811,527 S	2/2018	Fritz	
D855,764 S *	8/2019	Song	D23/238
D873,961 S	1/2020	Garland	
D912,774 S *	3/2021	Seum	D23/238
D915,563 S *	4/2021	Seum	D23/257
D920,479 S *	5/2021	Ao	D23/238
D954,199 S *	6/2022	Zeng	D23/238
D958,301 S *	7/2022	Mai	D23/255

* cited by examiner

Primary Examiner — Robert A Delehanty

(57) **CLAIM**

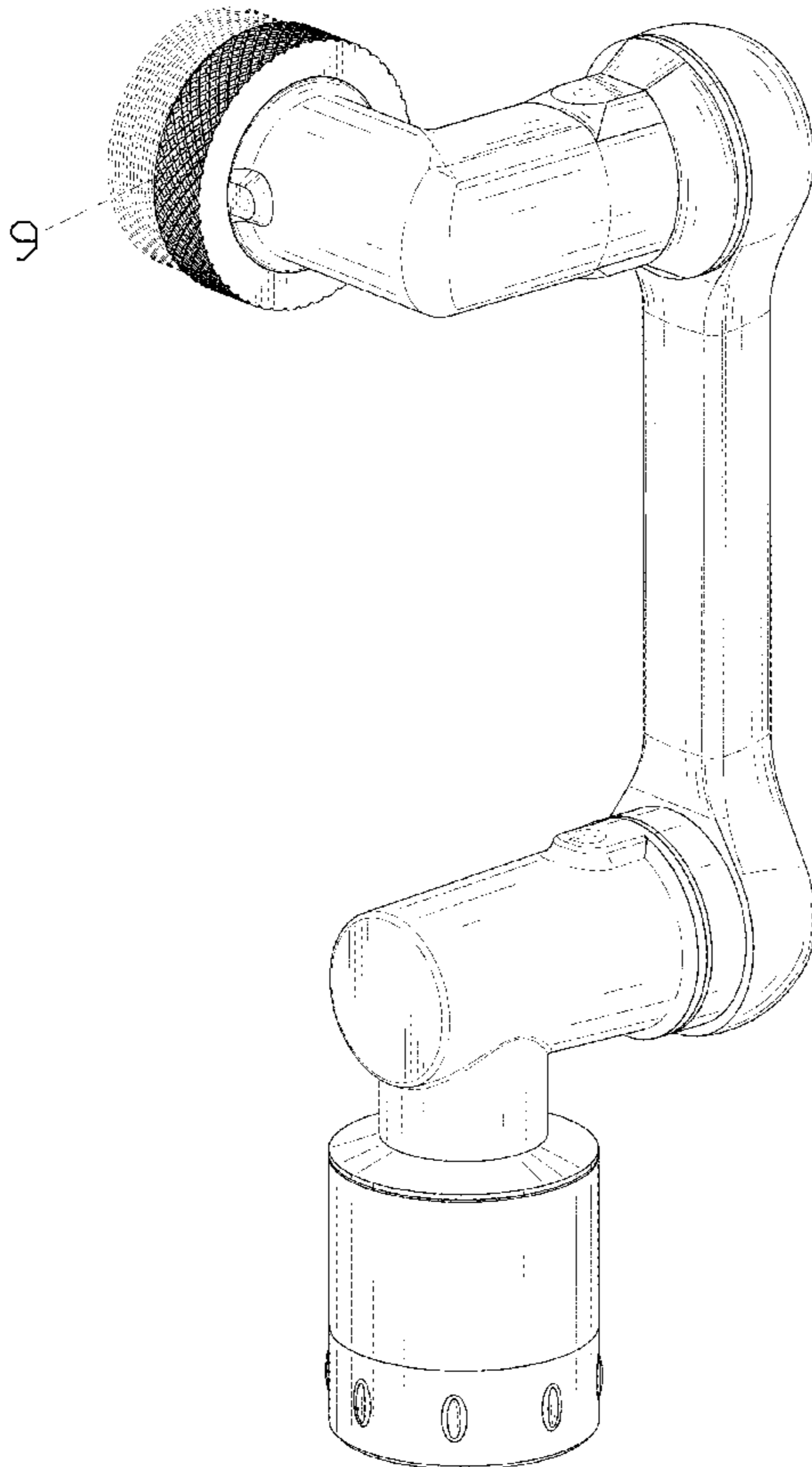
The ornamental design for a faucet, as shown and described.

DESCRIPTION

FIG. 1 is a perspective view of a faucet showing my new design;
 FIG. 2 is another perspective view thereof;
 FIG. 3 is a front elevational view thereof;
 FIG. 4 is a rear elevational view thereof;
 FIG. 5 is a left side elevational view thereof;
 FIG. 6 is a right side elevational view thereof;
 FIG. 7 is a top plan view thereof;
 FIG. 8 is a bottom plan view thereof; and,
 FIG. 9 is an enlarged view of portion 9 shown in FIG. 1.
 The dash-dash broken lines in the drawings depict portions of the faucet that form no part of the claimed design. The dot-dash broken lines represent boundaries of the enlarged portion and form no part of the claimed design.

1 Claim, 9 Drawing Sheets

- (56) **References Cited**
U.S. PATENT DOCUMENTS
D541,375 S * 4/2007 Buttgen D23/213
D576,705 S * 9/2008 McKeone D23/238
D619,220 S * 7/2010 Semchuck D23/238
D630,711 S * 1/2011 Eilmus D23/238
8,056,574 B2 * 11/2011 Erickson E03C 1/042
137/15.18
D661,378 S * 6/2012 Eilmus D23/255



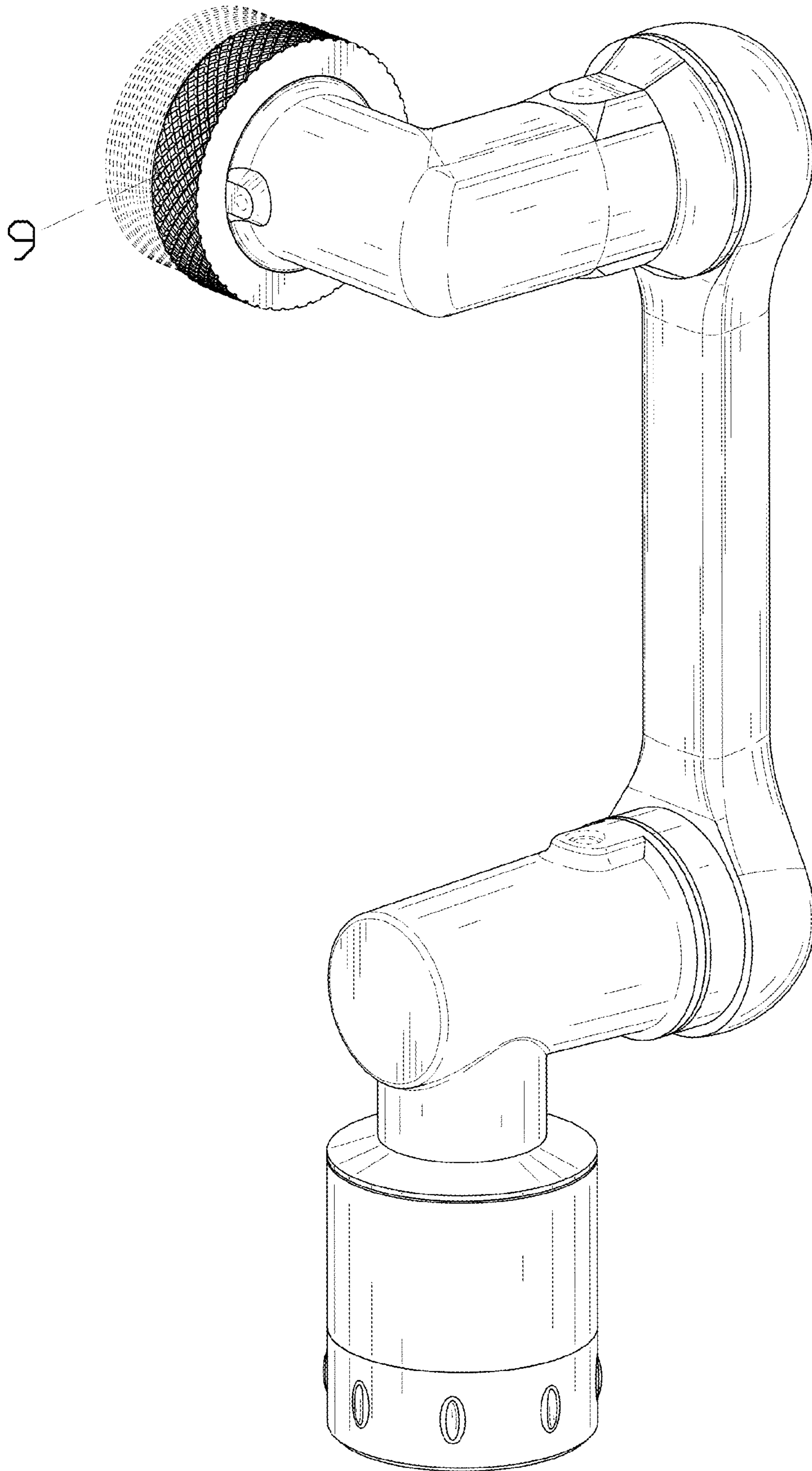


FIG. 1

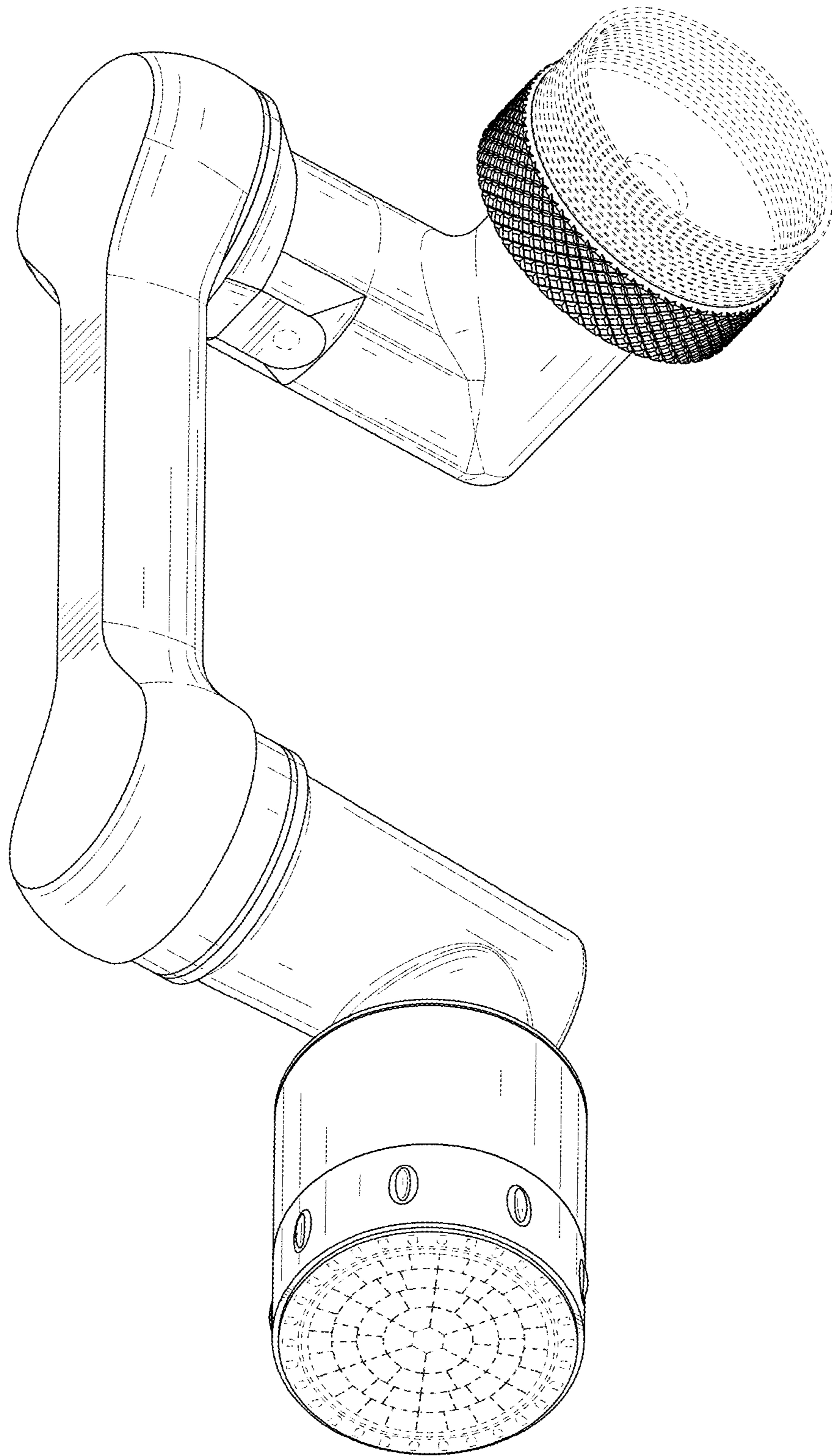


FIG. 2

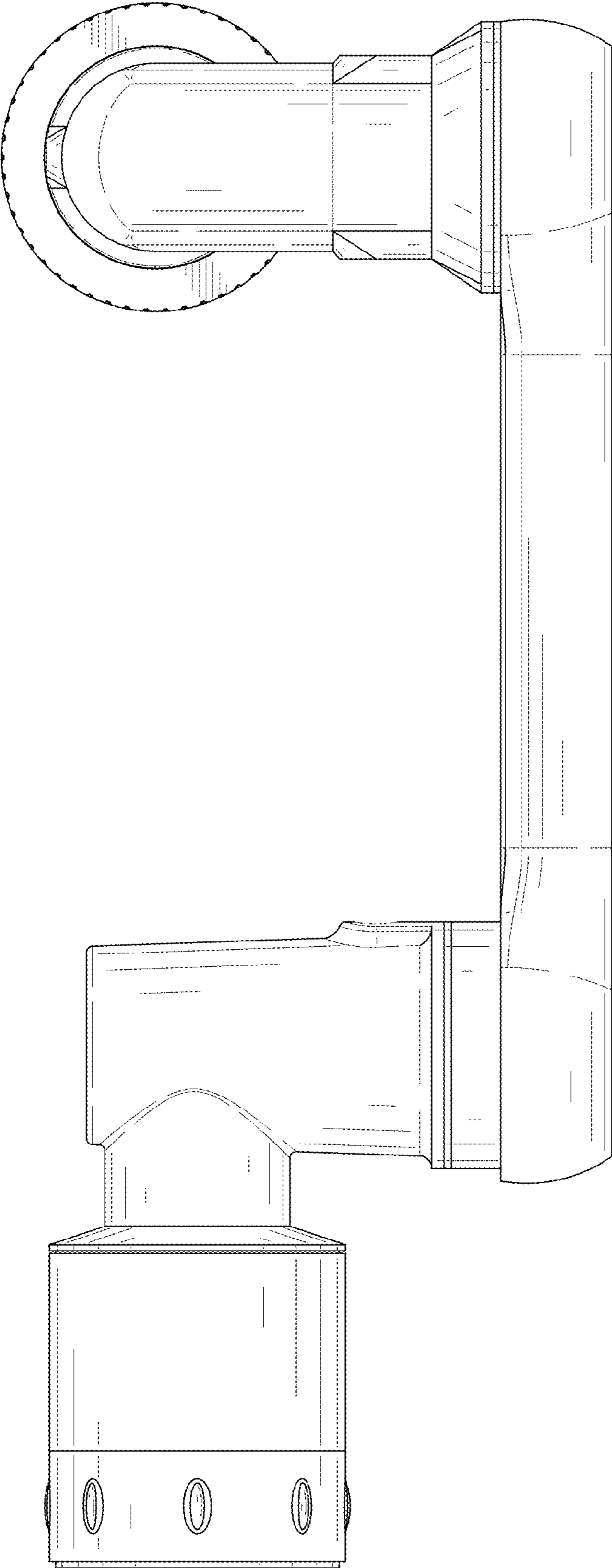


FIG. 3

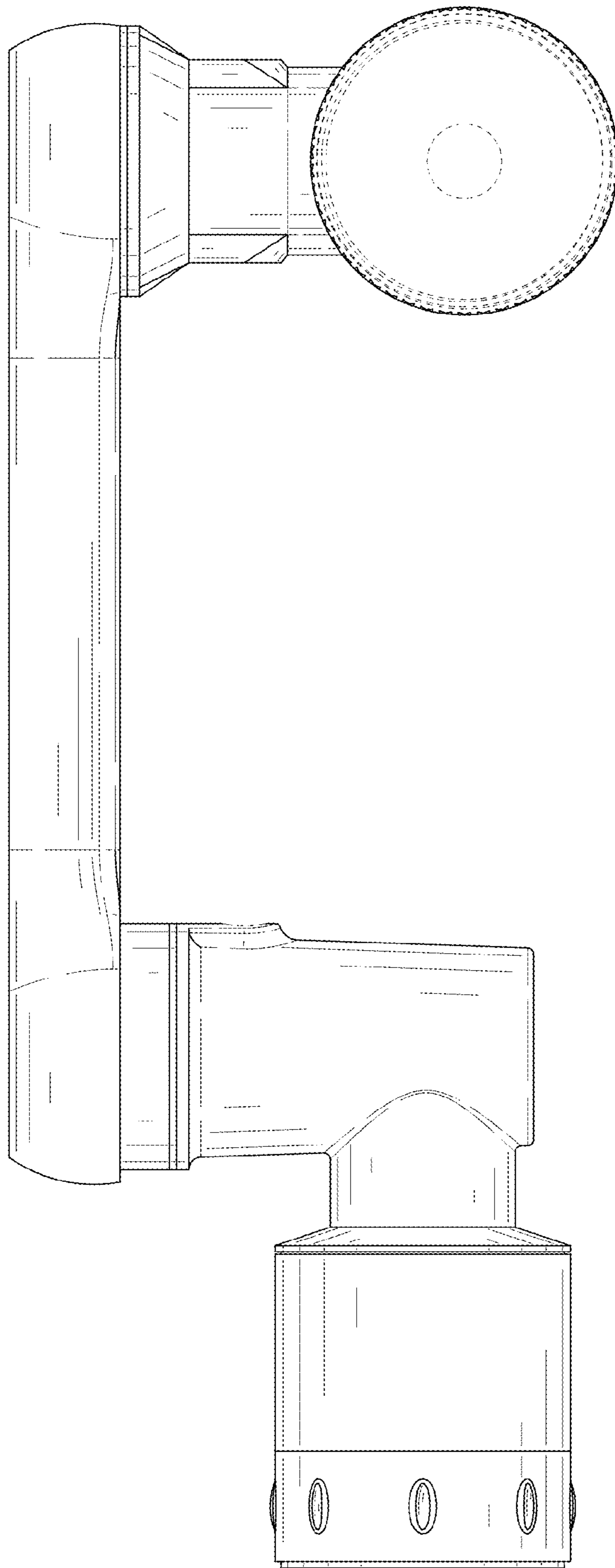


FIG. 4

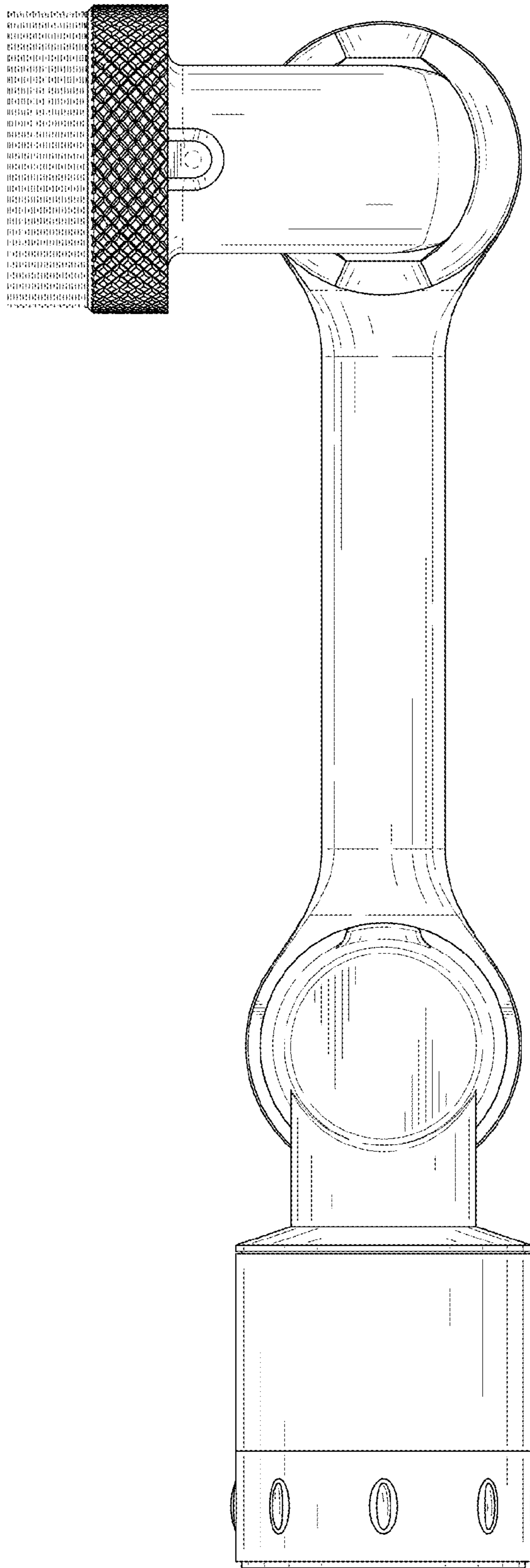


FIG. 5

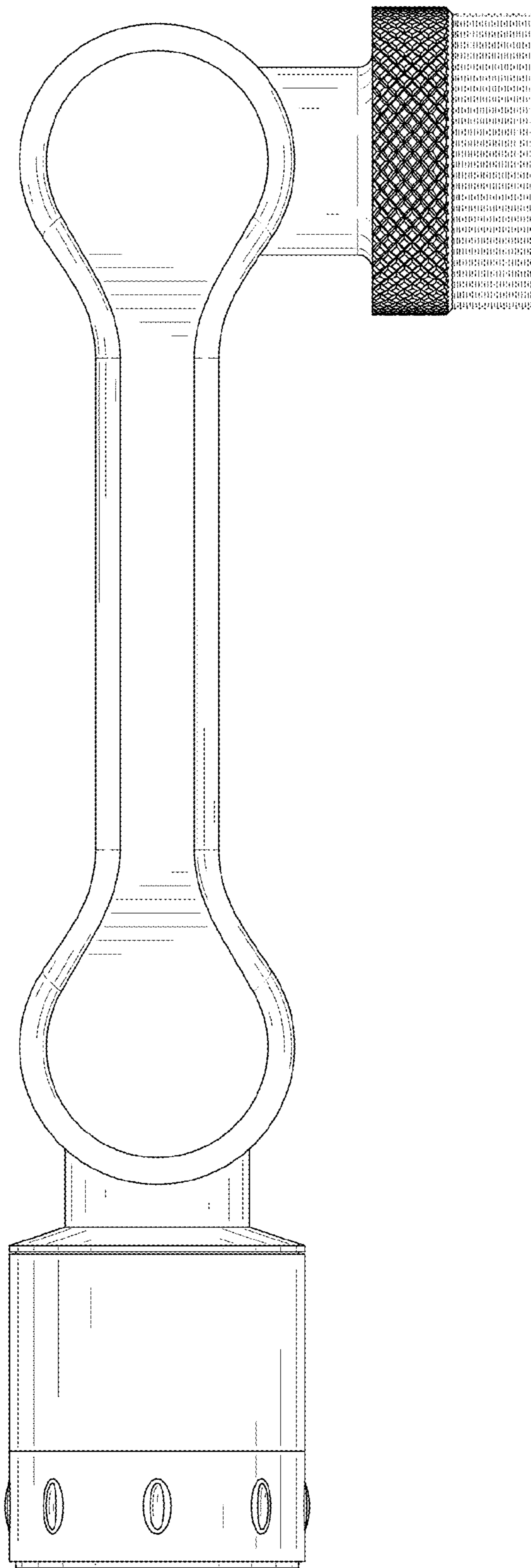


FIG. 6

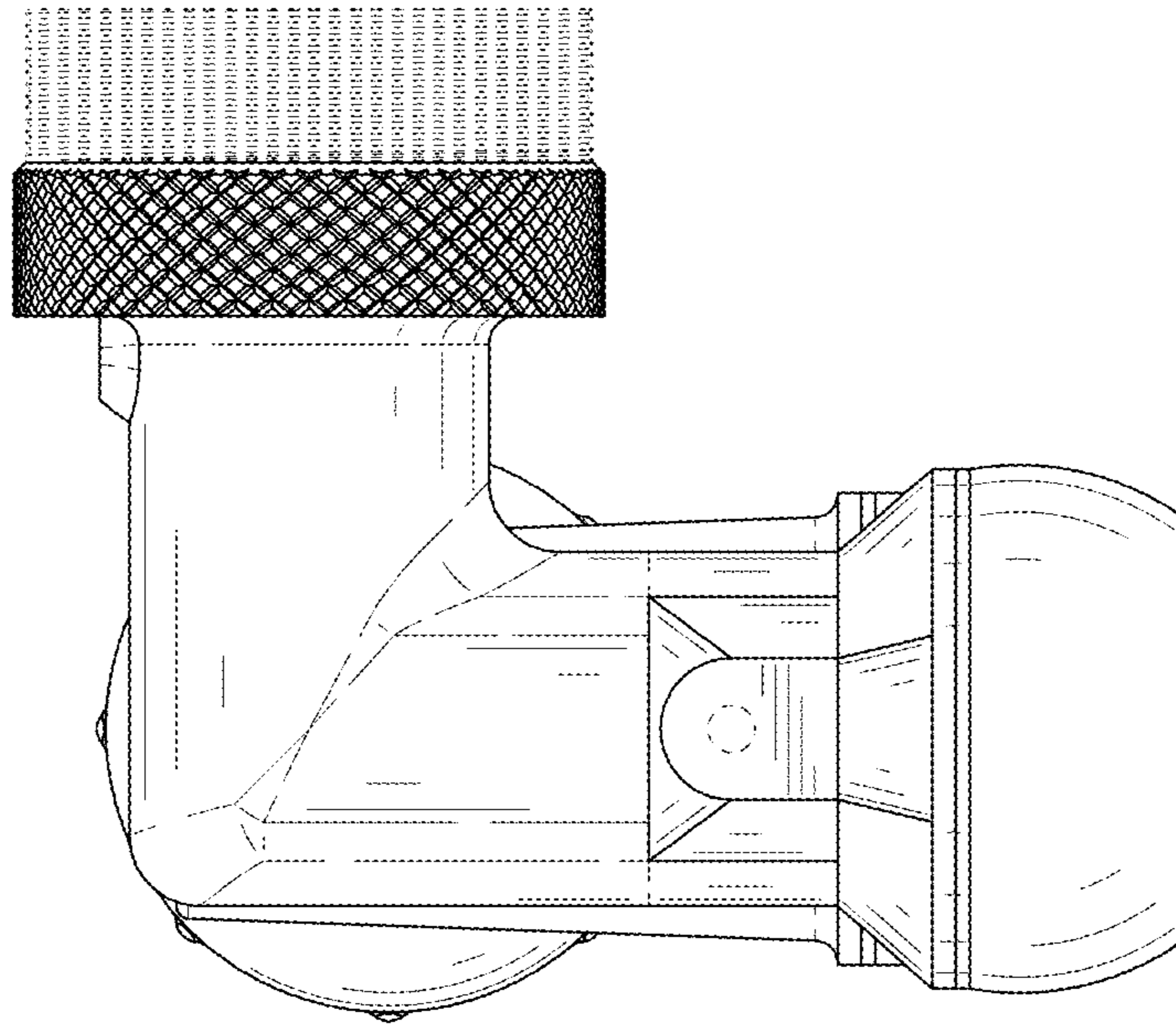


FIG. 7

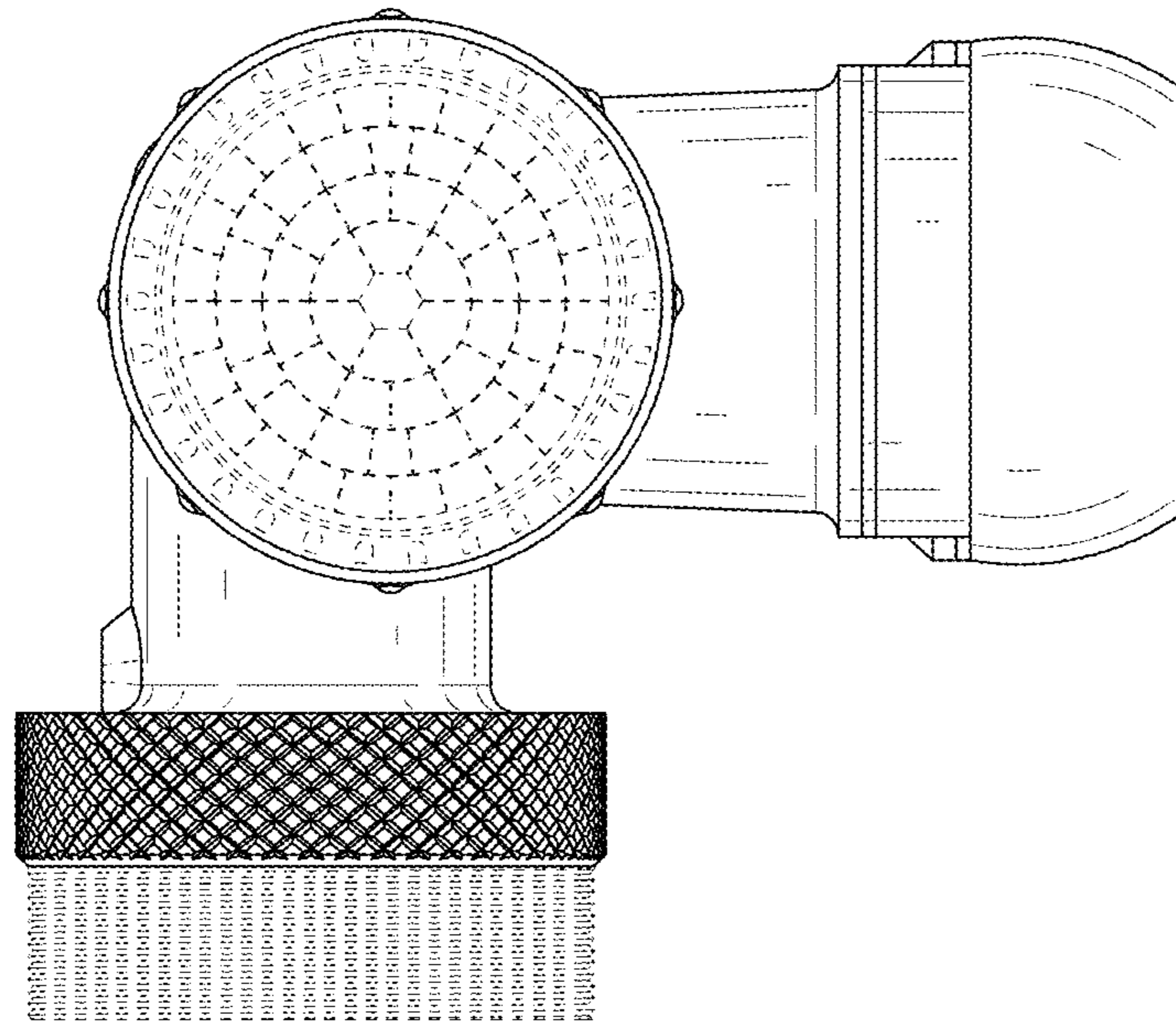


FIG. 8

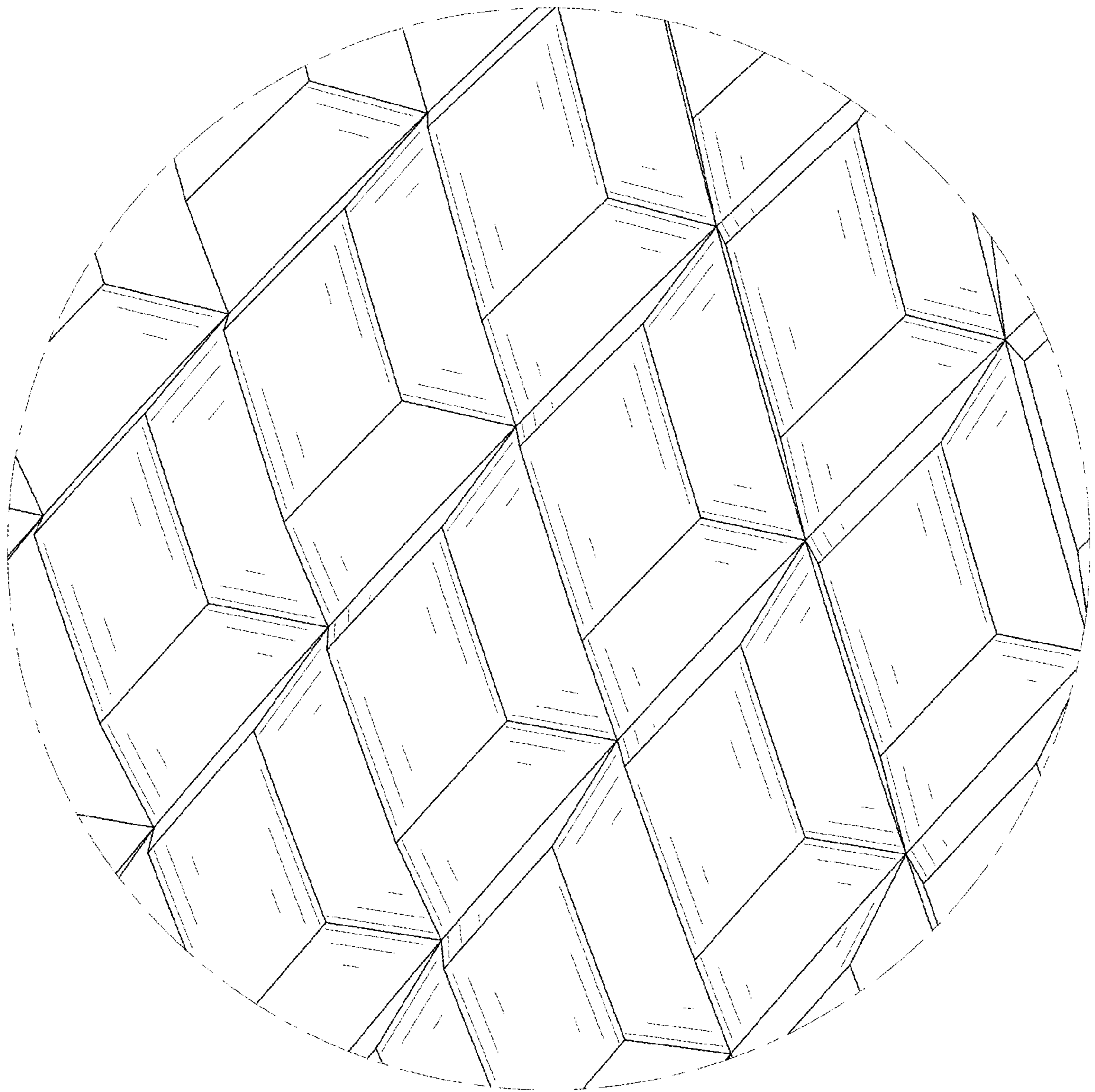


FIG. 9