



US00D966471S

(12) **United States Design Patent** (10) **Patent No.:** **US D966,471 S**  
**Johnson** (45) **Date of Patent:** **\*\* Oct. 11, 2022**

(54) **FAUCET**  
(71) Applicant: **Kohler Co.**, Kohler, WI (US)  
(72) Inventor: **Drew Johnson**, Sheboygan, WI (US)  
(73) Assignee: **Kohler Co.**, Kohler, WI (US)  
(\*\*) Term: **15 Years**  
(21) Appl. No.: **29/820,612**  
(22) Filed: **Dec. 22, 2021**

D812,195 S 3/2018 Clarke  
D812,196 S 3/2018 Clarke  
D820,399 S 6/2018 Garland  
D848,578 S 5/2019 Garland  
(Continued)

**Related U.S. Application Data**

(62) Division of application No. 29/766,240, filed on Jan. 14, 2021, now Pat. No. Des. 941,437, which is a division of application No. 29/733,394, filed on May 1, 2020, now Pat. No. Des. 908,842, which is a division of application No. 29/674,097, filed on Dec. 19, 2018, now Pat. No. Des. 895,066.

(51) **LOC (13) Cl.** ..... **23-01**  
(52) **U.S. Cl.**  
USPC ..... **D23/250**  
(58) **Field of Classification Search**  
USPC ..... D23/238–243, 249–250, 252;  
D8/307–308

See application file for complete search history.

**References Cited**

**U.S. PATENT DOCUMENTS**

D573,696 S 7/2008 Eilmus  
D577,421 S 9/2008 Williams  
D585,112 S 1/2009 Kohler et al.  
D601,682 S \* 10/2009 Schoenherr ..... D23/328  
D673,651 S \* 1/2013 Uhl ..... D23/238  
D713,939 S 9/2014 Mazz et al.  
D721,791 S \* 1/2015 Bahler ..... D23/252  
D754,301 S 4/2016 Bahler  
D795,396 S 8/2017 Kaule et al.  
D795,397 S 8/2017 Clarke  
D797,257 S 9/2017 Potter  
D797,902 S 9/2017 Georgeson

**OTHER PUBLICATIONS**

Amazon.com, Grohe 30295BE0 Essence Professional Single-Handle Kitchen Faucet, Polished Nickel [visited Jan. 18, 2022]. Internet URL: [https://www.amazon.com/dp/B07X1V48N5/ref=sspa\\_dk\\_detail\\_0?psc=1&pd\\_rd\\_w=HrxF2&pf\\_rd\\_p=54ed5474-54a8-4c7f-a88a-45f748d18166&pd\\_rd\\_wg=5m6FI&pf\\_rd\\_r=5PVRJF9E7JR4XPCWCHPE&pd\\_rd\\_r=23c151dd-6264-4a54-a434-fc1a07aabbfb&spLa=ZW5jenlwdGVkUXVhbGlmaWVyPUEwMDcyNjg0MjRITIdCNkNGRVZOWCZlbnNyeXB0ZWZWRBZEIkPUEwMDUyMzQ4T0QxSThXVUhQVjIjJndpZGldE](https://www.amazon.com/dp/B07X1V48N5/ref=sspa_dk_detail_0?psc=1&pd_rd_w=HrxF2&pf_rd_p=54ed5474-54a8-4c7f-a88a-45f748d18166&pd_rd_wg=5m6FI&pf_rd_r=5PVRJF9E7JR4XPCWCHPE&pd_rd_r=23c151dd-6264-4a54-a434-fc1a07aabbfb&spLa=ZW5jenlwdGVkUXVhbGlmaWVyPUEwMDcyNjg0MjRITIdCNkNGRVZOWCZlbnNyeXB0ZWZWRBZEIkPUEwMDUyMzQ4T0QxSThXVUhQVjIjJndpZGldE).

(Continued)

*Primary Examiner* — Robert A Delehanty  
(74) *Attorney, Agent, or Firm* — Patterson Thuente Pedersen, P.A.

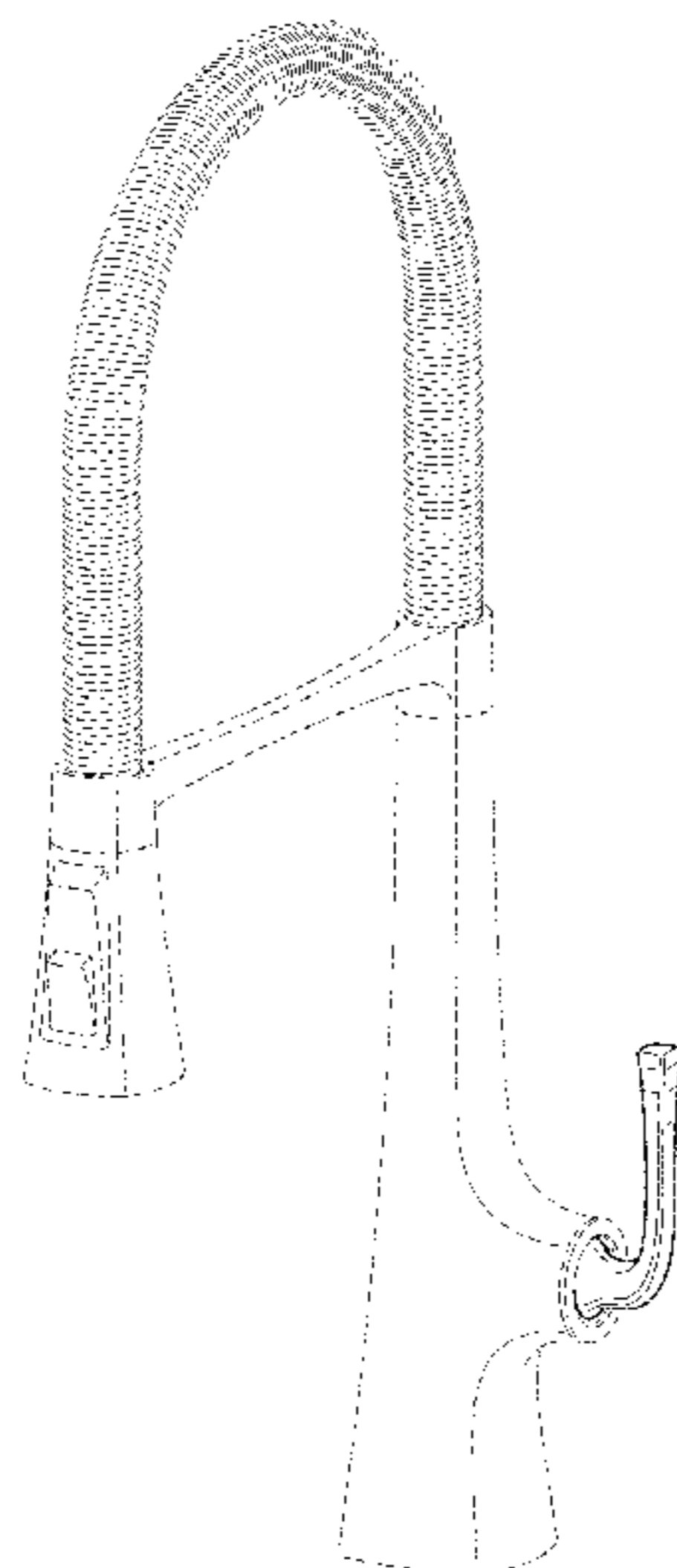
(57) **CLAIM**

I claim the ornamental design for a faucet, as shown and described.

**DESCRIPTION**

FIG. 1 is a perspective view of the claimed design; FIG. 2 is a side view of the design of FIG. 1; FIG. 3 is another side view of the design of FIG. 1; FIG. 4 is a front view of the design of FIG. 1; FIG. 5 is a rear view of the design of FIG. 1; FIG. 6 is a top view of the design of FIG. 1; and, FIG. 7 is a bottom view of the design of FIG. 1. The ornamental design which is claimed is shown in solid lines in the drawings. The broken lines in the drawings are for illustrative purposes only and form no part of the claimed design. Broken lines formed of unequal length dashes (i.e., dash-dot) define bounds of the claimed design.

**1 Claim, 5 Drawing Sheets**



(56)

**References Cited**

U.S. PATENT DOCUMENTS

D852,325 S	6/2019	Eads	
D855,158 S	* 7/2019	Eads	..... D23/238
D857,166 S	8/2019	Spangler	
D861,832 S	10/2019	Zeng	
D867,526 S	11/2019	Garland	
D867,527 S	11/2019	Eads	
D895,068 S	9/2020	Johnson	

OTHER PUBLICATIONS

Amazon.com, hansgrohe Talis Loop Kitchen Faucet 1-Handle -inch Tall in Chrome, 04700005 [visited Jan. 18, 2022]. Internet URL: [https://www.amazon.com/Hansgrohe-04700005-Kitchen-Faucet-Height/dp/B077JHLP5Y/ref=sr\\_1\\_45?keywords=kitchen faucet square &qid=1638755450&sr=8-45](https://www.amazon.com/Hansgrohe-04700005-Kitchen-Faucet-Height/dp/B077JHLP5Y/ref=sr_1_45?keywords=kitchen+faucet+square&qid=1638755450&sr=8-45).

Amazon.com, Peerless Xander Single-Handle Kitchen Sink Faucet with Pull Down Sprayer, Chrome P7919LF [visited Jan. 18, 2022]. Internet URL: [https://www.amazon.com/Peerless-Single-Handle-Kitchen-Sprayer-P7919LF/dp/B079SXZJC8/ref=sr\\_1\\_123?keywords=kitchenfaucet&qid=1639154032&sr=8-123](https://www.amazon.com/Peerless-Single-Handle-Kitchen-Sprayer-P7919LF/dp/B079SXZJC8/ref=sr_1_123?keywords=kitchenfaucet&qid=1639154032&sr=8-123).

Deltafaucet.com, Contemporary Square Instant Hot Water Dispenser In Chrome [visited Jan. 18, 2022]. Internet URL: <https://www.deltafaucet.com/kitchen/product/1940LF-H.html>.

Deltafaucet.com, Mateo? Single Handle Pull-Down Bar / Prep Faucet With Touch2O? Technology In Chrome [visited Jan. 18, 2022]. Internet URL: <https://www.deltafaucet.com/kitchen/product/9983T-DST.html>.

Deltafaucet.com, Orson™ Single Handle Pull-down Kitchen Faucet with Soap Dispenser And ShieldSpray Technology In Spotshield Stainless [visited Jan. 18, 2022]. Internet URL: <https://www.deltafaucet.com/kitchen/product/19811Z-SPSD-DST.html>.

Grohe.us, Single-Handle Pull Down Kitchen Faucet Dual Spray 1.75 GPM [visited Jan. 18, 2022]. Internet URL: <https://www.grohe.us/Single-Hole-Pull-Down-Faucets/Single-Handle-Pull-Down-Kitchen-Faucet-Dual-Spray-175-GPM/GROHE-CHROME-30365000>.

Moen.com, Indi Spot Resist Stainless One-Handle Pre-Rinse Spring High Arc Pulldown Kitchen Faucet [visited Jan. 18, 2022]. Internet URL: <https://www.moen.com/products/Indi/Indi-Spot-resist-stainless-one-handle-pre-rinse-spring-high-arc-pulldown-kitchen-faucet/87194SRS>.

Moen.com, Kiran Spot Resist Stainless One-Handle High Arc Pulldown Kitchen Faucet [visited Jan. 18, 2022]. Internet URL: <https://www.moen.com/products/Kiran/Kiran-Spot-Resist-Stainless-One-Handle-High-Arc-Pulldown-Kitchen-Faucet/87599SRS>.

Moen.com, Sleek Chrome One-Handle Pulldown Kitchen Faucet [visited Jan. 18, 2022]. Internet URL: <https://www.moen.com/products/Sleek/Sleek-Chrome-One-Handle-Pulldown-Kitchen-Faucet/5925>.

\* cited by examiner

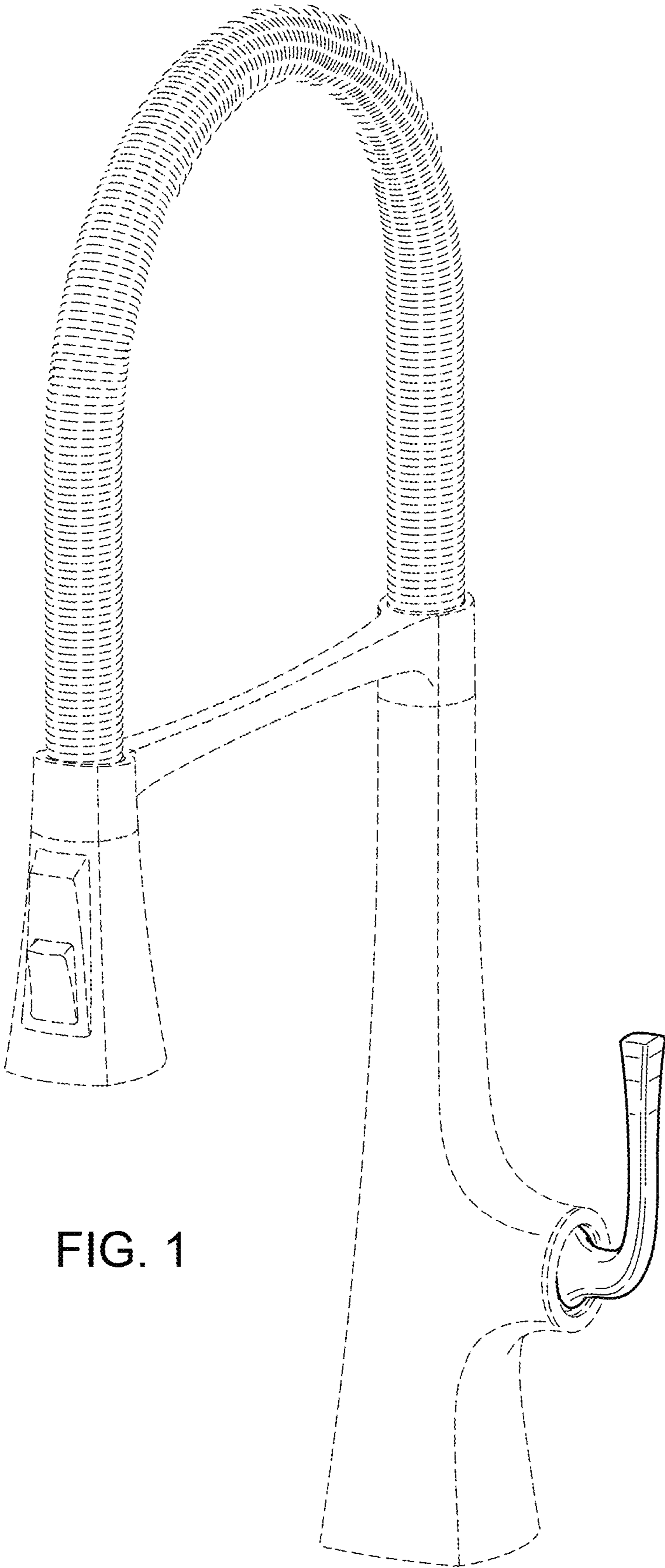


FIG. 1

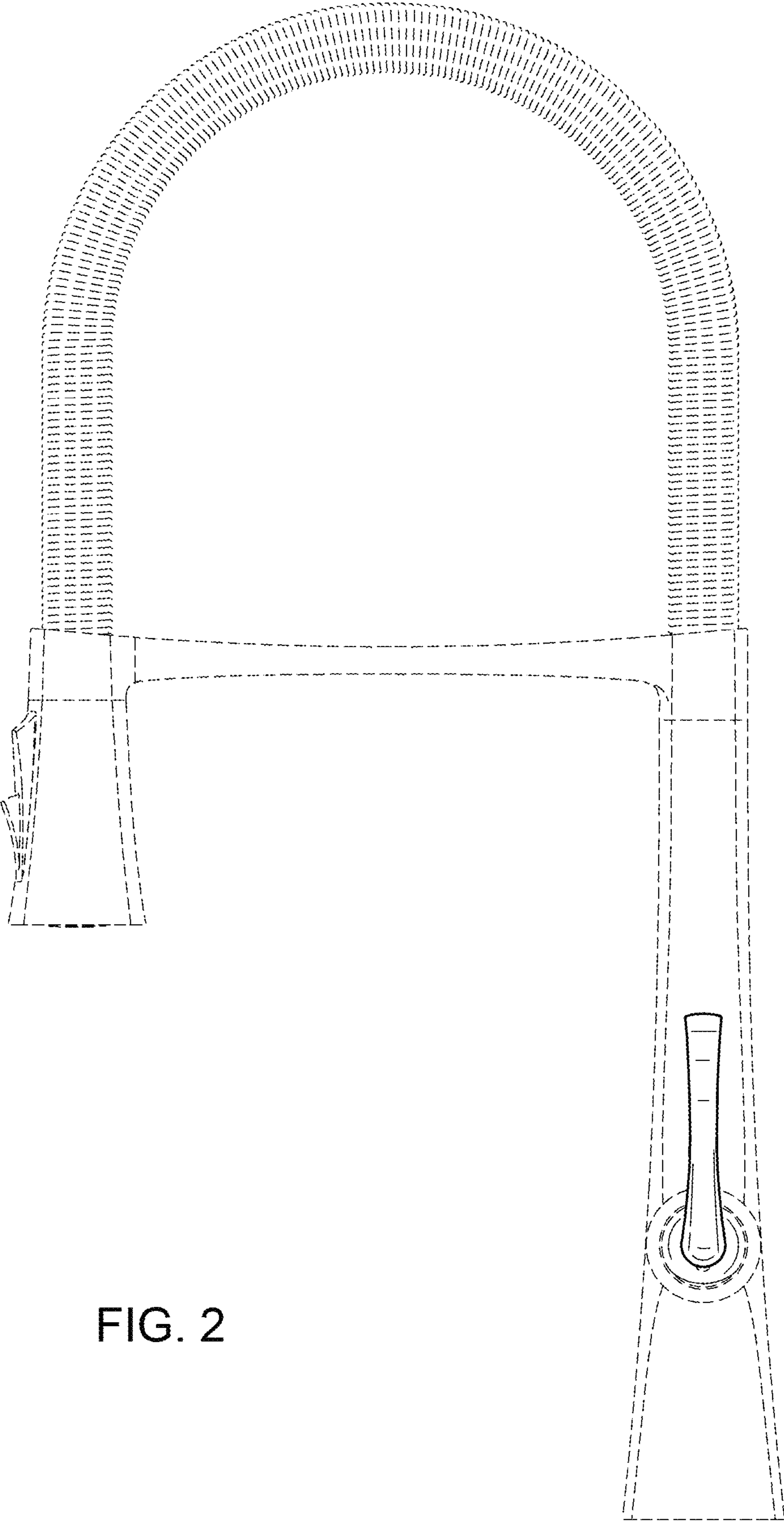


FIG. 2

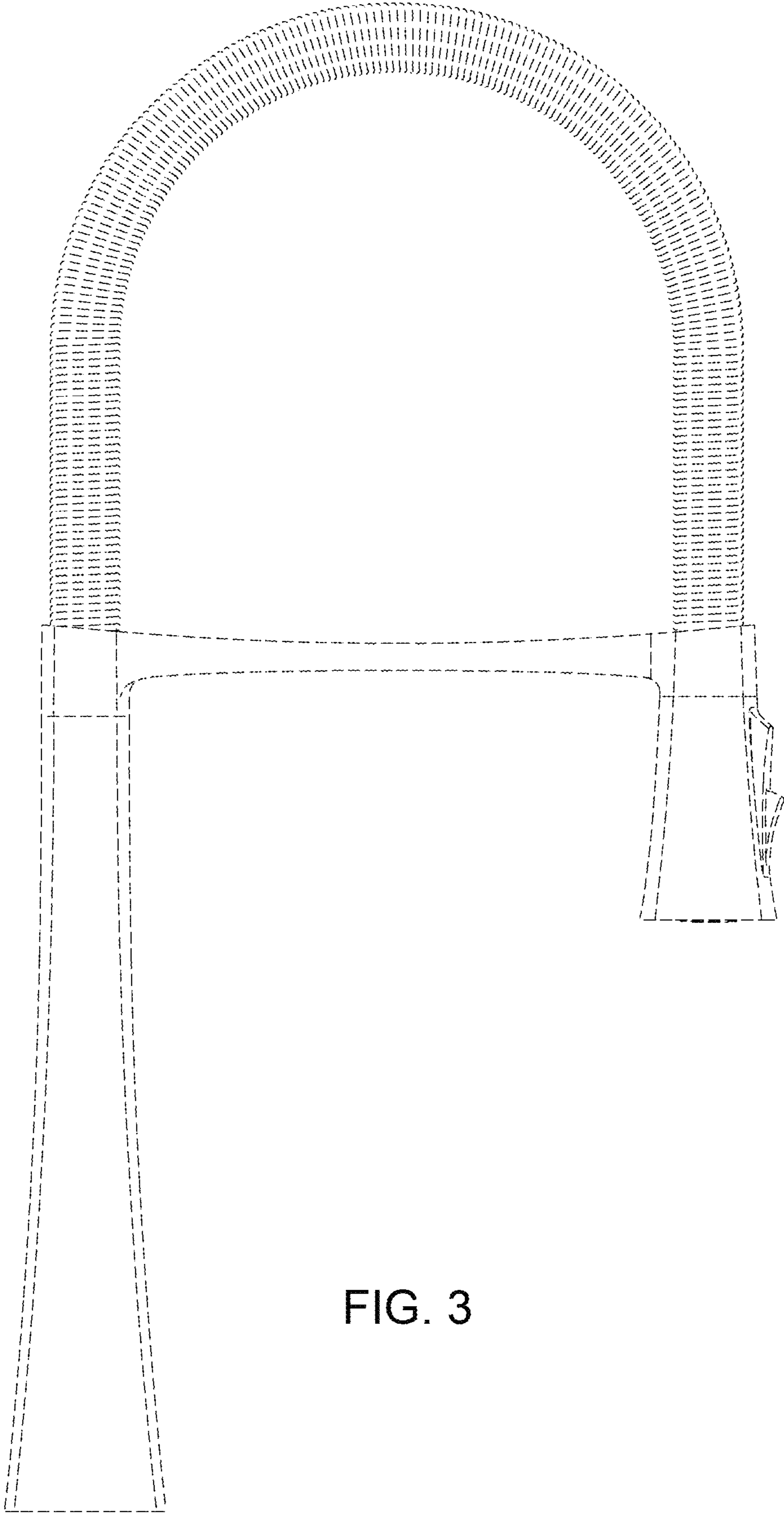


FIG. 3

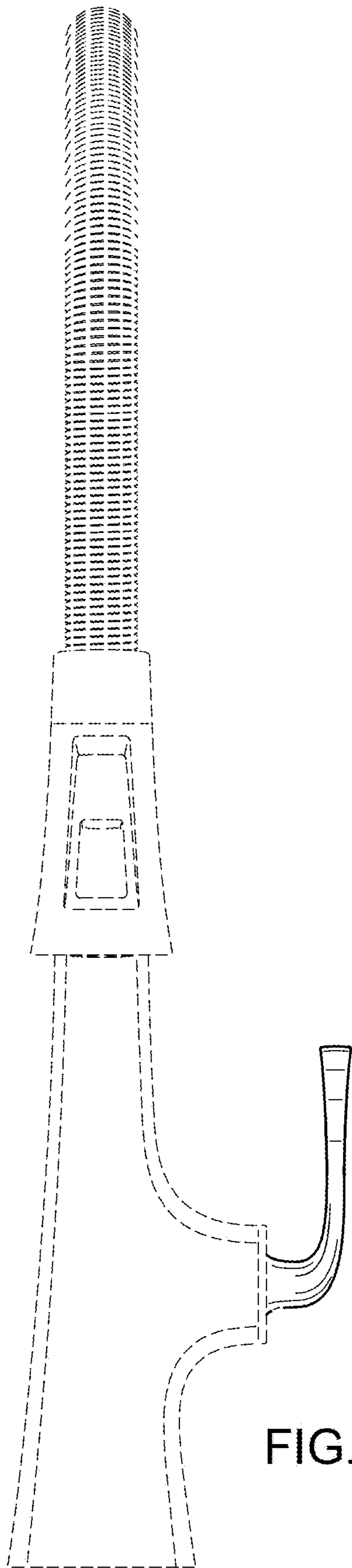


FIG. 4

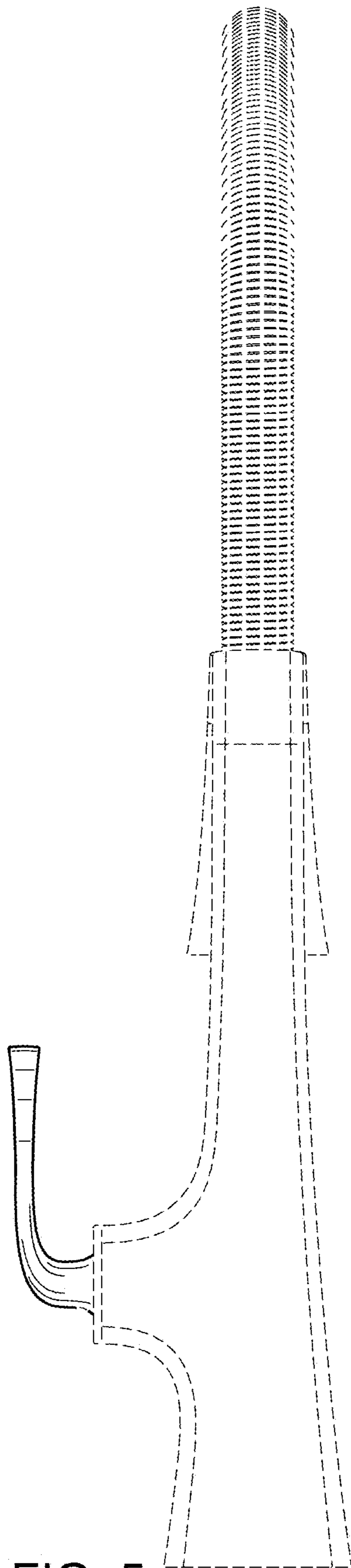


FIG. 5

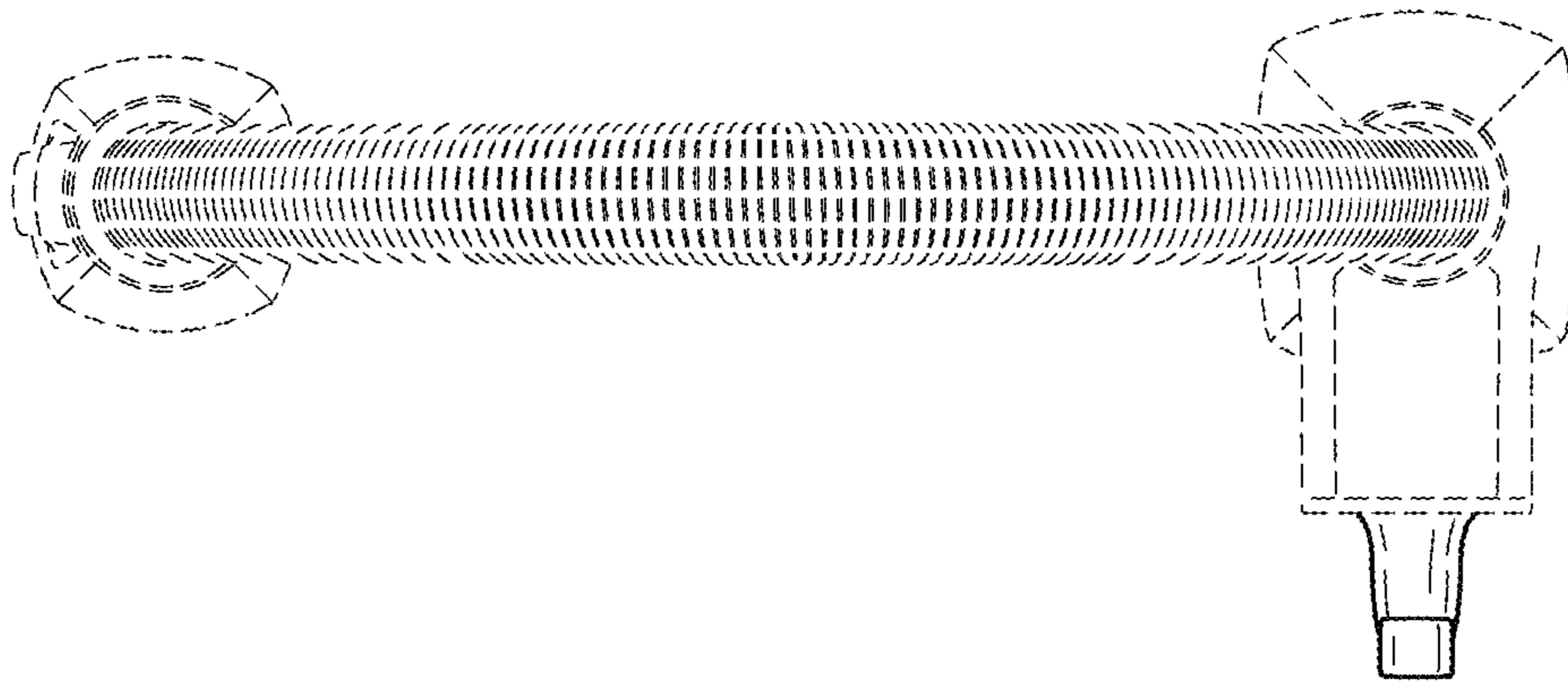


FIG. 6

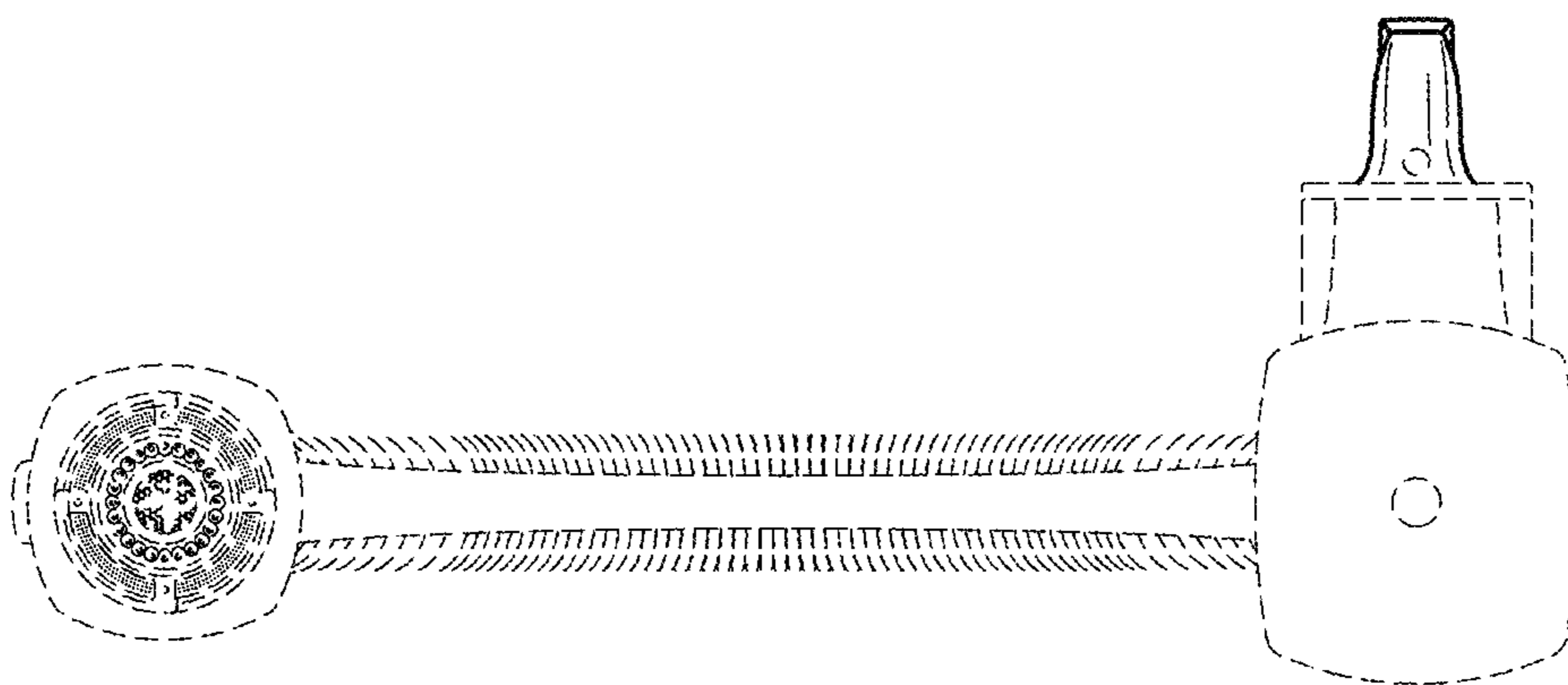


FIG. 7