



US00D966470S

(12) **United States Design Patent**
Earp

(10) **Patent No.:** **US D966,470 S**

(45) **Date of Patent:** **** Oct. 11, 2022**

(54) **FAUCET HANDLE**

(71) Applicant: **DELTA FAUCET COMPANY,**
Indianapolis, IN (US)

(72) Inventor: **Travis Earp,** Osprey, FL (US)

(73) Assignee: **DELTA FAUCET COMPANY,**
Indianapolis, IN (US)

(**) Term: **15 Years**

(21) Appl. No.: **29/775,358**

(22) Filed: **Mar. 23, 2021**

(51) **LOC (13) Cl.** **23-01**

(52) **U.S. Cl.**
USPC **D23/250**

(58) **Field of Classification Search**
USPC D23/238–243, 249–250, 252;
D8/307–308, 300, 310; D7/393
See application file for complete search history.

(56) **References Cited**

U.S. PATENT DOCUMENTS

D665,878 S * 8/2012 Flowers D23/250
D796,639 S * 9/2017 Sieger D23/250

D810,887 S * 2/2018 Schoenherr D23/254
D915,559 S * 4/2021 Seum D23/250
D923,151 S * 6/2021 Park D23/252

* cited by examiner

Primary Examiner — Robert A Delehanty

(74) *Attorney, Agent, or Firm* — Nirav D. Parikh; Jeffrey
L. Doyle

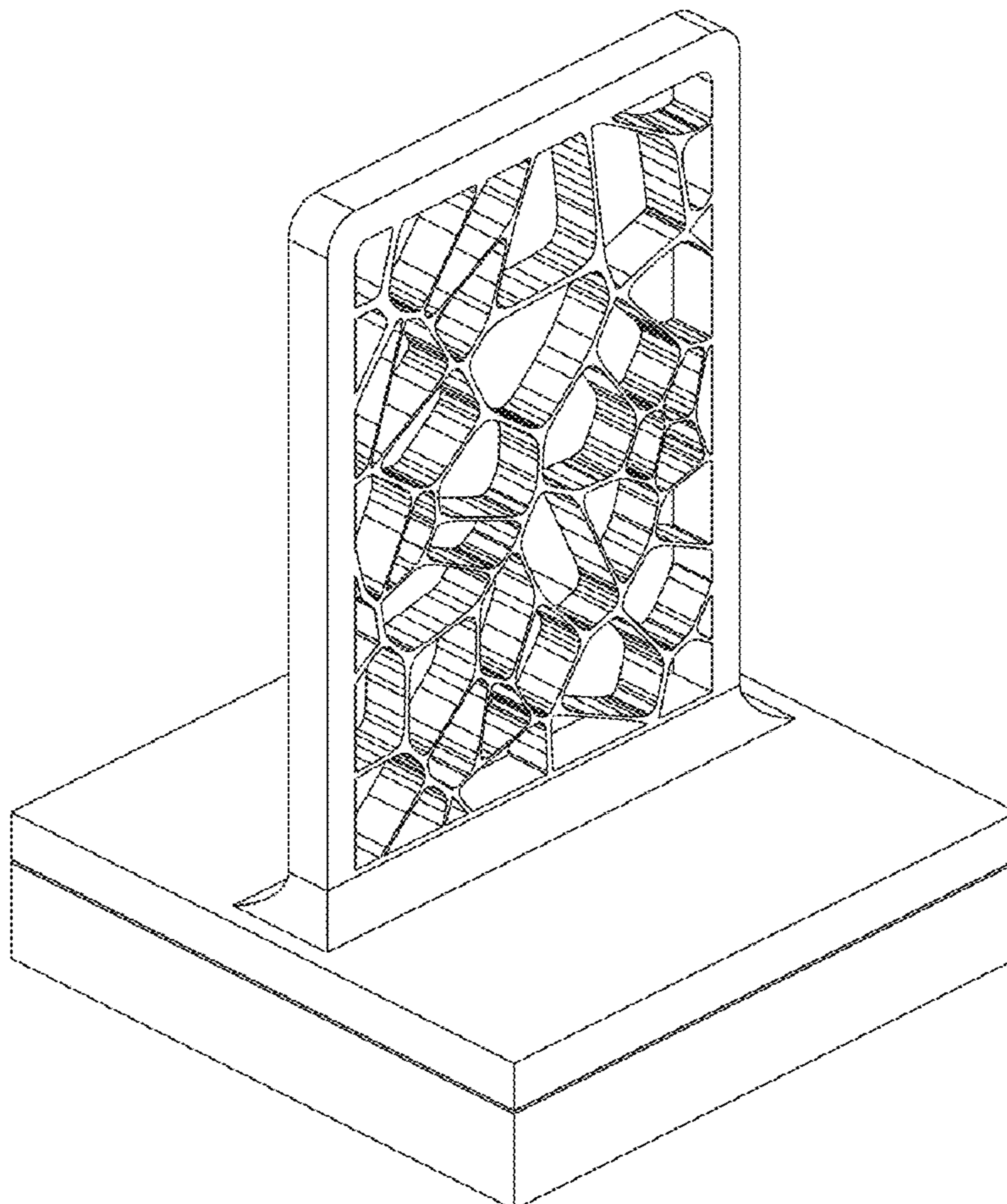
(57) **CLAIM**

The ornamental design for a faucet handle, as shown and described.

DESCRIPTION

FIG. 1 is a front perspective view of a faucet handle showing my new design;
FIG. 2 is a rear perspective view thereof;
FIG. 3 is a front elevational view thereof;
FIG. 4 is a left side view thereof;
FIG. 5 is a rear view thereof;
FIG. 6 is a right side view thereof;
FIG. 7 is a top plan view thereof; and,
FIG. 8 is a bottom view thereof.

1 Claim, 4 Drawing Sheets



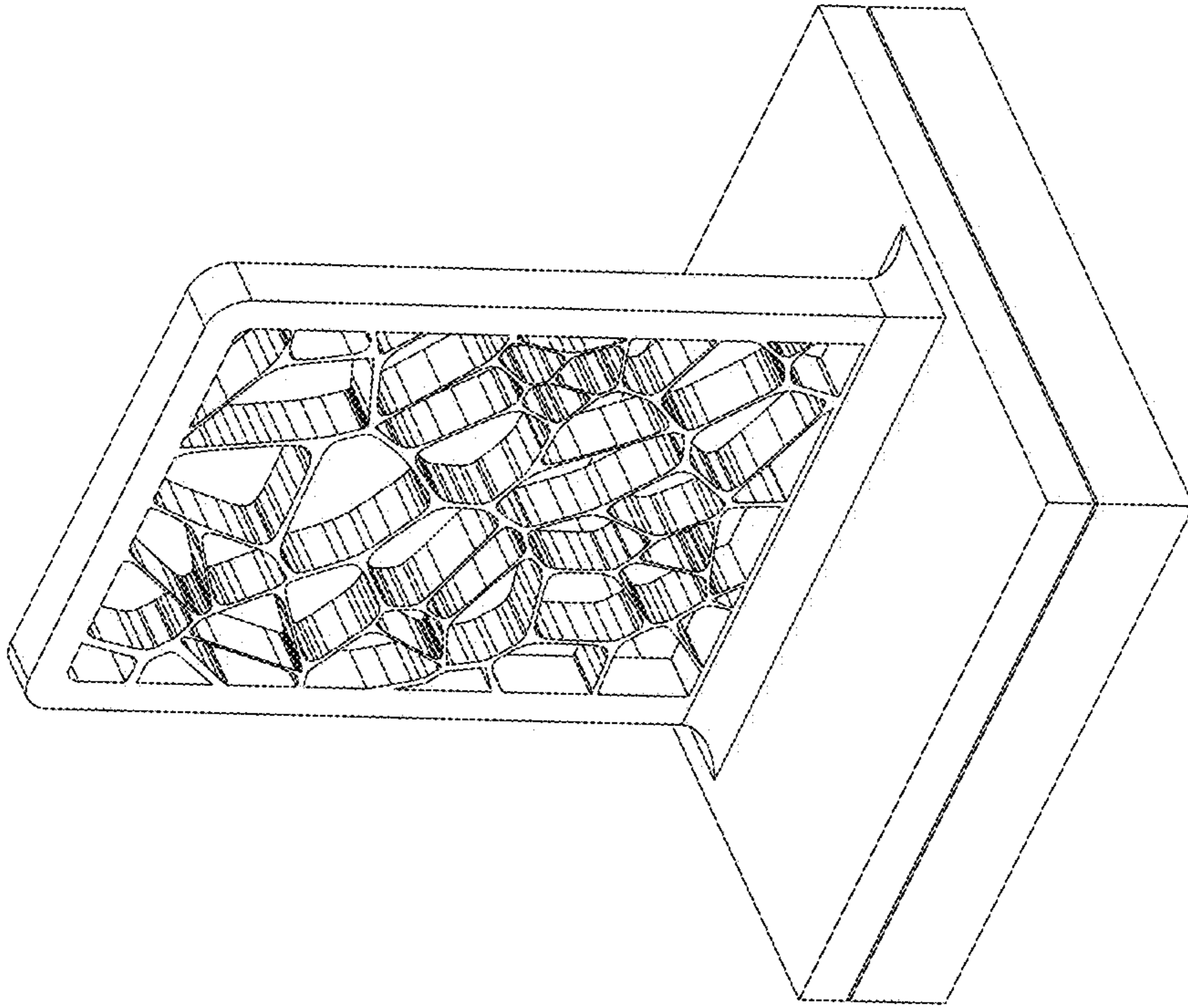


FIG - 1

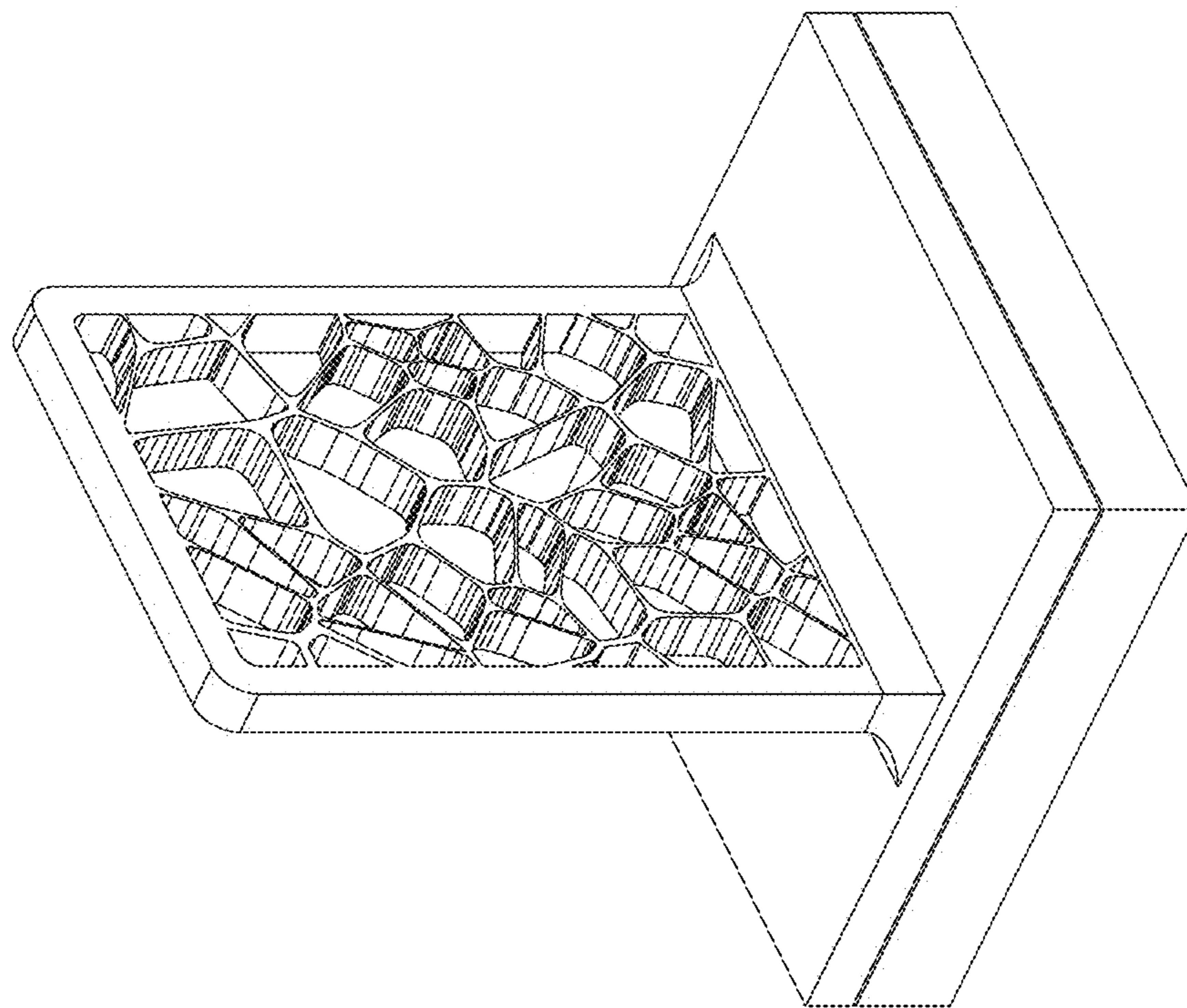


FIG - 2

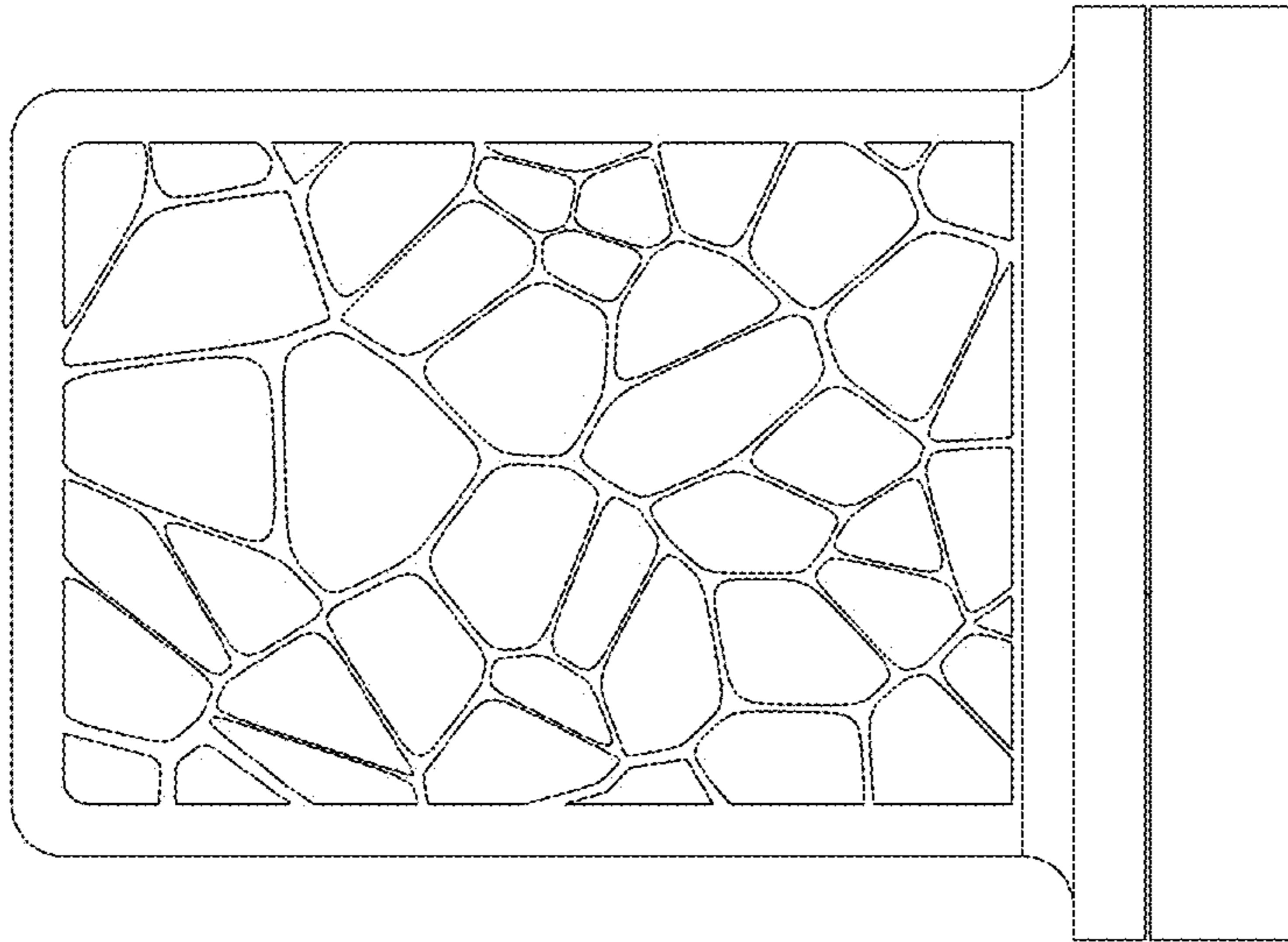


FIG - 4

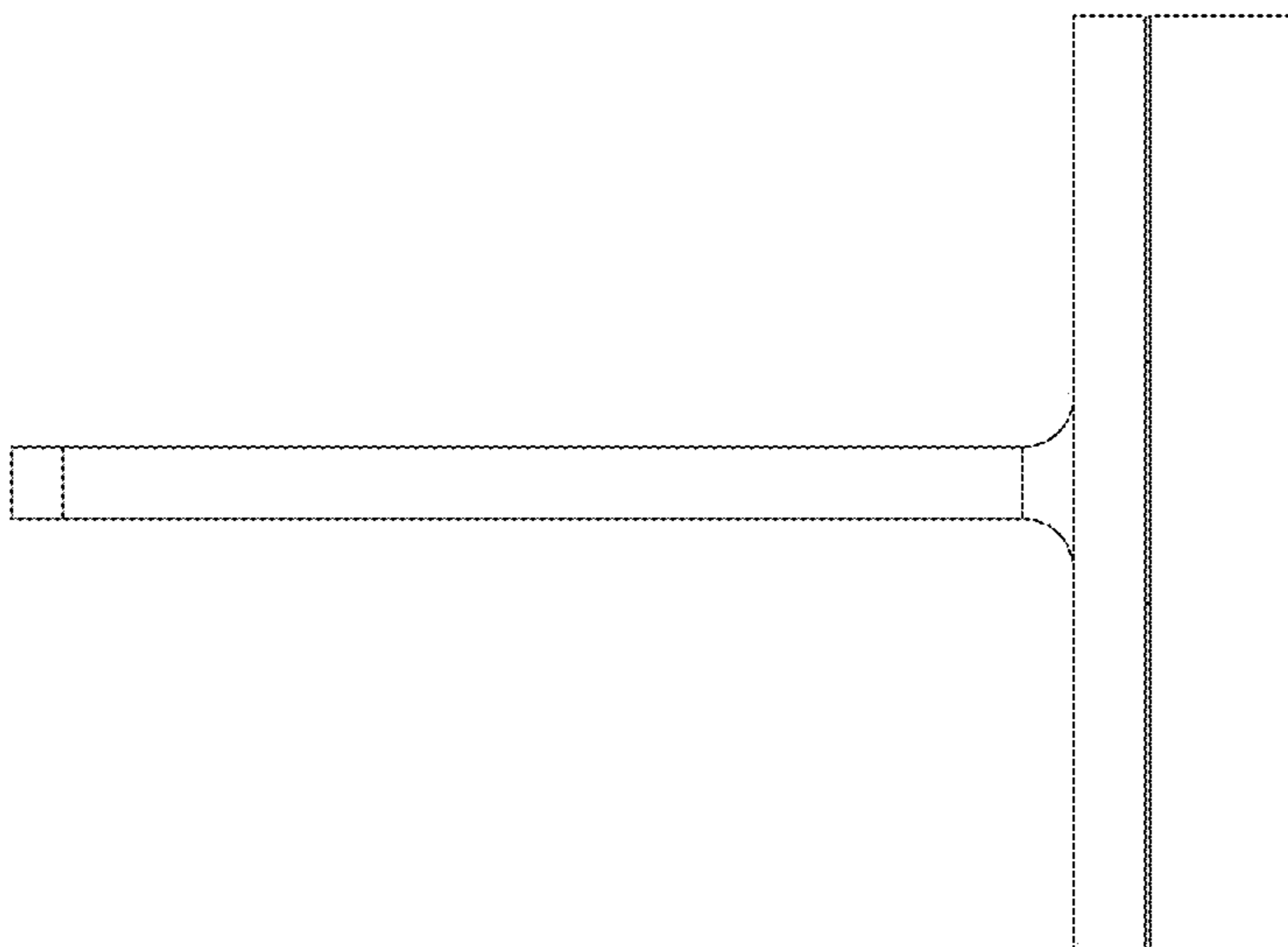


FIG - 3

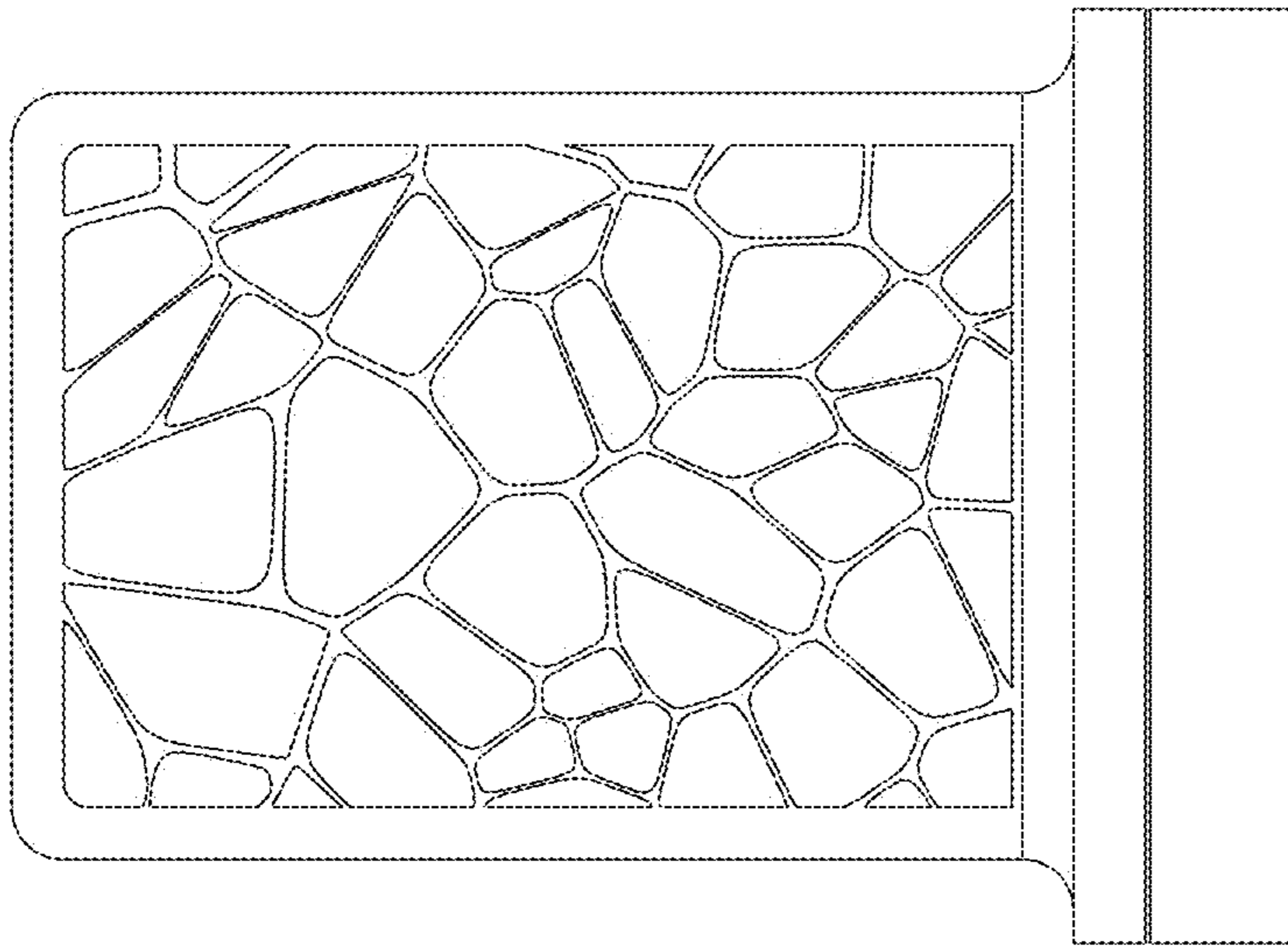


FIG - 6

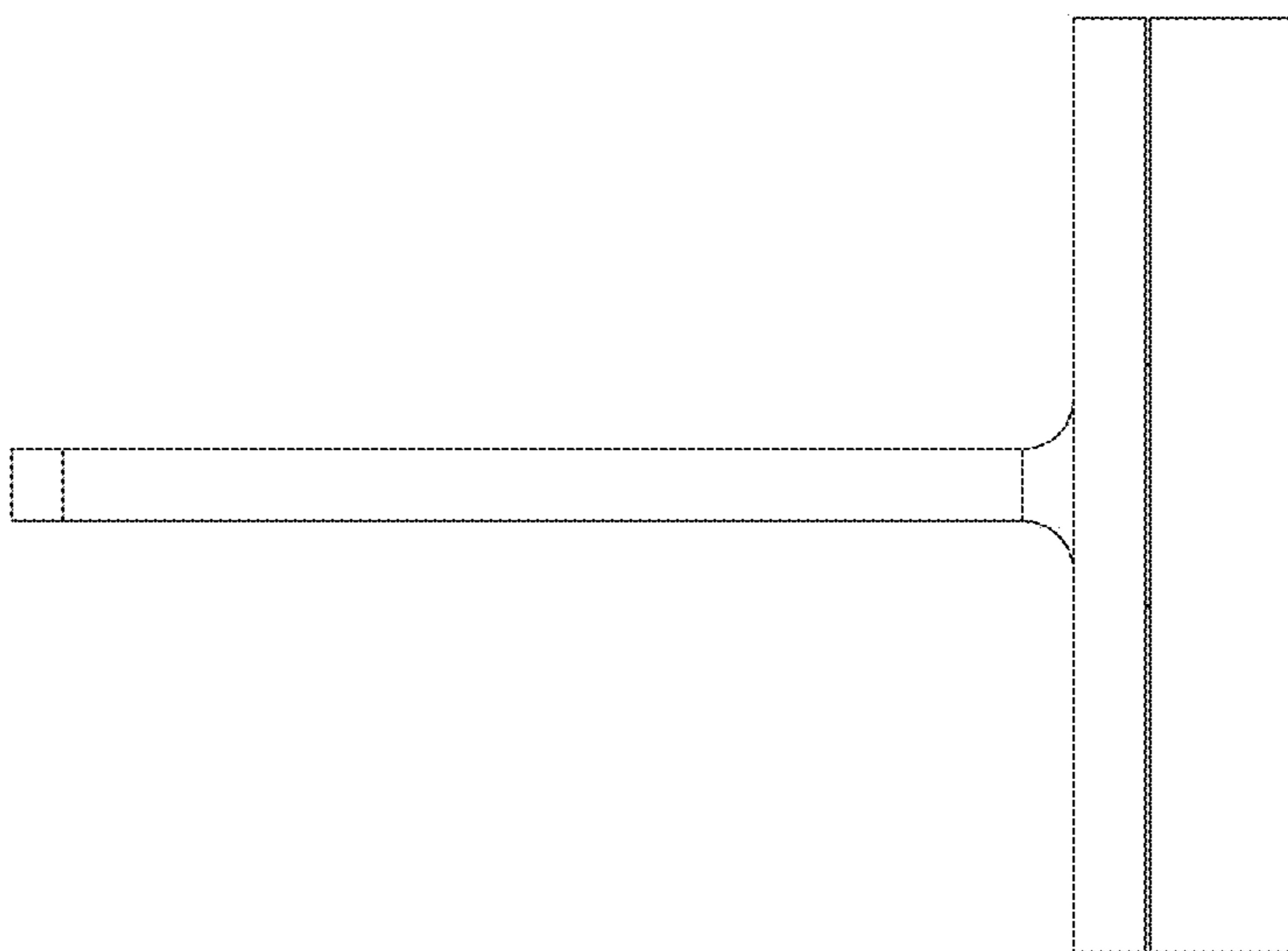


FIG - 5

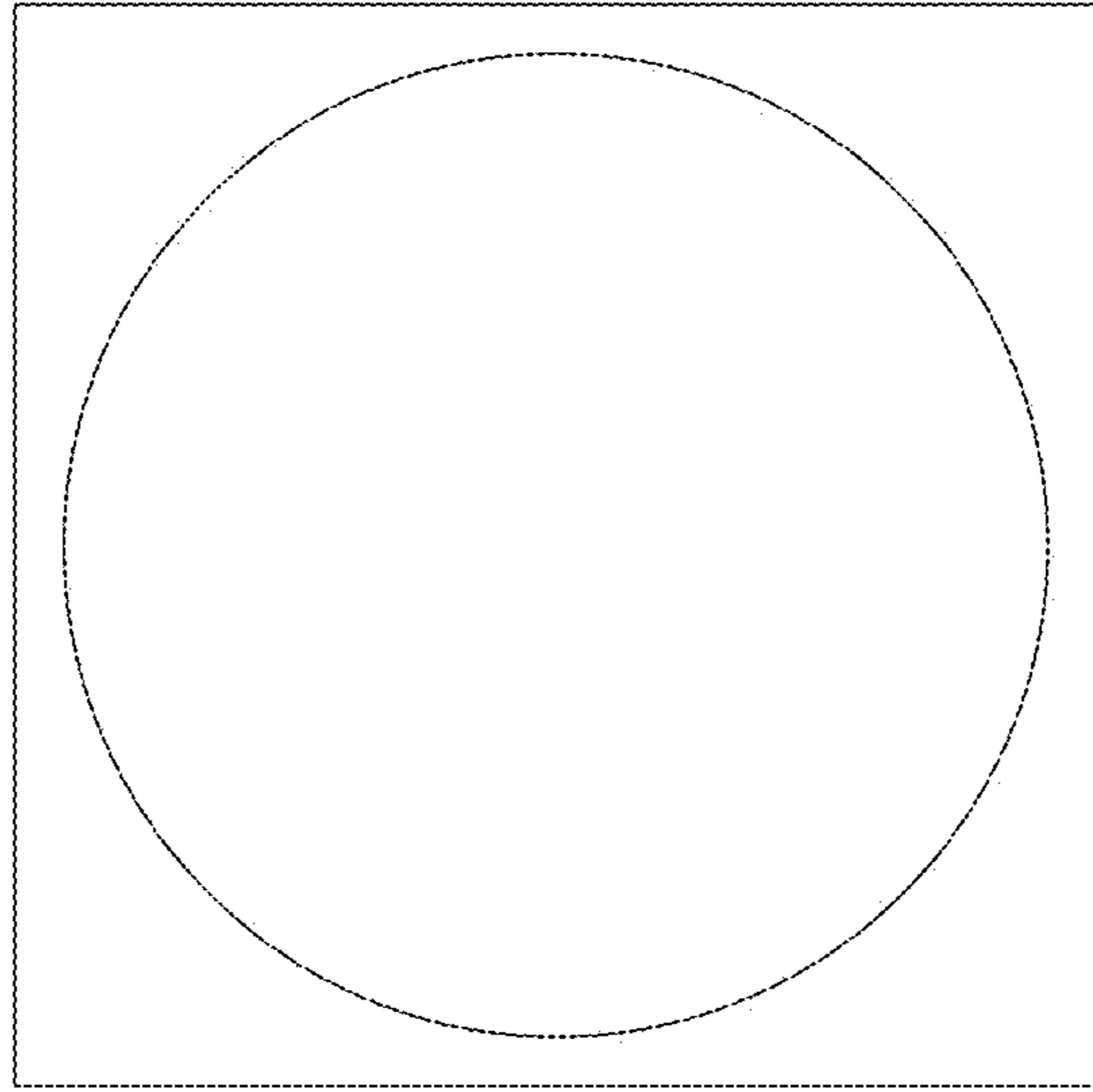


FIG - 8

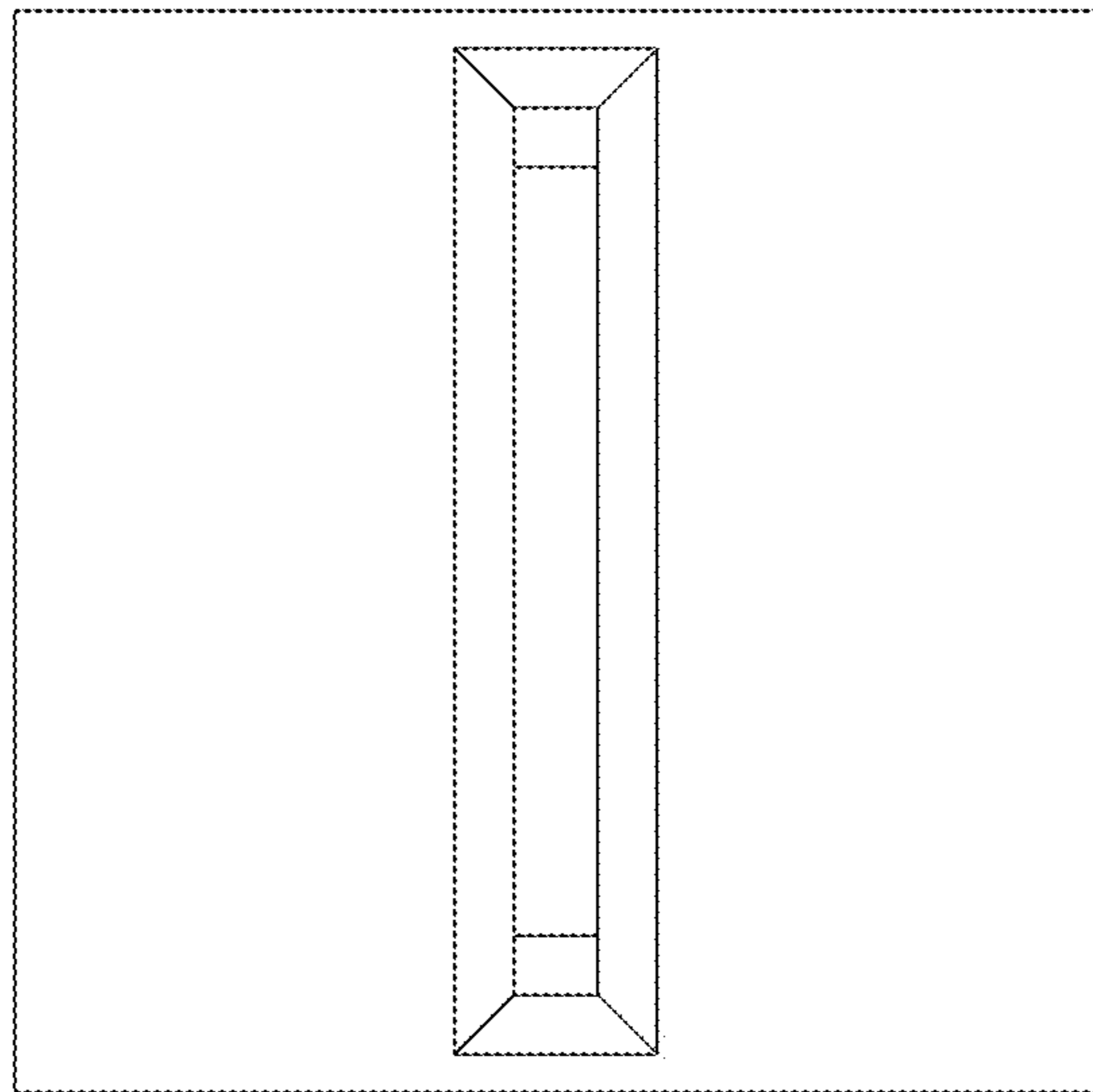


FIG - 7