

US00D966469S

(12) **United States Design Patent**  
**Kato**

(10) **Patent No.:** **US D966,469 S**  
(45) **Date of Patent:** **\*\* Oct. 11, 2022**

(54) **FLOW CONTROL VALVE**  
(71) Applicant: **SMC CORPORATION**, Tokyo (JP)

D926,933 S \* 8/2021 Matsushita ..... D23/235  
D926,934 S \* 8/2021 Matsushita ..... D23/235  
D928,915 S \* 8/2021 Okawara ..... D23/233

(72) Inventor: **Hisataka Kato**, Joso (JP)  
(73) Assignee: **SMC CORPORATION**, Tokyo (JP)

**FOREIGN PATENT DOCUMENTS**

CN 302651839 S 11/2013  
JP 1659424 S 5/2020

(\*\*) Term: **15 Years**

\* cited by examiner

(21) Appl. No.: **29/764,517**

*Primary Examiner* — Gino Colan

(22) Filed: **Dec. 30, 2020**

(74) *Attorney, Agent, or Firm* — Birch, Stewart, Kolasch & Birch, LLP

(30) **Foreign Application Priority Data**

(57) **CLAIM**

Jul. 10, 2020 (JP) ..... 2020-014163 D

The ornamental design for a flow control valve, as shown and described.

(51) **LOC (13) Cl.** ..... **23-01**

**DESCRIPTION**

(52) **U.S. Cl.**  
USPC ..... **D23/245**

(58) **Field of Classification Search**  
USPC ..... D23/233, 235, 237, 244, 241, 245, 248  
CPC ..... F16K 27/0263  
See application file for complete search history.

FIG. 1 is a front, top and left side perspective view of a flow control valve showing my new design;  
FIG. 2 is a rear, bottom and left side perspective view thereof;  
FIG. 3 is a front view thereof;  
FIG. 4 is a rear view thereof;  
FIG. 5 is a top plan view thereof;  
FIG. 6 is a bottom plan view thereof;  
FIG. 7 is a left side view thereof;  
FIG. 8 is a right side view thereof; and,  
FIG. 9 is a sectional view taken along the line 9-9 of FIG. 5.

(56) **References Cited**

**U.S. PATENT DOCUMENTS**

D794,166 S 8/2017 Komatsuzaki et al.  
D800,258 S 10/2017 Komatsuzaki et al.  
D838,812 S 1/2019 Komatsuzaki et al.  
D838,813 S 1/2019 Komatsuzaki et al.  
D924,361 S \* 7/2021 Matsushita ..... D23/235

**1 Claim, 9 Drawing Sheets**

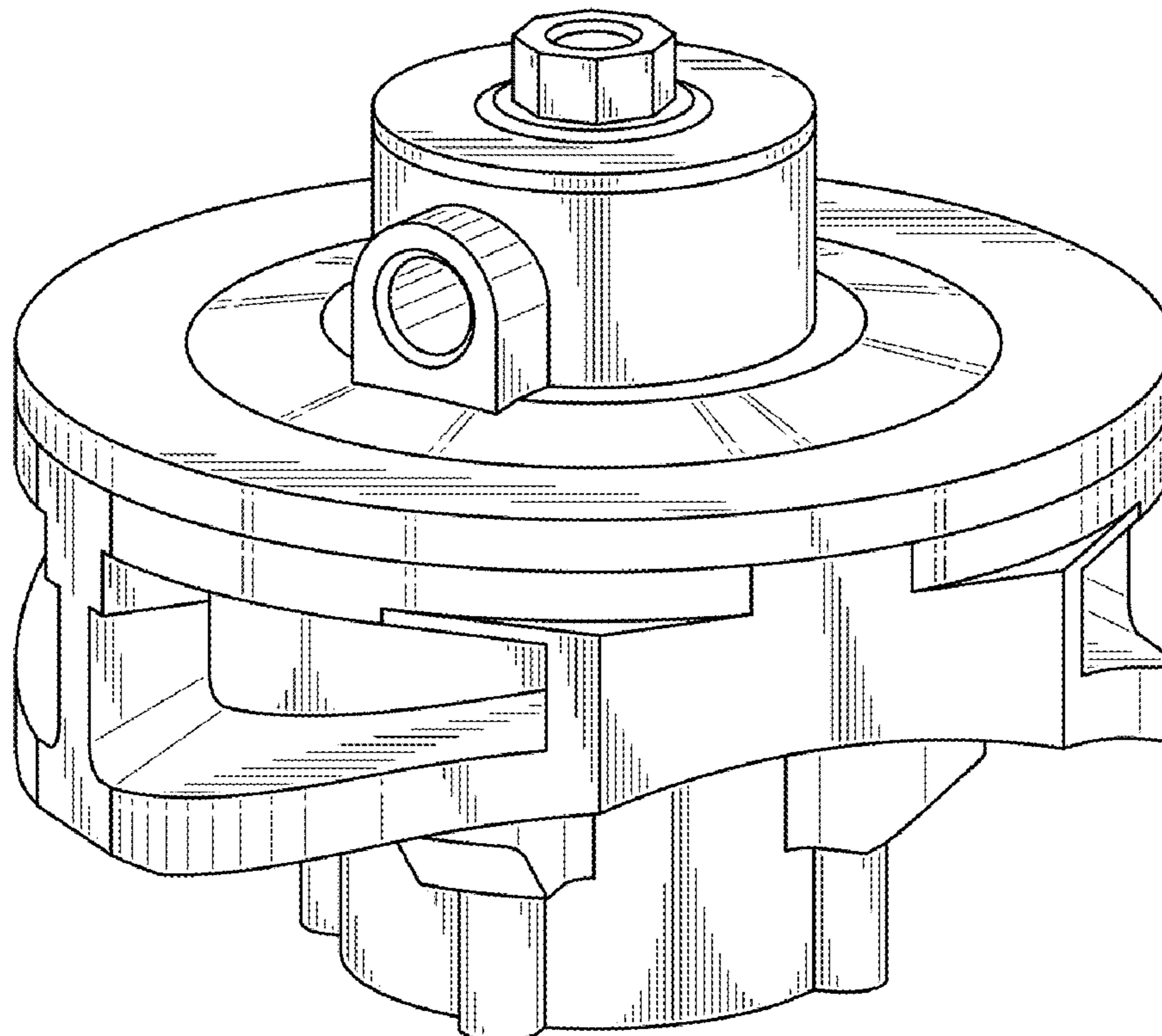


FIG. 1

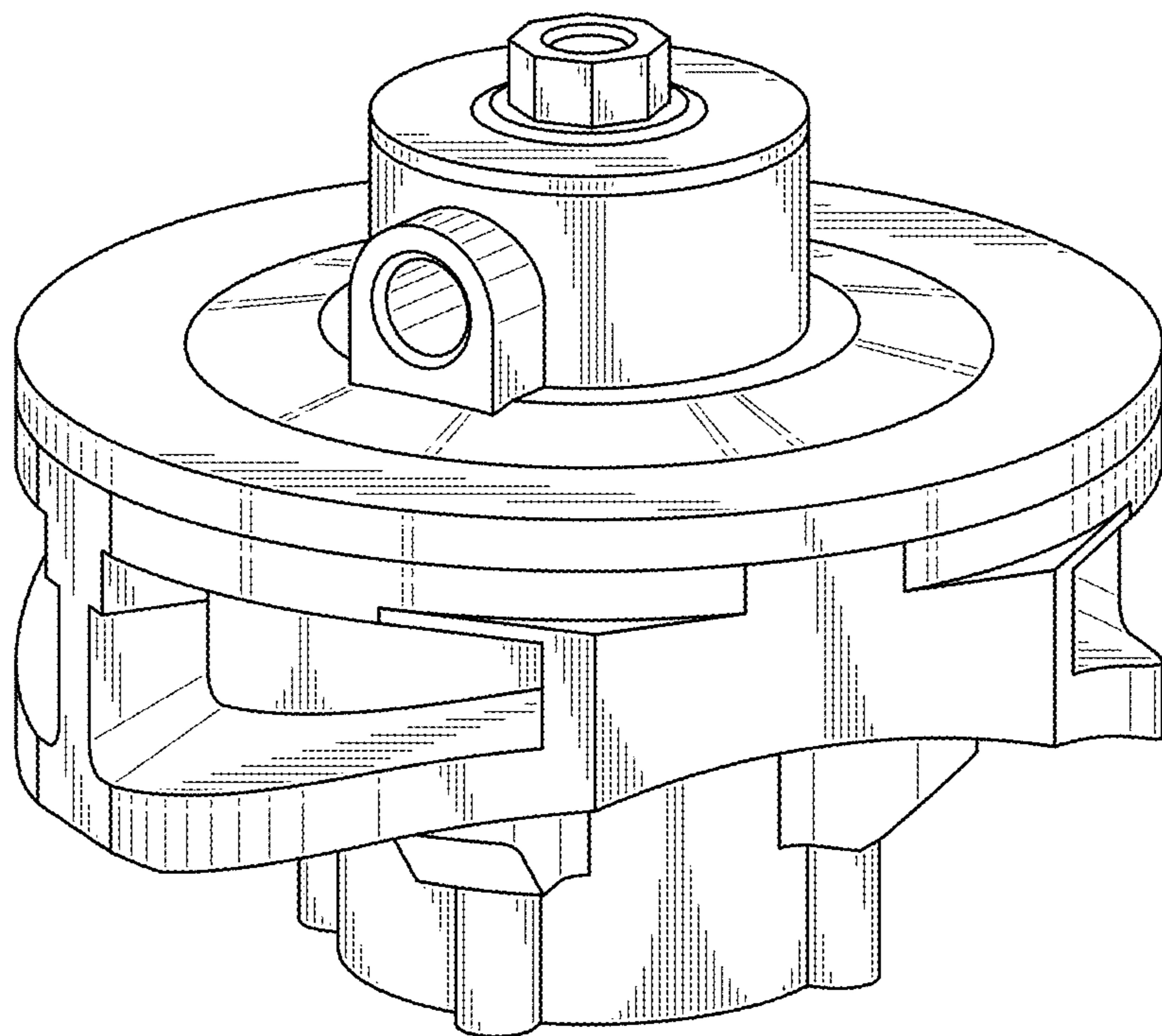


FIG. 2

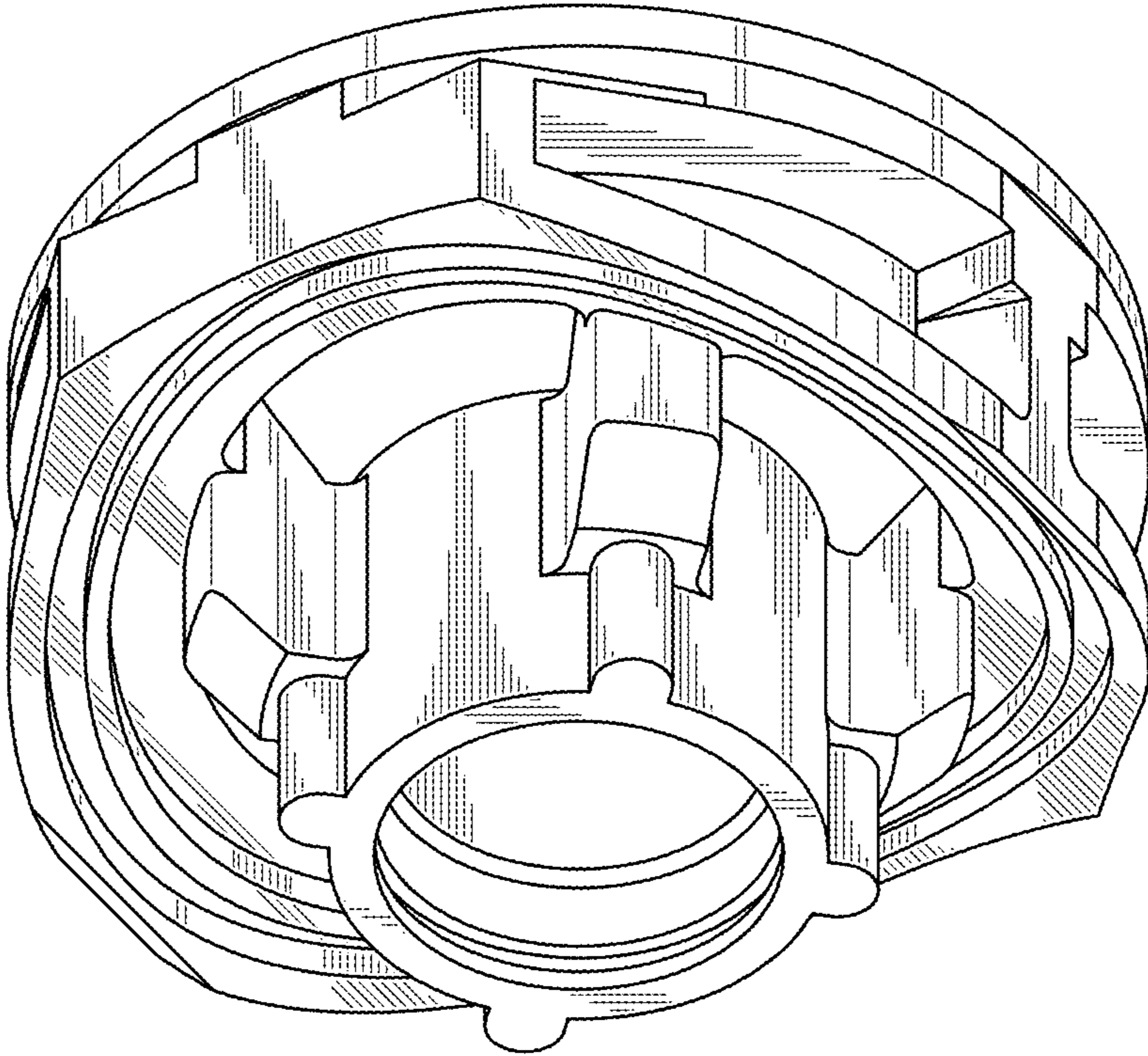


FIG. 3

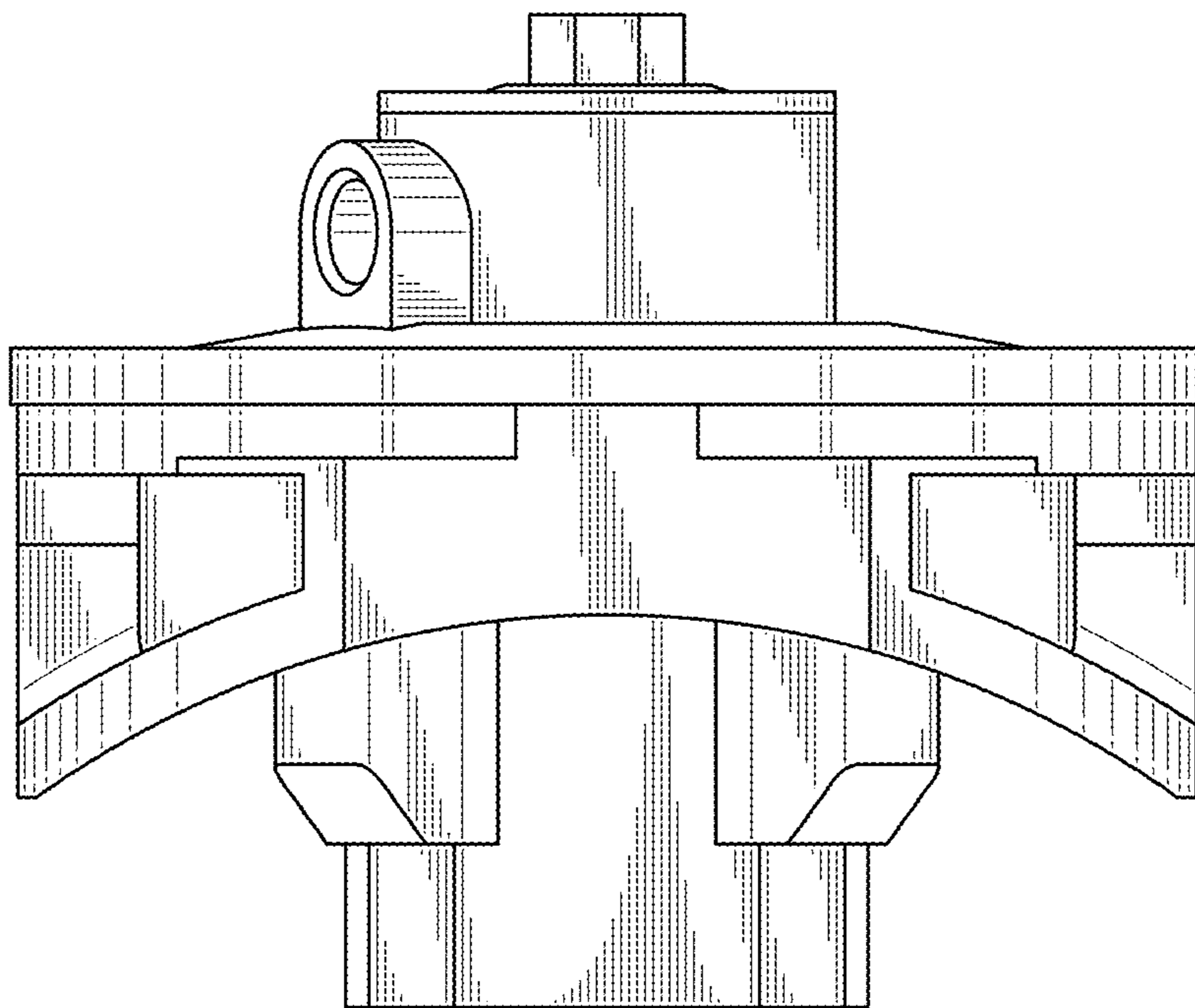


FIG. 4

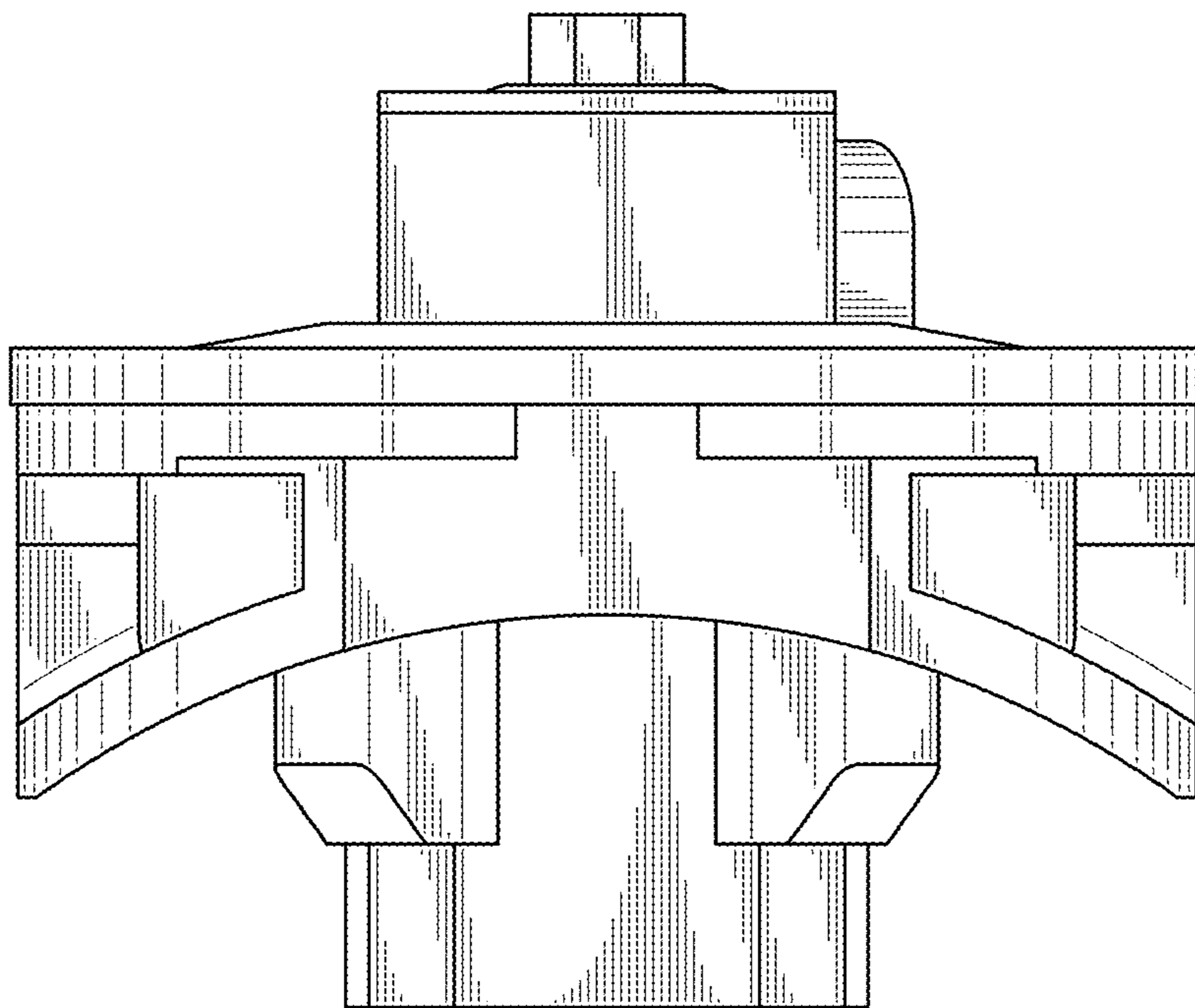




FIG. 5

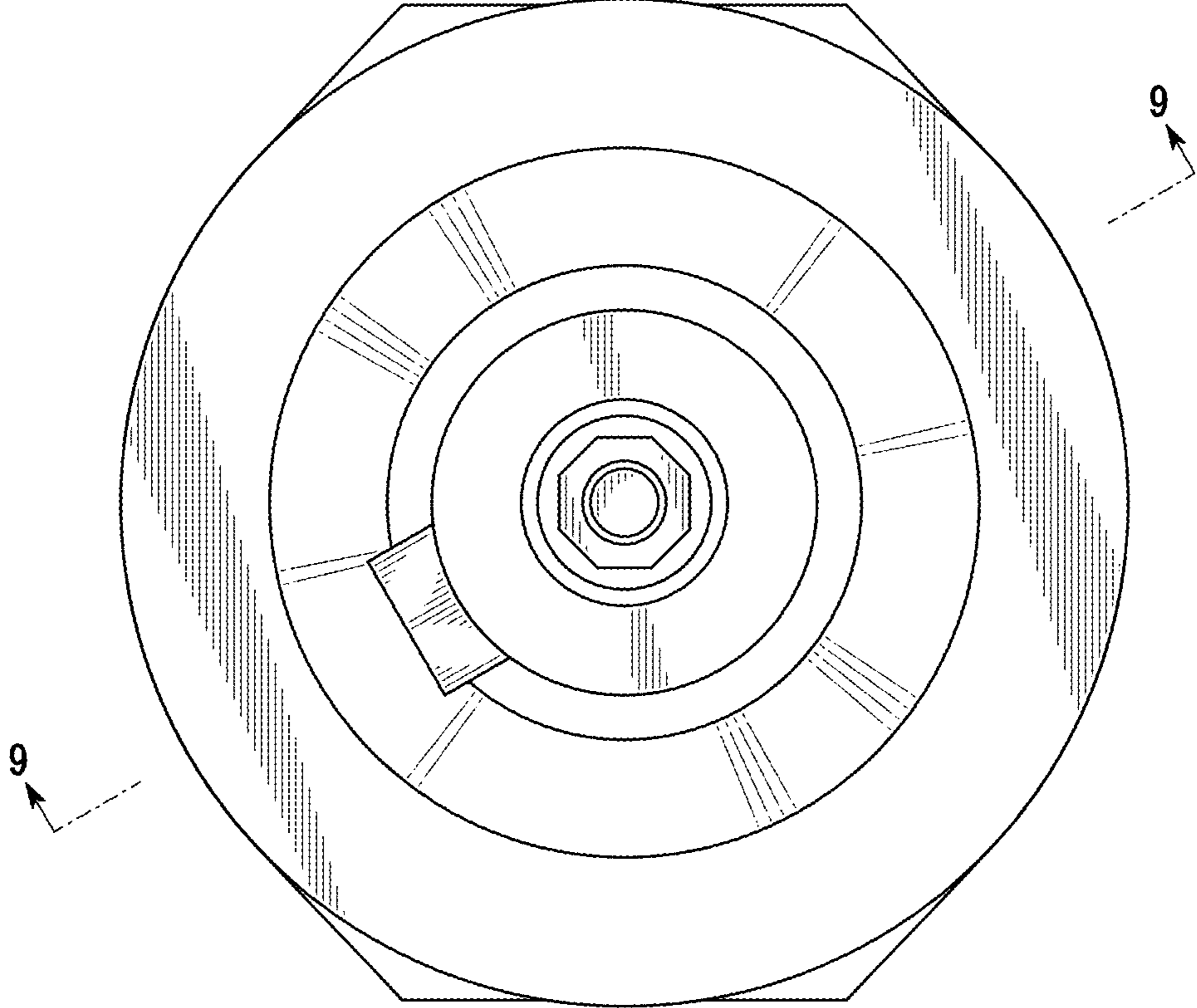


FIG. 6

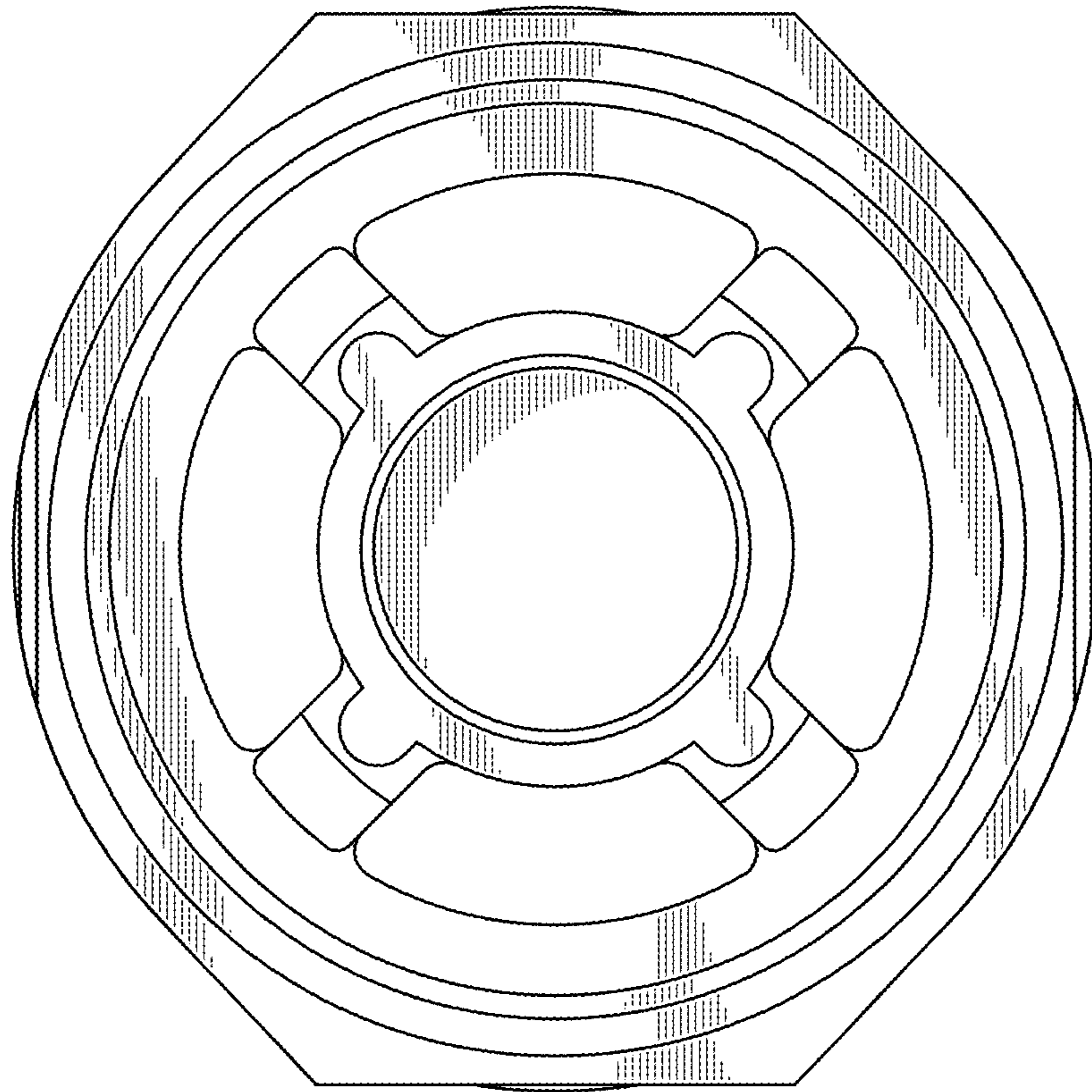


FIG. 7

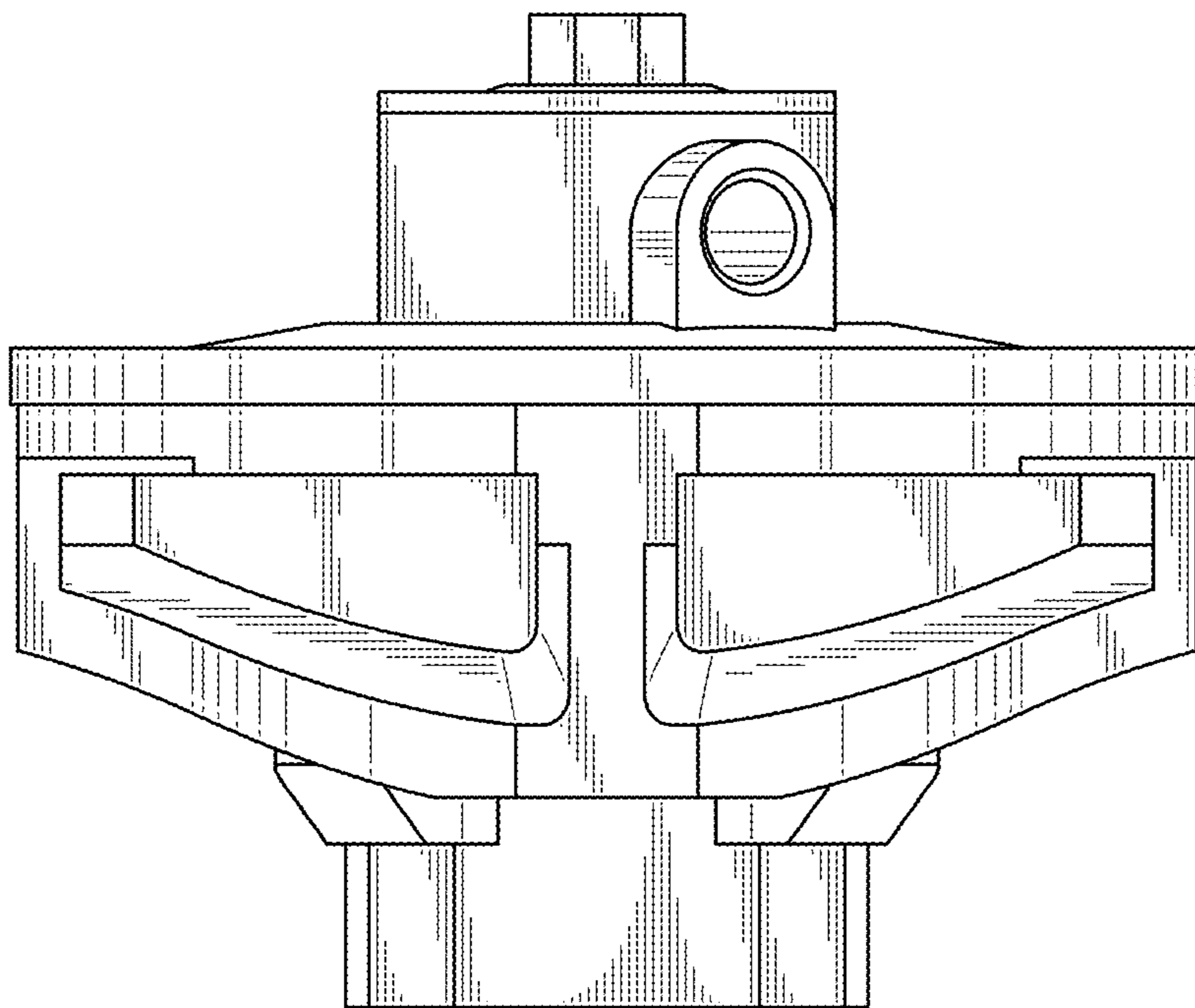




FIG. 8

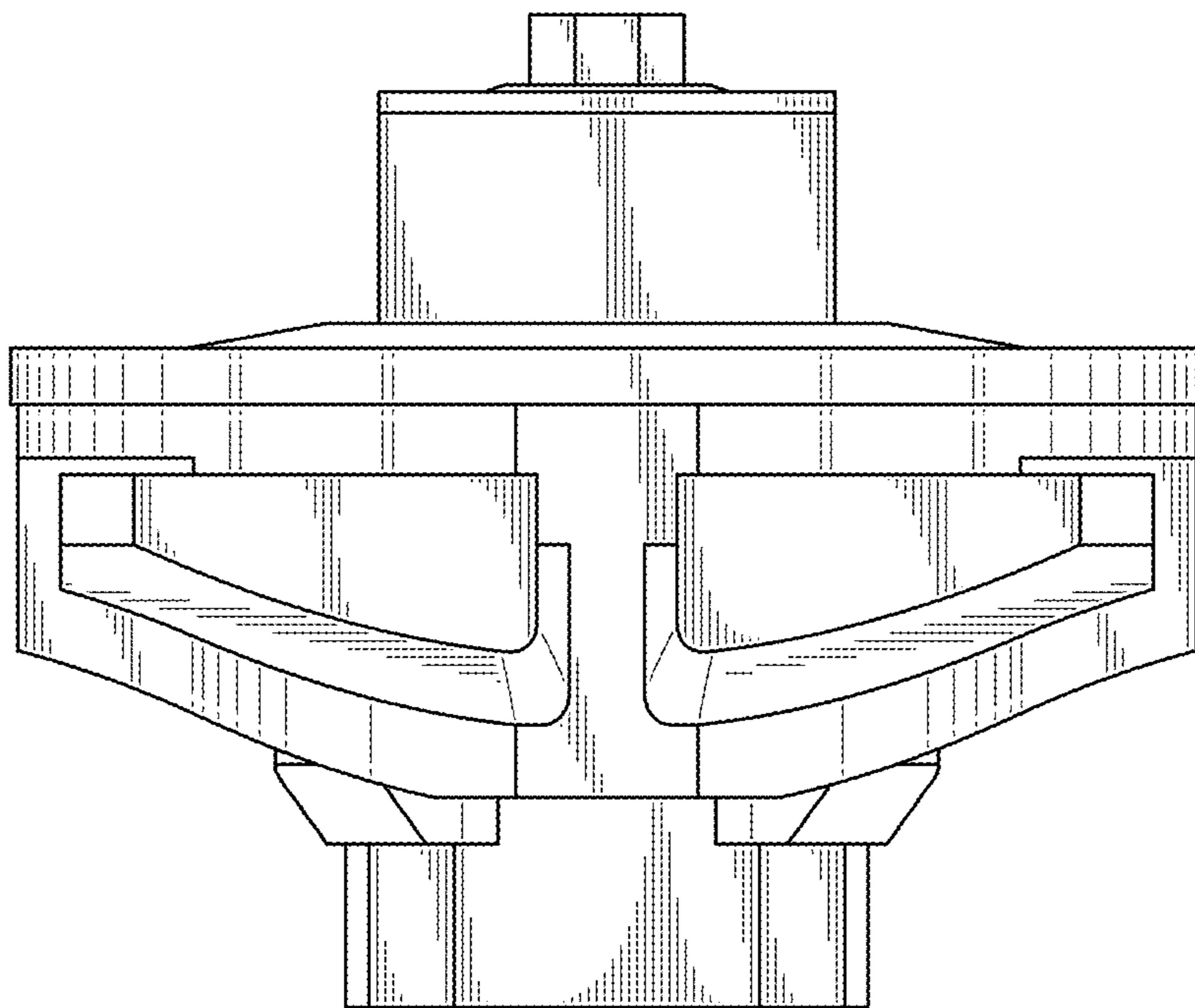


FIG. 9

