



US00D966467S

(12) **United States Design Patent**
Wu

(10) **Patent No.:** **US D966,467 S**
(45) **Date of Patent:** **** Oct. 11, 2022**

(54) **FAUCET**

(71) Applicant: **Danchun Wu**, Chaozhou (CN)

(72) Inventor: **Danchun Wu**, Chaozhou (CN)

(**) Term: **15 Years**

(21) Appl. No.: **29/782,684**

(22) Filed: **May 7, 2021**

(51) **LOC (13) Cl.** **23-01**

(52) **U.S. Cl.**
USPC **D23/242**

(58) **Field of Classification Search**
USPC D23/238–244, 252, 254–255, 257, 499;
D7/398
CPC F16K 31/602; F16K 31/605; F16K 31/607;
E03C 1/0412
See application file for complete search history.

(56) **References Cited**

U.S. PATENT DOCUMENTS

D418,586 S *	1/2000	Lord	D23/255
D713,937 S *	9/2014	Fritz	D23/242
D790,668 S *	6/2017	Schaubach	D23/252
D853,529 S *	7/2019	Mai	D23/239
D855,159 S *	7/2019	Eads	D23/242
D865,128 S *	10/2019	Zeng	D23/242
D905,825 S *	12/2020	Potter	D23/242
D933,165 S *	10/2021	Elser	D23/242
D940,277 S *	1/2022	Chen	D23/238

OTHER PUBLICATIONS

Universal Laundry Tub Faucet, first available Sep. 26, 2019[online], [site visited Jul. 25, 2022]. Available from internet, URL:<<https://www.amazon.com/Universal-Laundry-Non-Metallic-Plastic-Stainless/dp/B07YF4B4CD>> (Year: 2019).*

* cited by examiner

Primary Examiner — David G Muller
Assistant Examiner — Jamaal Rasheed

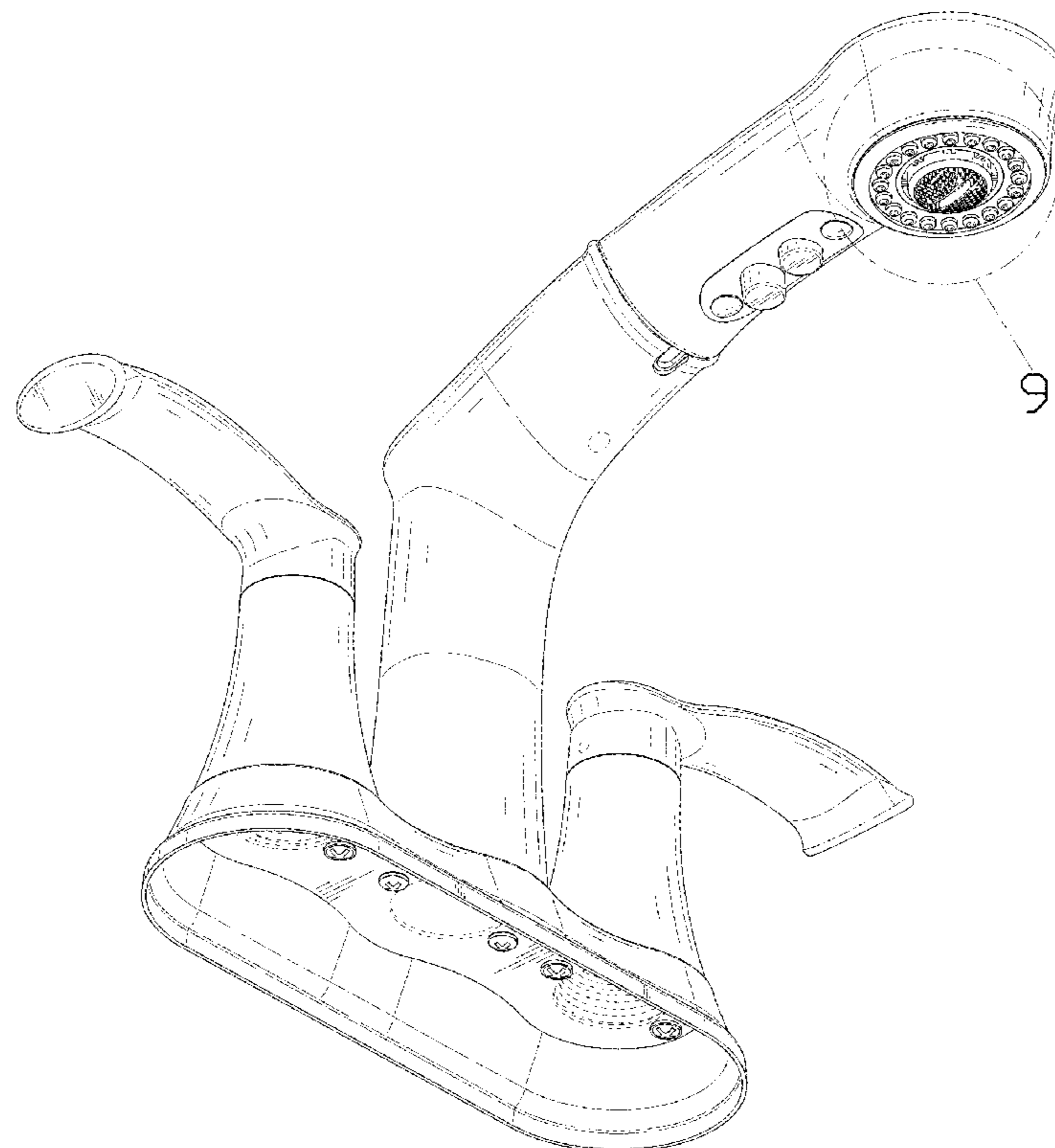
(57) **CLAIM**

The ornamental design for a faucet, as shown and described.

DESCRIPTION

FIG. 1 is a perspective view of a faucet showing my new design;
FIG. 2 is another perspective view thereof;
FIG. 3 is a front elevational view thereof;
FIG. 4 is a rear elevational view thereof;
FIG. 5 is a left side elevational view thereof;
FIG. 6 is a right side elevational view thereof;
FIG. 7 is a top plan view thereof;
FIG. 8 is a bottom plan view thereof;
FIG. 9 is an enlarged view of portion 9 shown in FIG. 1; and,
FIG. 10 is an enlarged view of portion 10 shown in FIG. 3.
The dashed broken lines in the figures illustrate portions of the faucet that form no part of the claimed design. The dash dot dash lines showing the enlargements in FIGS. 1, 3, 9, and 10 form no part of the claimed design.

1 Claim, 10 Drawing Sheets



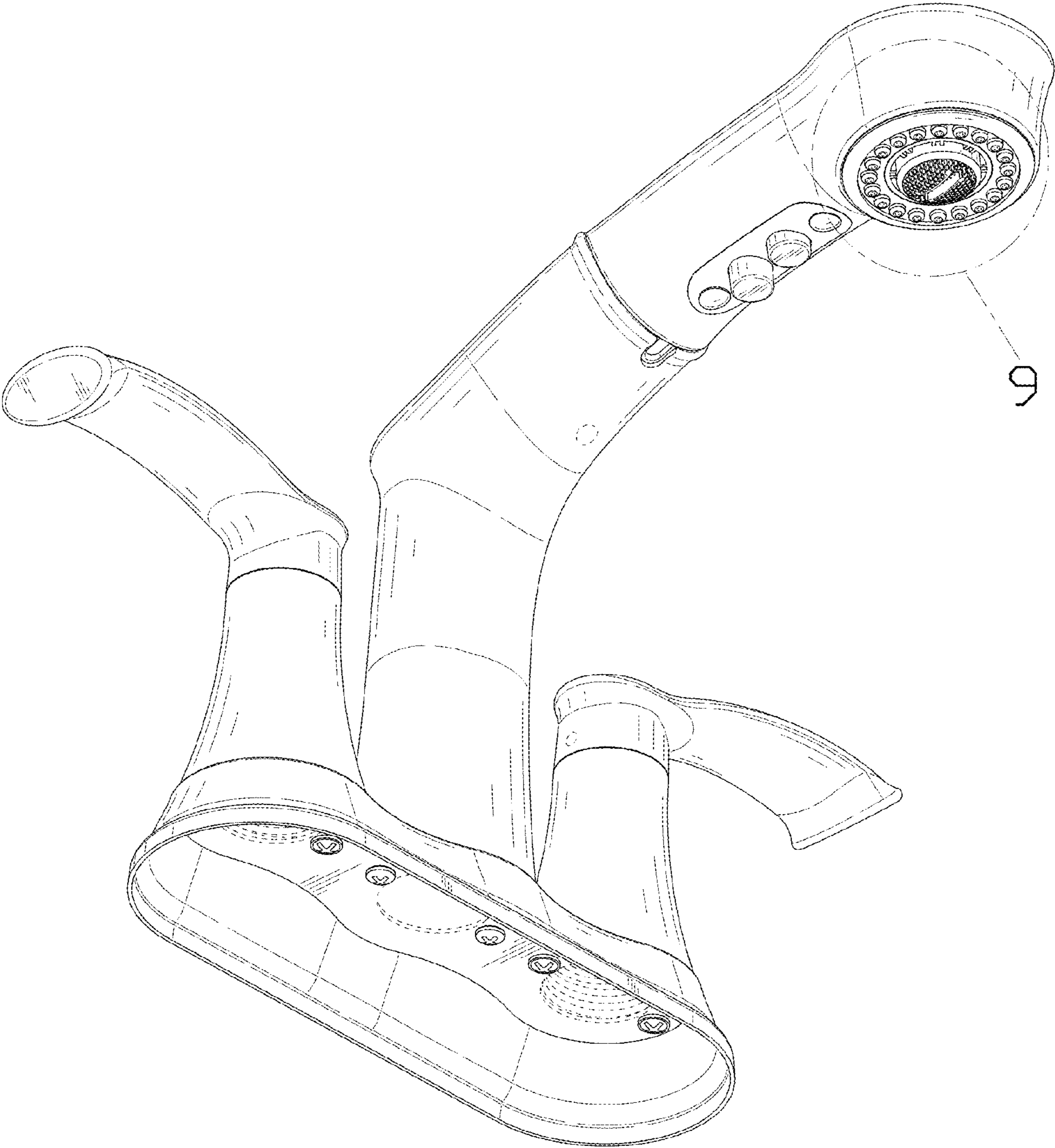


FIG. 1

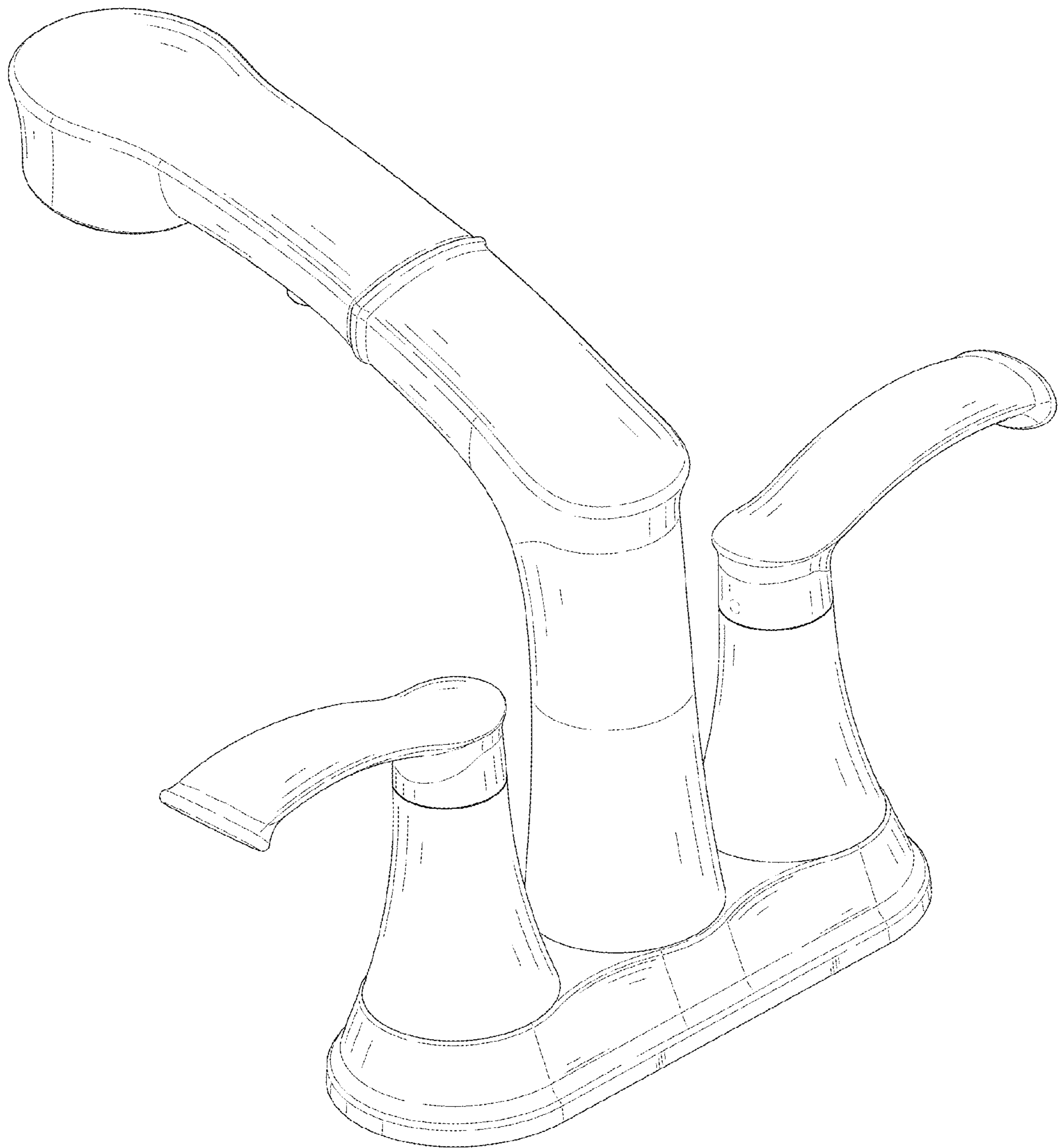


FIG. 2

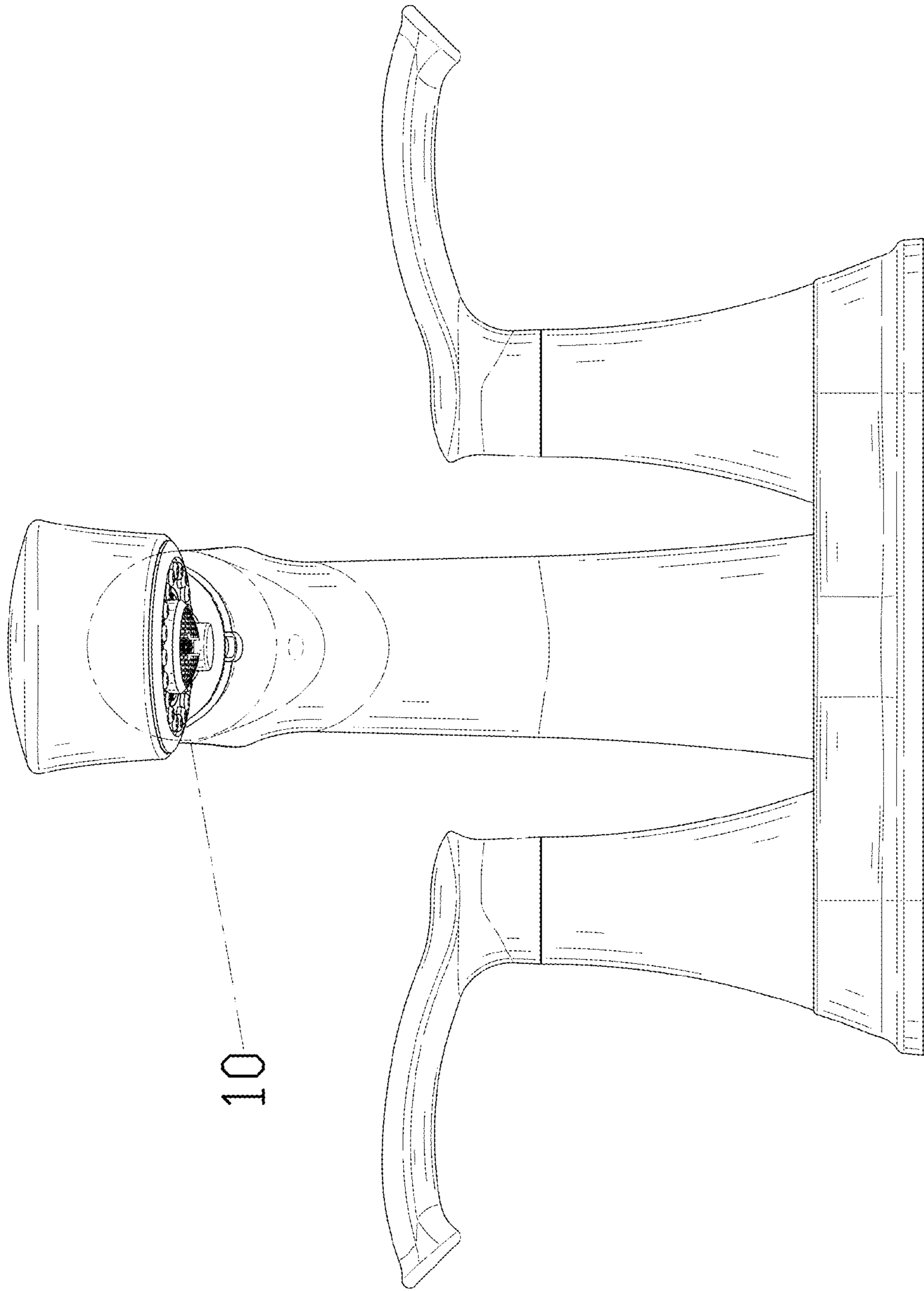


FIG. 3

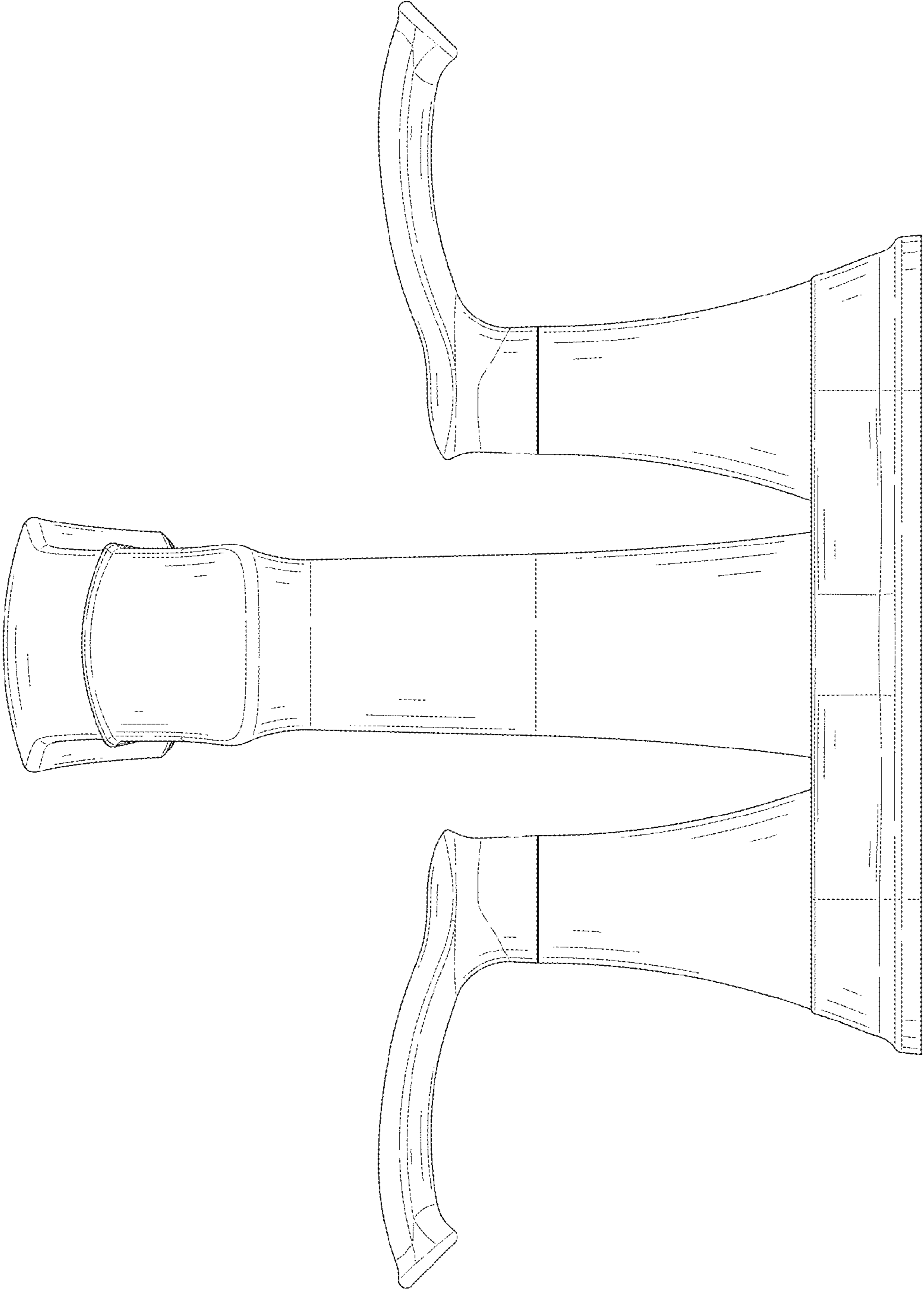


FIG. 4

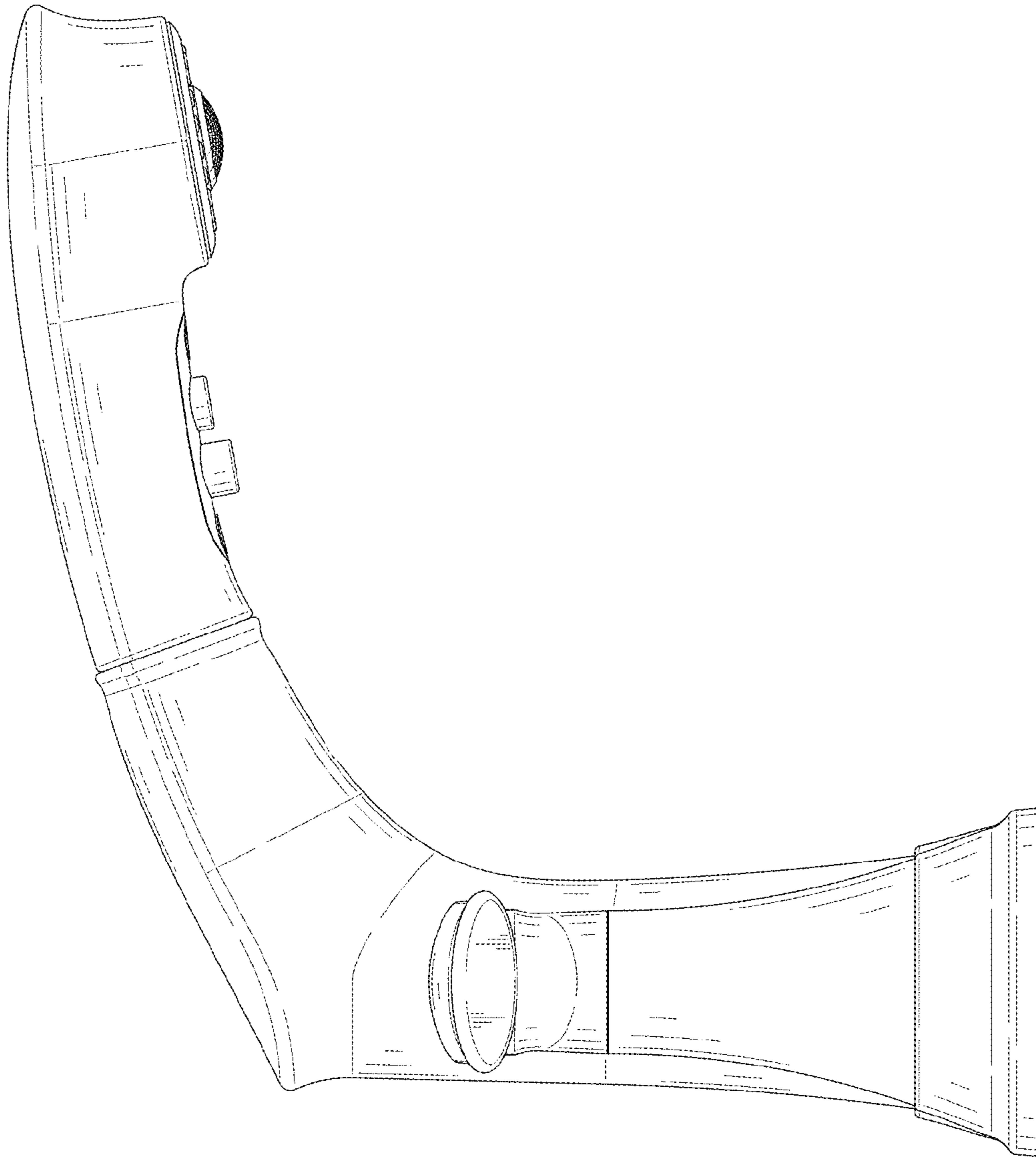


FIG. 5

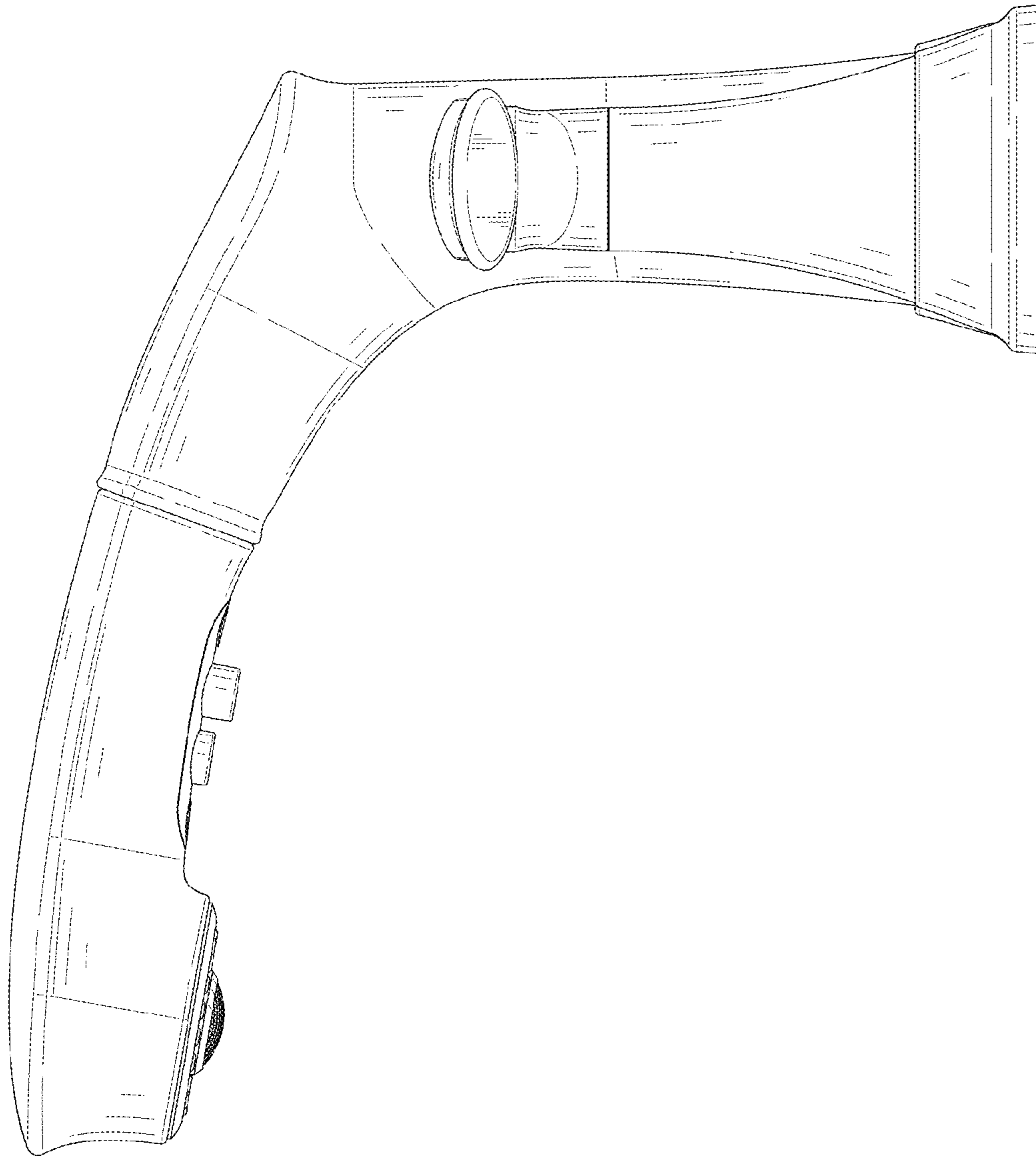


FIG. 6

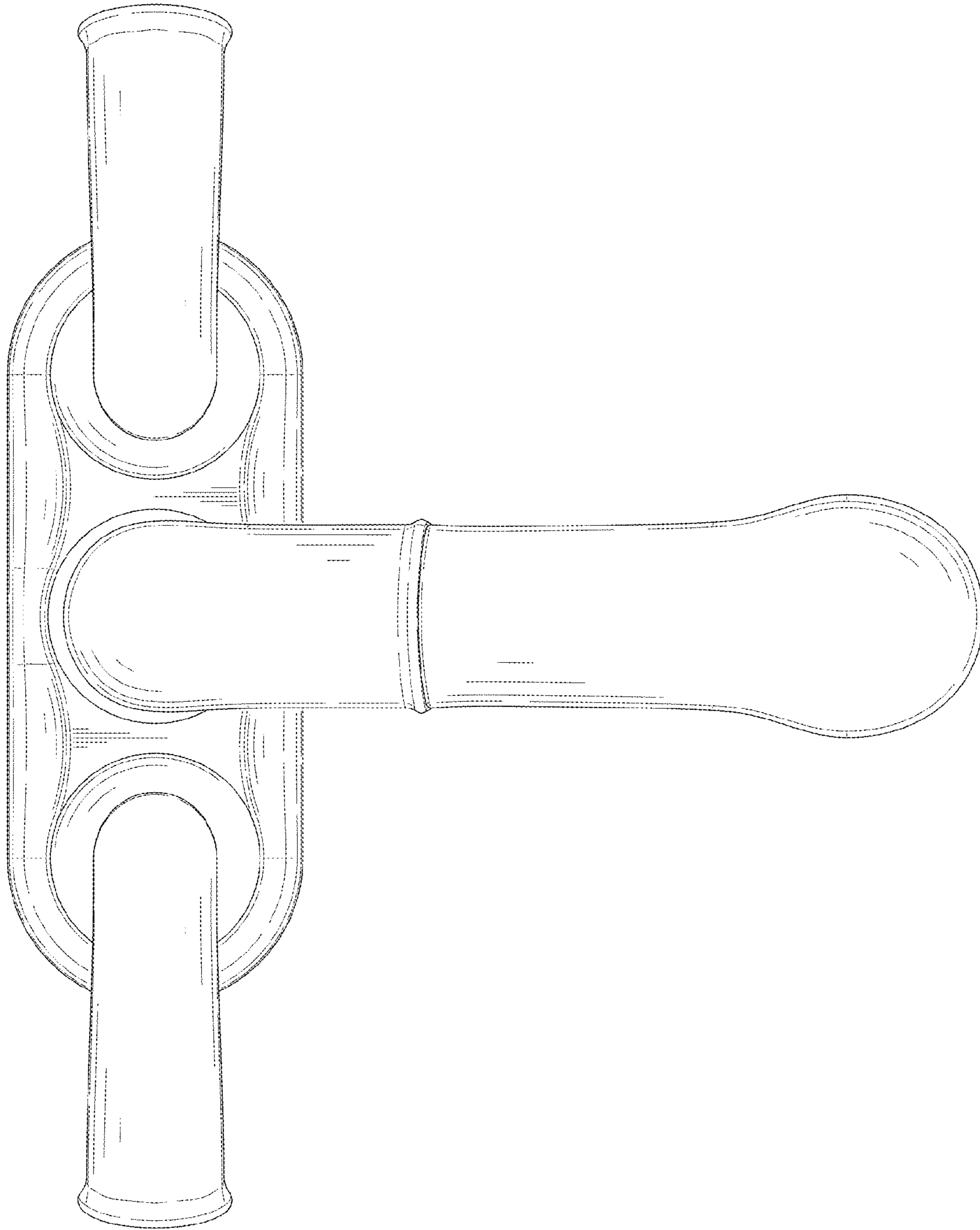


FIG. 7

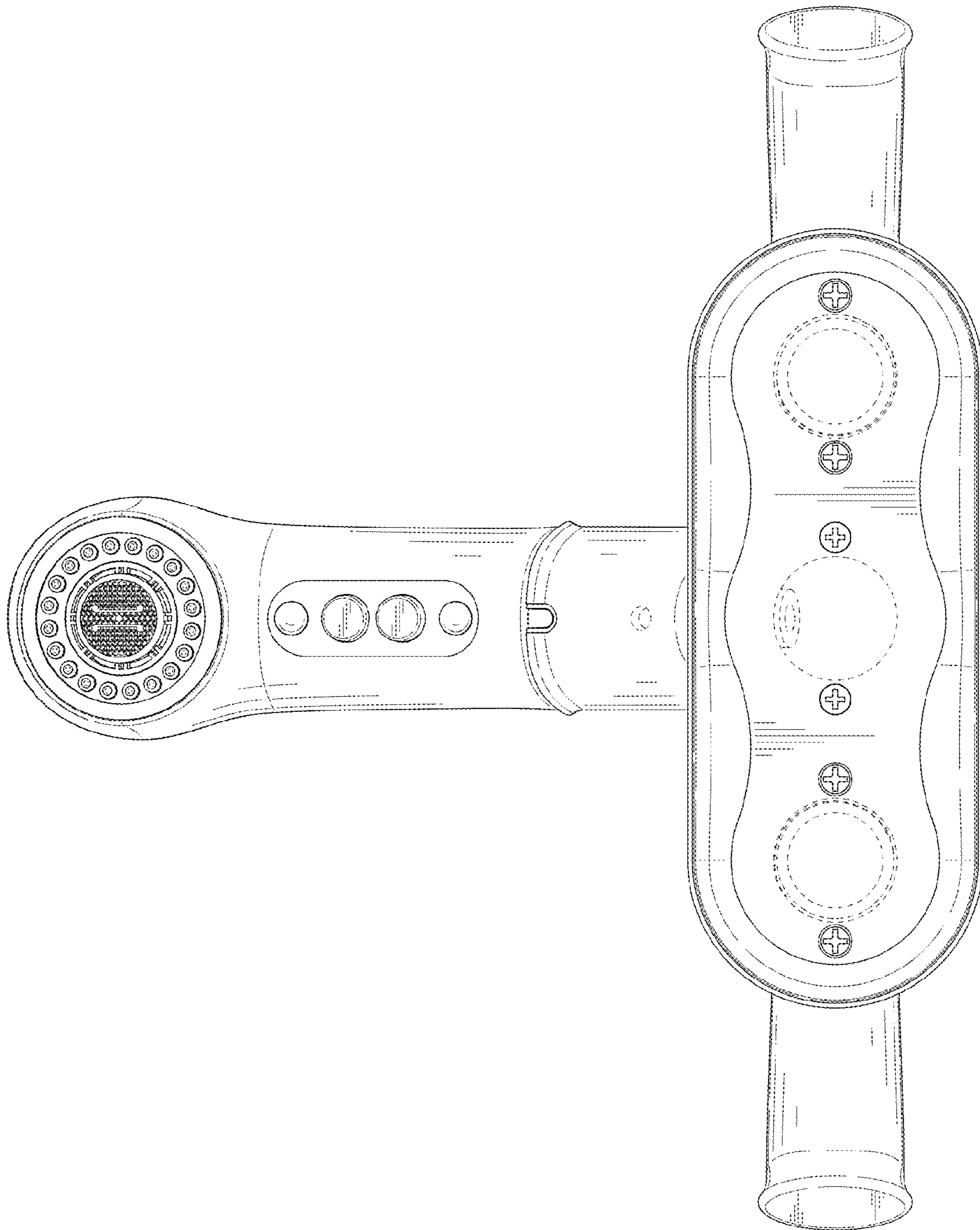


FIG. 8

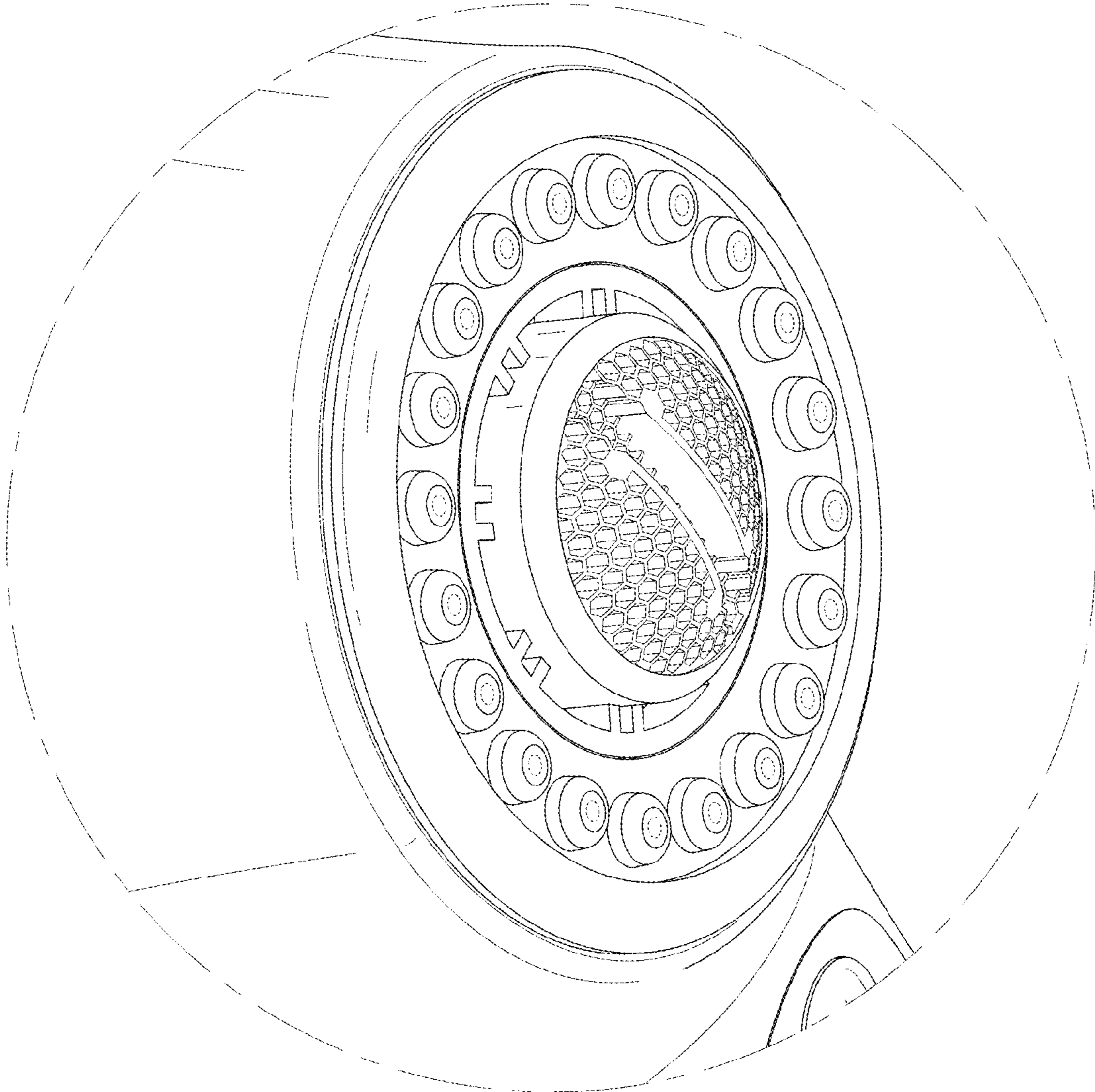


FIG. 9

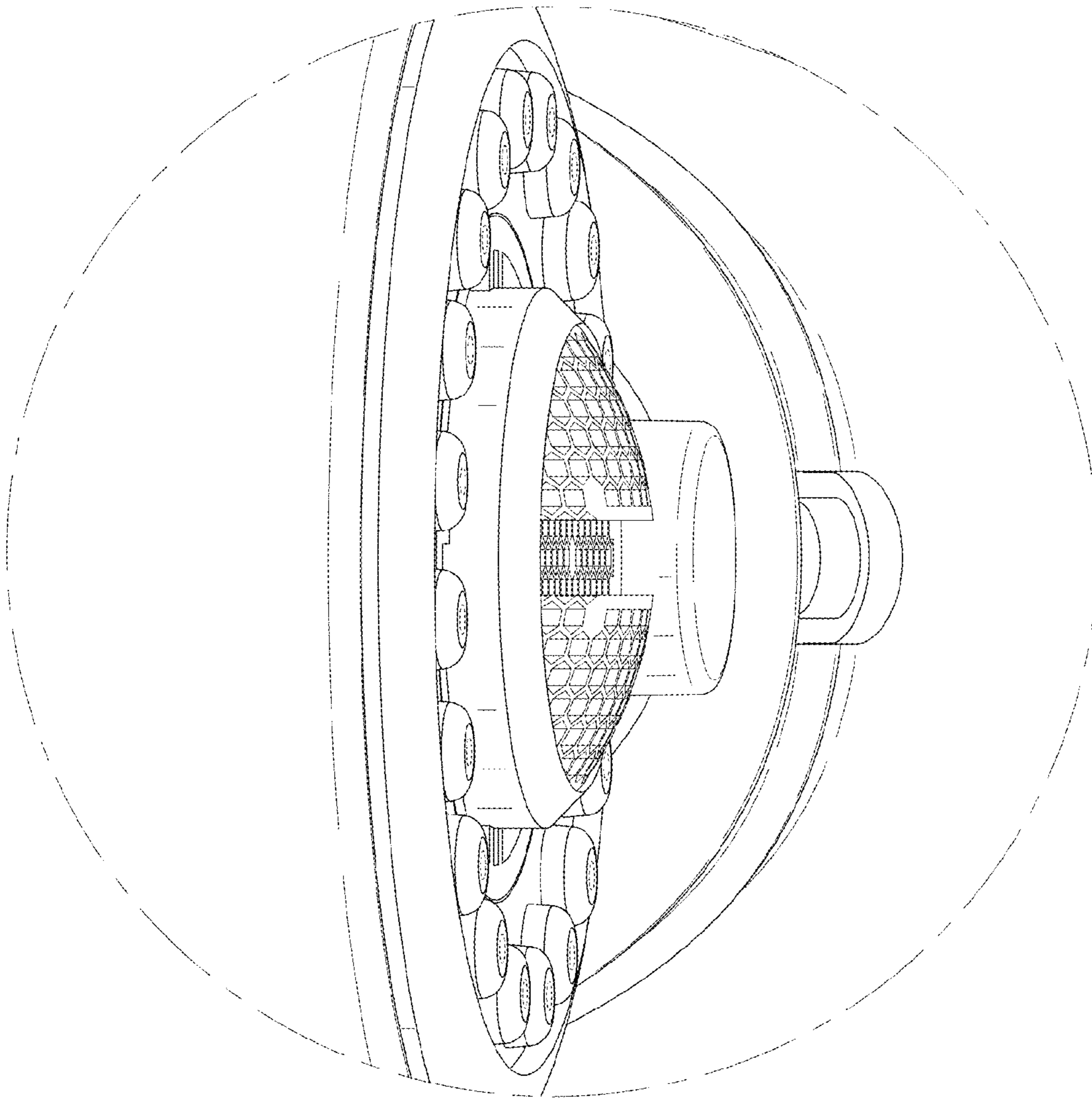


FIG. 10