

US00D966466S

(12) **United States Design Patent** (10) **Patent No.:** **US D966,466 S**
Wu (45) **Date of Patent:** **** Oct. 11, 2022**

(54) **FAUCET**
(71) Applicant: **Danchun Wu**, Chaozhou (CN)
(72) Inventor: **Danchun Wu**, Chaozhou (CN)
(**) Term: **15 Years**
(21) Appl. No.: **29/781,441**
(22) Filed: **Apr. 30, 2021**
(51) **LOC (13) Cl.** **23-01**
(52) **U.S. Cl.**
USPC **D23/242**
(58) **Field of Classification Search**
USPC D23/238–244, 252, 254–255, 257, 499;
D7/398
CPC F16K 31/602; F16K 31/605; F16K 31/607;
E03C 1/0412
See application file for complete search history.

(56) **References Cited**

U.S. PATENT DOCUMENTS

D575,852 S *	8/2008	Ko	D23/242
D773,615 S *	12/2016	Potter	D23/242
D790,669 S *	6/2017	Potter	D23/255
D820,403 S *	6/2018	Garland	D23/239
D855,159 S *	7/2019	Eads	D23/242
D856,489 S *	8/2019	Seum	D23/242
D905,825 S *	12/2020	Potter	D23/242
D912,215 S *	3/2021	Kuang	D23/242
D916,242 S *	4/2021	Xie	D23/238
D916,500 S *	4/2021	Johnson	D6/542
D944,365 S *	2/2022	Lazarini	D23/242

FOREIGN PATENT DOCUMENTS

CN	304350027	*	11/2017
CN	305853484	*	6/2020

OTHER PUBLICATIONS

Kohler K-23255-4-BN Kohler K-23255-4 Honesty 1.2 GPM Widespread Bathroom Faucet, first available Jan. 31, 2019[online], [site visited Aug. 5, 2022]. Available from internet, URL:<https://www.amazon.com/dp/B07N9GG2BS> (Year: 2019).*

Peerless Xander Widespread Bathroom Faucet, first available Feb. 13, 2018[online], [site visited Aug. 5, 2022]. Available from internet, URL:<https://www.amazon.com/Peerless-P3519LF-Xander-Widespread-Bathroom/dp/B079T75TLC?th=1> (Year: 2018).*
Kohler K-97031-4-CP Taut Bathroom Sink Faucets, first available Oct. 25, 2019[online], [site visited Aug. 5, 2022]. Available from internet, URL:<https://www.amazon.com/dp/B07ZLCY5X6> (Year: 2019).*

* cited by examiner

Primary Examiner — David G Muller
Assistant Examiner — Jamaal Rasheed

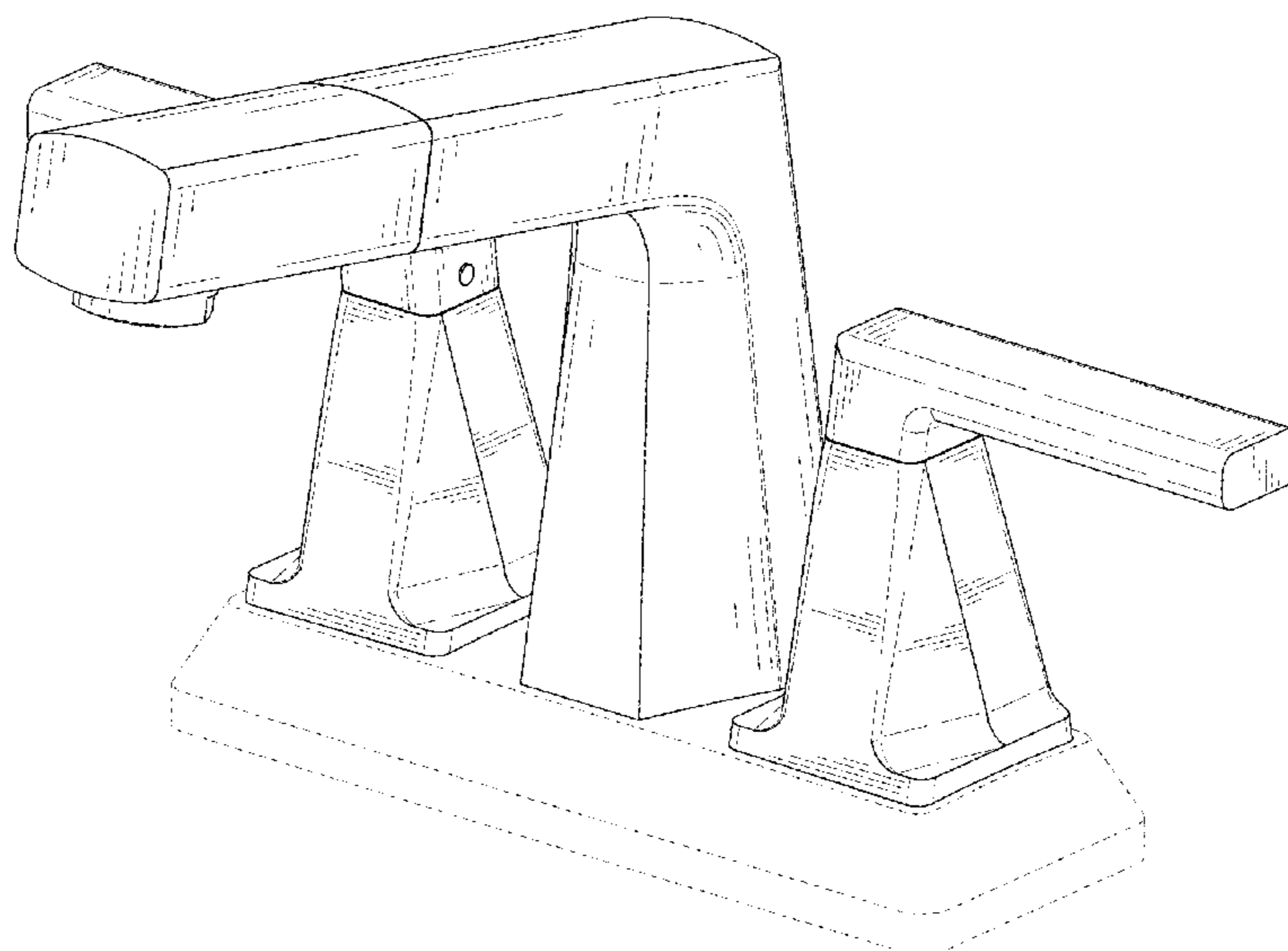
(57) **CLAIM**

The ornamental design for a faucet, as shown and described.

DESCRIPTION

FIG. 1 is a perspective view of a faucet showing my new design;
FIG. 2 is another perspective view thereof;
FIG. 3 is a front elevational view thereof;
FIG. 4 is a rear elevational view thereof;
FIG. 5 is a left side elevational view thereof;
FIG. 6 is a right side elevational view thereof;
FIG. 7 is a top plan view thereof; and
FIG. 8 is a bottom plan view thereof.
FIG. 9 is an enlarged view of portion 9 shown in FIG. 2; and,
FIG. 10 is an enlarged view of portion 10 shown in FIG. 3.
The dashed broken lines in the figures illustrate portions of the faucet that form no part of the claimed design. The dash dot dash lines showing the enlargements in FIGS. 2, 3, 9, and 10 form no part of the claimed design.

1 Claim, 10 Drawing Sheets



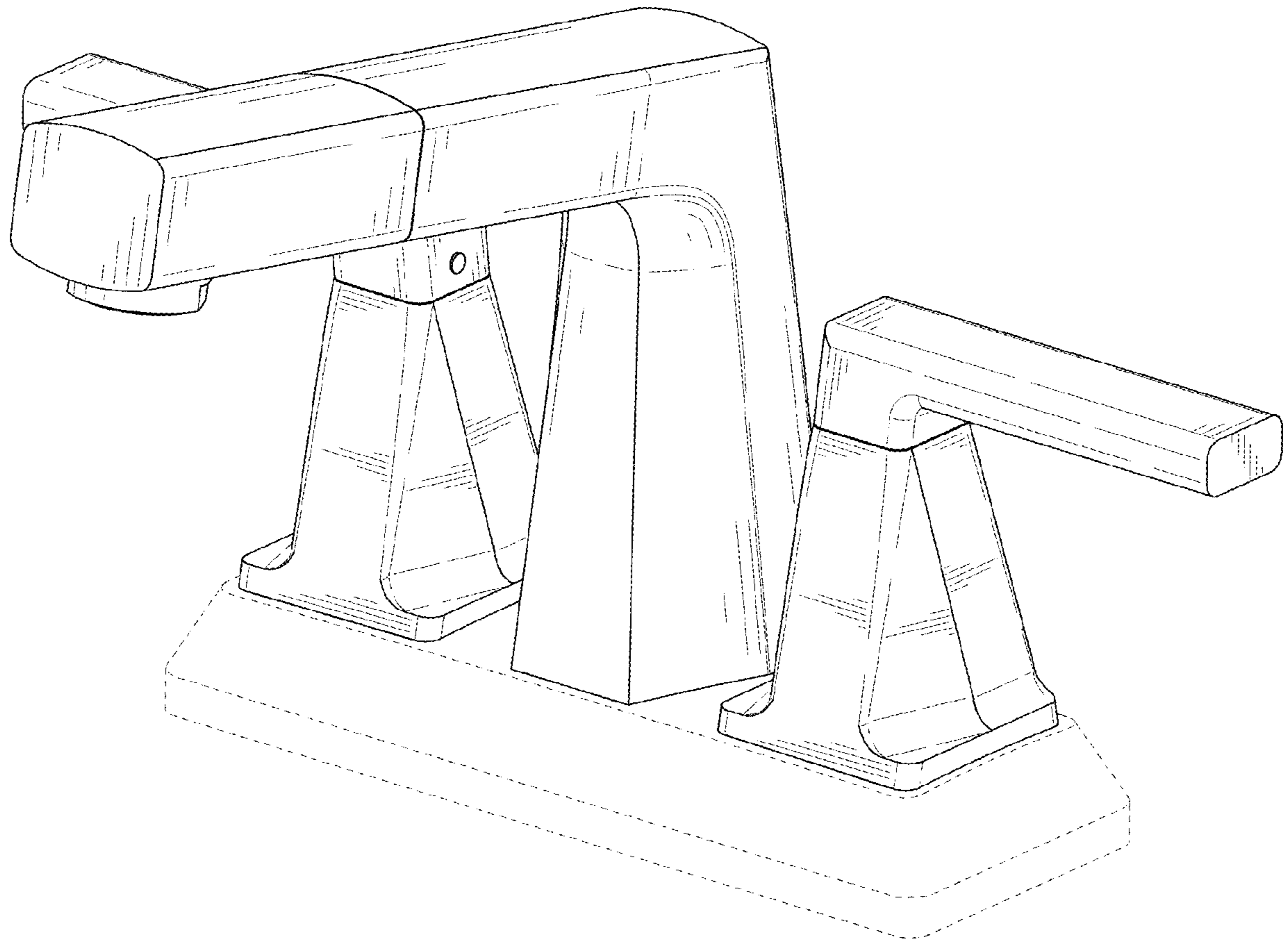


FIG. 1

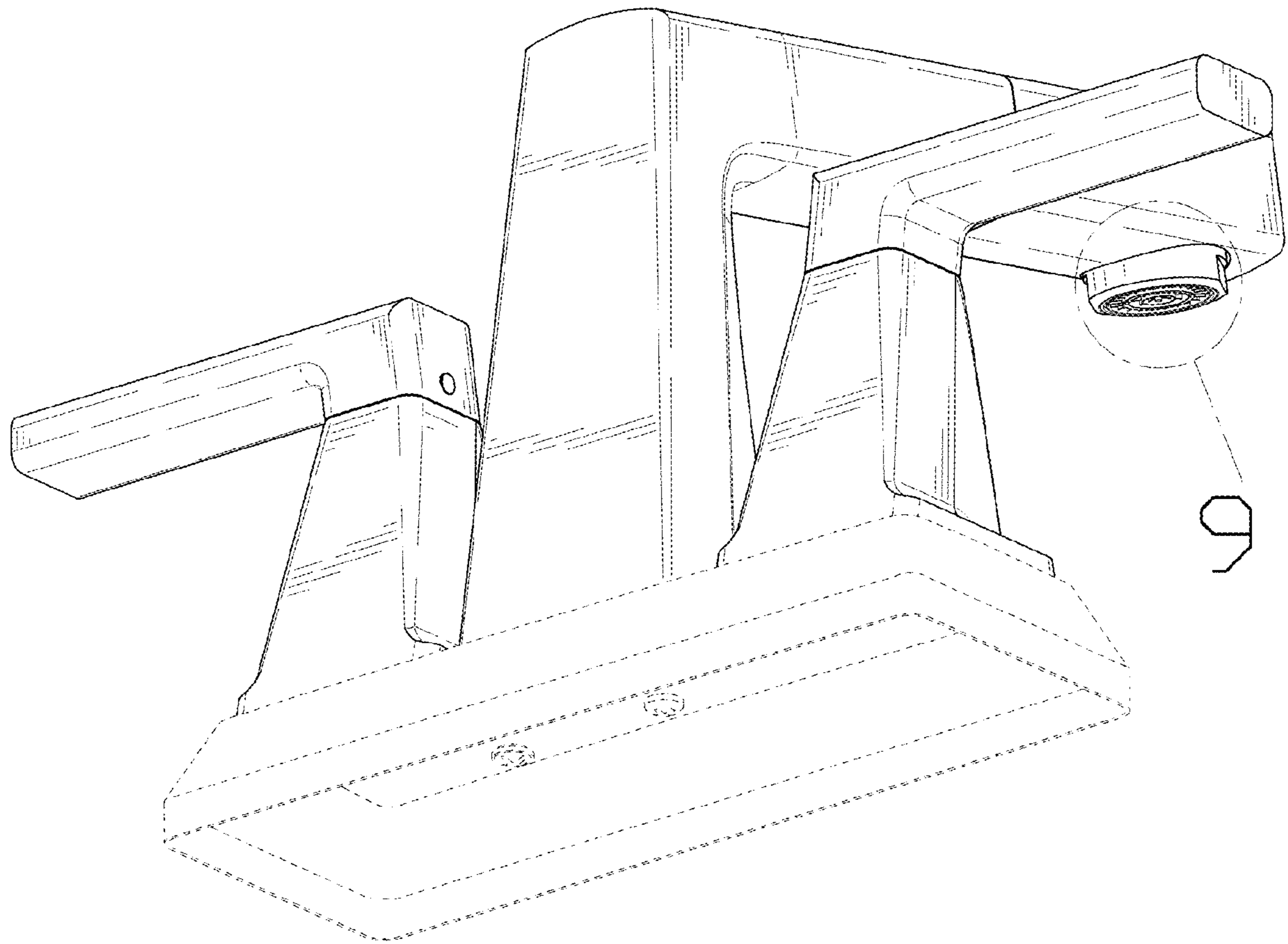


FIG. 2

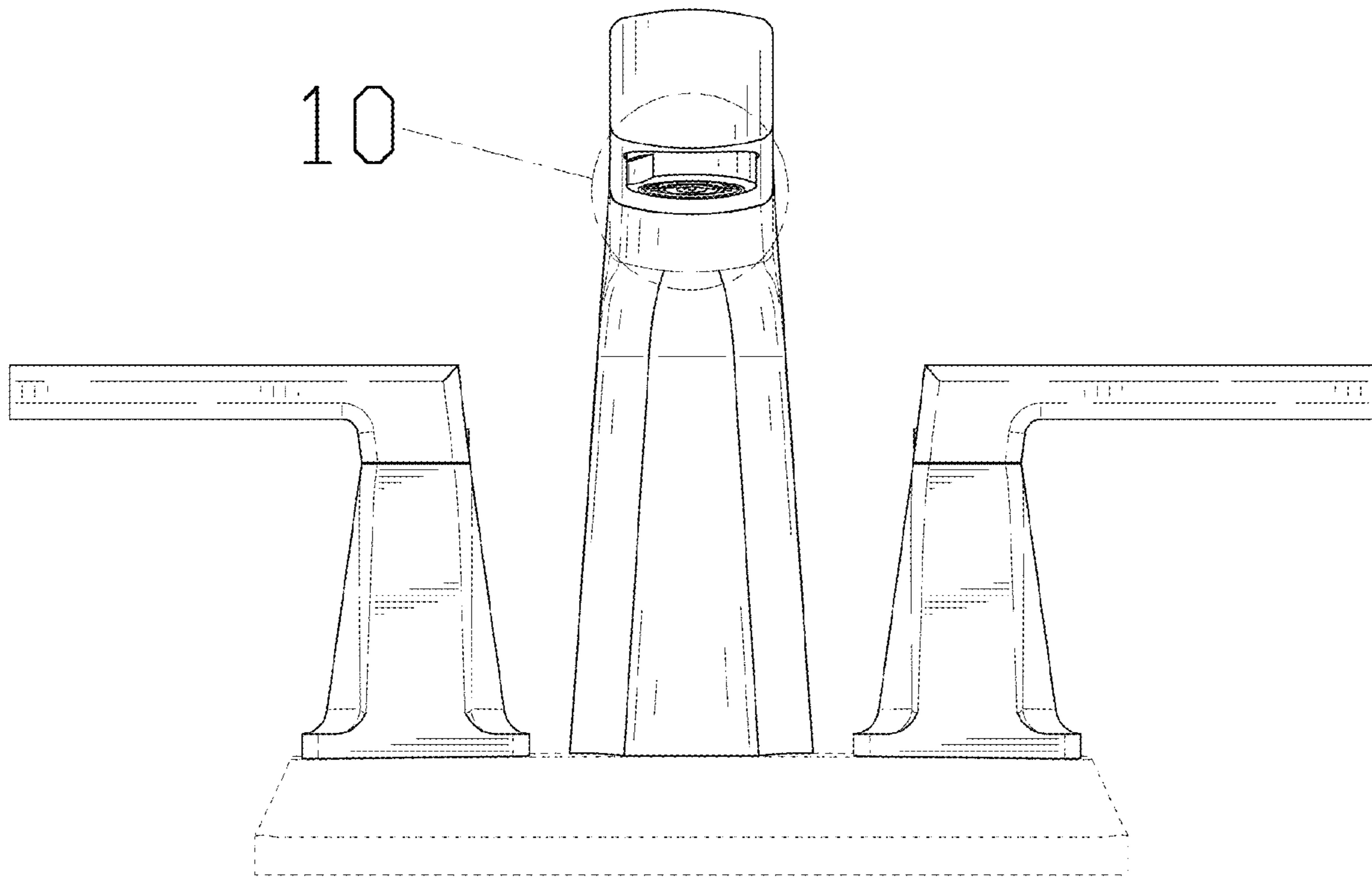


FIG. 3

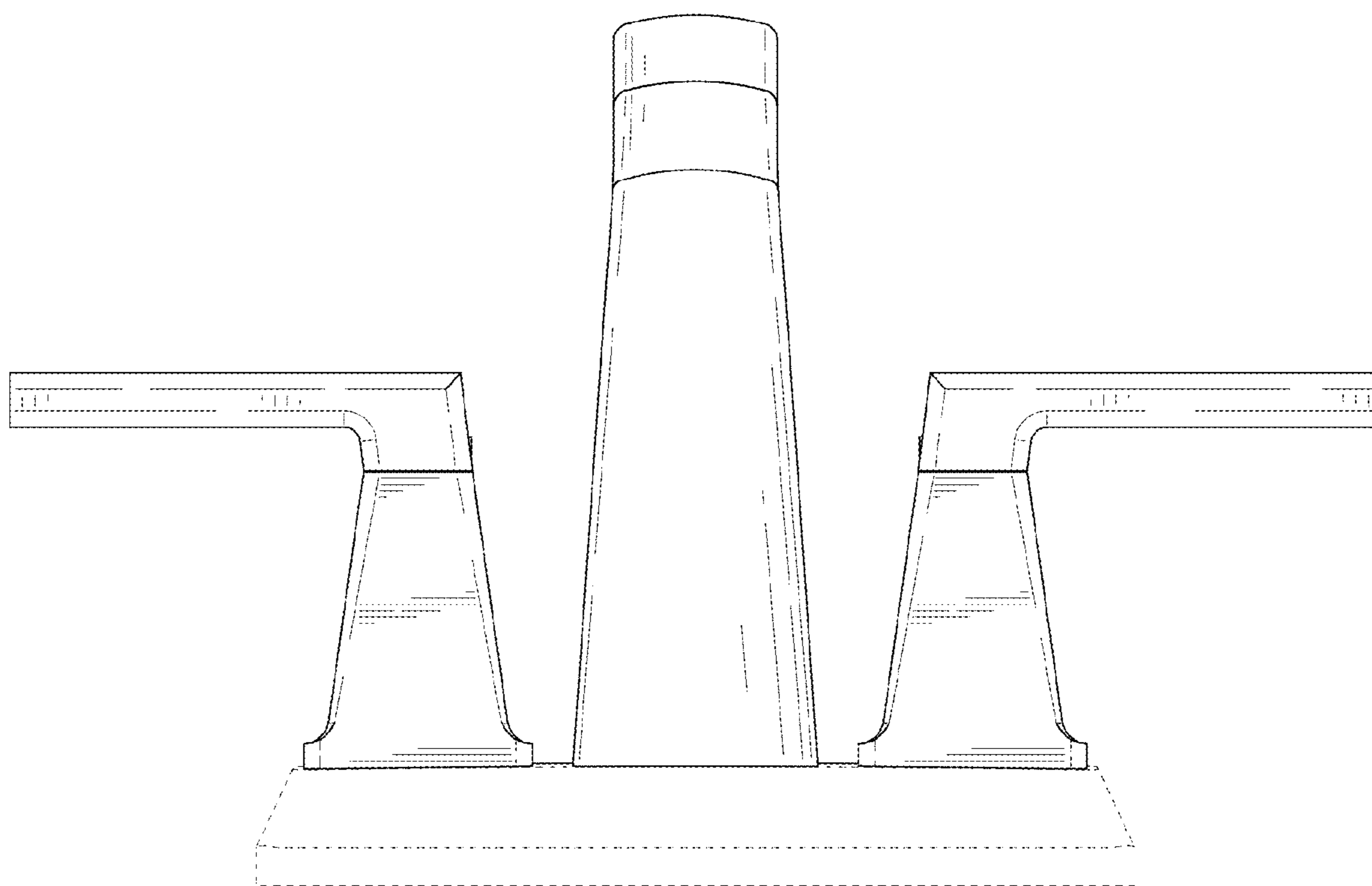


FIG. 4

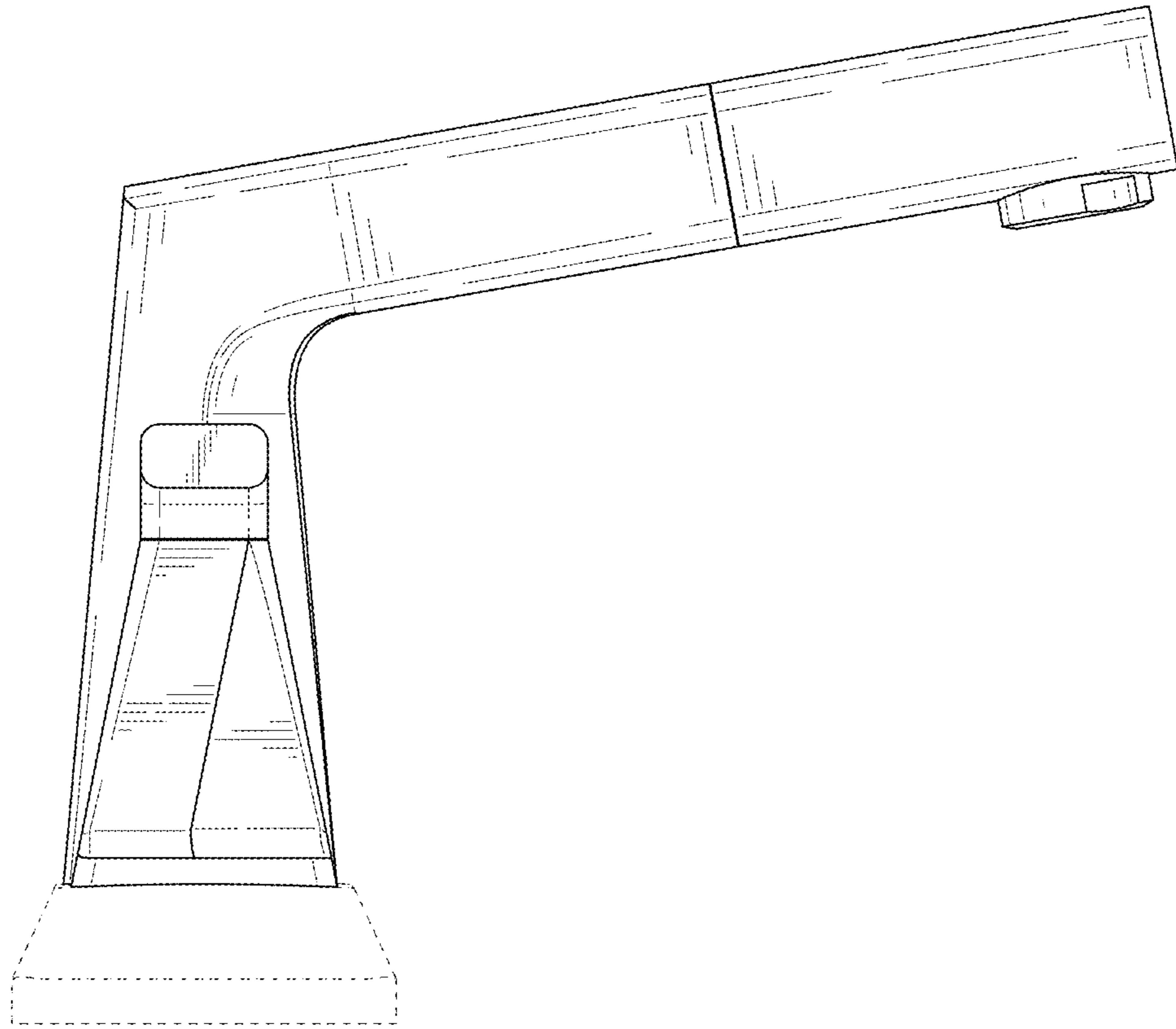


FIG. 5

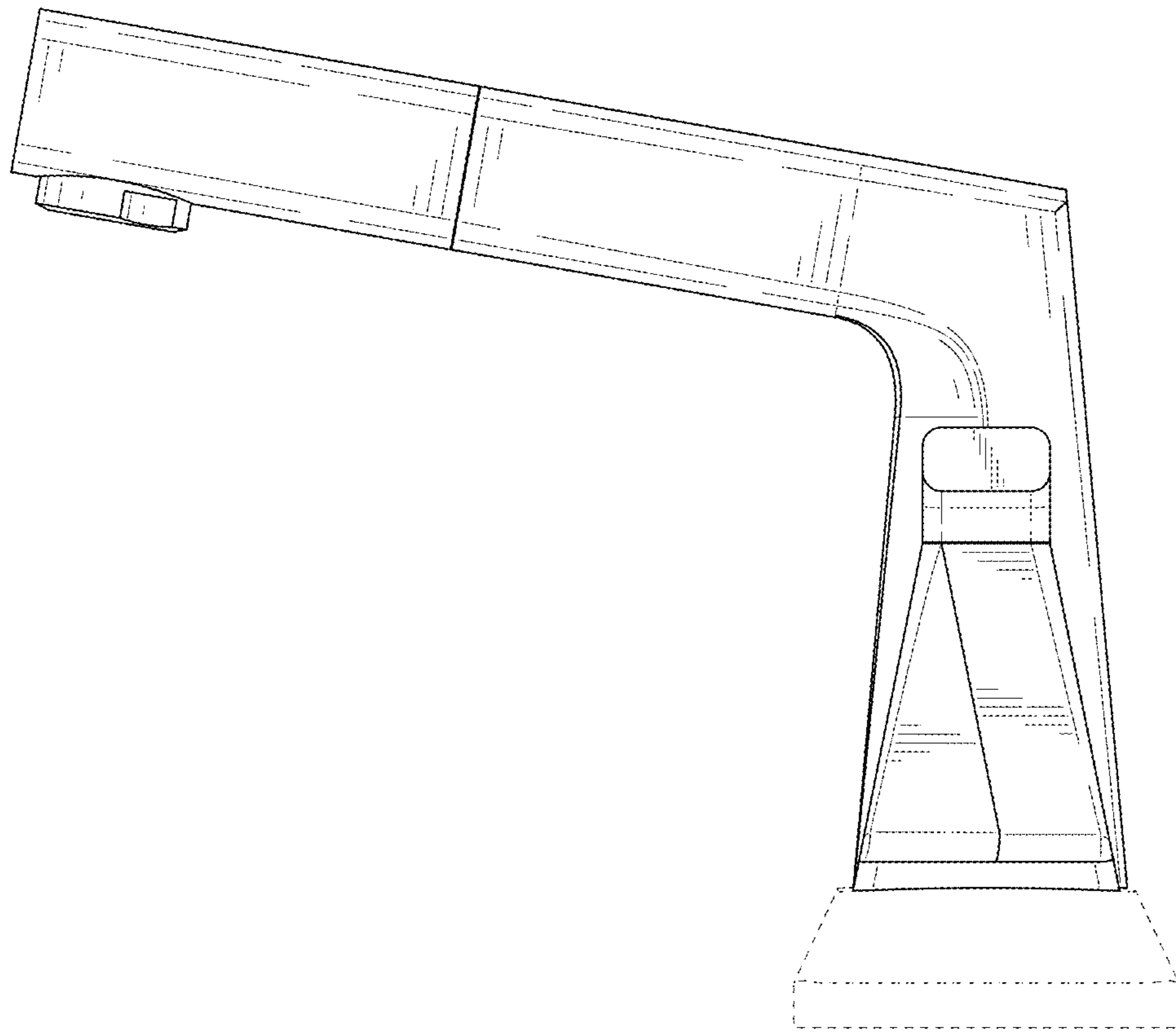


FIG. 6

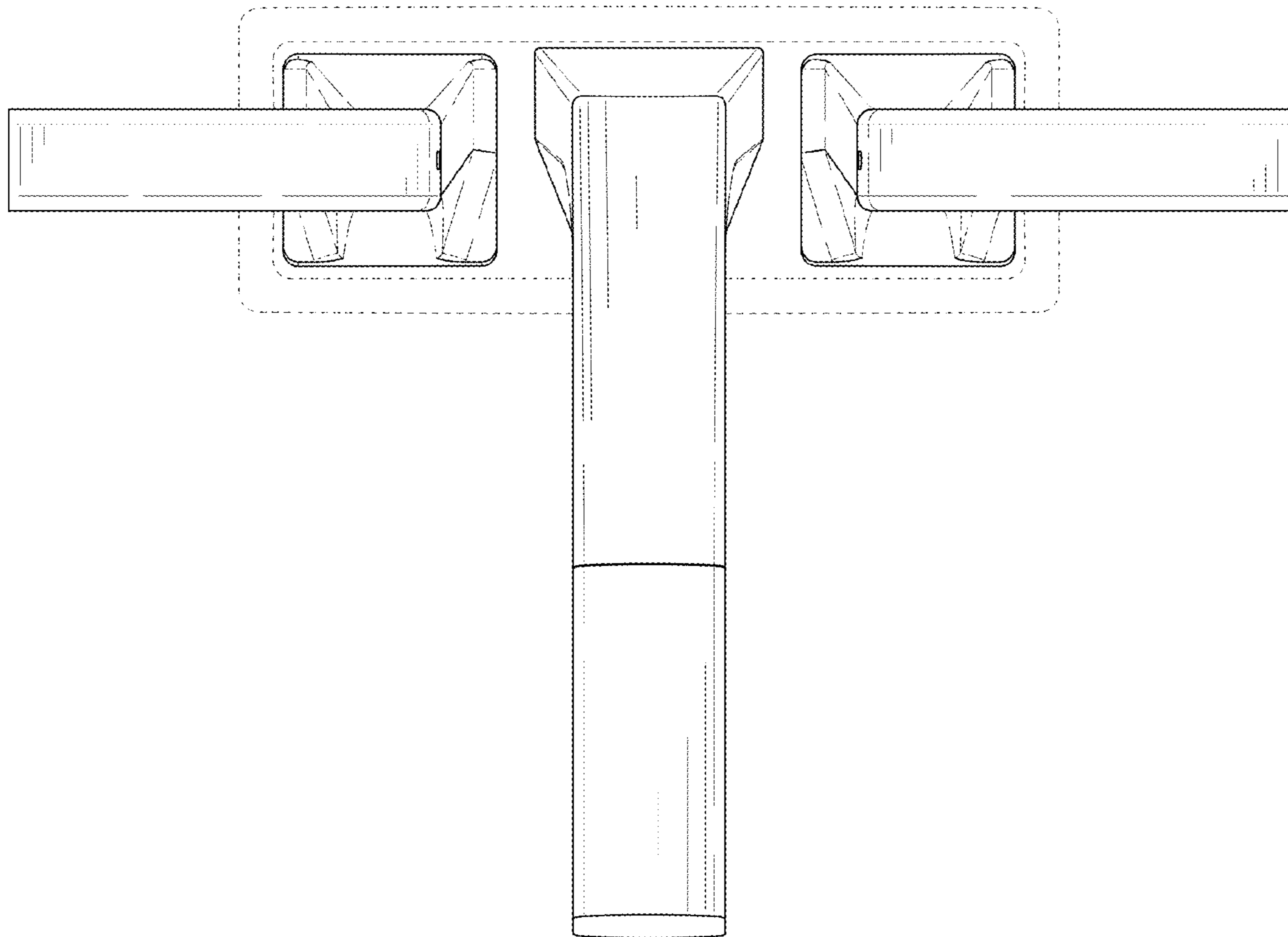


FIG. 7

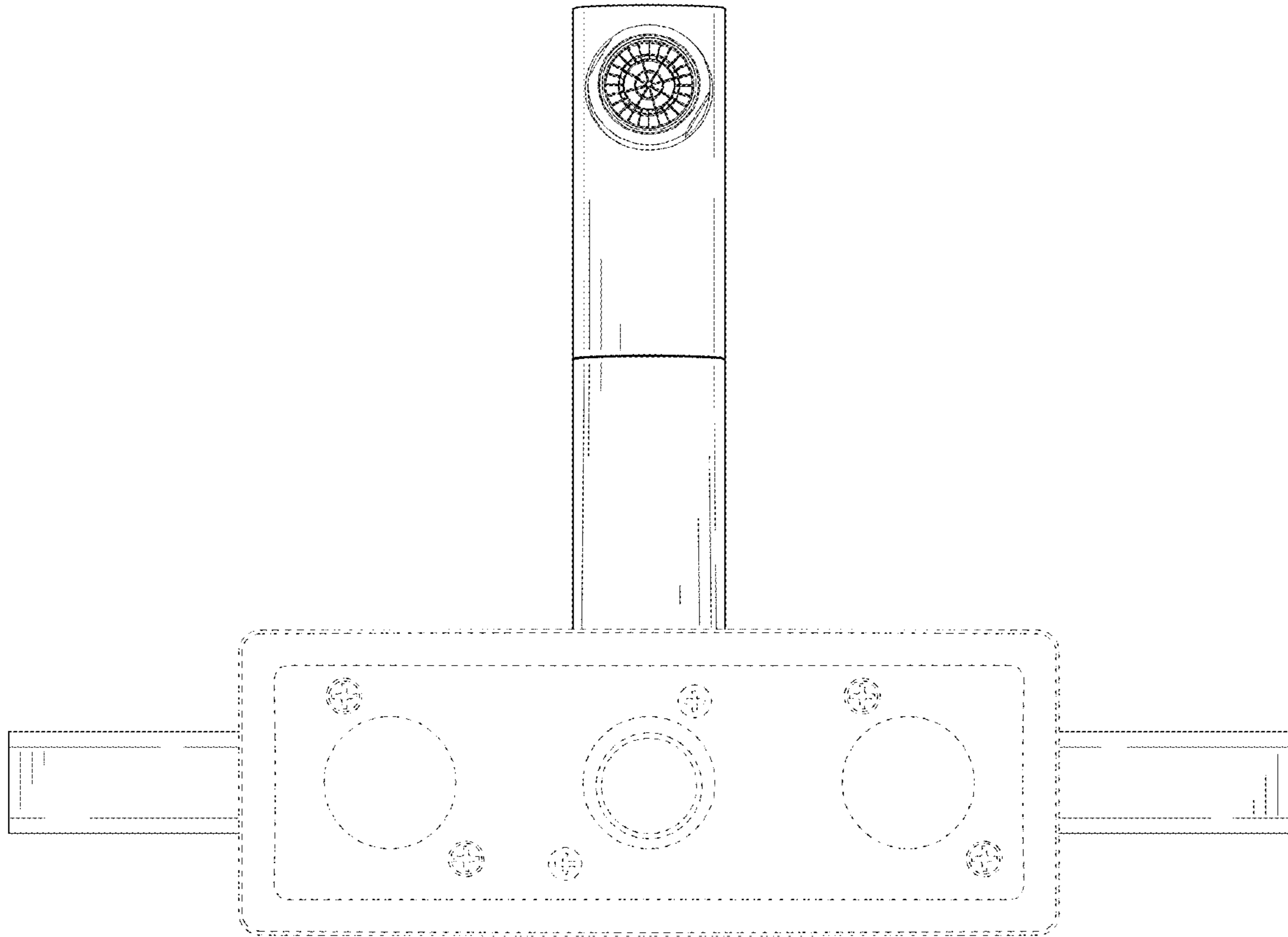


FIG. 8

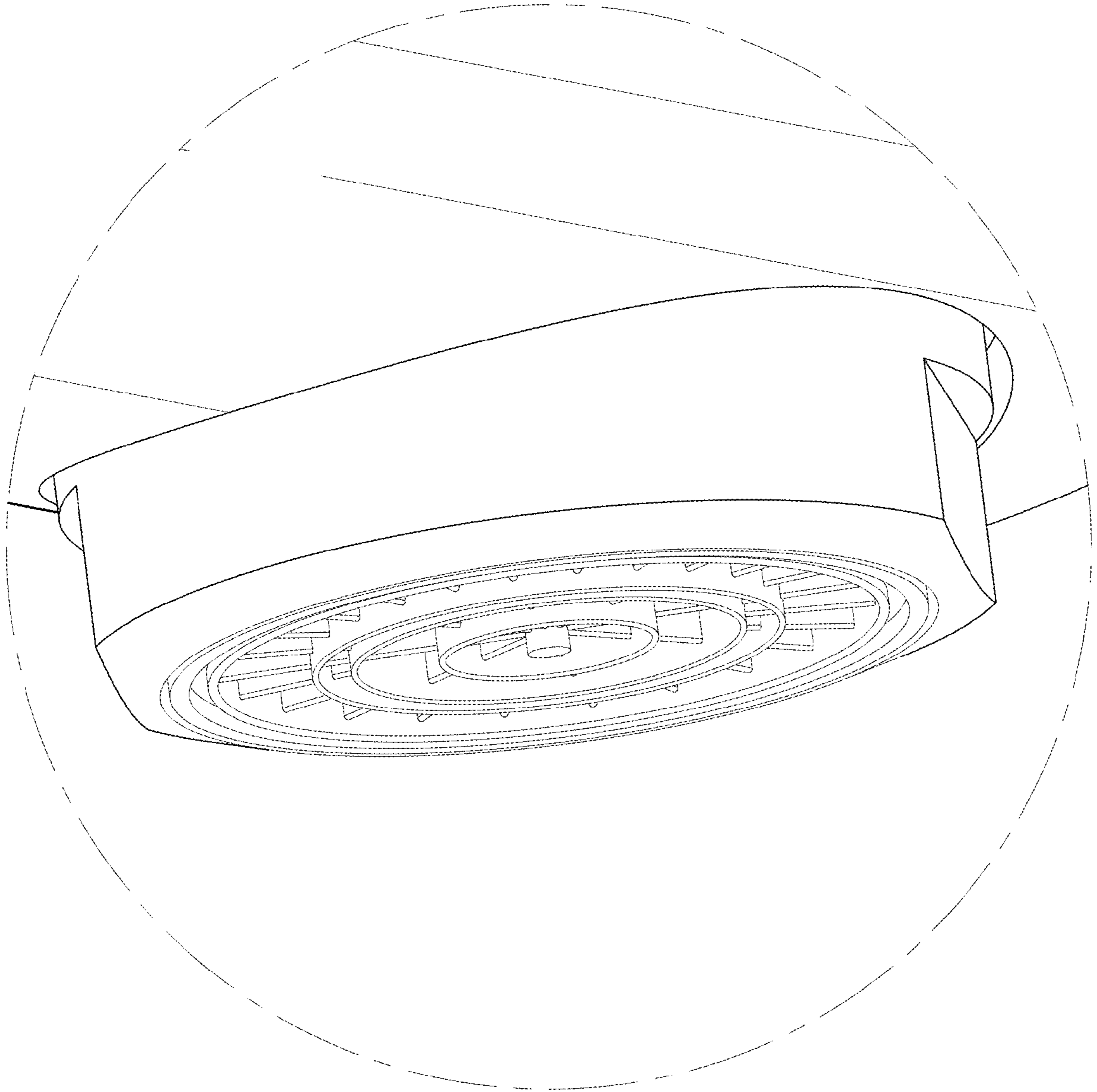


FIG. 9

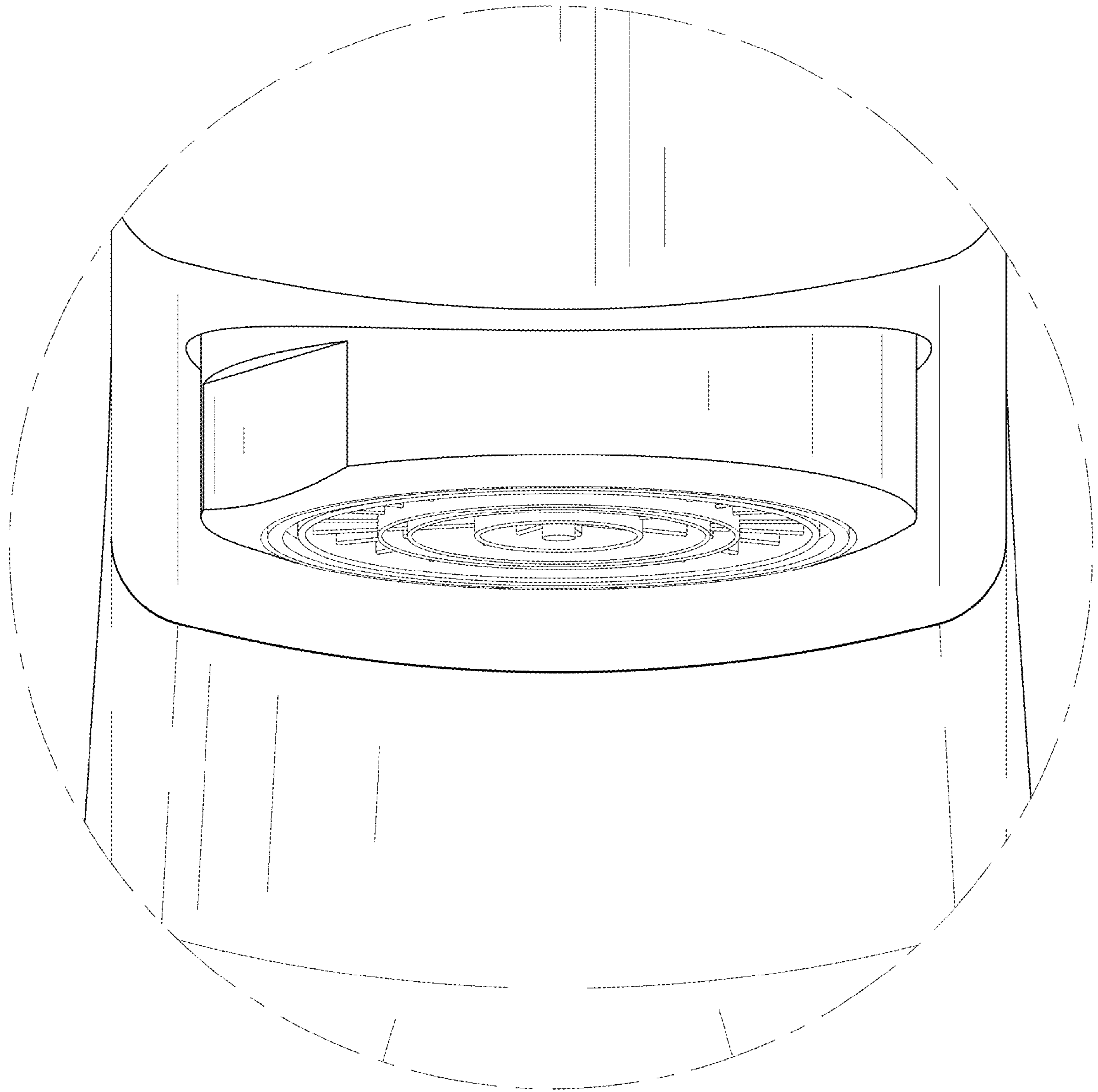


FIG. 10