

US00D966464S

(12) **United States Design Patent** (10) **Patent No.:** **US D966,464 S**
Yang et al. (45) **Date of Patent:** **** Oct. 11, 2022**

- (54) **SHOWER KIT**
- (71) Applicant: **XIAMEN LOTA INTERNATIONAL CO., LTD.**, Xiamen (CN)
- (72) Inventors: **Yanping Yang**, Xiamen (CN); **Fahong Chen**, Xiamen (CN); **Yunlong Xie**, Xiamen (CN); **Liming Ye**, Xiamen (CN)
- (73) Assignee: **XIAMEN LOTA INTERNATIONAL CO., LTD.**, Xiamen (CN)

- D659,797 S * 5/2012 Farley D23/223
- D666,010 S * 8/2012 Farley D6/309
- D680,619 S * 4/2013 Zhadanov D23/223
- D681,776 S * 5/2013 Cutler D23/223
- D704,301 S * 5/2014 Standefer D23/304
- D705,900 S * 5/2014 Bailey D23/228
- D719,640 S * 12/2014 Yu D23/228
- D744,065 S * 11/2015 Peterson D23/223
- D744,611 S * 12/2015 Quinn D23/223
- D751,177 S * 3/2016 Ryu D23/304
- D755,346 S * 5/2016 Yan D23/223
- 9,404,243 B2 * 8/2016 Cacka B05B 1/1654

(Continued)

- (**) Term: **15 Years**
- (21) Appl. No.: **29/843,492**
- (22) Filed: **Jun. 21, 2022**
- (51) **LOC (13) Cl.** **23-01**
- (52) **U.S. Cl.**
USPC **D23/223**
- (58) **Field of Classification Search**
USPC D23/213, 214, 215, 223, 224, 226, D23/228-230
CPC A61H 9/0021; A61H 33/00; B05B 1/00; B05B 1/14; B05B 1/185; B05B 1/08; B05B 1/02; B05B 1/26; B05B 12/002; B05B 1/18; B05B 9/01
See application file for complete search history.

OTHER PUBLICATIONS

Delta Faucet Arvo 14 Series Single-Handle Tub and Shower Trim Kit, Apr. 20, 2021, amazon.ca, Aug. 22, 2022, URL: <https://www.amazon.ca/Delta-Faucet-Single-Handle-Champagne-144840-CZ-I/dp/B091FZZBLJ/> (Year: 2021).*

(Continued)

Primary Examiner — Keith J Wilson

(57) **CLAIM**

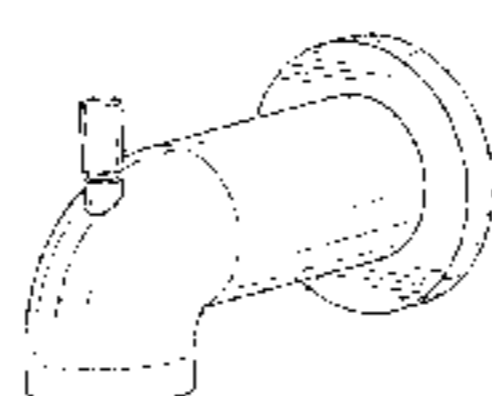
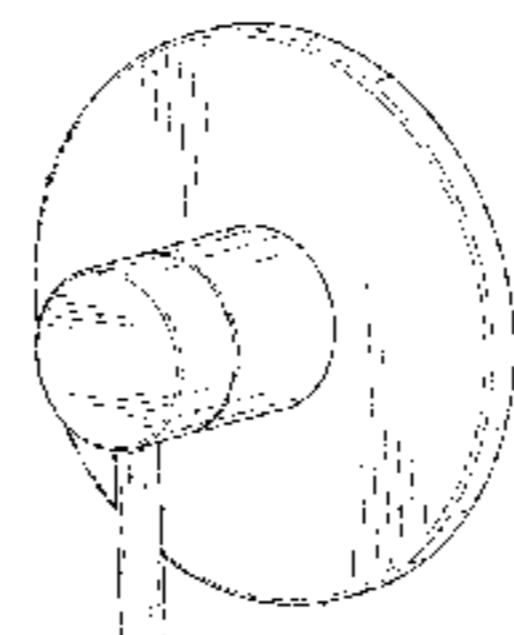
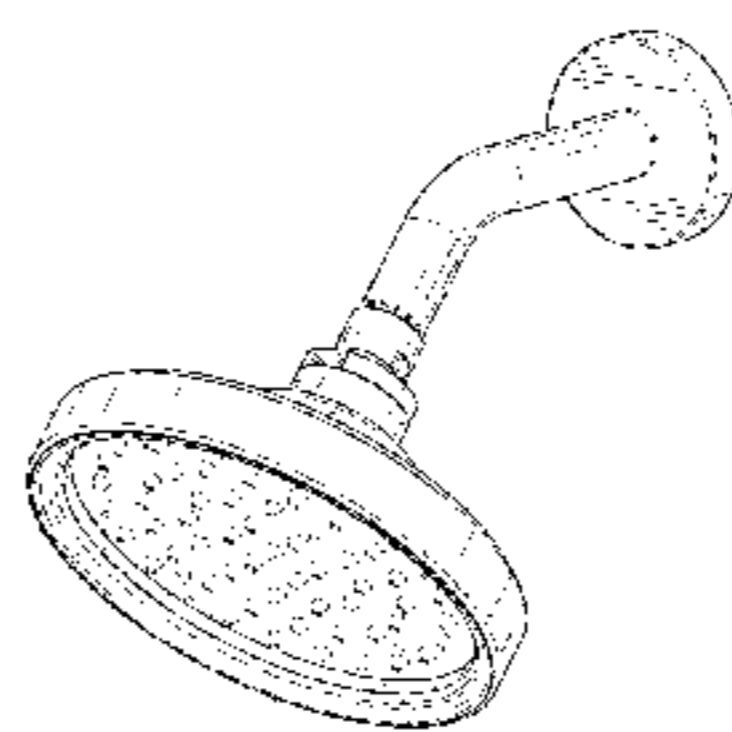
The ornamental design for a shower kit, as shown and described.

DESCRIPTION

FIG. 1 is a perspective view of a shower kit showing our new design;
FIG. 2 is another perspective view thereof;
FIG. 3 is a front elevational view thereof;
FIG. 4 is a rear elevational view thereof;
FIG. 5 is a left side elevational view thereof;
FIG. 6 is a right side elevational view thereof;
FIG. 7 is a top plan view thereof; and,
FIG. 8 is a bottom plan view thereof.
The broken lines in the drawings depict portions of the shower kit that form no part of the claimed design.

1 Claim, 8 Drawing Sheets

- (56) **References Cited**
U.S. PATENT DOCUMENTS
6,537,455 B2 * 3/2003 Farley C02F 1/003
210/251
D541,382 S 4/2007 Hoernig
D559,945 S * 1/2008 Patterson D23/213
D564,621 S * 3/2008 Lammel D23/223
D581,014 S * 11/2008 Quinn D23/223
7,866,576 B1 * 1/2011 Farley E03C 1/0409
239/553
D634,810 S * 3/2011 Yoo D23/213
D659,796 S * 5/2012 Farley D23/223



(56)

References Cited

U.S. PATENT DOCUMENTS

D779,039 S * 2/2017 Hanna D23/223
9,764,339 B2 * 9/2017 Yu B05B 1/18
D810,861 S * 2/2018 Weaver D23/213
D820,949 S * 6/2018 Reinecker D23/213
D828,909 S 9/2018 Liu et al.
D841,128 S * 2/2019 Zhou D23/228
D842,967 S * 3/2019 Farley D23/213
D857,842 S * 8/2019 Yu D23/213
D884,122 S * 5/2020 Seum D23/228
D884,834 S * 5/2020 Breda D23/228
D922,532 S * 6/2021 Pan D23/228
2012/0031511 A1 * 2/2012 Farley E03C 1/0408
137/544
2019/0091715 A1 * 3/2019 Mercado B05B 1/185
2021/0254755 A1 * 8/2021 Harris E03C 1/021

OTHER PUBLICATIONS

Pfister Deckard Tub and Shower Trim, Matte Black, Feb. 22, 2018, amazon.ca, Aug. 22, 2022, URL: <https://www.amazon.ca/dp/B0798H165S/> (Year: 2018).*

Delta (Faucets) T14459-BL Trinsic Monitor 14 Series Tub & Shower Trim, Jun. 18, 2017, amazon.ca, Aug. 22, 2022, URL: <https://www.amazon.ca/dp/B06XJ172JQ/> (Year: 2017).*

* cited by examiner

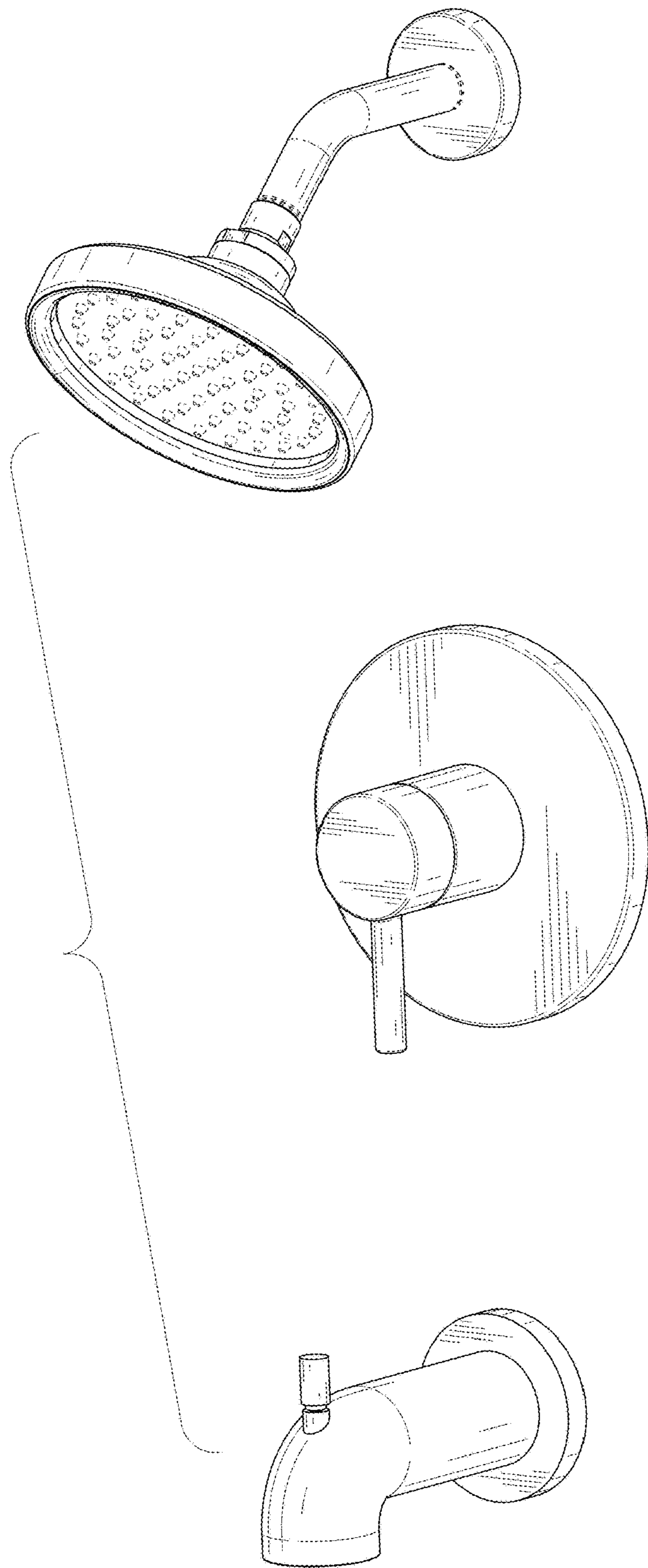


FIG. 1

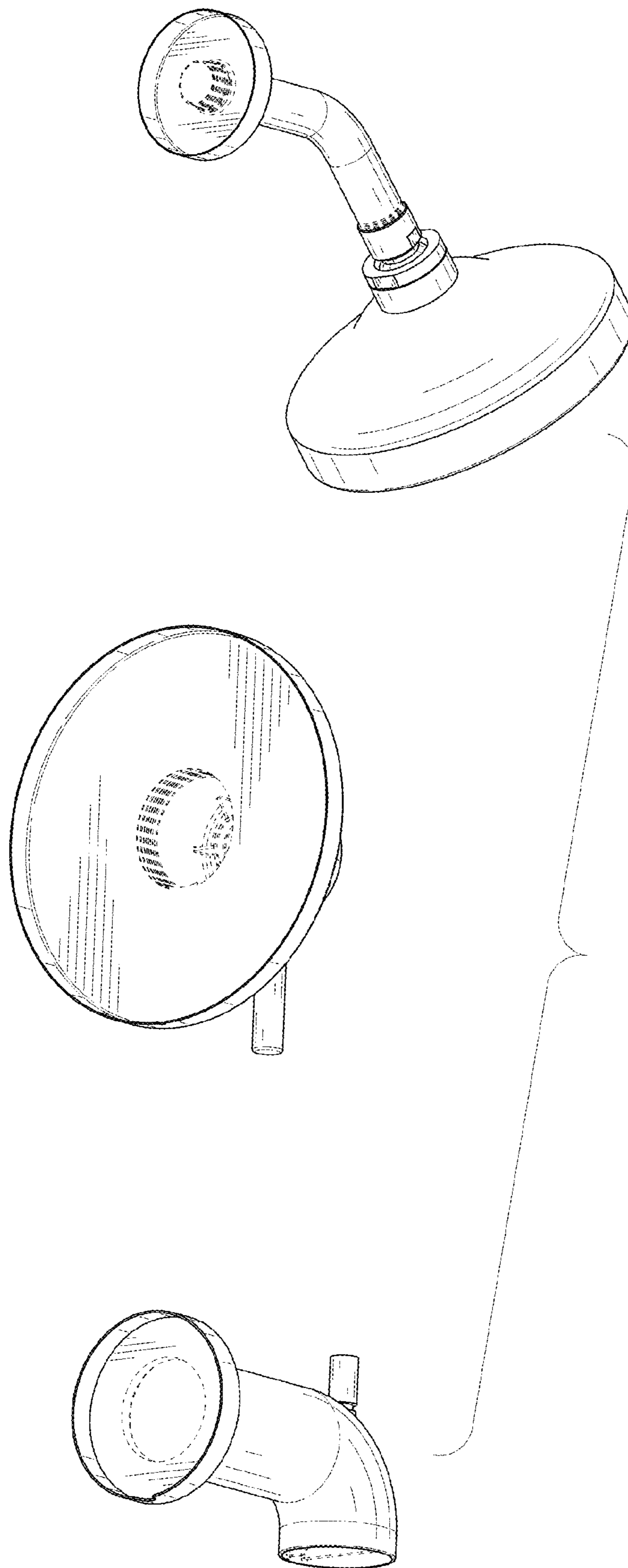


FIG. 2

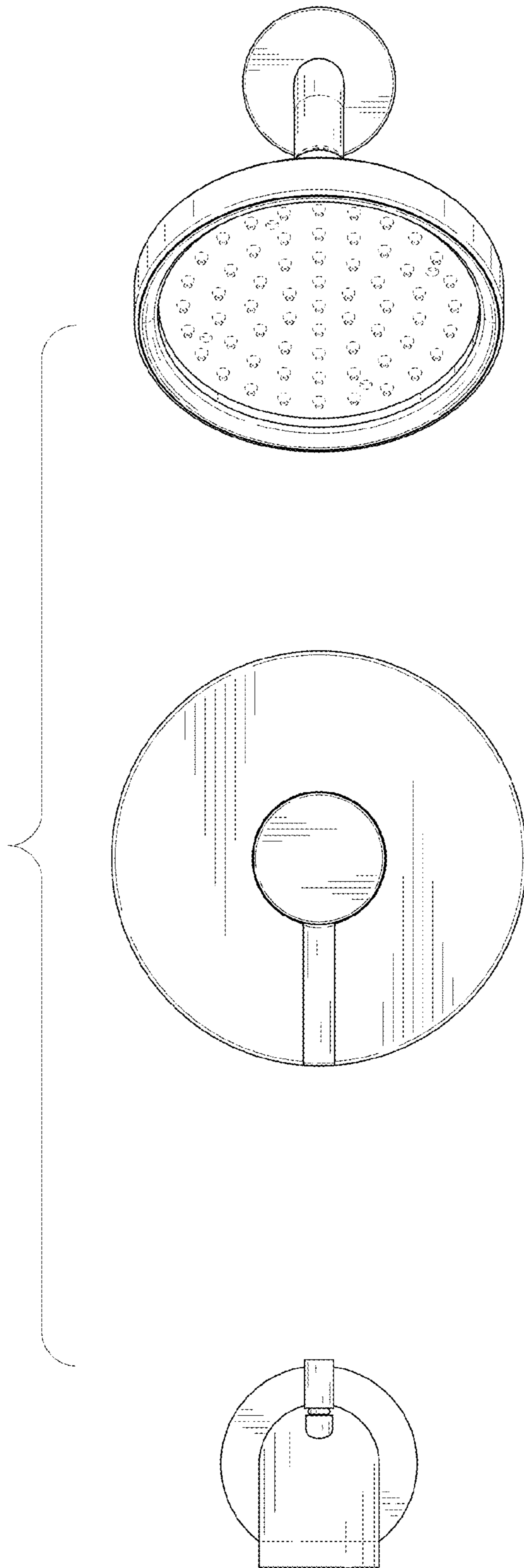


FIG. 3

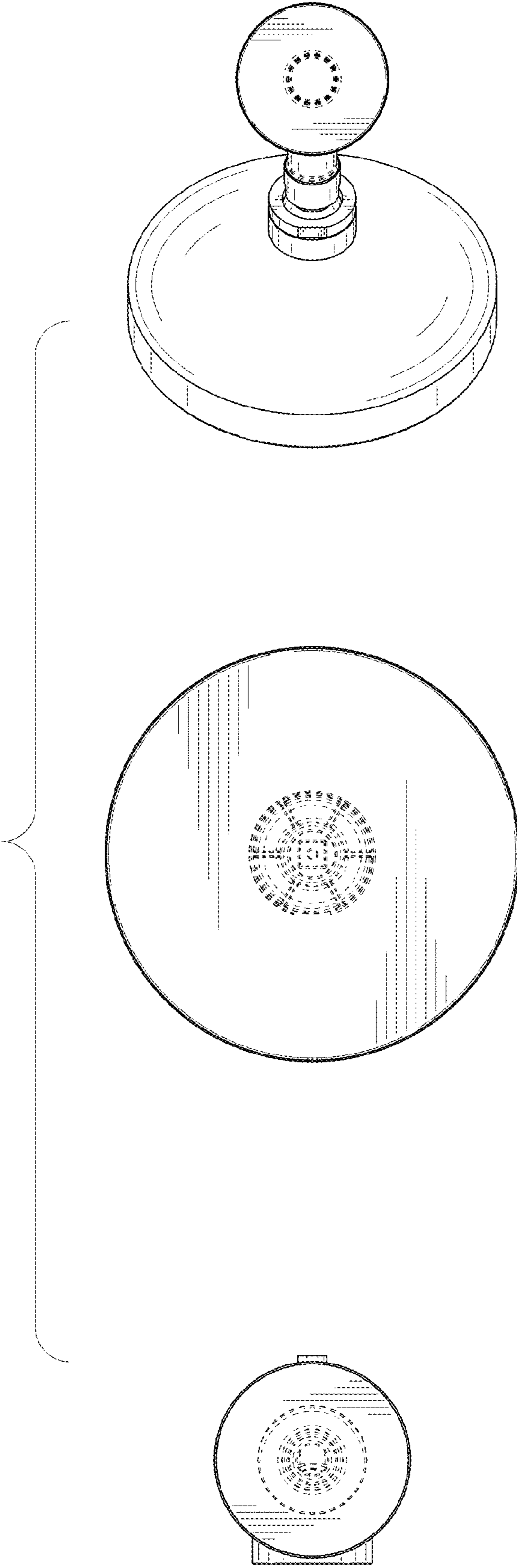


FIG. 4

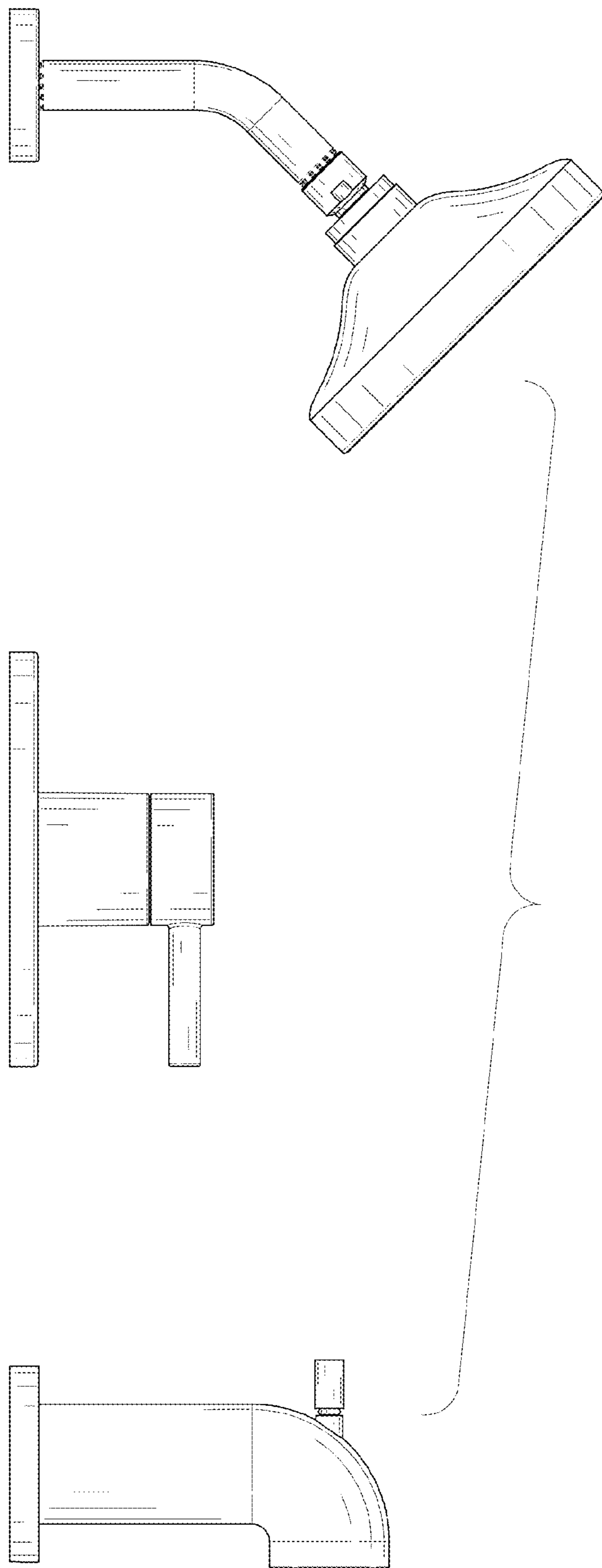


FIG. 5

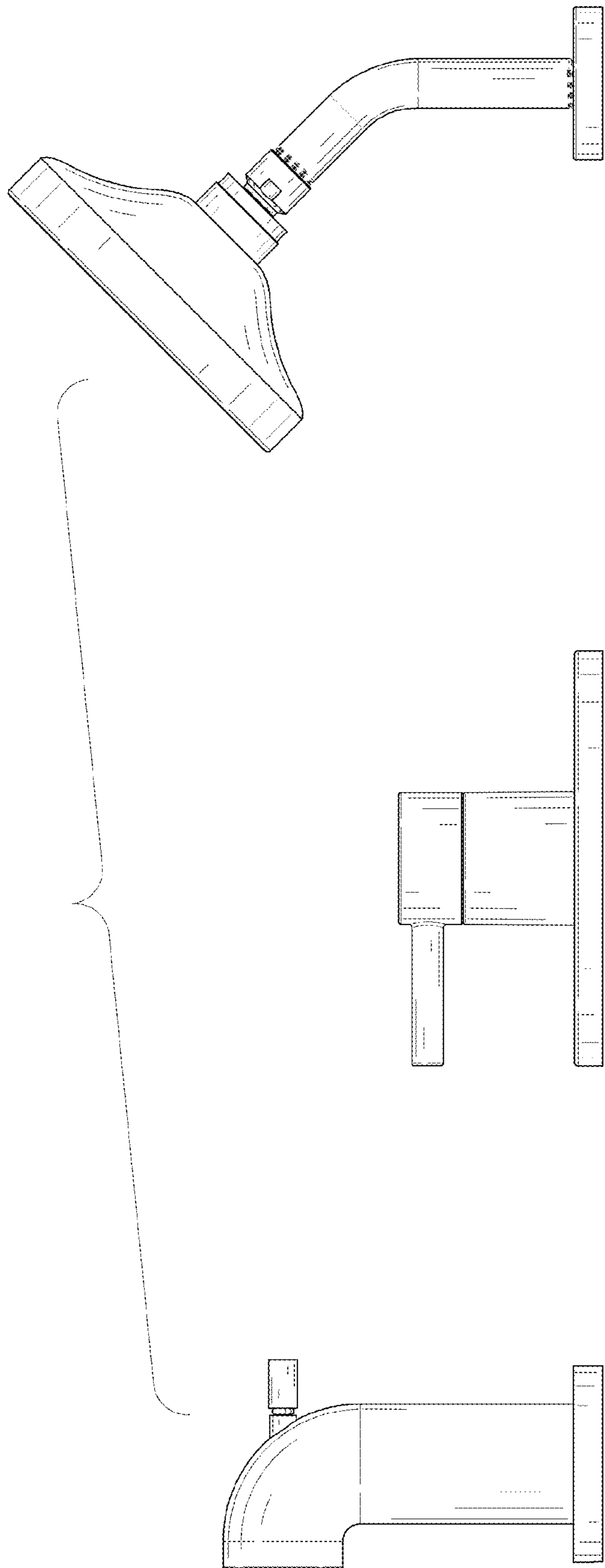


FIG. 6

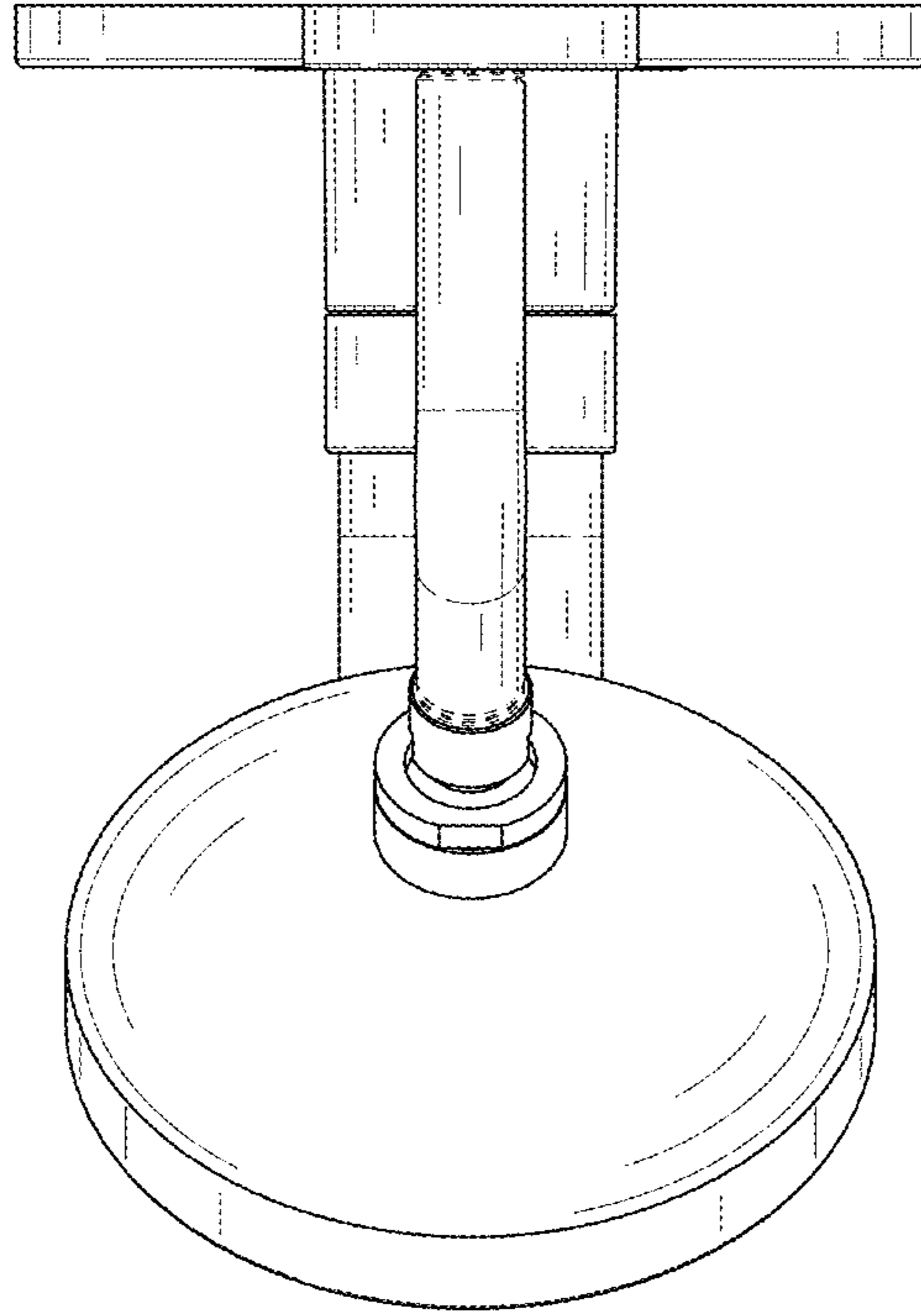


FIG. 7

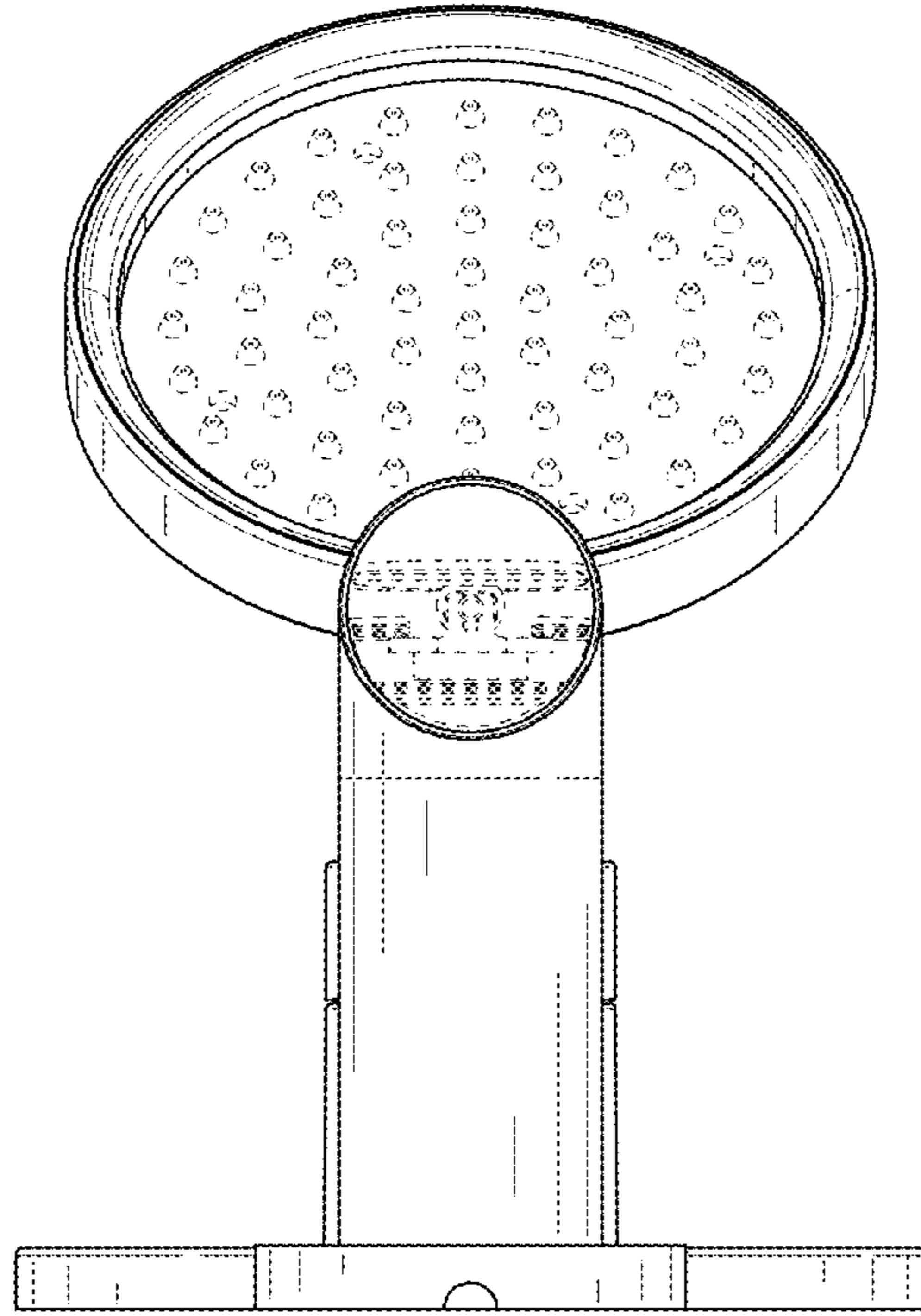


FIG. 8