



US00D966462S

(12) **United States Design Patent**
Zou

(10) **Patent No.:** **US D966,462 S**
(45) **Date of Patent:** **** Oct. 11, 2022**

(54) **FILTER CARTRIDGE**

(71) Applicant: **Qingdao Ecopure Filter Co., Ltd,**
Qingdao (CN)

(72) Inventor: **Zhibin Zou,** Qingdao (CN)

(**) Term: **15 Years**

(21) Appl. No.: **29/776,546**

(22) Filed: **Mar. 31, 2021**

(51) **LOC (13) Cl.** **23-01**

(52) **U.S. Cl.**
USPC **D23/209**

(58) **Field of Classification Search**
USPC D23/207, 209, 210, 325, 355, 363, 365;
D24/162
CPC B01D 27/00; B01D 27/08; B01D 29/00;
B01D 35/303; B01D 2201/306; B01D
2201/309; B01D 2221/02; C02F 1/002;
C02F 1/003; C02F 9/005; C02F 2307/02;
C02F 2307/04; C02F 2307/10
See application file for complete search history.

(56) **References Cited**

U.S. PATENT DOCUMENTS

D225,077 S *	11/1972	Martin	D7/400
D386,944 S *	12/1997	Demore	D23/209
D437,027 S *	1/2001	Flagler	D23/209
D483,459 S *	12/2003	DeWit	D23/365
D566,834 S *	4/2008	Barton	D24/110.6
D790,659 S *	6/2017	Rummel	D23/209
D792,941 S *	7/2017	Rummel	D23/209
D798,907 S *	10/2017	Krull	D15/5
D885,833 S *	6/2020	Zou	D7/400
2007/0227955 A1 *	10/2007	Walde	B01D 35/157 210/109
2007/0246421 A1 *	10/2007	Walde	C02F 1/003 210/477
2011/0315622 A1 *	12/2011	Moretto	C02F 1/003 29/428

2012/0152004 A1 *	6/2012	Bari	C02F 1/003 73/61.61
2013/0175228 A1 *	7/2013	Utsch	B01D 27/02 210/232
2013/0213877 A1 *	8/2013	Lin	B01D 27/148 210/338
2014/0054213 A1 *	2/2014	Chen	B01D 23/02 210/469
2014/0083924 A1 *	3/2014	Bergendal	B01D 35/02 210/451

(Continued)

OTHER PUBLICATIONS

Brita Maxtra filter cartridge, Jun. 10, 2013, Amazon, site visited
May 26, 2022: <https://www.amazon.co.uk/dp/B071FJ6FBW/> (Year:
2013).*

(Continued)

Primary Examiner — Jack Reickel
Assistant Examiner — Bobby W Jones, II

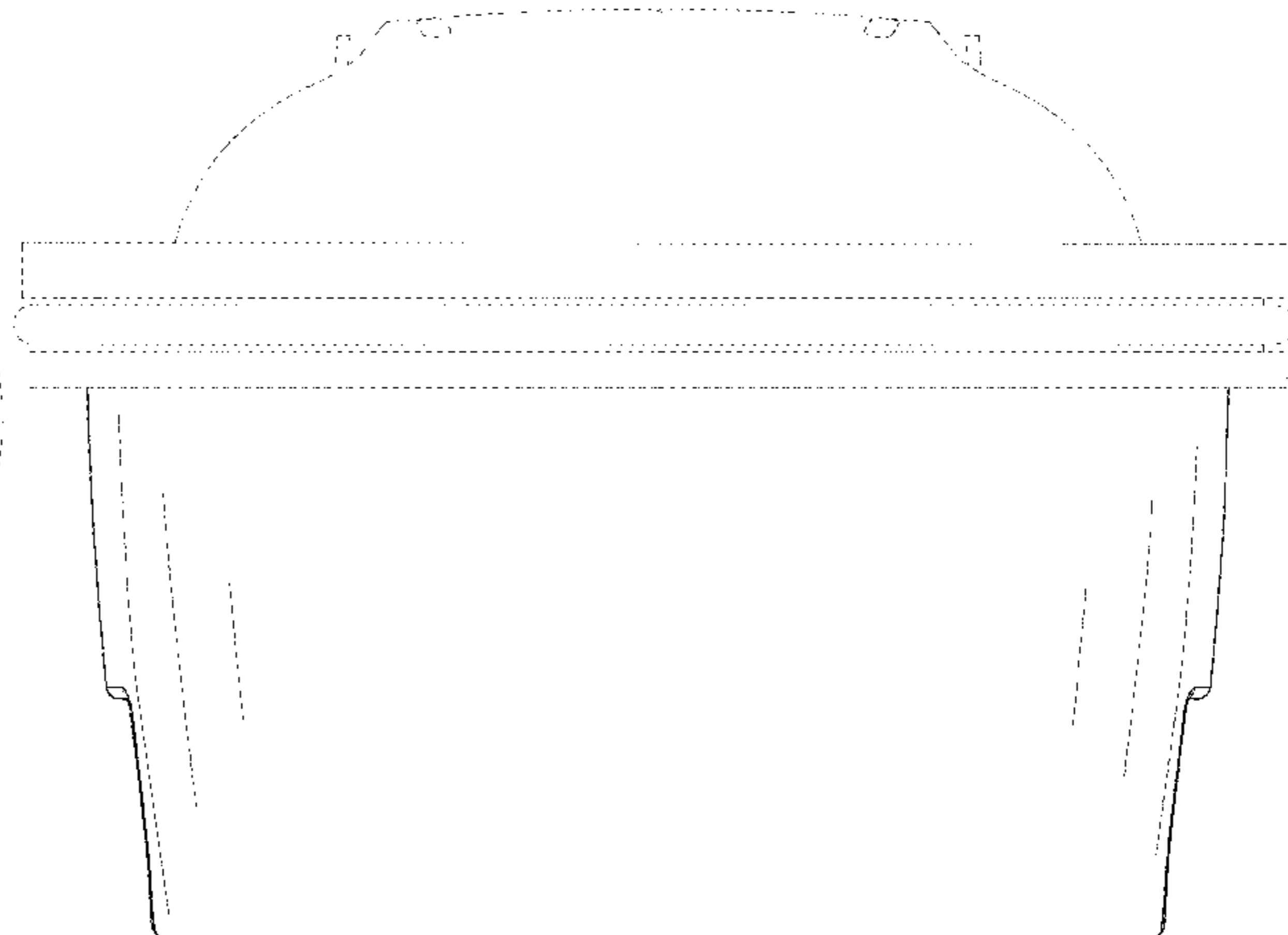
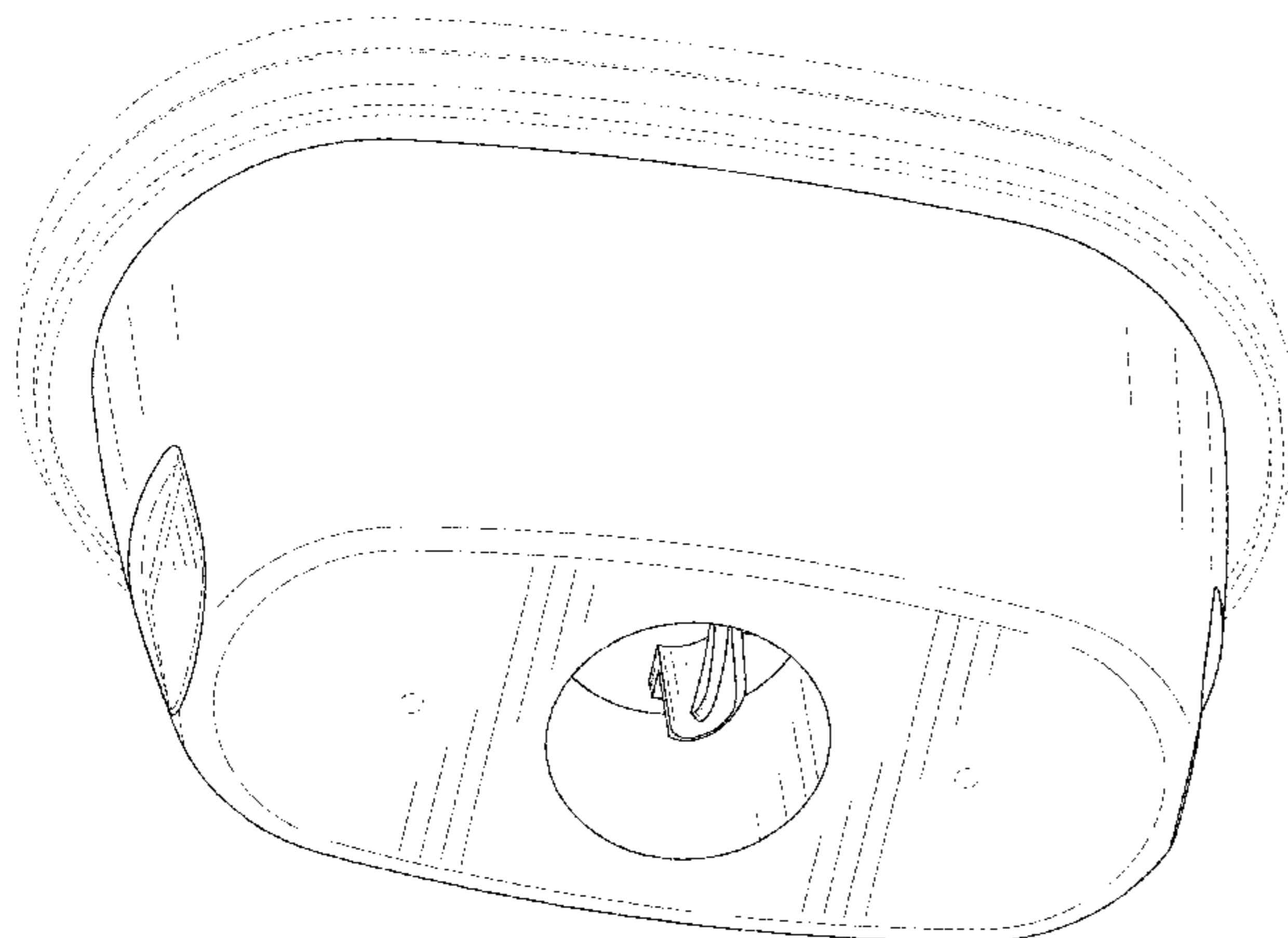
(57) **CLAIM**

The ornamental design for a filter cartridge, as shown and
described.

DESCRIPTION

FIG. 1 is a first perspective view of a filter cartridge showing
my new design;
FIG. 2 is a second perspective view thereof;
FIG. 3 is a front view thereof;
FIG. 4 is a back view thereof;
FIG. 5 is a left side view thereof;
FIG. 6 is a right side view thereof;
FIG. 7 is a top view thereof; and,
FIG. 8 is a bottom view thereof.
The broken lines shown in the drawings depict portions of
the filter cartridge in which the design is embodied that form
no part of the claimed design.

1 Claim, 8 Drawing Sheets



(56)

References Cited

U.S. PATENT DOCUMENTS

2014/0263014 A1* 9/2014 Moser C02F 1/003
210/202
2014/0263020 A1* 9/2014 MacDonald C02F 1/003
210/232
2015/0060495 A1* 3/2015 Steinway C02F 1/003
222/189.06
2016/0136545 A1* 5/2016 Takeda B01D 27/08
210/252
2018/0207560 A1* 7/2018 Shotey B01D 35/05
2018/0273398 A1* 9/2018 Pehar A45F 3/16
2019/0054411 A1* 2/2019 Miller B01D 29/58

OTHER PUBLICATIONS

Waterdrop Water Filter Cartridges, Jul. 15, 2018, Amazon, site visited May 26, 2022: <https://www.amazon.co.uk/dp/B07FLYLSW9/> (Year: 2018).*

* cited by examiner

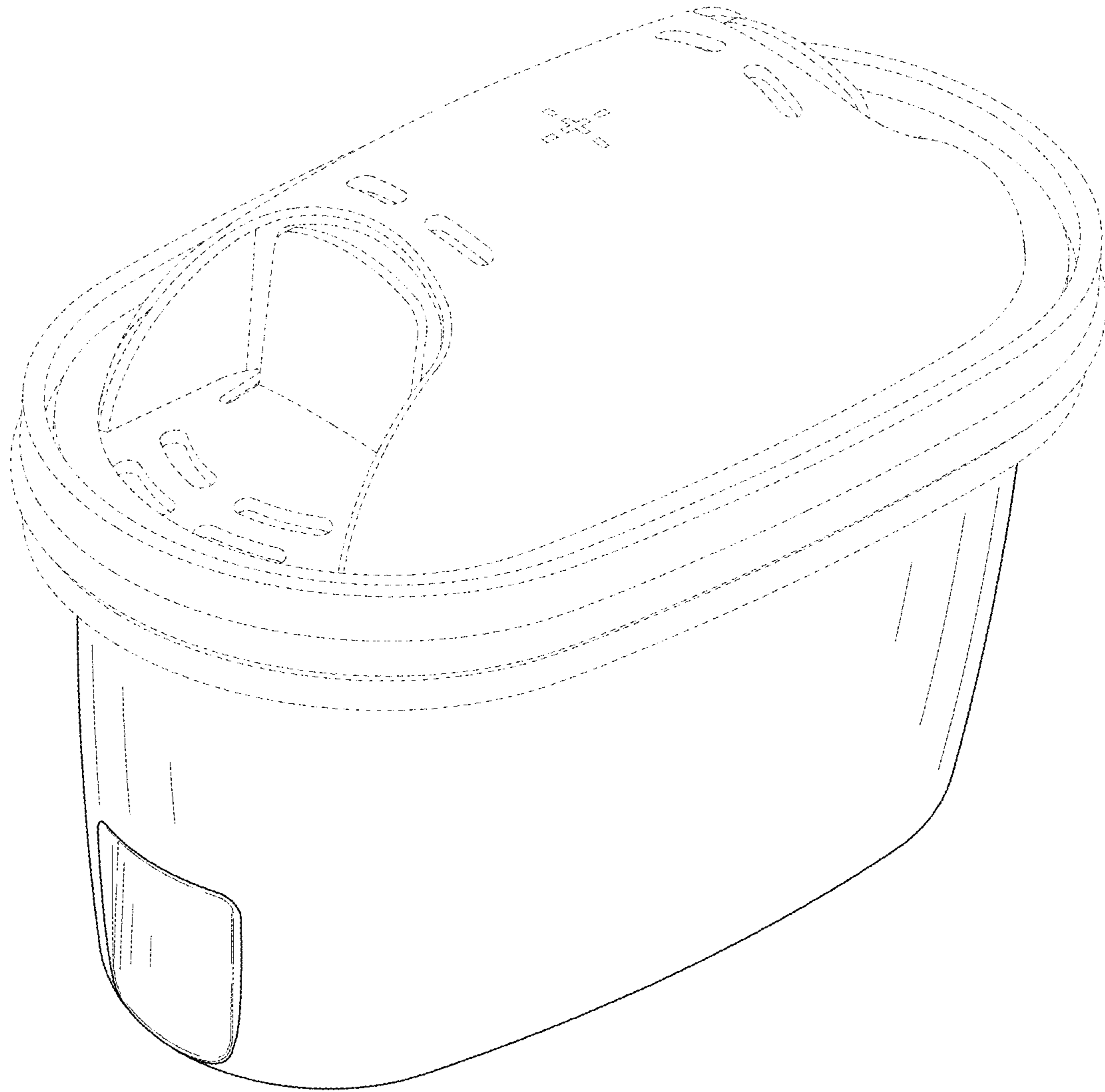


FIG. 1

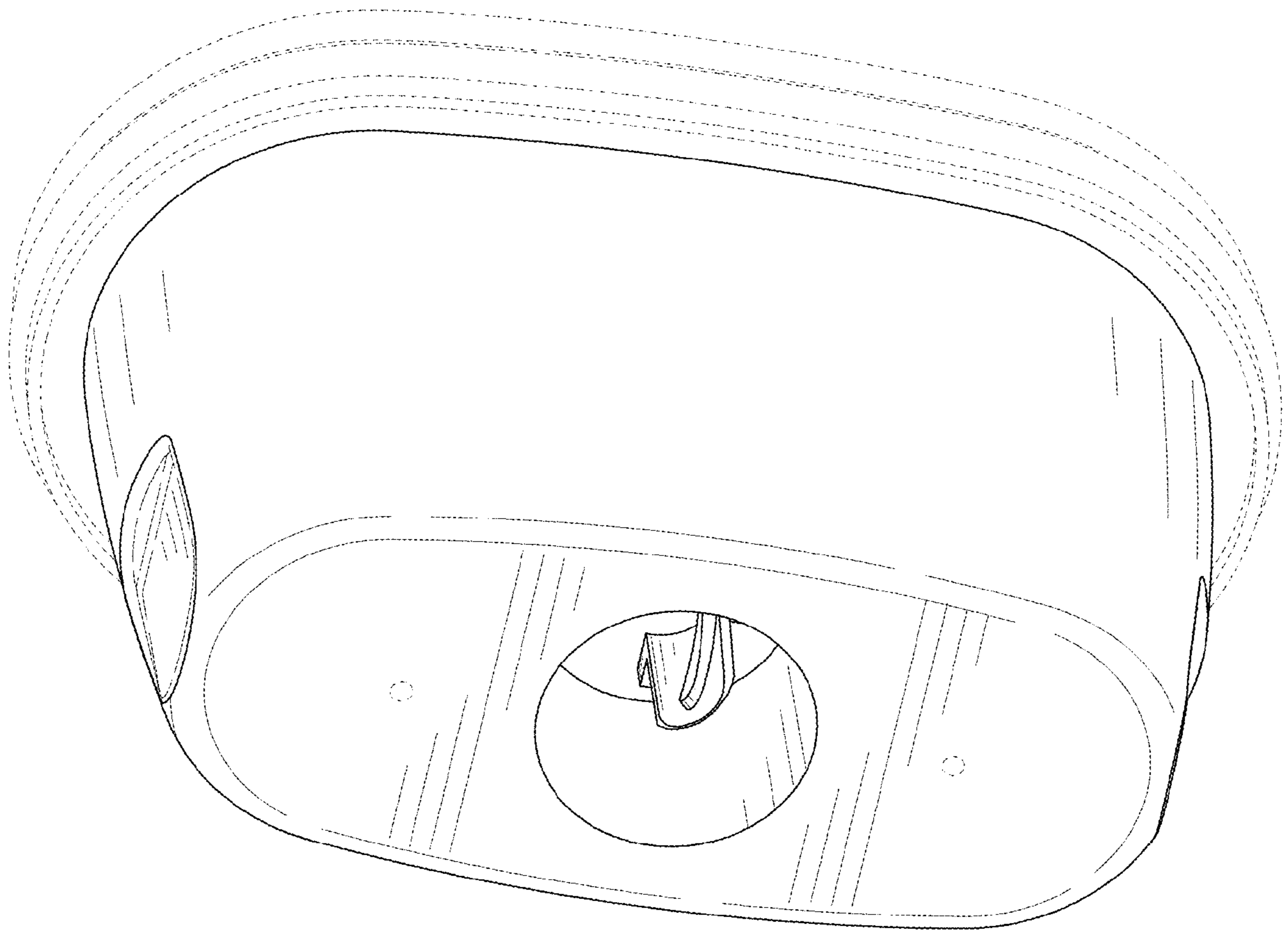


FIG. 2

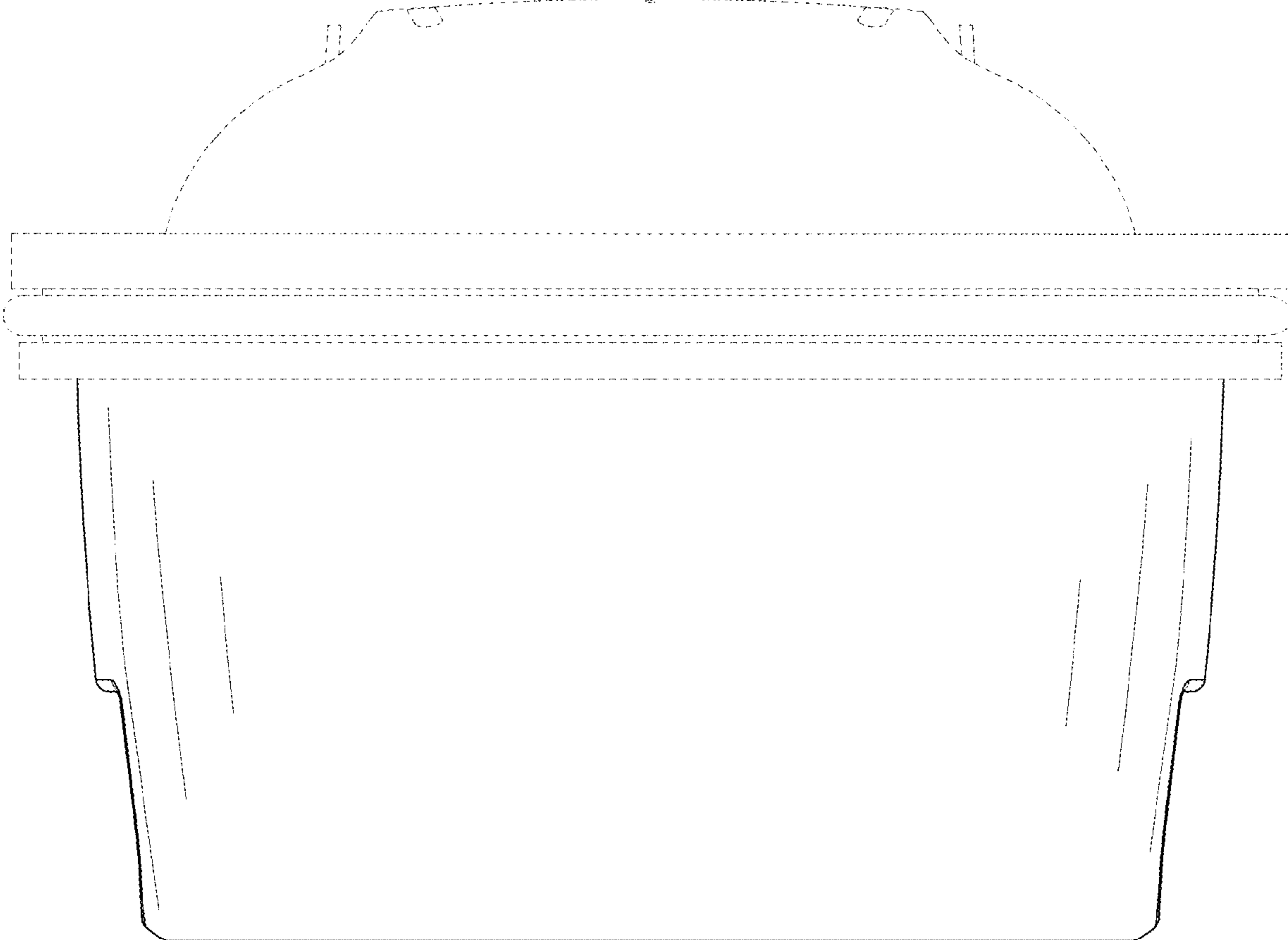


FIG. 3

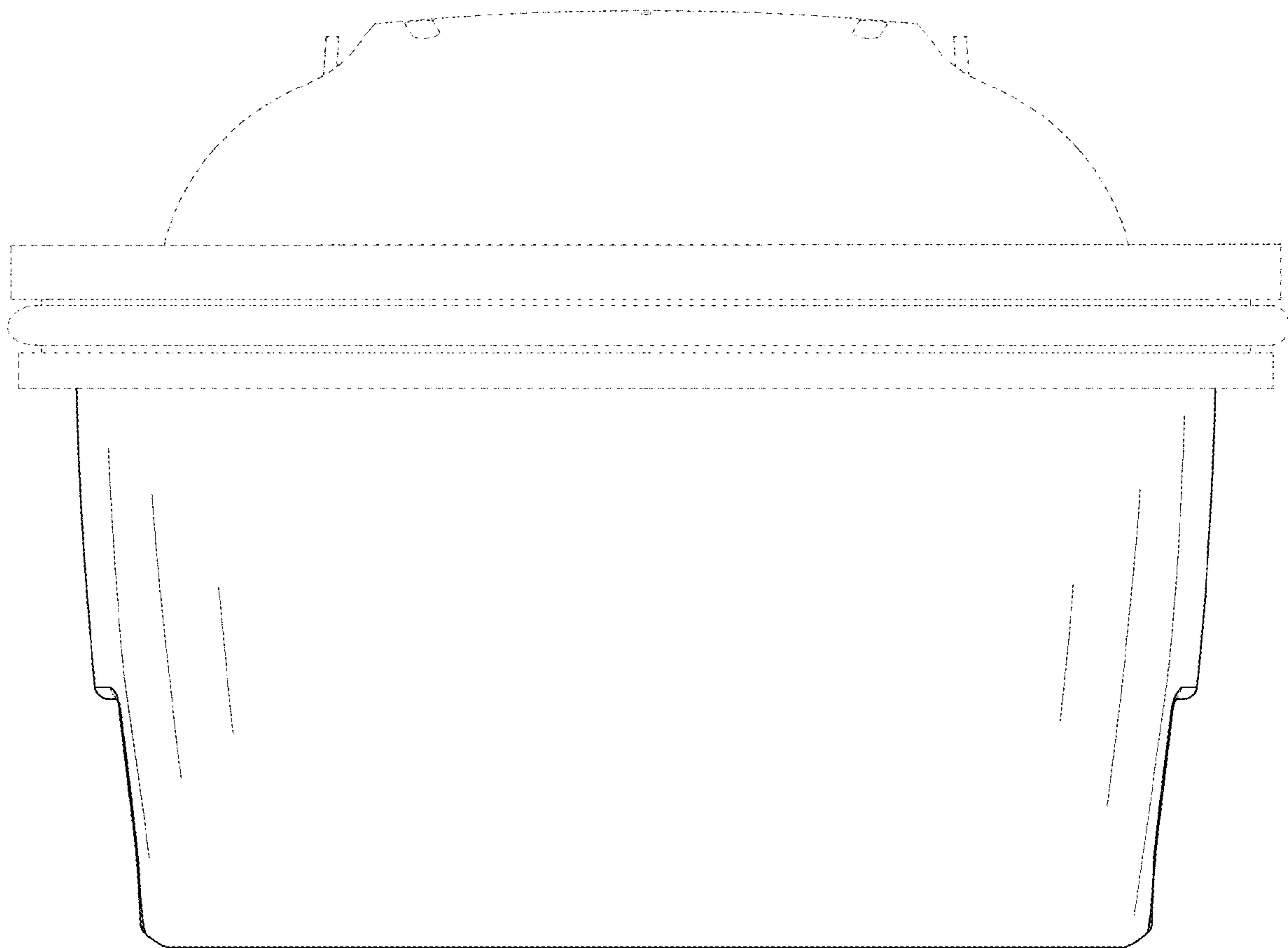


FIG. 4

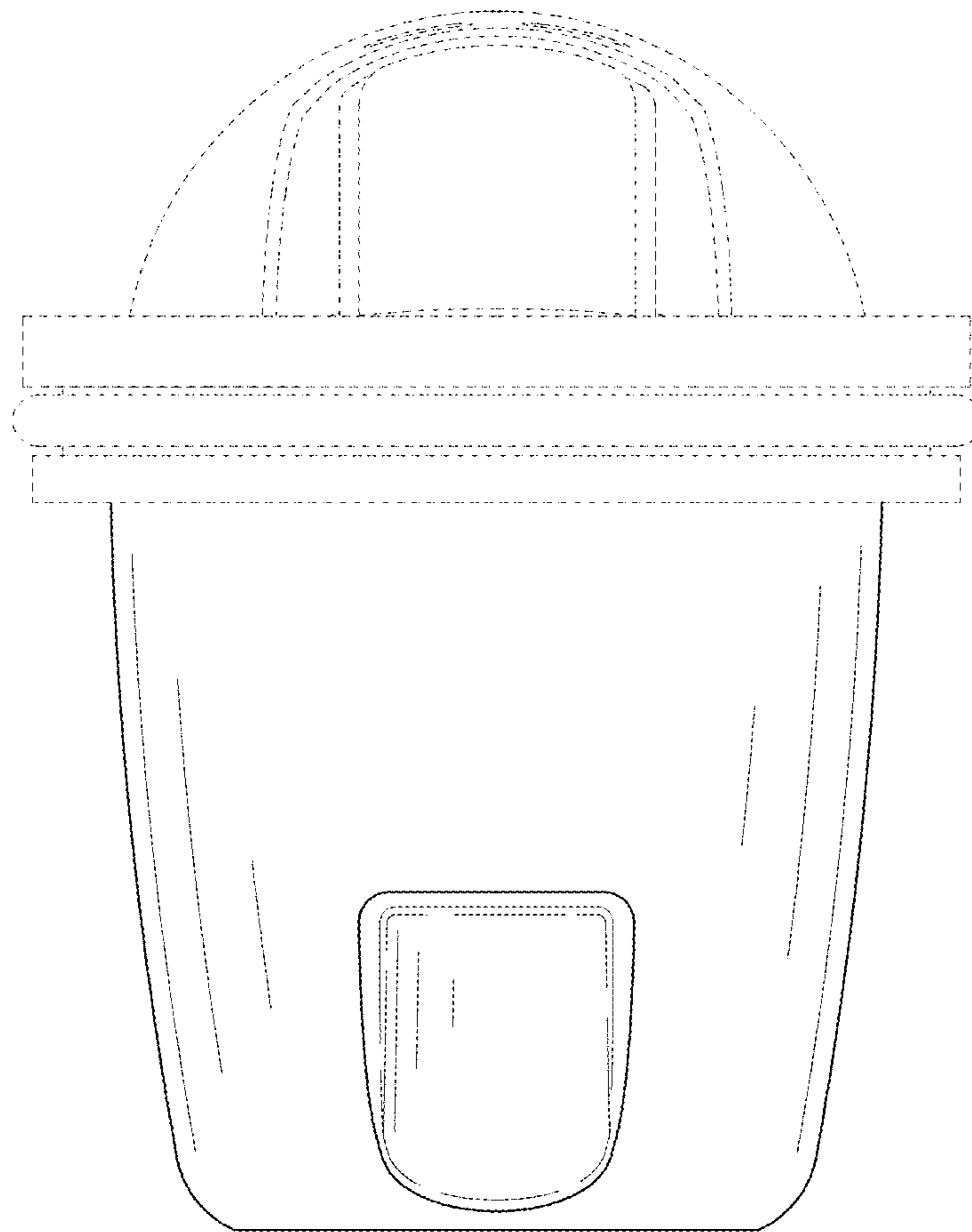


FIG. 5

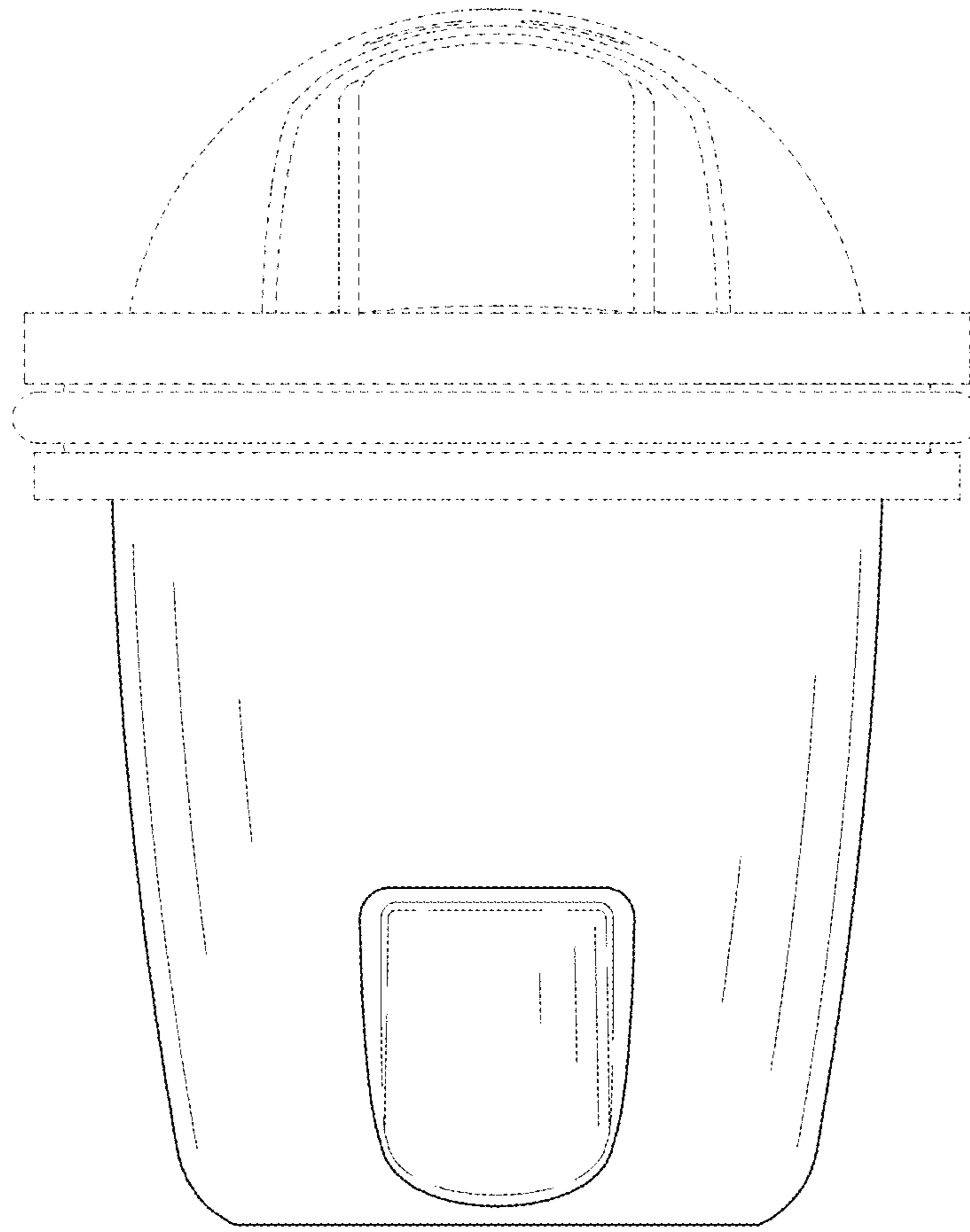


FIG. 6

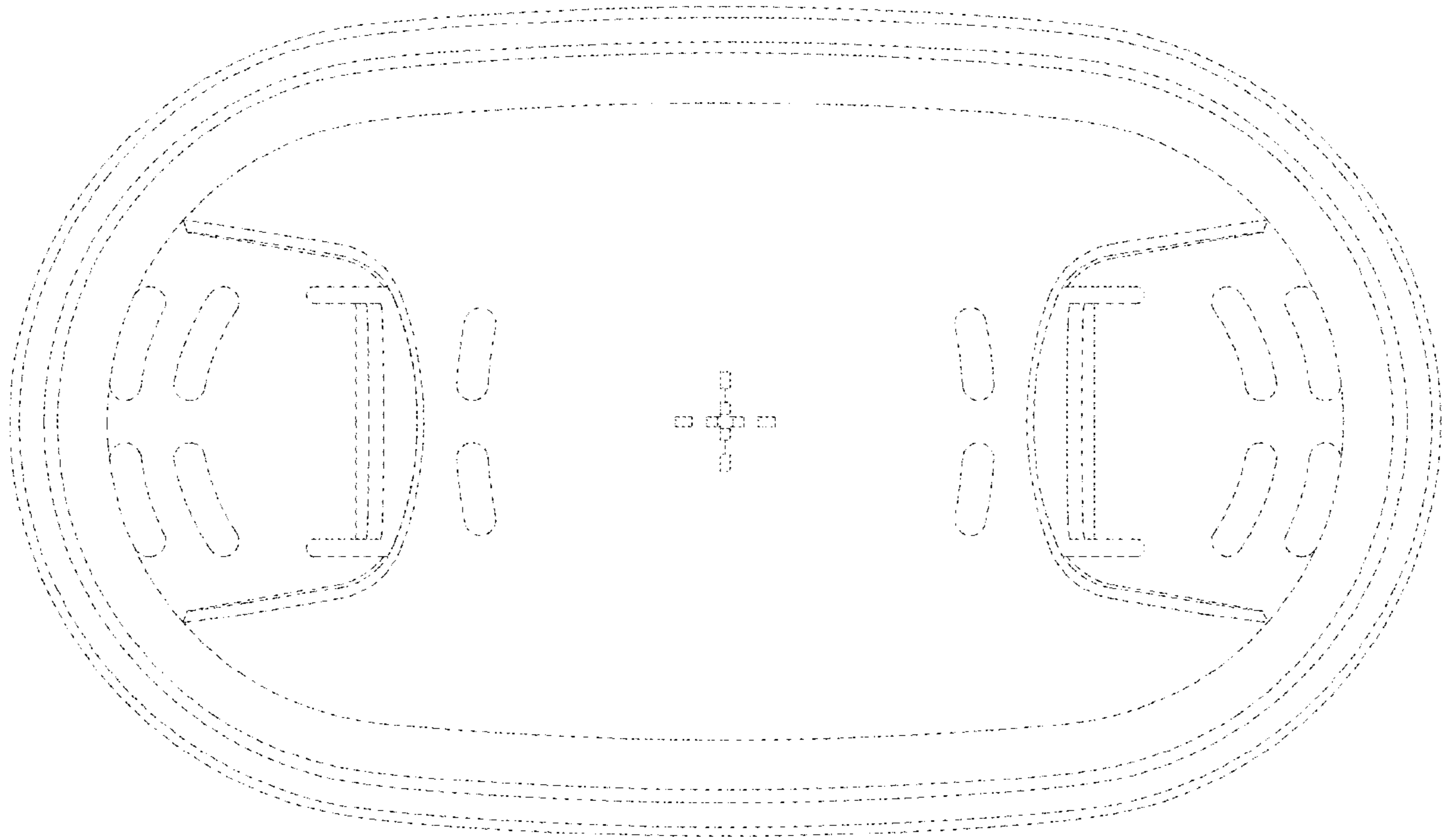


FIG. 7

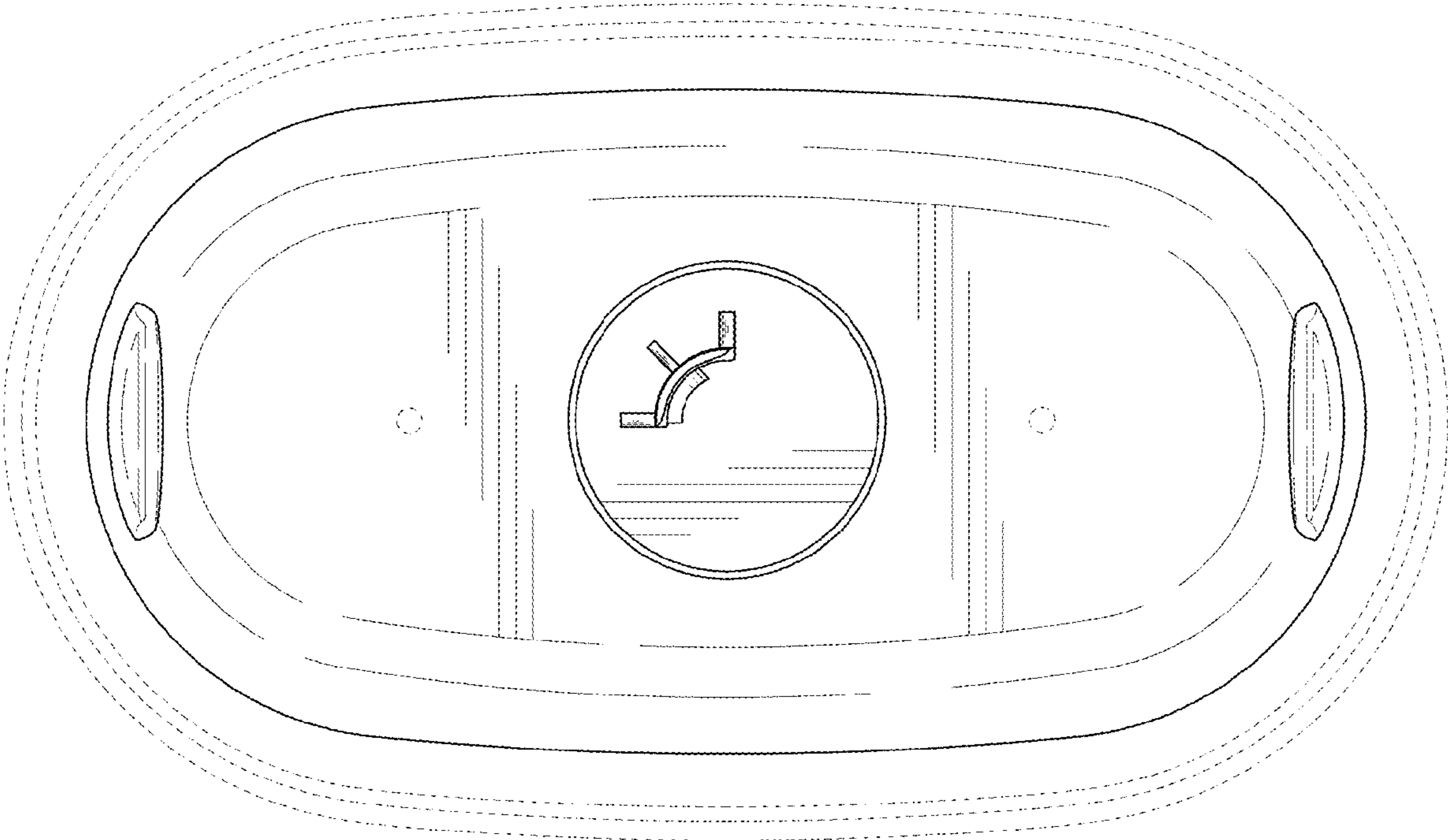


FIG. 8