



US00D966461S

(12) **United States Design Patent**
Kolda et al.

(10) **Patent No.:** **US D966,461 S**
(45) **Date of Patent:** **** Oct. 11, 2022**

(54) **FILTRATION SYSTEM**

(71) Applicant: **Toddy, LLC**, Loveland, CO (US)

(72) Inventors: **Clint Kolda**, Loveland, CO (US);
Stephen Jones, Fort Collins, CO (US)

(73) Assignee: **TODDY, LLC.**, Loveland, CO (US)

(**) Term: **15 Years**

(21) Appl. No.: **29/770,792**

(22) Filed: **Feb. 16, 2021**

(51) **LOC (13) Cl.** **23-01**

(52) **U.S. Cl.**
USPC **D23/209**

(58) **Field of Classification Search**
USPC D23/207, 209, 210, 325, 355, 363, 365;
D24/162
CPC B01D 27/00; B01D 27/08; B01D 29/00;
B01D 35/303; B01D 2201/306; B01D
2201/309; B01D 2221/02; C02F 1/002;
C02F 1/003; C02F 9/005; C02F 2307/02;
C02F 2307/04; C02F 2307/10
See application file for complete search history.

(56) **References Cited**

U.S. PATENT DOCUMENTS

D383,829	S *	9/1997	Guo	D23/210
D398,366	S *	9/1998	Ulery	D23/209
D418,198	S *	12/1999	Bainton	D23/209
6,051,144	A *	4/2000	Clack	B01D 35/143 96/417
D439,304	S *	3/2001	Tilp	D23/209
6,379,560	B1 *	4/2002	Tilp	B01D 35/303 210/748.11
D547,826	S *	7/2007	Kennedy	D23/209
D547,827	S *	7/2007	Kennedy	D23/209
D610,650	S *	2/2010	Kulikov	D23/209
8,182,699	B2 *	5/2012	Fritze	B01D 35/147 210/248

D718,417	S *	11/2014	Harris	D23/209
D759,788	S *	6/2016	Wei	D23/207
D946,108	S *	3/2022	Mei	D23/207
D947,987	S *	4/2022	Du	D23/207
2002/0125183	A1 *	9/2002	Chaney	C02F 9/005 210/418
2005/0167352	A1 *	8/2005	Burrows	C02F 9/005 210/241
2007/0023332	A1 *	2/2007	Fan	C02F 1/003 210/85

(Continued)

OTHER PUBLICATIONS

Aquasana 2-Stage Under Sink Water Filter System, Apr. 24, 2013, Amazon, site visited May 18, 2022: <https://www.amazon.com/dp/B00CHYLXLM/> (Year: 2013).*

(Continued)

Primary Examiner — Jack Reickel
Assistant Examiner — Bobby W Jones, II
(74) *Attorney, Agent, or Firm* — Francisco A. Rubio-Campos; Intelink Law Group, P.C.

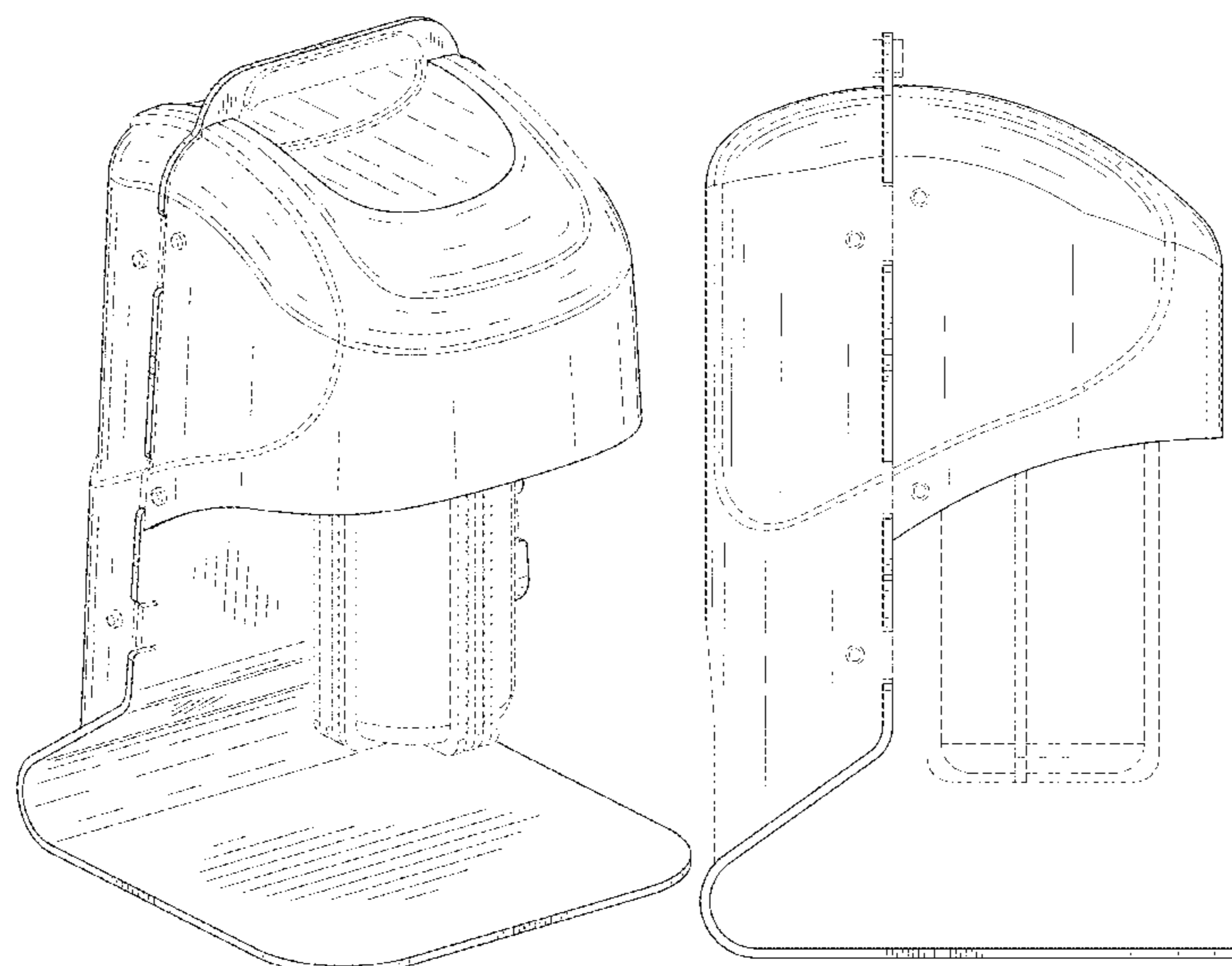
(57) **CLAIM**

The ornamental design for a filtration system, as shown and described.

DESCRIPTION

FIG. 1 is a front perspective view of a filtration system; FIG. 2 is a back perspective view of the filtration system; FIG. 3 is a top view of the filtration system; FIG. 4 is a bottom view of the filtration system; FIG. 5 is a first side view of the filtration system; FIG. 6 is a second side view of the filtration system; FIG. 7 is a front view of the filtration system; and, FIG. 8 is a back view of the filtration system. The broken line showing of a filtration system is included for the purpose of illustrating portions of the article and forms no part of the claimed design.

1 Claim, 8 Drawing Sheets



(56)

References Cited

U.S. PATENT DOCUMENTS

2007/0085487 A1* 4/2007 Kuennen C02F 1/008
315/209 R
2009/0236277 A1* 9/2009 Kurth C02F 9/005
210/234
2009/0321340 A1* 12/2009 Rampen B01D 35/30
210/233
2010/0044291 A1* 2/2010 Tseng C02F 1/003
210/230
2014/0086565 A1* 3/2014 Lilley B67D 1/07
134/169 R
2019/0047874 A1* 2/2019 Tsai C02F 9/005
2019/0118123 A1* 4/2019 Kim B01D 35/147
2020/0339438 A1* 10/2020 Lautzenheiser C02F 1/44
2021/0122652 A1* 4/2021 Copeland C25B 11/03

OTHER PUBLICATIONS

Waterdrop TSA 3-Stage Under Sink Water Filter, Nov. 26, 2020,
Amazon, site visited May 18, 202: <https://www.amazon.com/dp/B08P58F9SG/> (Year: 2020).*

* cited by examiner

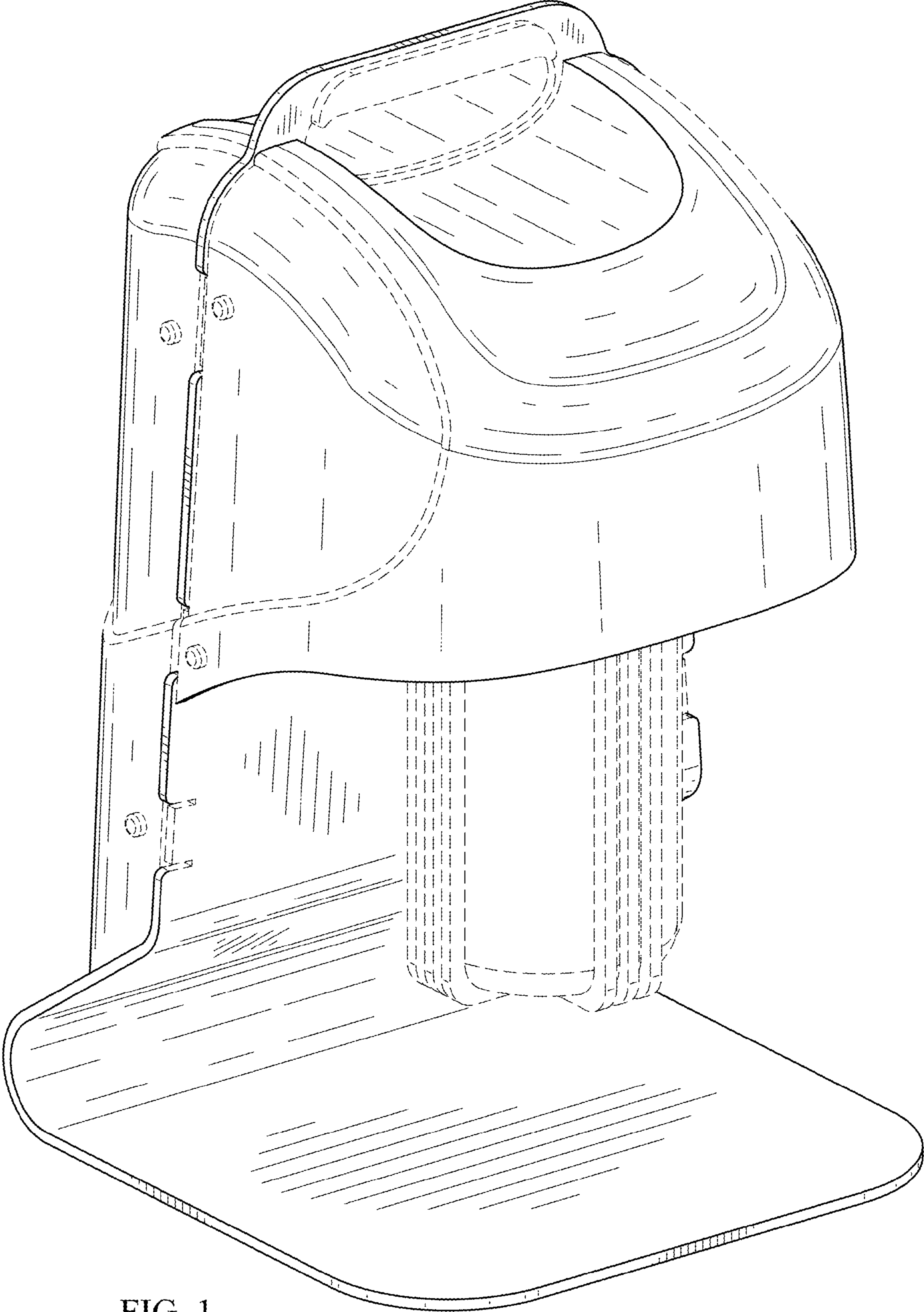


FIG. 1

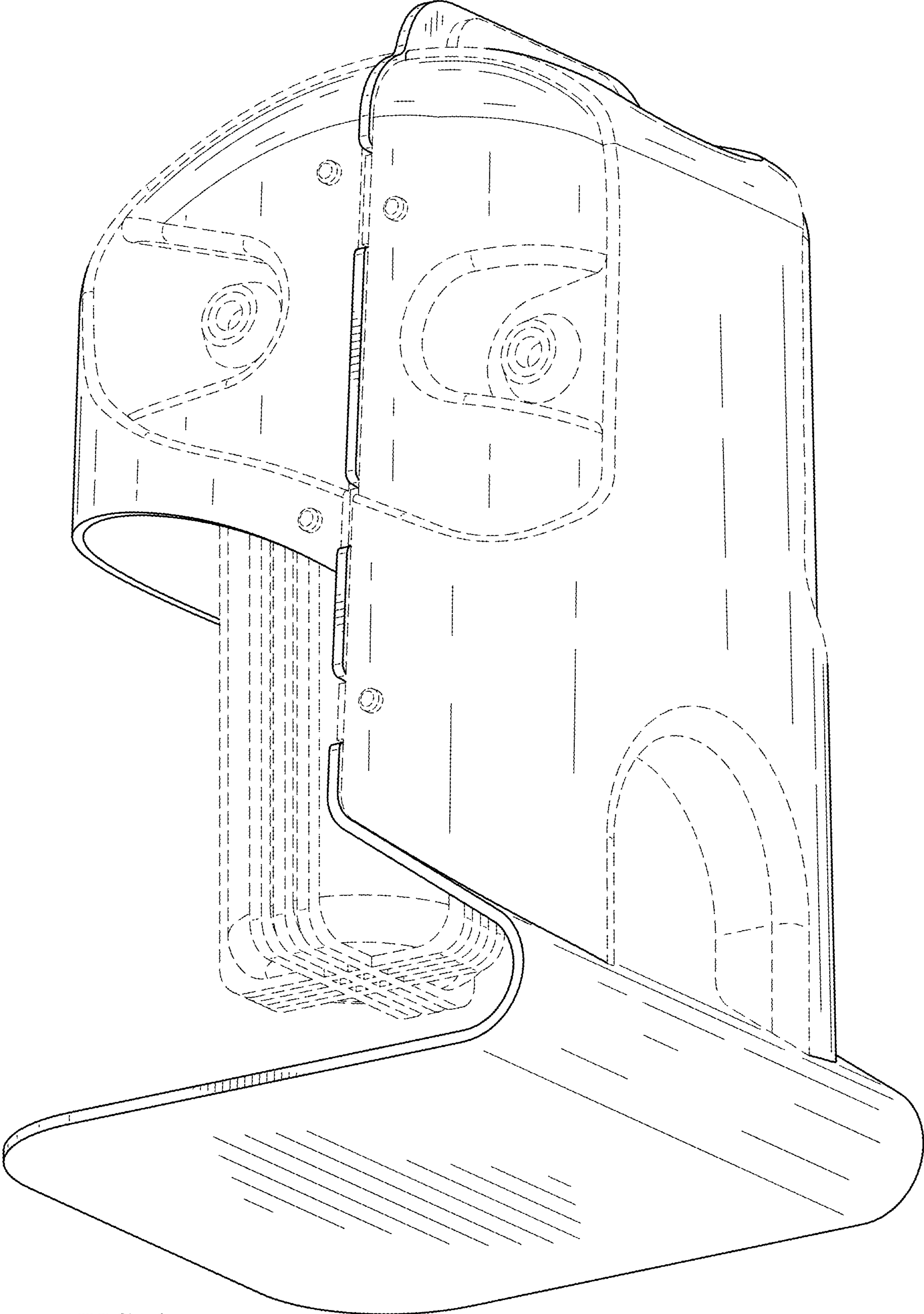


FIG. 2

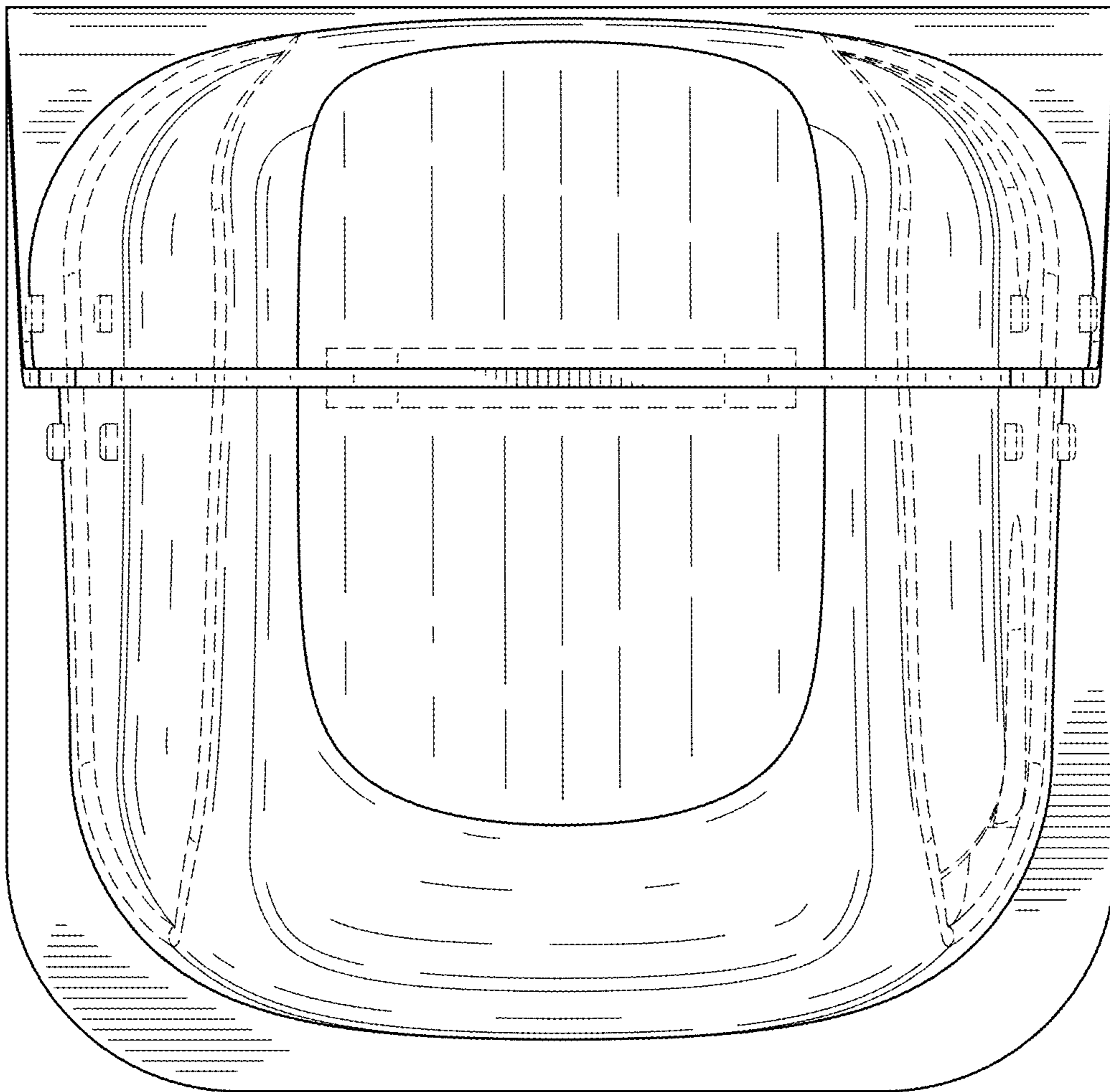


FIG. 3



FIG. 4

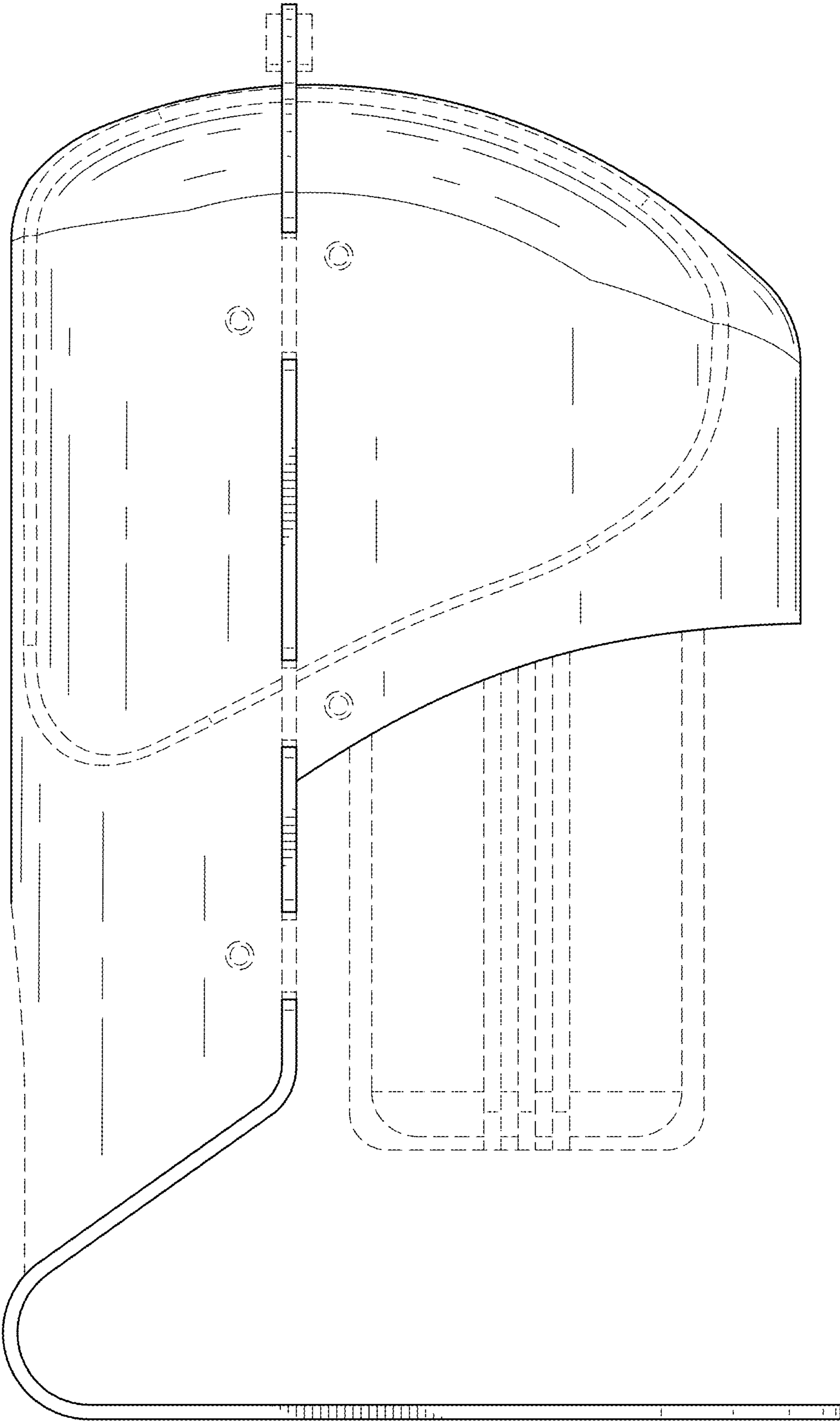


FIG. 5

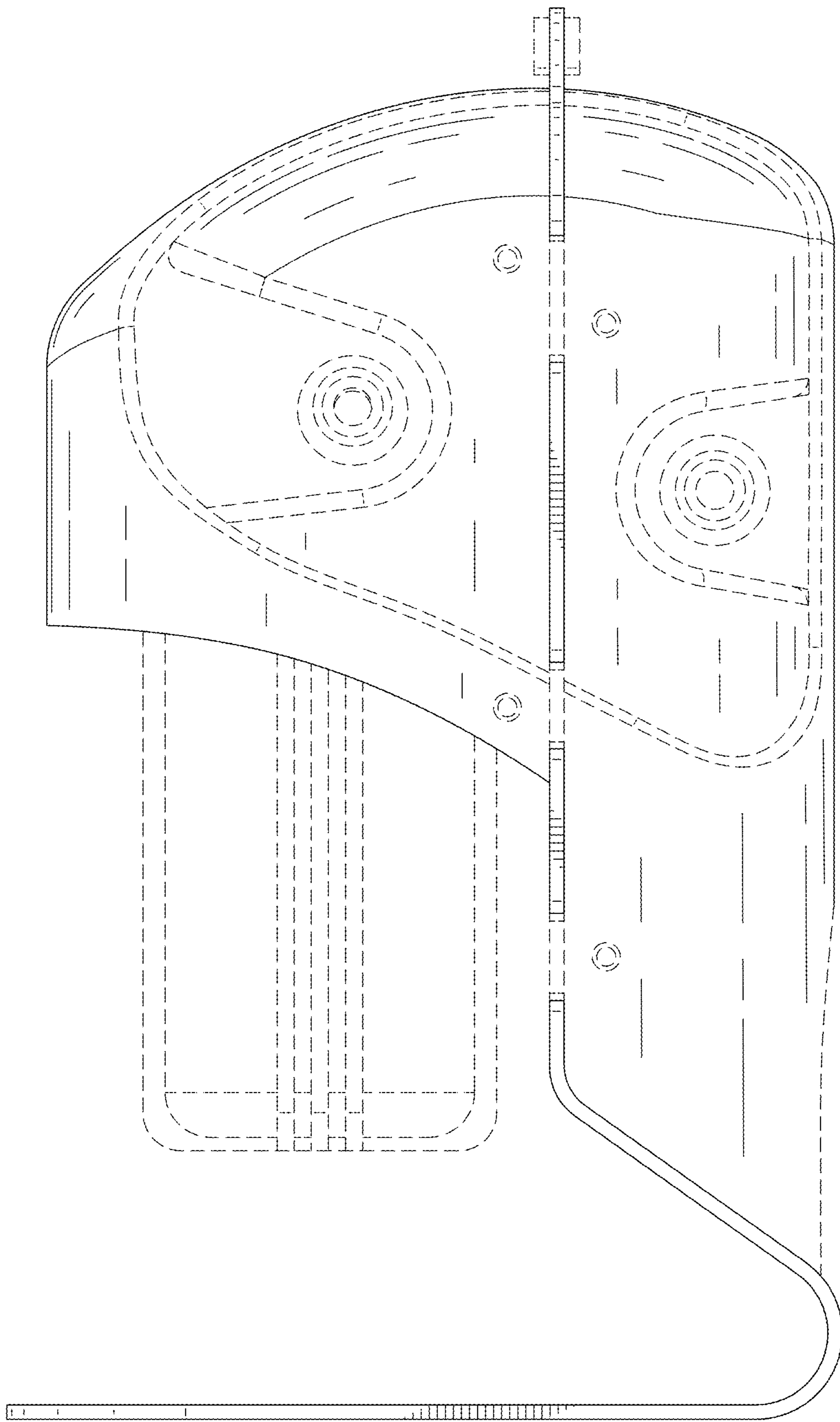


FIG. 6

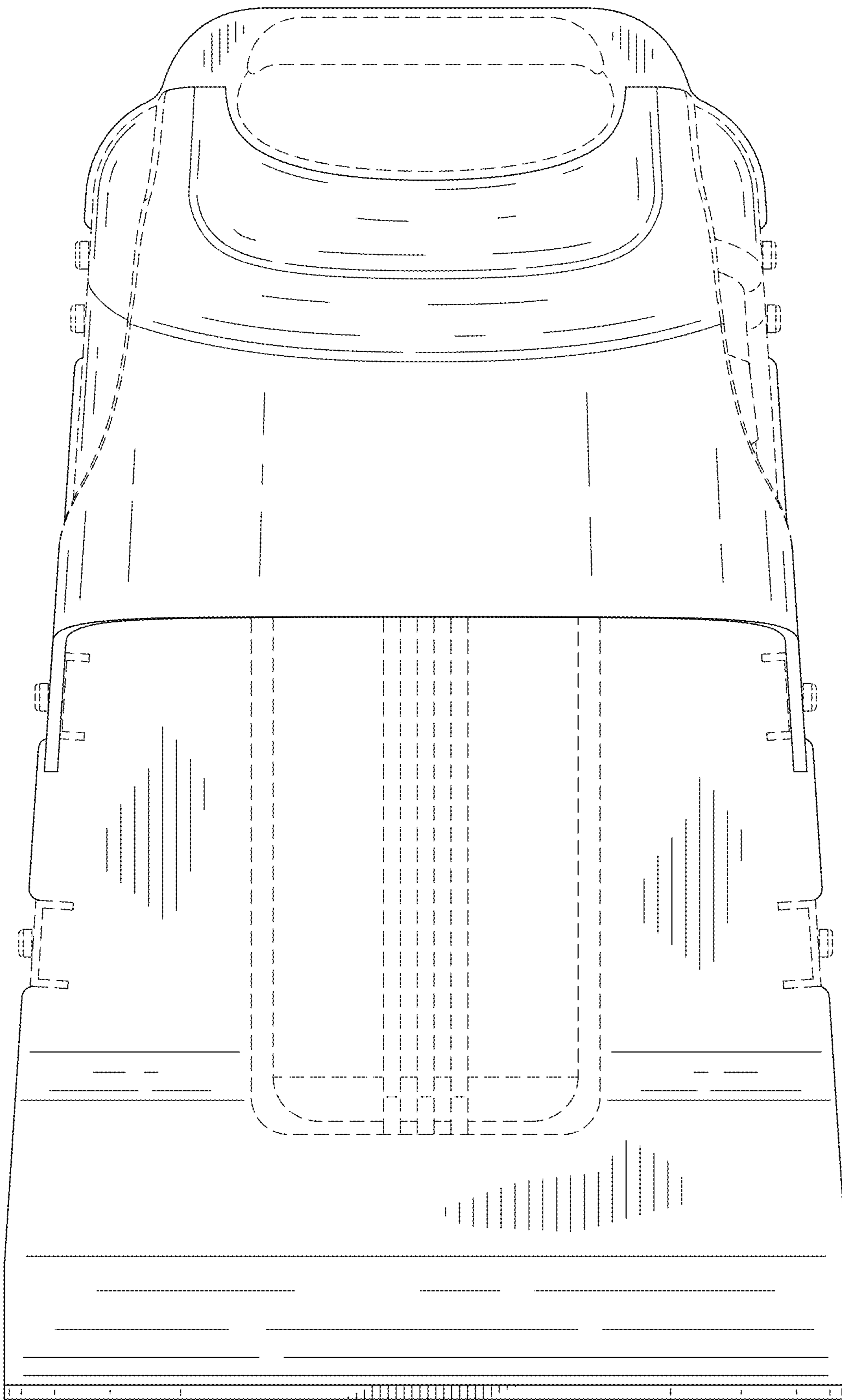


FIG. 7

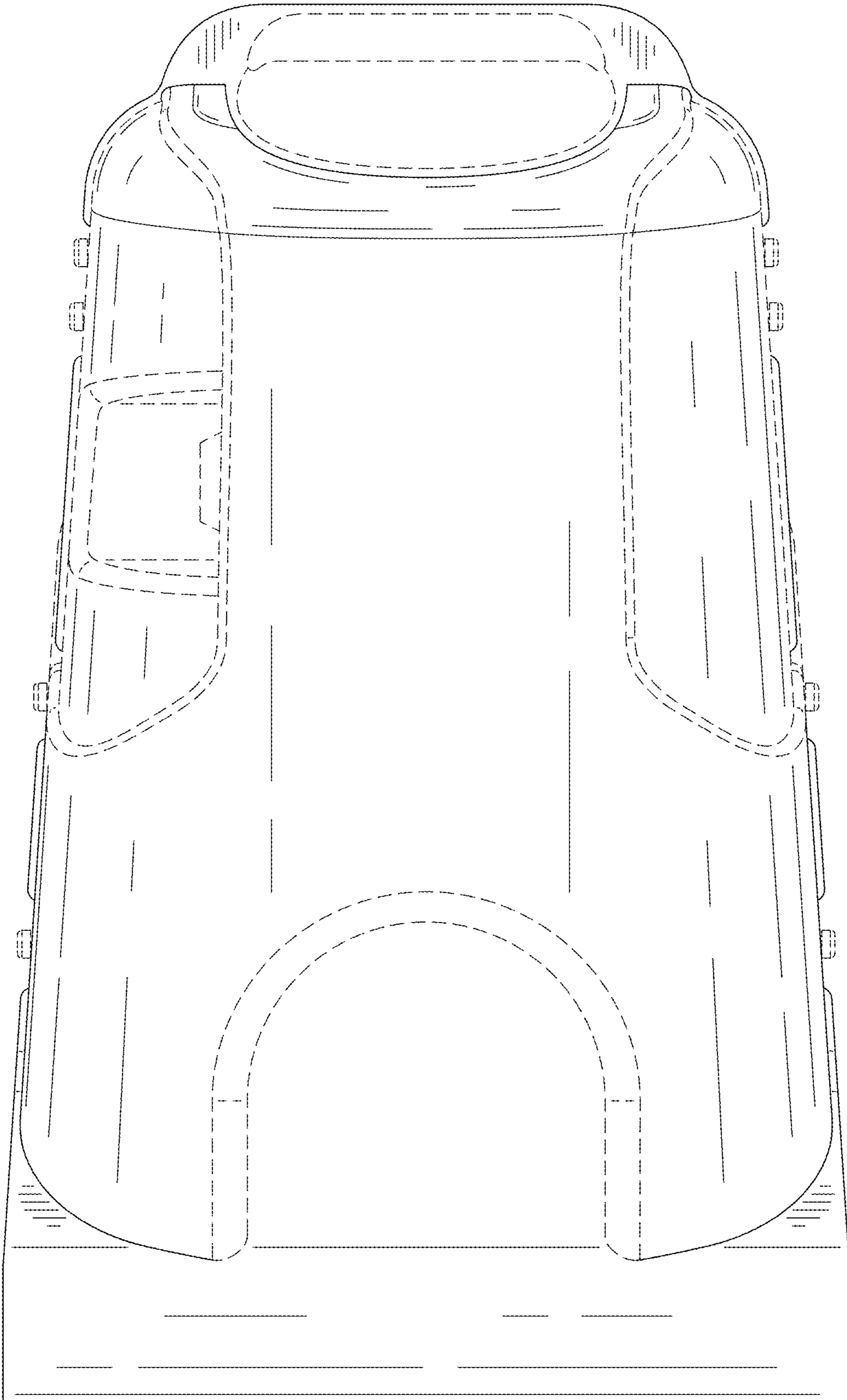


FIG. 8