



US00D966460S

(12) **United States Design Patent**
Ellis et al.

(10) **Patent No.:** **US D966,460 S**

(45) **Date of Patent:** **** *Oct. 11, 2022**

(54) **FILTER CAP**

(71) Applicant: **Scientific Plastic Products, Inc.**,
Oceanside, CA (US)

(72) Inventors: **Samuel A. Ellis**, Oceanside, CA (US);
Kishan Hingorani, Oceanside, CA
(US); **Michael Tverdoch**, Oceanside,
CA (US)

(73) Assignee: **Scientific Plastic Products, Inc.**,
Oceanside, CA (US)

(*) Notice: This patent is subject to a terminal dis-
claimer.

(**) Term: **15 Years**

(21) Appl. No.: **29/715,921**

(22) Filed: **Dec. 5, 2019**

Related U.S. Application Data

(63) Continuation of application No. 29/590,423, filed on
Jan. 10, 2017, now abandoned.

(51) **LOC (13) Cl.** **23-01**

(52) **U.S. Cl.**
USPC **D23/209**; D23/365

(58) **Field of Classification Search**
USPC D23/205–210, 314, 325, 333–336,
D23/355–366, 386–388
CPC F02M 35/04; F02M 35/10; F02M 35/024;
B01D 46/0002; B01D 46/10
See application file for complete search history.

(56) **References Cited**

U.S. PATENT DOCUMENTS

4,900,342 A * 2/1990 Spengler B01D 46/10
415/119
5,061,381 A 10/1991 Burd
D394,697 S * 5/1998 Liang D23/209

D398,046 S * 9/1998 Gillingham B01D 46/527
D23/365
5,972,059 A * 10/1999 Morgan B01D 46/002
55/336
D425,270 S 5/2000 Zahuranec
D441,067 S * 4/2001 Flor D23/365
6,605,216 B1 8/2003 Lederman
D545,955 S * 7/2007 Arias D23/365
7,709,251 B2 * 5/2010 Ellis C12M 23/38
435/305.1
8,580,560 B1 11/2013 Ellis et al.
(Continued)

OTHER PUBLICATIONS

Design Patent Application for Filter Cap, Design U.S. Appl. No.
29/590,423, filed Jan. 10, 2017, Applicant Scientific Plastic Prod-
ucts, Inc.

Primary Examiner — John A Voytek

(74) *Attorney, Agent, or Firm* — Stetina Brunda Garred
and Brucker

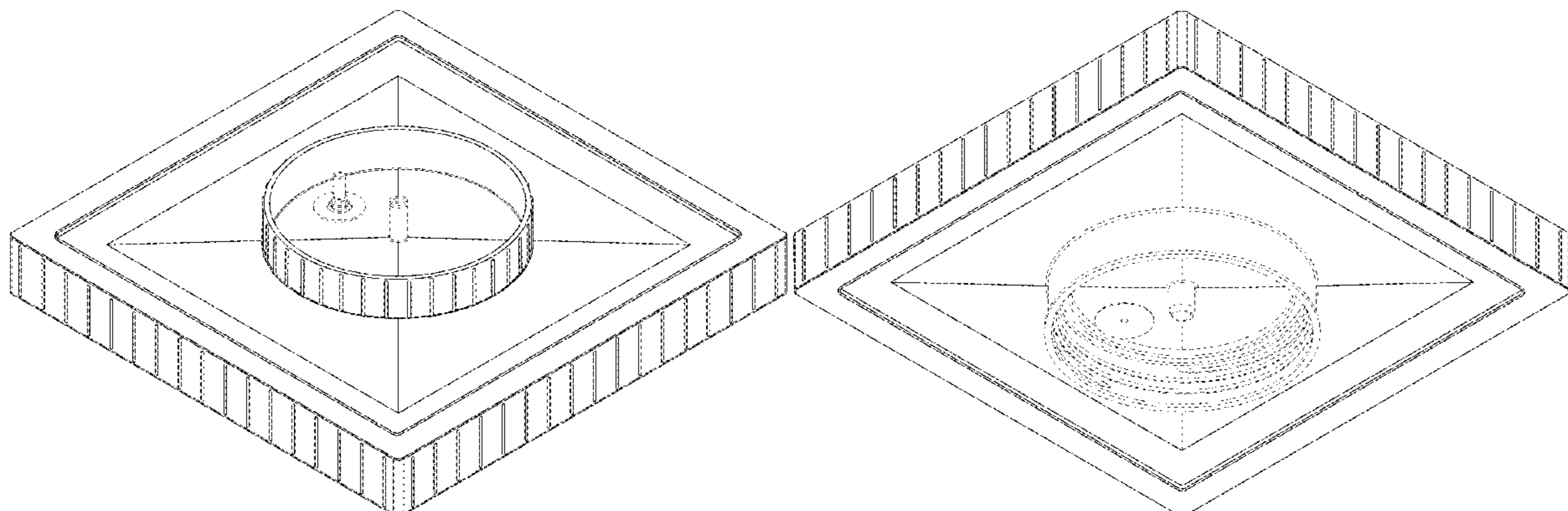
(57) **CLAIM**

The ornamental design for a filter cap, as shown and
described.

DESCRIPTION

FIG. 1 is a top perspective view of a filter cap showing our
new design;
FIG. 2 is a bottom perspective view of the filter cap of FIG.
1;
FIG. 3 is a top plan view of the filter cap of FIG. 1;
FIG. 4 is a side view of the filter cap of FIG. 1 with the
opposing back view being a mirror image thereof;
FIG. 5 is a left side view of the filter cap of FIG. 1, with the
opposing right side view being a mirror image thereof; and,
FIG. 6 is a bottom plan view of the filter cap of FIG. 1.
The broken lines in FIGS. 1-6 of the drawings are for the
purpose of illustrating portions of the filter cap, which form
no part of the claimed design.

1 Claim, 5 Drawing Sheets



(56)

References Cited

U.S. PATENT DOCUMENTS

D751,686 S * 3/2016 Harris D23/386
D752,195 S 3/2016 Choi
D770,026 S * 10/2016 Morgan B01D 46/2411
D23/365
D773,629 S * 12/2016 Crisa' D23/372
9,540,632 B2 * 1/2017 Leland C12N 1/02
D785,678 S 5/2017 Aoki
D802,024 S 11/2017 Aoki
D926,919 S * 8/2021 McNeil D23/209

* cited by examiner

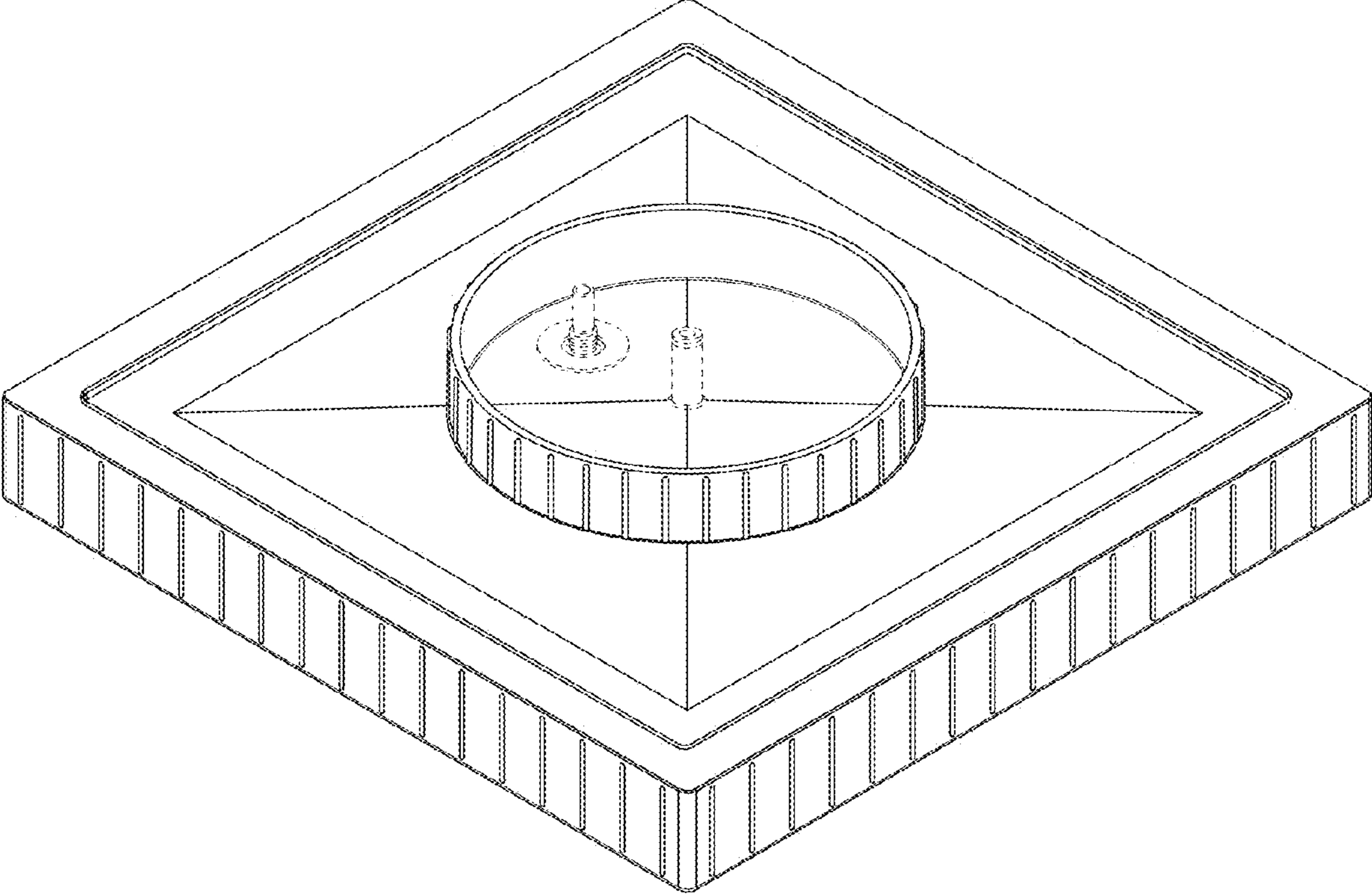


Fig. 1

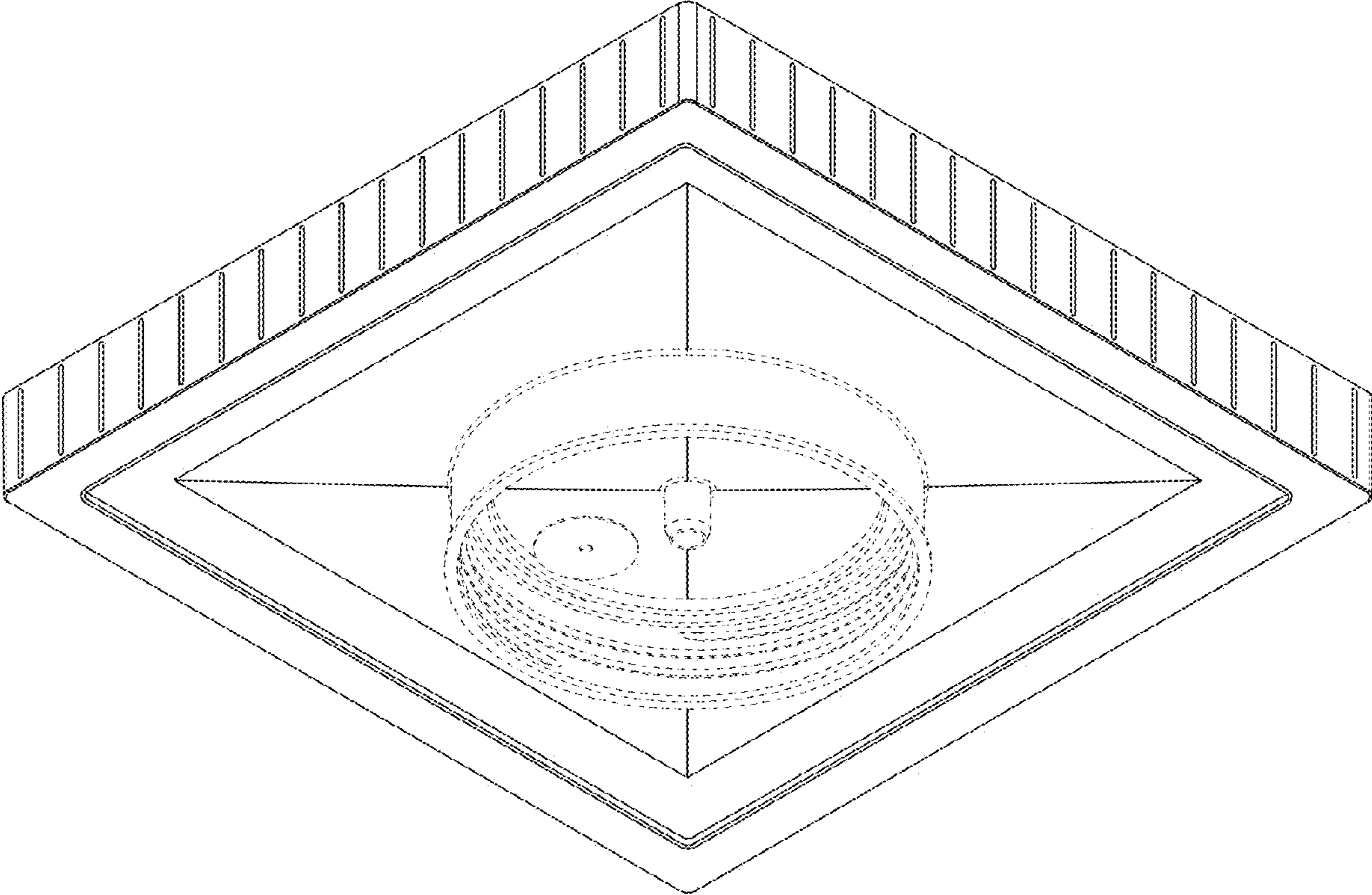


Fig. 2

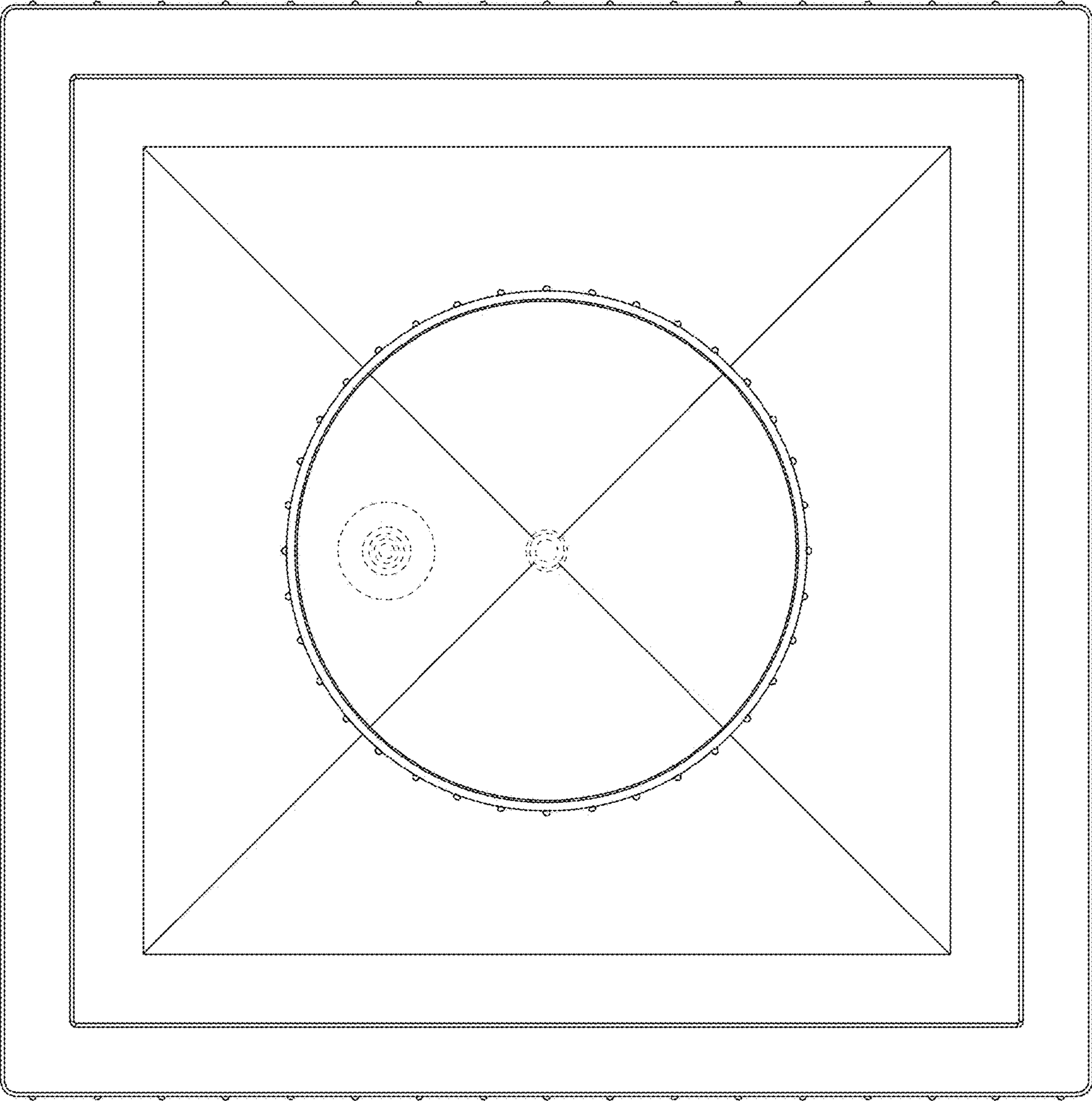


Fig. 3

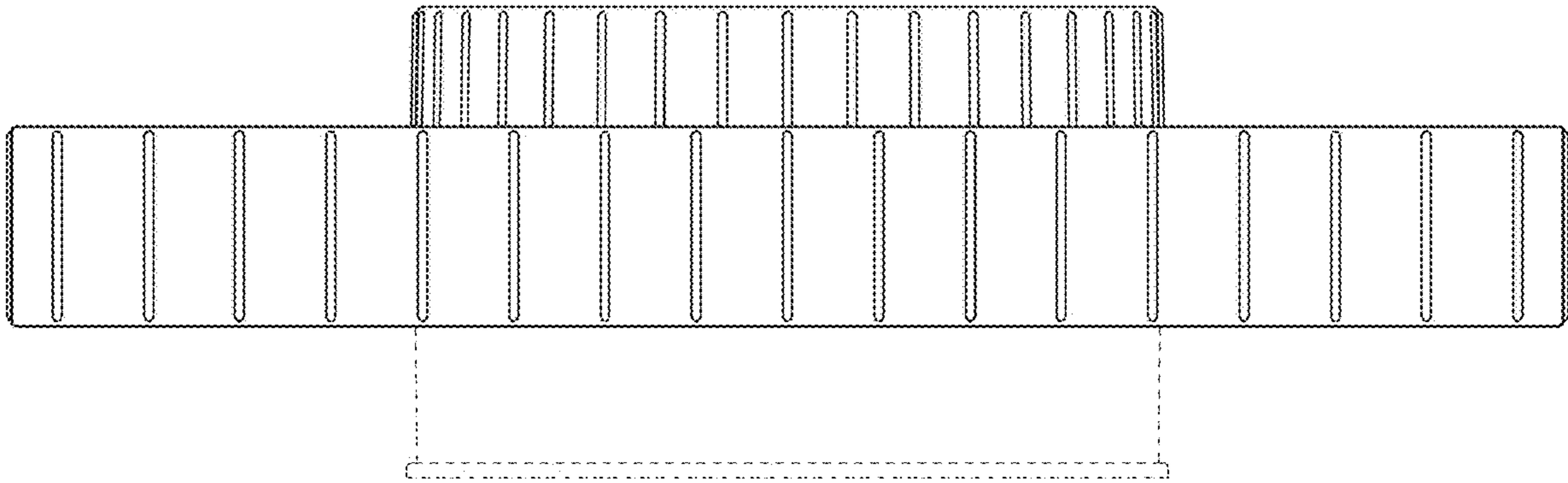


Fig. 4

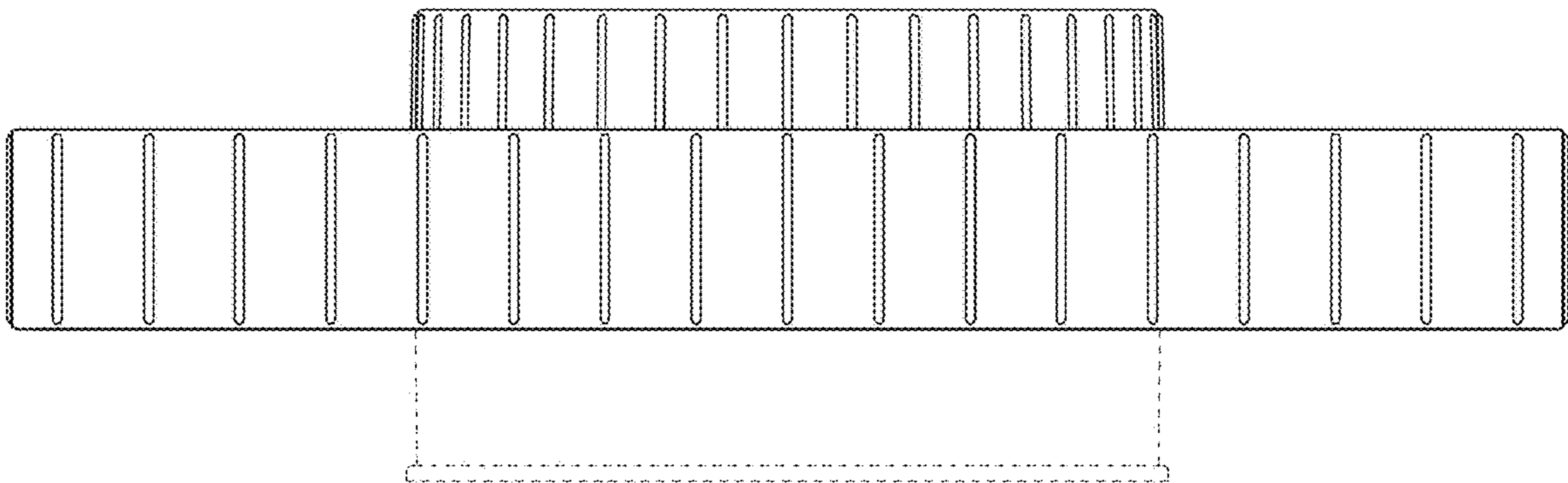


Fig. 5

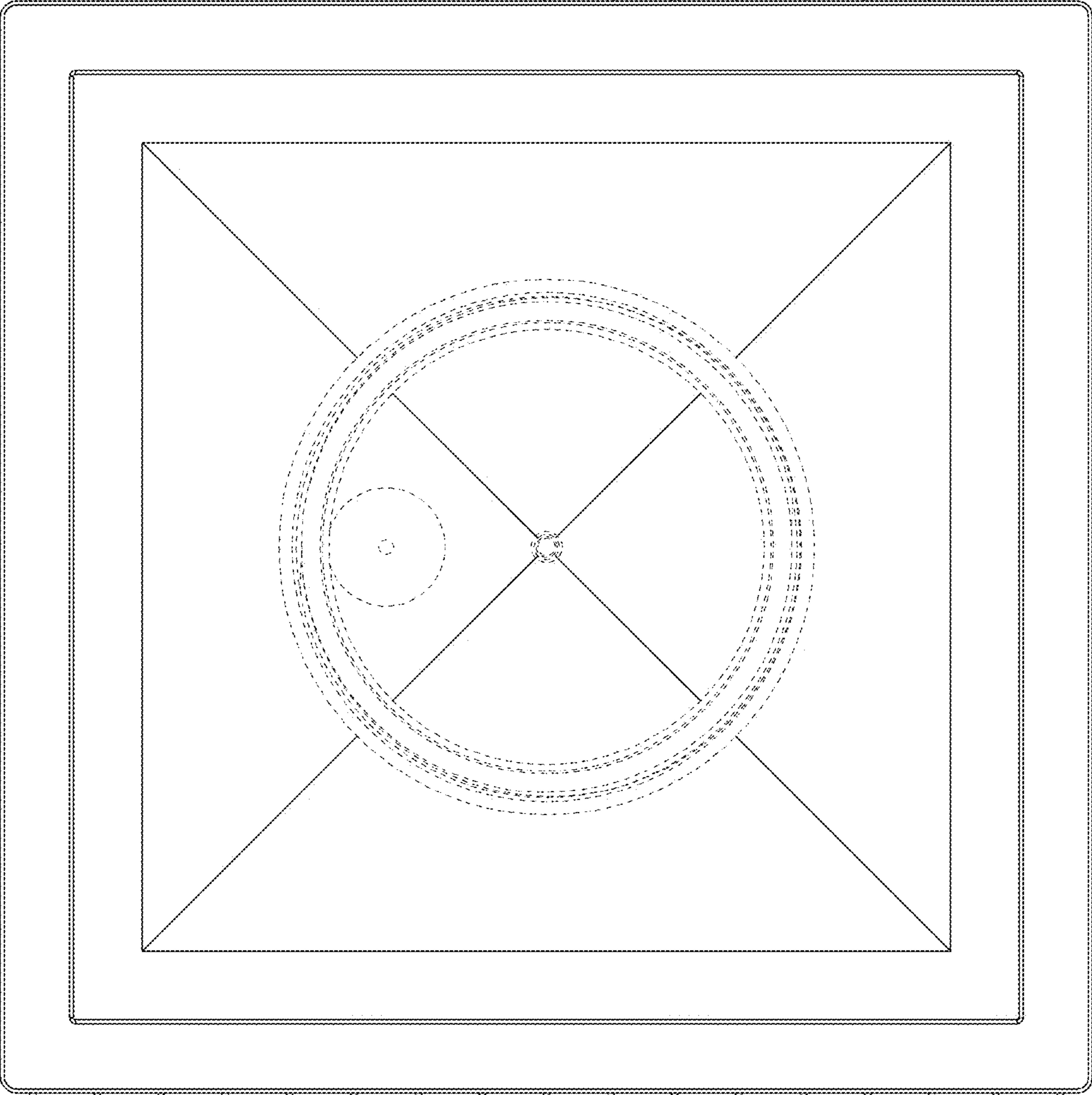


Fig. 6