

US00D966457S

(12) **United States Design Patent**
Kollmann et al.

(10) **Patent No.:** **US D966,457 S**
(45) **Date of Patent:** **** Oct. 11, 2022**

(54) **END PLATE FOR A FILTER ELEMENT**

D848,213 S * 5/2019 Cedergren D7/397
10,737,201 B2 * 8/2020 Roesgen F16N 39/06
D896,342 S * 9/2020 Wei B01D 29/96
D23/209
D924,056 S * 7/2021 Hoffman D9/500
(Continued)

(71) Applicant: **Mahle International GmbH**, Stuttgart
(DE)

(72) Inventors: **Andreas Kollmann**, Eitweg (AT);
Patrick Wieler, Urbach (DE)

(73) Assignee: **Mahle International GmbH**

DE 3903675 A1 8/1990
DE 19707132 A1 8/1998
(Continued)

(**) Term: **15 Years**

(21) Appl. No.: **29/684,498**

FOREIGN PATENT DOCUMENTS

(22) Filed: **Mar. 21, 2019**

(51) **LOC (13) Cl.** **23-01**

(52) **U.S. Cl.**
USPC **D23/209**

(58) **Field of Classification Search**
USPC D23/200, 207, 209, 365; D9/435, 500,
D9/503, 545, 746
CPC B01D 35/30; B01D 35/303; B01D 35/306;
B01D 2201/4046; B01D 27/08; B01D
46/2414; B01D 2201/162; B01D
2201/291; B01D 2201/4053; B01D
2201/4092; C02F 1/003
See application file for complete search history.

OTHER PUBLICATIONS

English abstract for DE-102012000876-C5.
(Continued)

Primary Examiner — Calvin E Vansant
(74) *Attorney, Agent, or Firm* — Fishman Stewart PLLC

(57) **CLAIM**

The ornamental design for an end plate for a filter element,
as shown and described.

DESCRIPTION

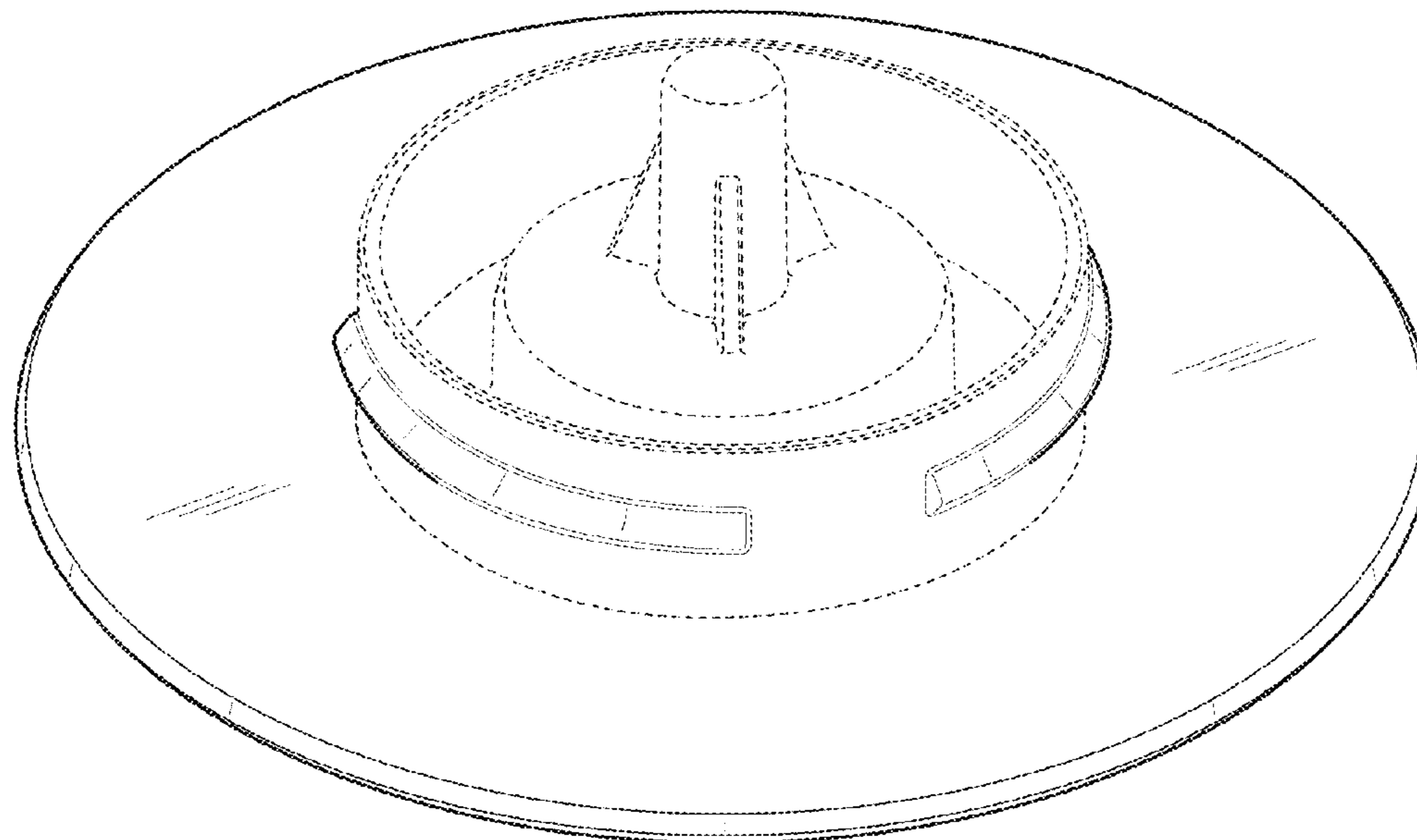
FIG. 1 is a top perspective view an end plate for a filter element;
FIG. 2 is a bottom perspective view of an end plate for a filter element;
FIG. 3 is a front view of an end plate for a filter element;
FIG. 4 is a back view of an end plate for a filter element;
FIG. 5 is a top view of an end plate for a filter element;
FIG. 6 is a bottom view of an end plate for a filter element;
FIG. 7 is a left-side view of an end plate for a filter element;
and,
FIG. 8 is a right-side view of an end plate for a filter element.
The broken lines in the drawings depict portions of the end plate for a filter element and form no part of the claimed design.

(56) **References Cited**

U.S. PATENT DOCUMENTS

D418,758 S * 1/2000 Yucknut D9/503
6,251,273 B1 * 6/2001 Jawurek B01D 29/96
210/232
D472,299 S * 3/2003 Fritze B01D 35/30
D23/209
D547,821 S * 7/2007 Kennedy D23/209
D577,290 S * 9/2008 Moretti D9/504
8,157,107 B2 * 4/2012 Weindorf B01D 35/153
210/441
10,035,090 B2 * 7/2018 Kollmann B01D 35/306

1 Claim, 5 Drawing Sheets



(56)

References Cited

U.S. PATENT DOCUMENTS

2005/0000876 A1* 1/2005 Knight B01D 29/96
210/450
2016/0074778 A1* 3/2016 Herman B01D 36/001
210/436
2016/0332095 A1* 11/2016 Abdalla B01D 27/08
2016/0332101 A1* 11/2016 Booker B01D 35/147
2017/0106314 A1* 4/2017 Stamey, Jr. B01D 29/21
2018/0161710 A1* 6/2018 Kollmann B01D 35/16
2018/0163680 A1* 6/2018 Pflueger F02M 37/34
2020/0179843 A1* 6/2020 Amaral B01D 35/16

FOREIGN PATENT DOCUMENTS

DE 19904981 A1 8/2000
DE 102008011616 A1 9/2008
DE 102009024699 A1 12/2010
DE 102012000876 C5 10/2014
WO WO-0110533 A1 2/2001
WO WO-2005123216 A1 12/2005

OTHER PUBLICATIONS

English abstract for DE3903675A1.
English abstract for DE102009024699A1.
English abstract for DE19904981A1.
English abstract for DE102008011616A1.

* cited by examiner

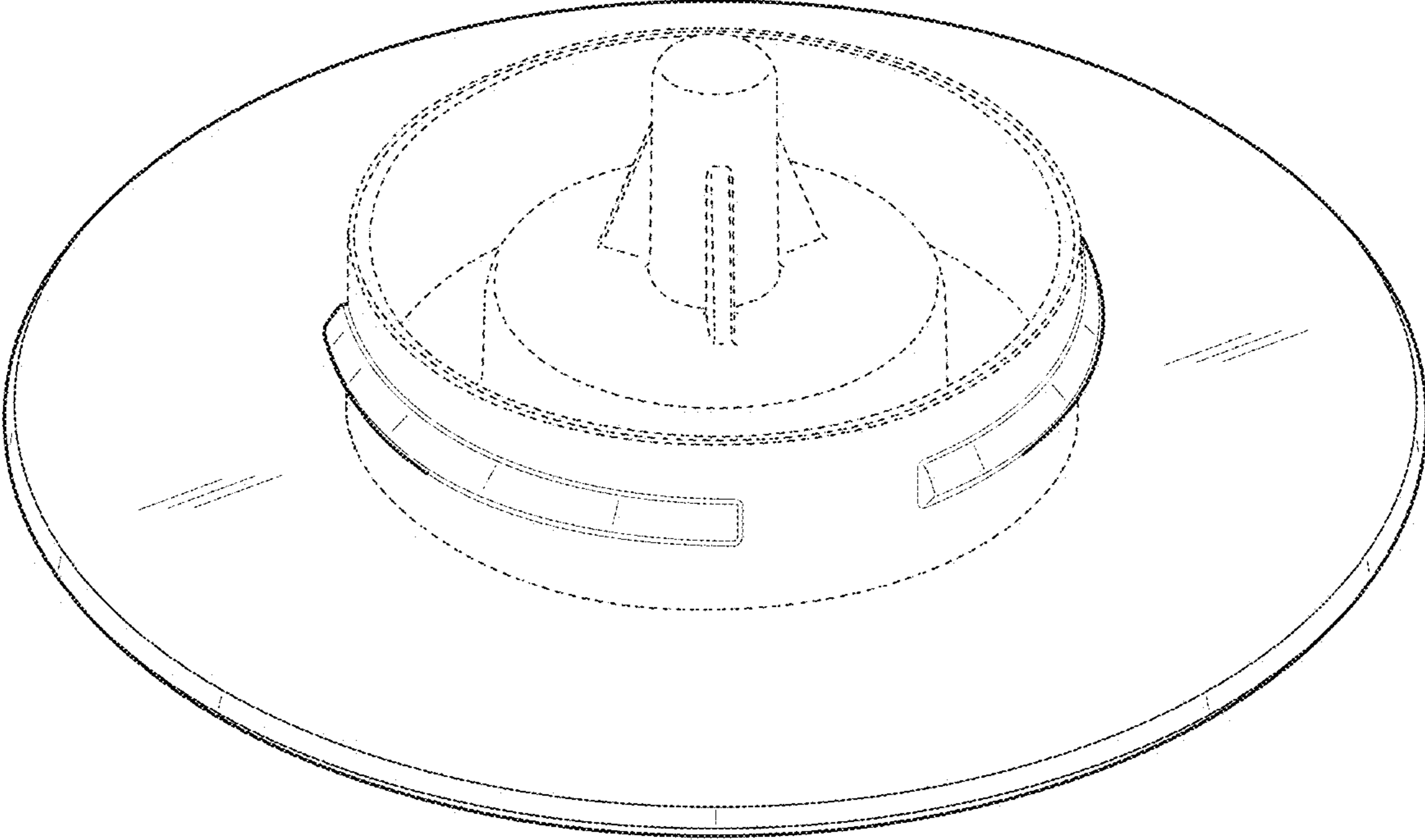


FIG. 1

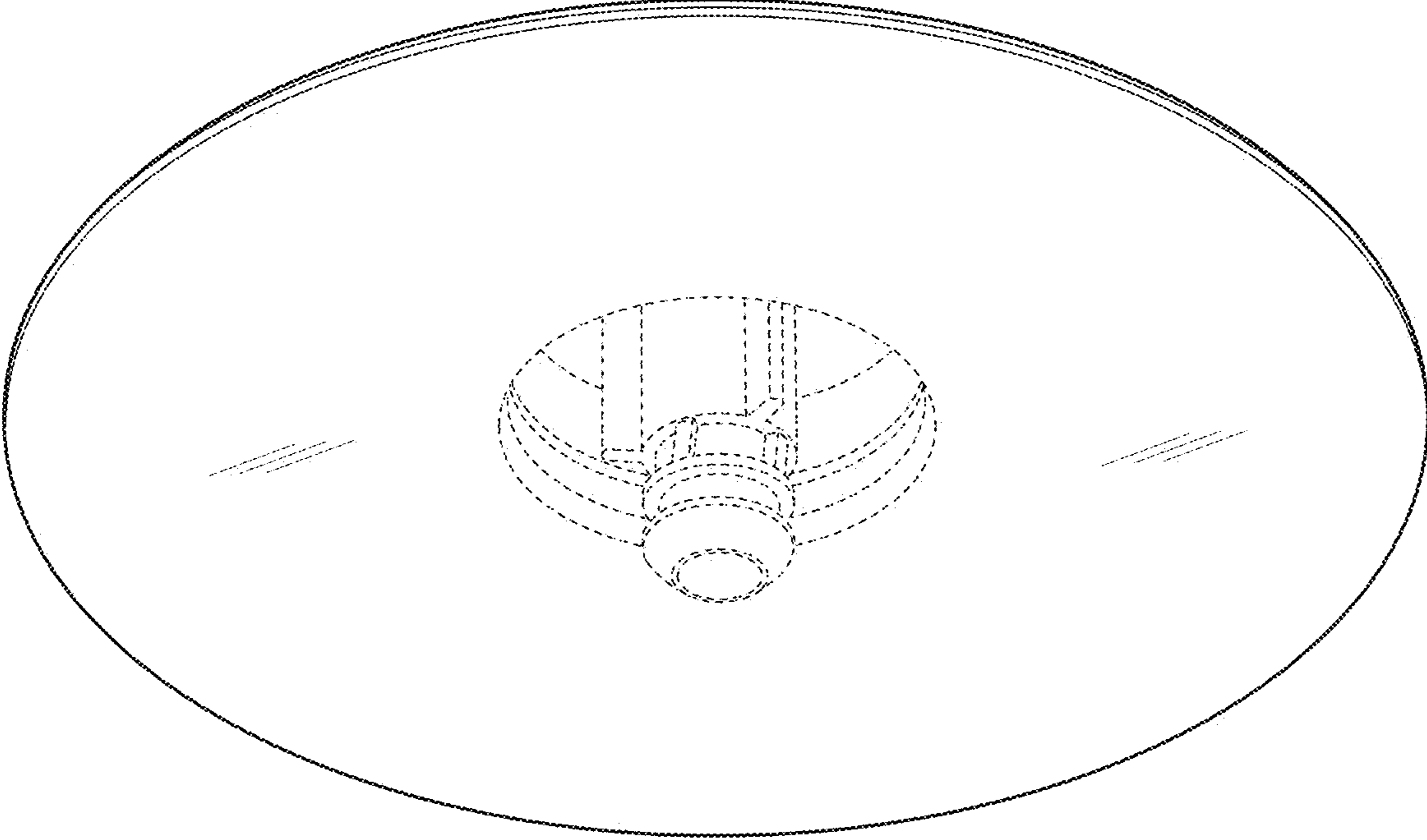


FIG. 2

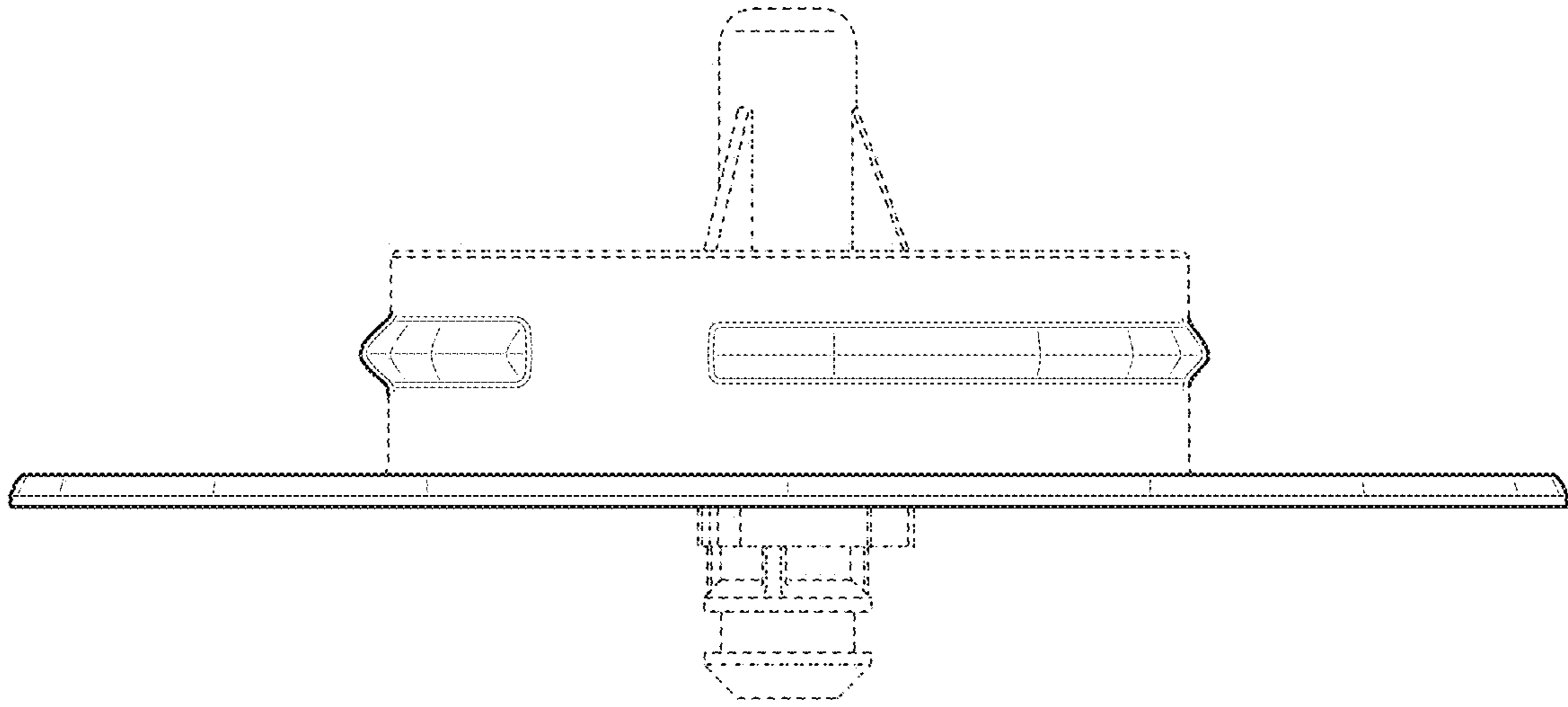


FIG. 3

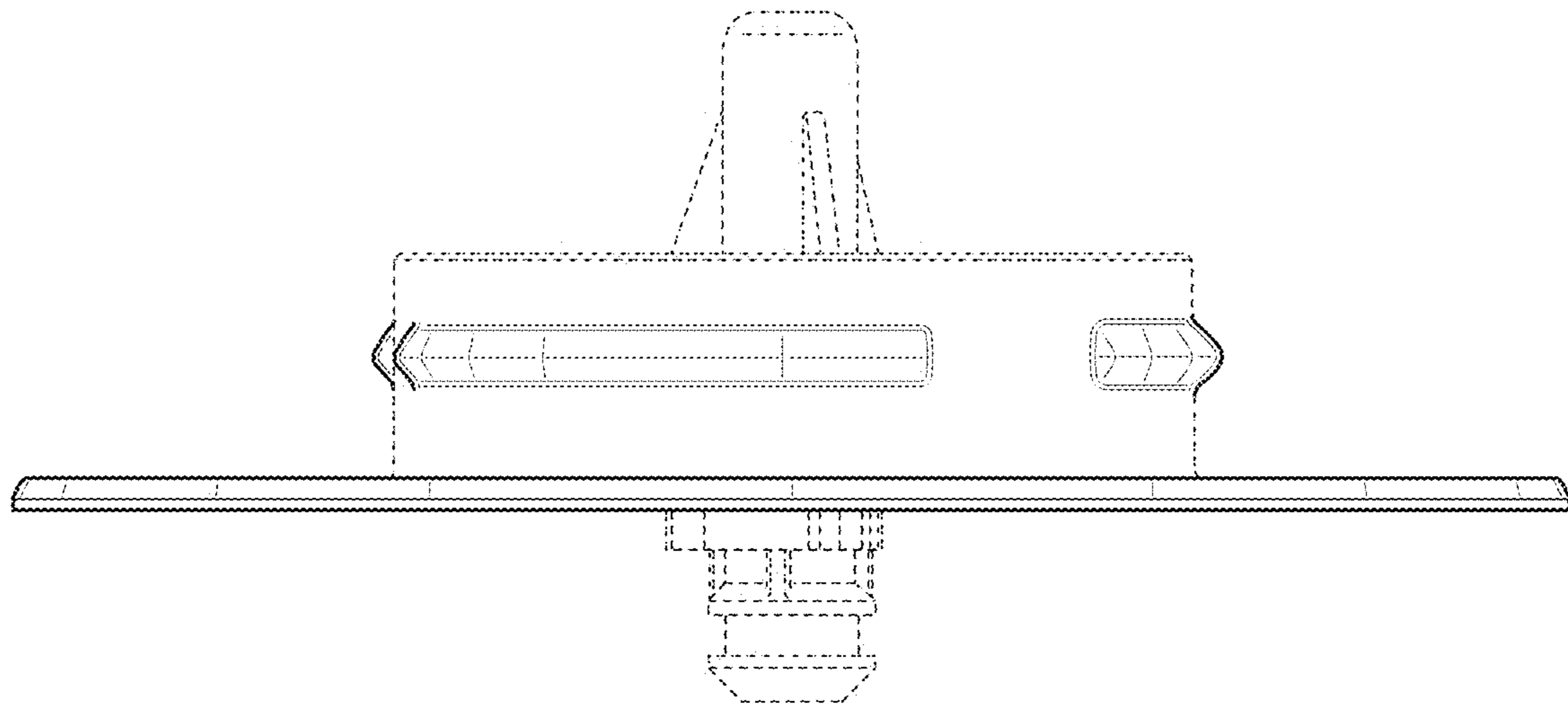


FIG. 4

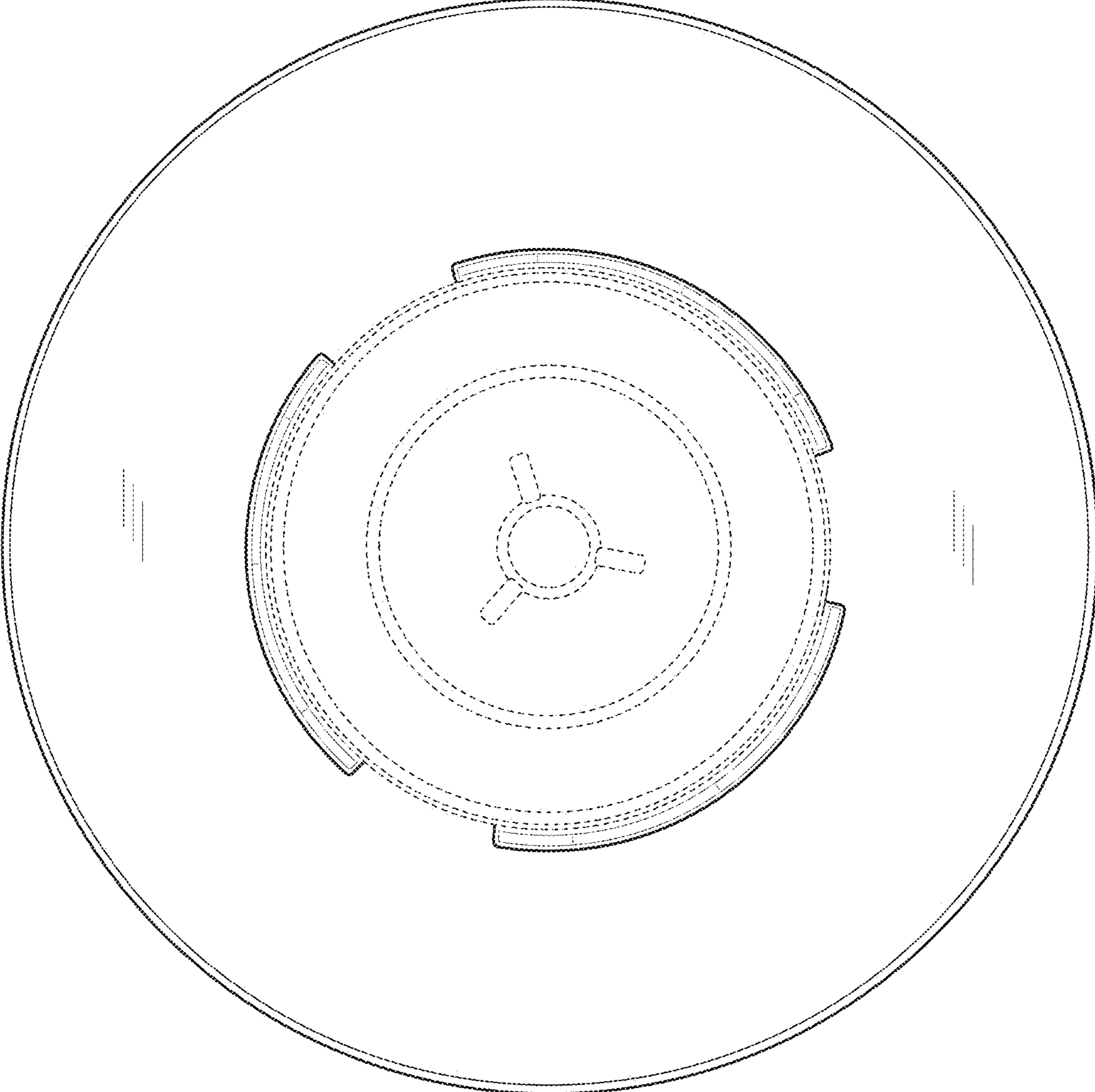


FIG. 5

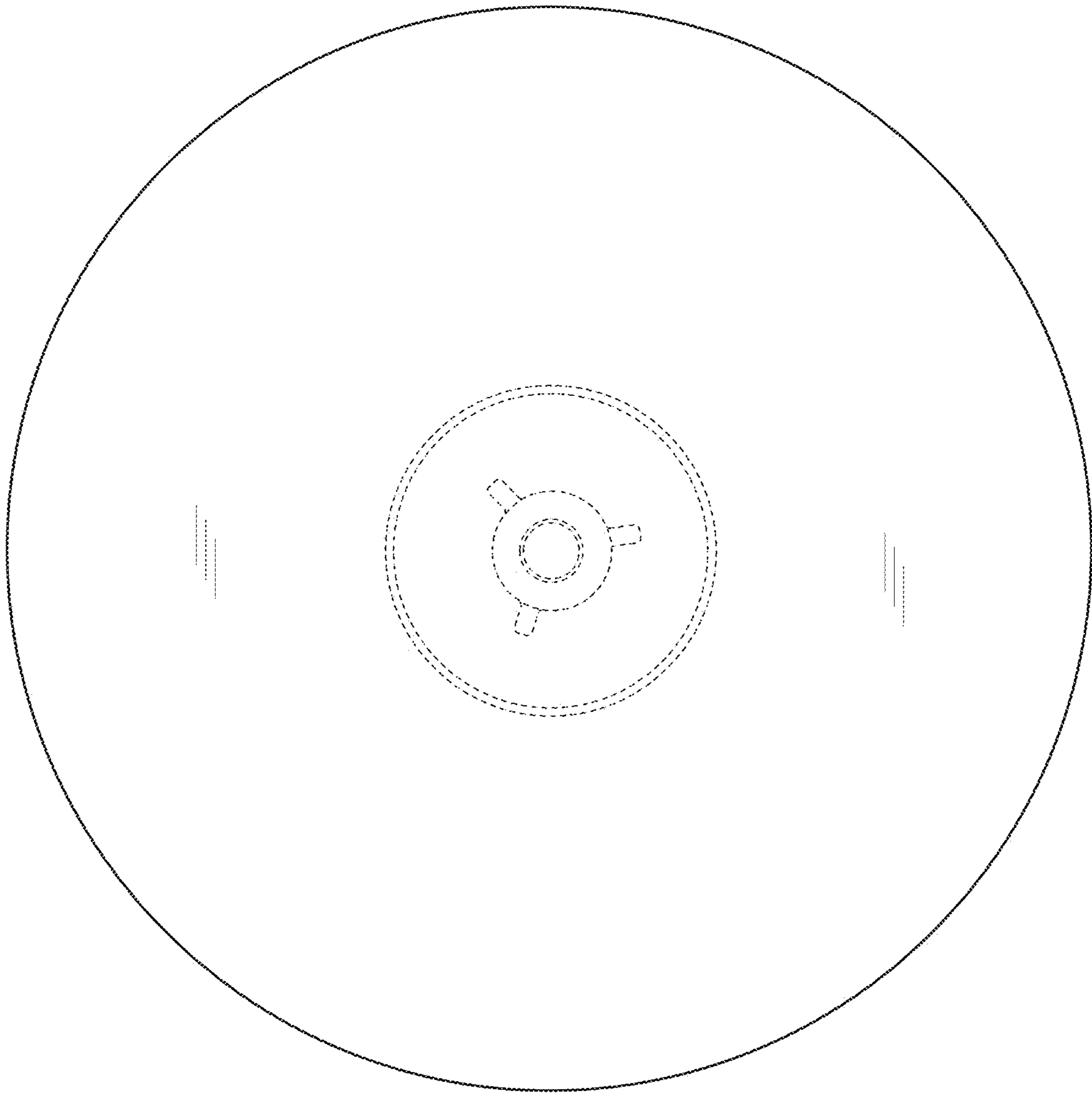


FIG. 6

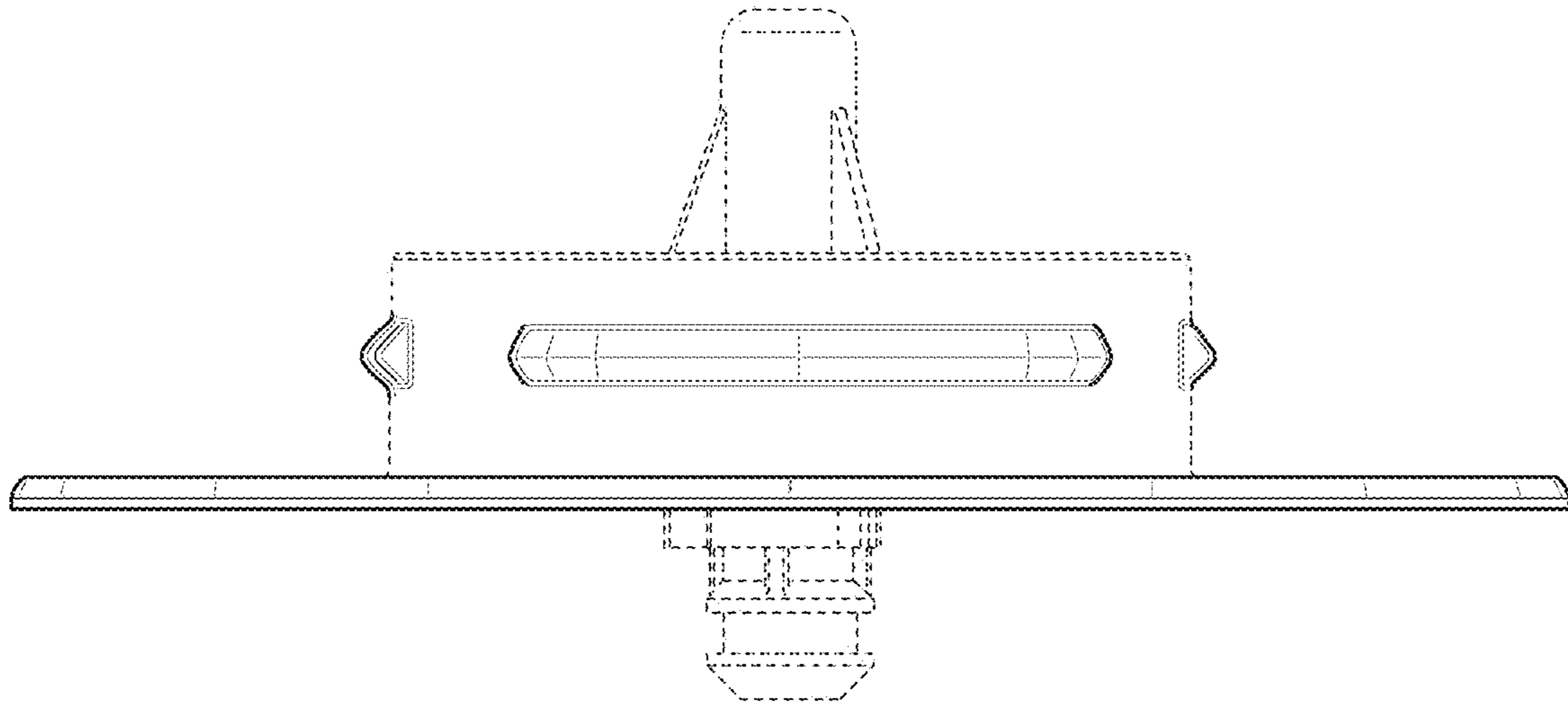


FIG. 7

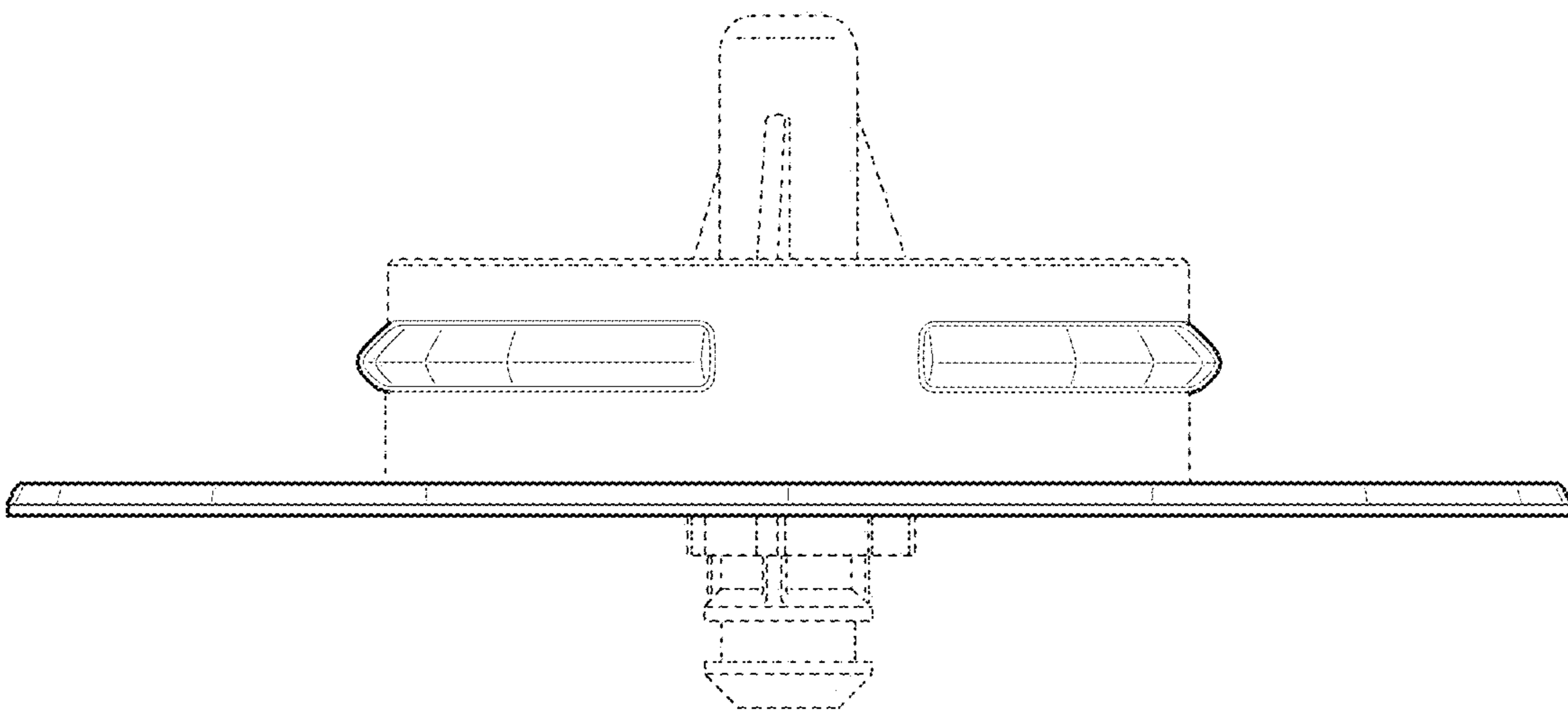


FIG. 8