



US00D966455S

(12) **United States Design Patent** (10) **Patent No.:** **US D966,455 S**
Andras (45) **Date of Patent:** **** Oct. 11, 2022**

- (54) **DECOY ANCHOR** 7,475,509 B2 * 1/2009 Cagle A01M 31/06 43/3
- (71) Applicant: **Hunter Andras**, Thibodaux, LA (US) D650,037 S * 12/2011 Kingston D22/126
- (72) Inventor: **Hunter Andras**, Thibodaux, LA (US) D682,385 S * 5/2013 Loidolt D22/125
- (73) Assignee: **Gregory Murphy Acquisitions, LLC**, Baton Rouge, LA (US) D854,646 S * 7/2019 Chauvin D22/125
- (**) Term: **15 Years** D886,939 S * 6/2020 Hebert D22/125
- (21) Appl. No.: **29/679,794** 2003/0061755 A1 * 4/2003 McGhghy A01M 31/06 43/3
- (22) Filed: **Feb. 9, 2019** 2013/0014423 A1 * 1/2013 Tonkovich H04M 1/72436 345/649
- 2019/0075784 A1 * 3/2019 Anderson A01M 31/06
- 2020/0352153 A1 * 11/2020 Newman, Jr. A01M 31/06
- 2021/0059239 A1 * 3/2021 Bednar G01B 3/04

* cited by examiner

Primary Examiner — Catherine R Oliver-Garcia
(74) *Attorney, Agent, or Firm* — AJ D. Martinez;
Sherwood, McCormick & Robert

Related U.S. Application Data

- (63) Continuation of application No. 15/399,430, filed on Jan. 5, 2017, now abandoned.
- (51) **LOC (13) Cl.** **22-05**
- (52) **U.S. Cl.**
USPC **D22/125**
- (58) **Field of Classification Search**
USPC D22/125; 119/714, 793; 114/213, 215, 114/293–294; 441/28; 242/385, 388, 242/395, 400, 405.1; 345/649; 43/2
CPC A01M 31/00; A01M 31/06; A01M 1/04
See application file for complete search history.

(57) **CLAIM**

The ornamental design for a decoy anchor, as shown and described.

DESCRIPTION

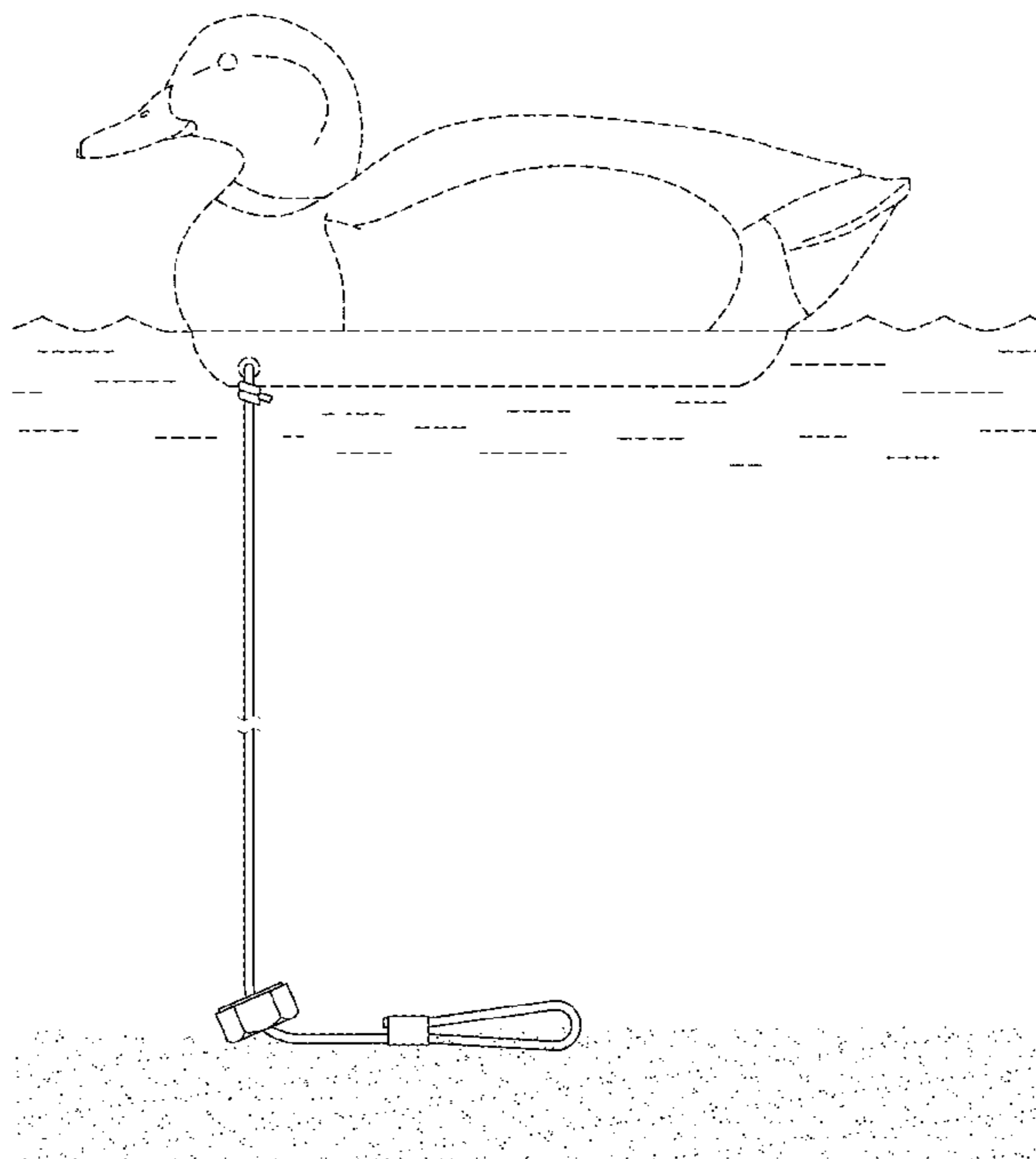
FIG. 1 is a side view of the decoy anchor showing the new design in a state of use;
FIG. 2 is an enlarged perspective view of the bottom portion with weight element, shown broken away for convenience of illustration;
FIG. 3 is a partial cross-sectional view of the weight element of the anchor line; and,
FIG. 4 is a side view of the design showing the weight element in alternate positions.
The broken line showing of a duck and weight elements are included for the purpose of illustrating environmental structure only and form no part of the claimed design.

(56) **References Cited**

U.S. PATENT DOCUMENTS

- 1,879,991 A * 9/1932 Pratt A01M 31/06 24/115 G
- 2,608,361 A * 8/1952 Huebner A01M 31/06 242/385
- D360,169 S * 7/1995 Gazalski D22/125
- 5,822,907 A * 10/1998 Lukey A01M 31/06 43/3

1 Claim, 3 Drawing Sheets



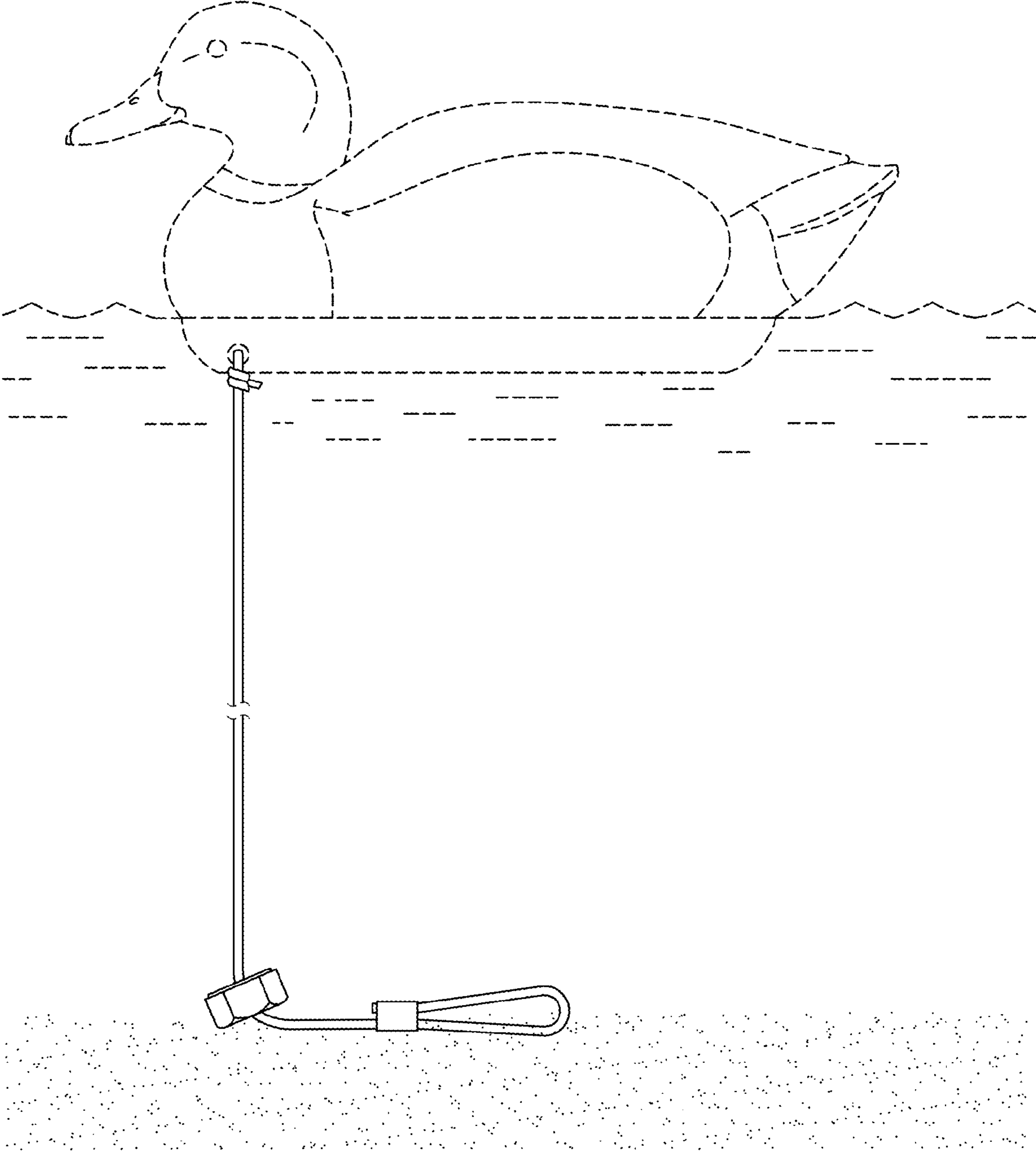


Figure 1

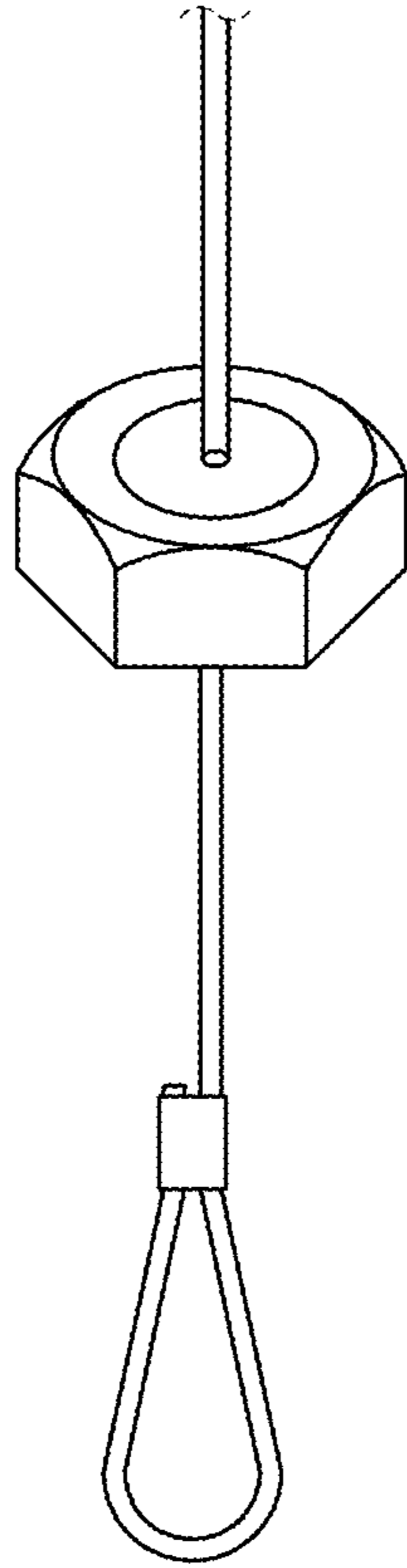


Figure 2

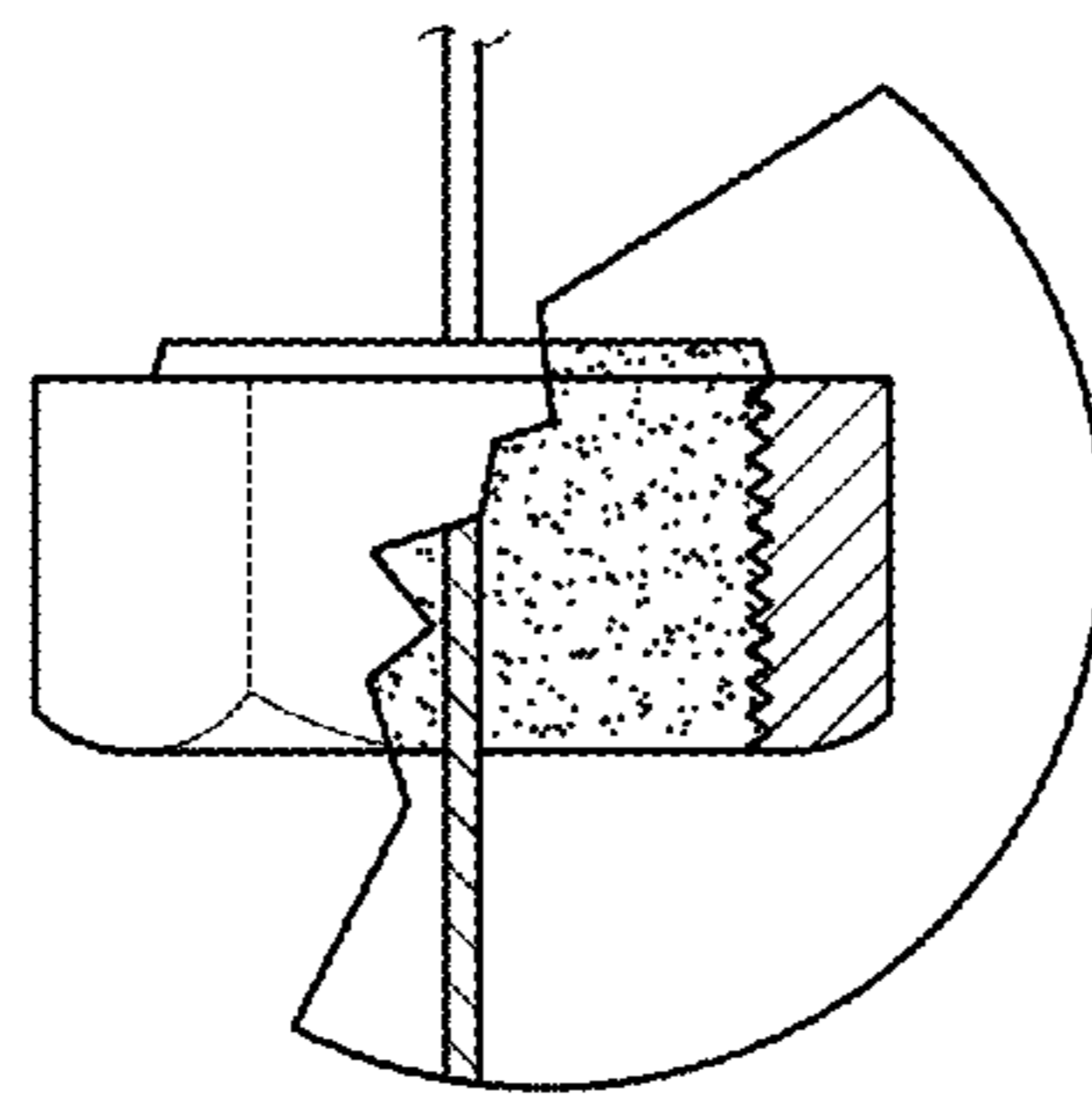


Figure 3

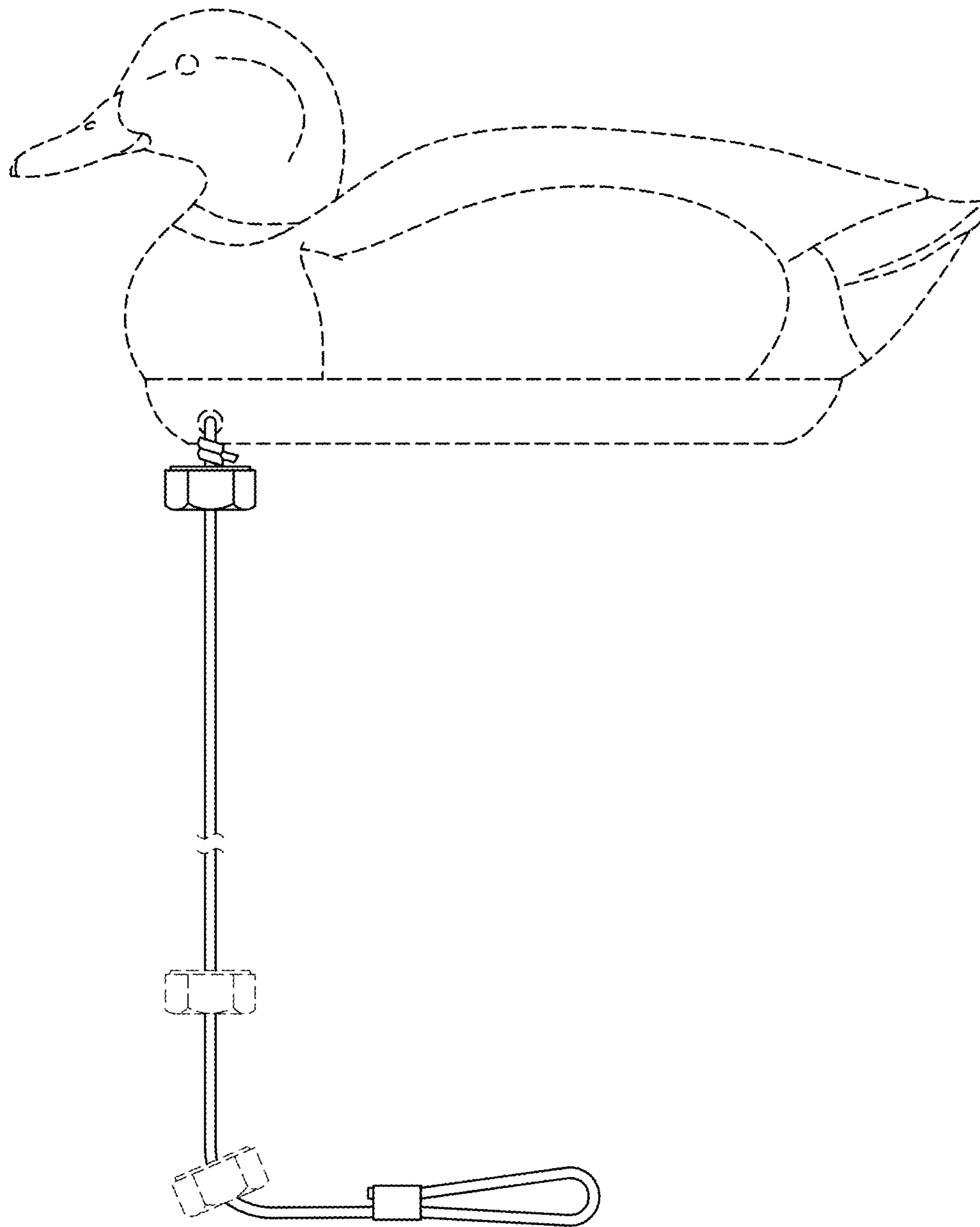


Figure 4