



US00D966454S

(12) **United States Design Patent** (10) **Patent No.:** **US D966,454 S**
Lin (45) **Date of Patent:** **** Oct. 11, 2022**

(54) **INSECT REPELLENT EVAPORATING DEVICE**

(71) Applicant: **Jingchun Lin**, Puning (CN)

(72) Inventor: **Jingchun Lin**, Puning (CN)

(**) Term: **15 Years**

(21) Appl. No.: **29/797,282**

(22) Filed: **Jun. 30, 2021**

(51) **LOC (13) Cl.** **22-06**

(52) **U.S. Cl.**
USPC **D22/122**

(58) **Field of Classification Search**
USPC D22/122–123; D26/26; D23/366–367
CPC A01M 1/02; A01M 1/20; A01M 1/2066;
A01M 29/12; A01M 1/2088; A01M
2200/012; A01M 1/2055; A61L 9/122
See application file for complete search history.

(56) **References Cited**

U.S. PATENT DOCUMENTS

4,959,925	A *	10/1990	Nelson	A01M 1/2066 43/127
D467,296	S *	12/2002	Chan	D22/122
D786,390	S	5/2017	Kim et al.		
D837,931	S	1/2019	Timper		
D841,113	S	2/2019	Jaiswal et al.		
D868,202	S *	11/2019	Gobber	D22/122
D874,629	S *	2/2020	Lee	D23/366
D908,856	S *	1/2021	Graus Ferrer	D23/366
D926,962	S *	8/2021	Warden	D23/366

2018/0035657	A1 *	2/2018	Ots	A01M 1/2016
2019/0008137	A1 *	1/2019	Shapiro	A01M 29/12
2021/0076660	A1 *	3/2021	Rubel	A01M 29/12
2021/0228850	A1 *	7/2021	Yemini	A01M 1/2055

FOREIGN PATENT DOCUMENTS

WO WO 2004/045659 * 6/2004 A61L 9/04

* cited by examiner

Primary Examiner — Catherine R Oliver-Garcia

(57) **CLAIM**

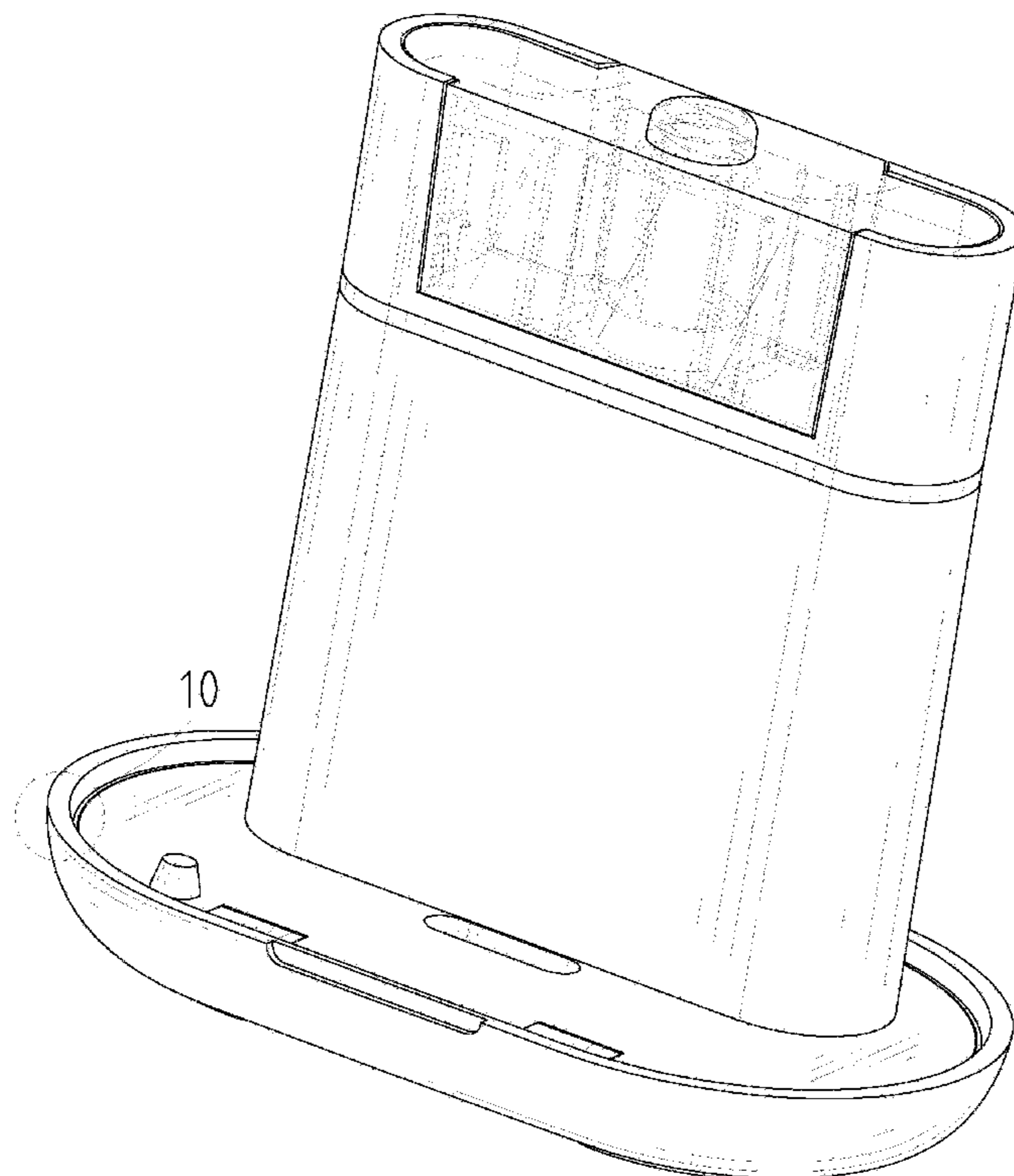
The ornamental design for an insect repellent evaporating device, as shown and described.

DESCRIPTION

FIG. 1 is a first perspective view of an insect repellent evaporating device showing my new design; FIG. 2 is a second perspective view thereof; FIG. 3 is a front view thereof; FIG. 4 is a back view thereof; FIG. 5 is a left side view thereof; FIG. 6 is a right side view thereof; FIG. 7 is a top view thereof; FIG. 8 is a bottom view thereof; FIG. 9 is a perspective view of another state of the insect repellent evaporating device thereof; and, FIG. 10 is an enlarged view of the selected portion in FIG. 1.

The broken lines shown in the drawings depict portions of the insect repellent evaporating device in which the design is embodied that form no part of the claimed design.

1 Claim, 10 Drawing Sheets



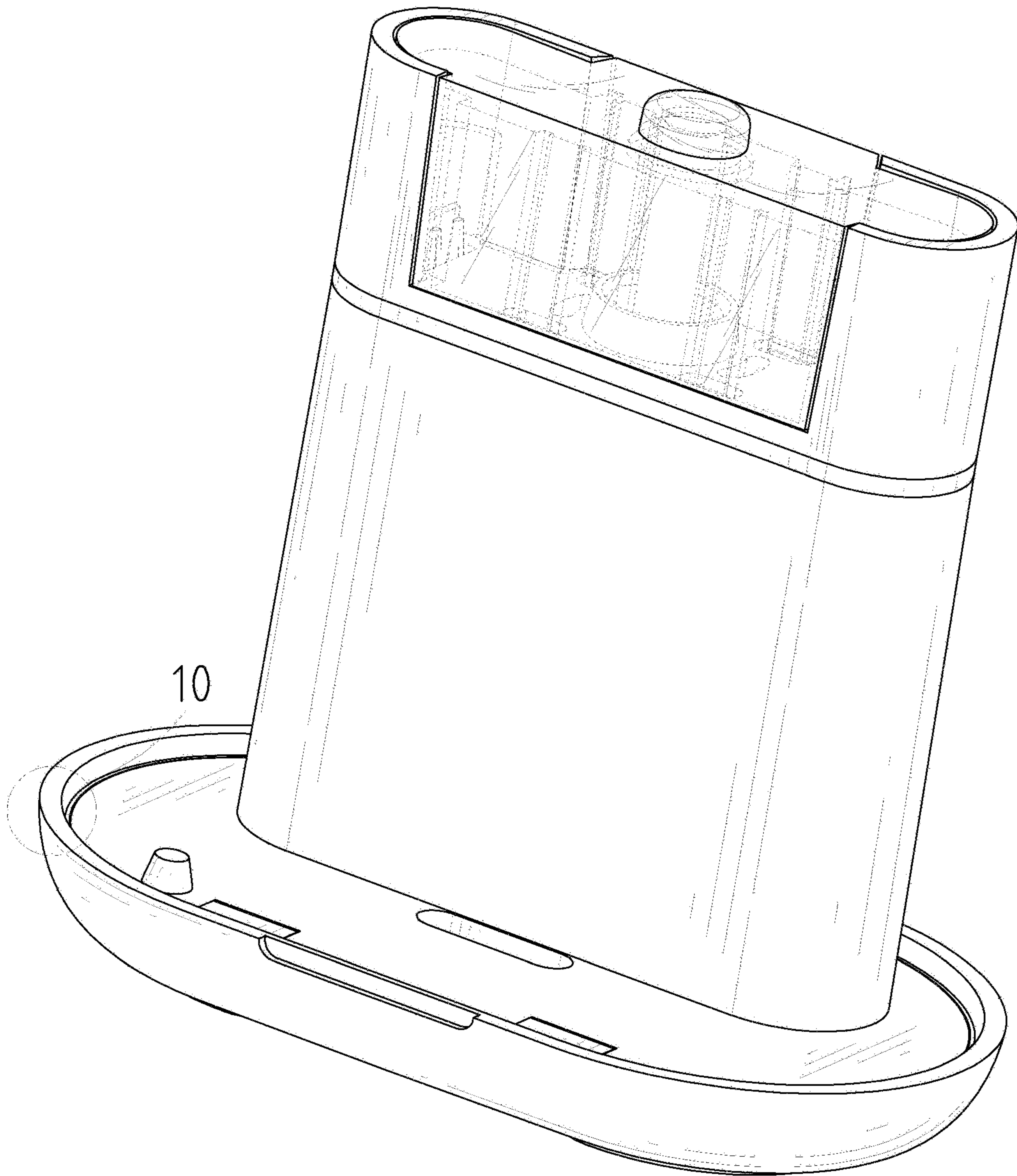


FIG. 1

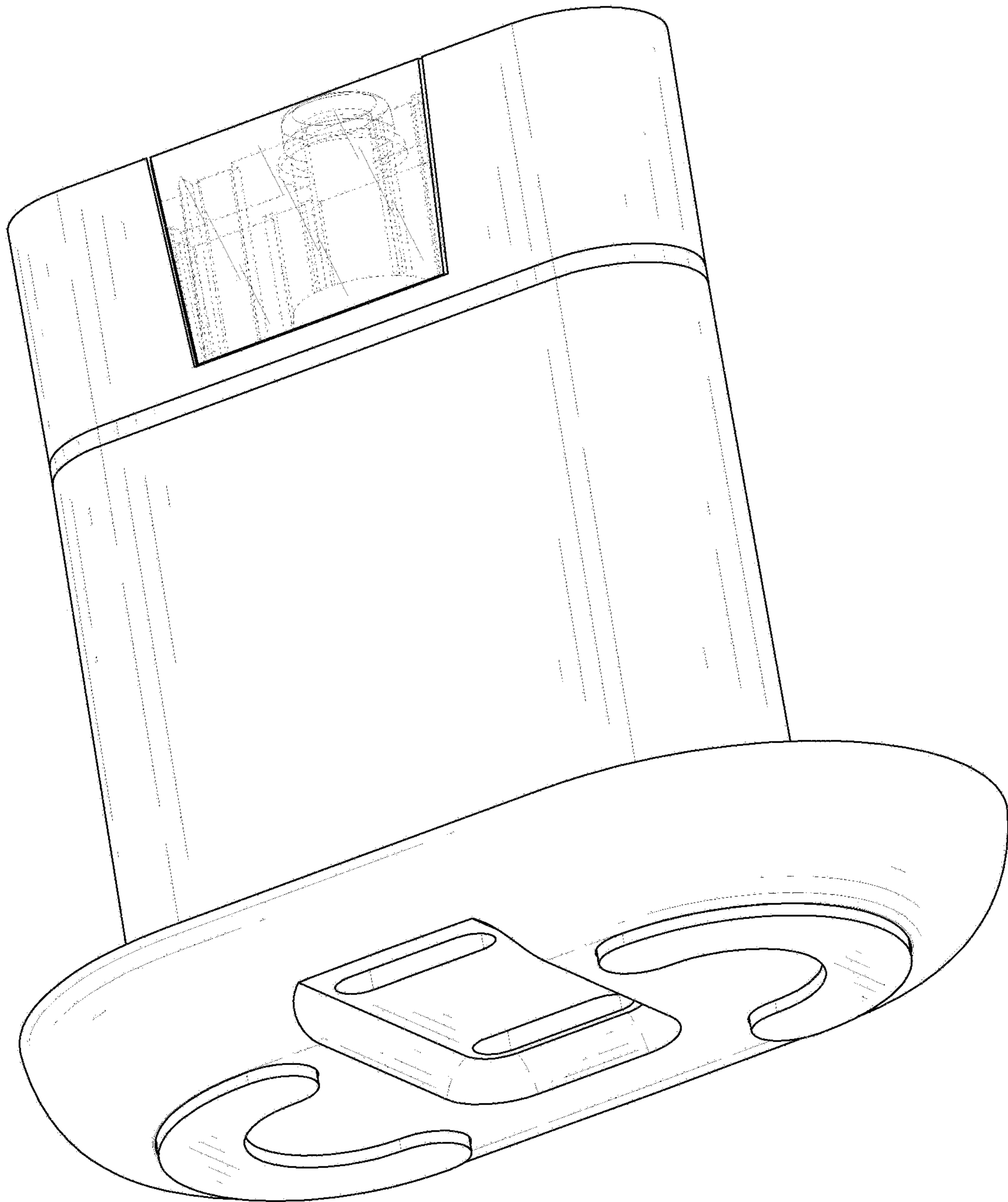


FIG. 2

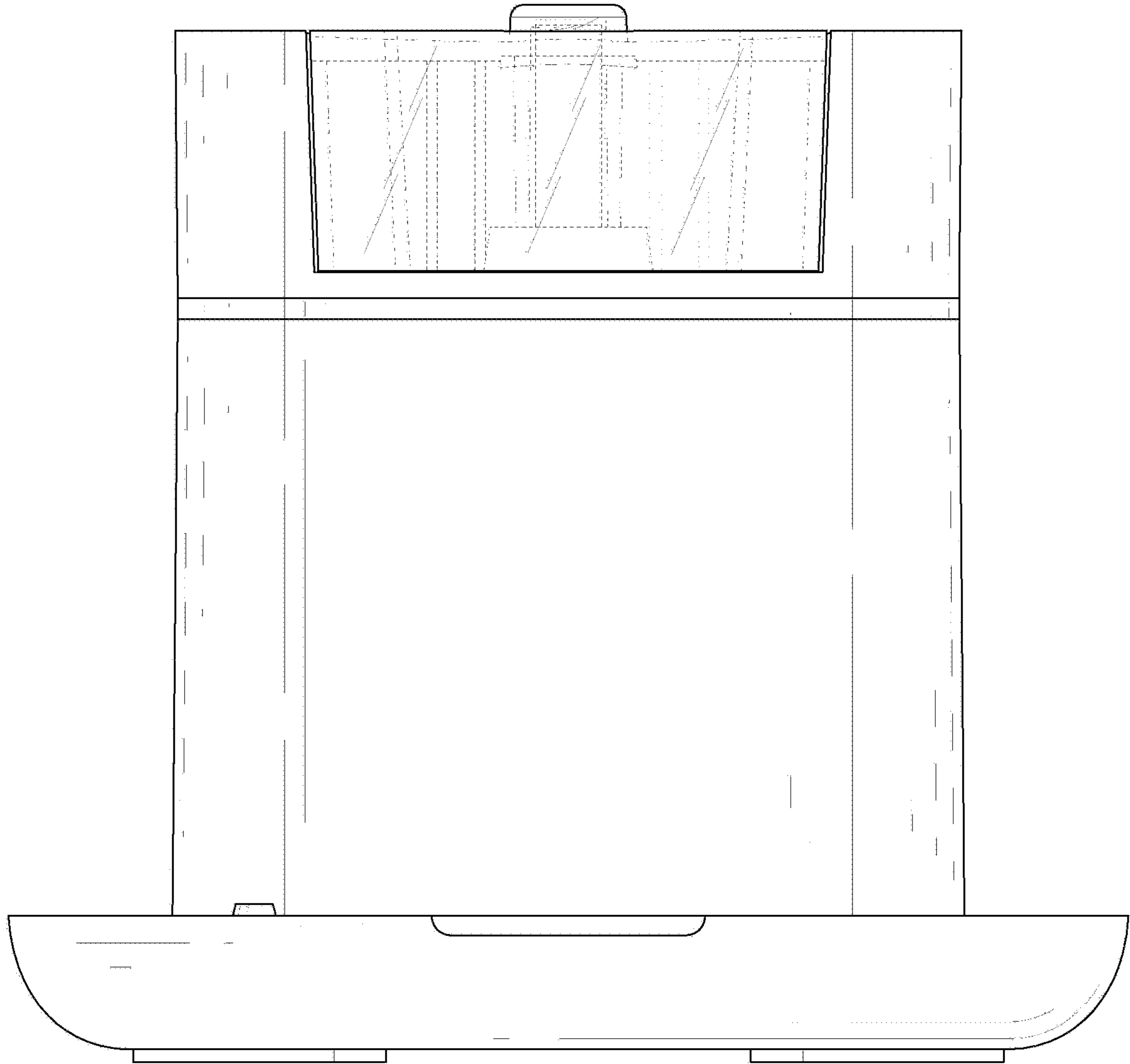


FIG. 3

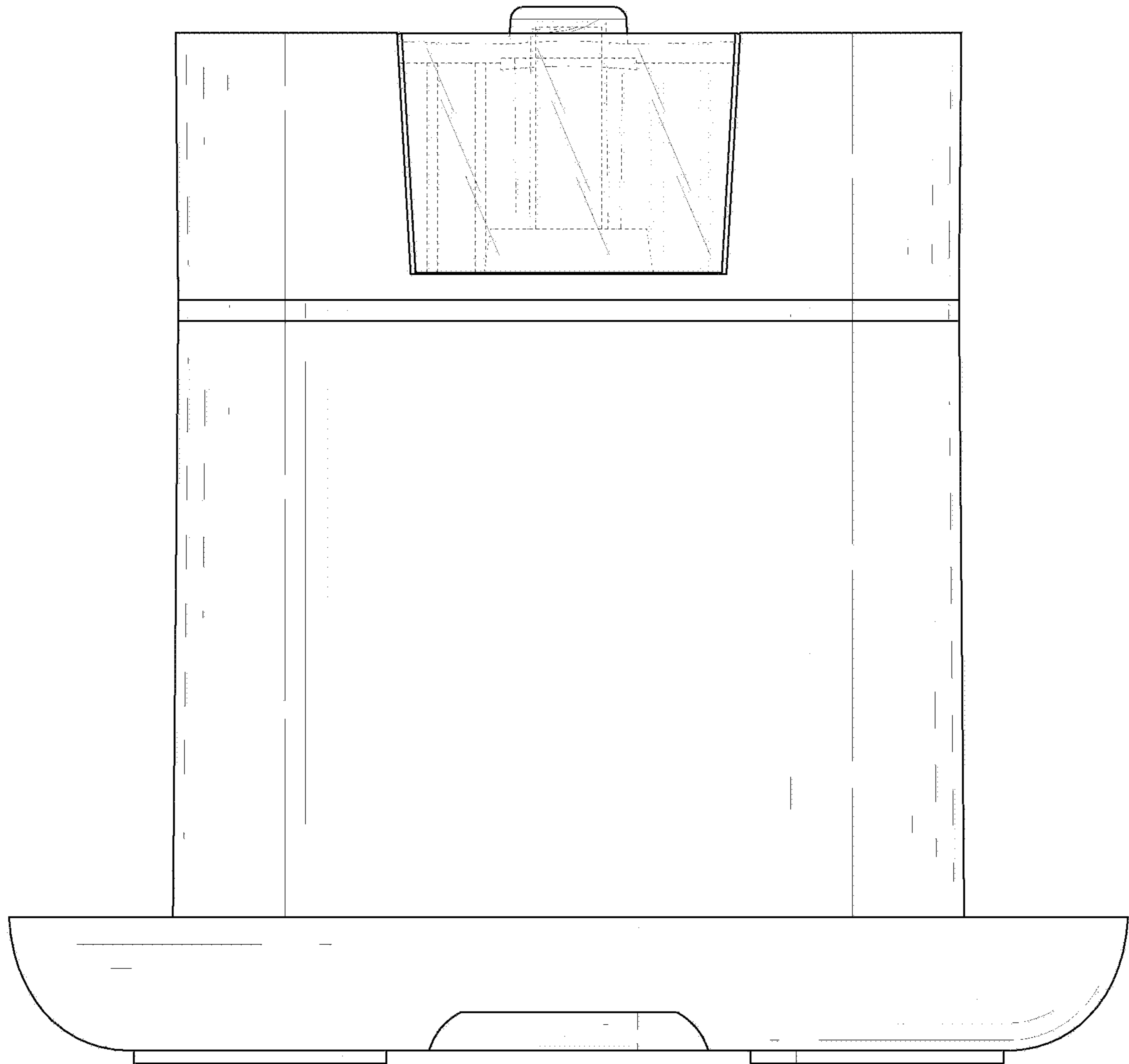


FIG. 4

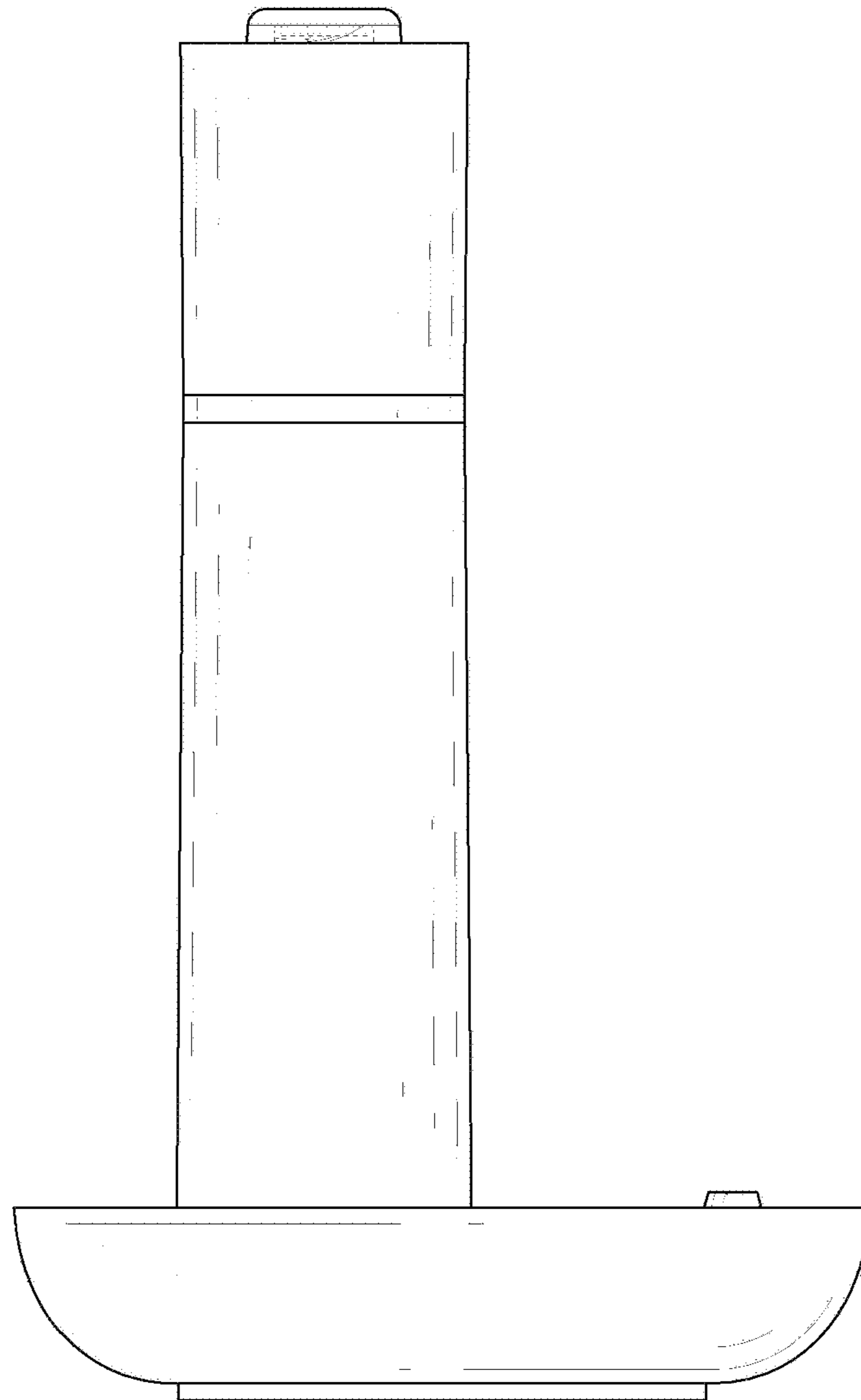


FIG. 5

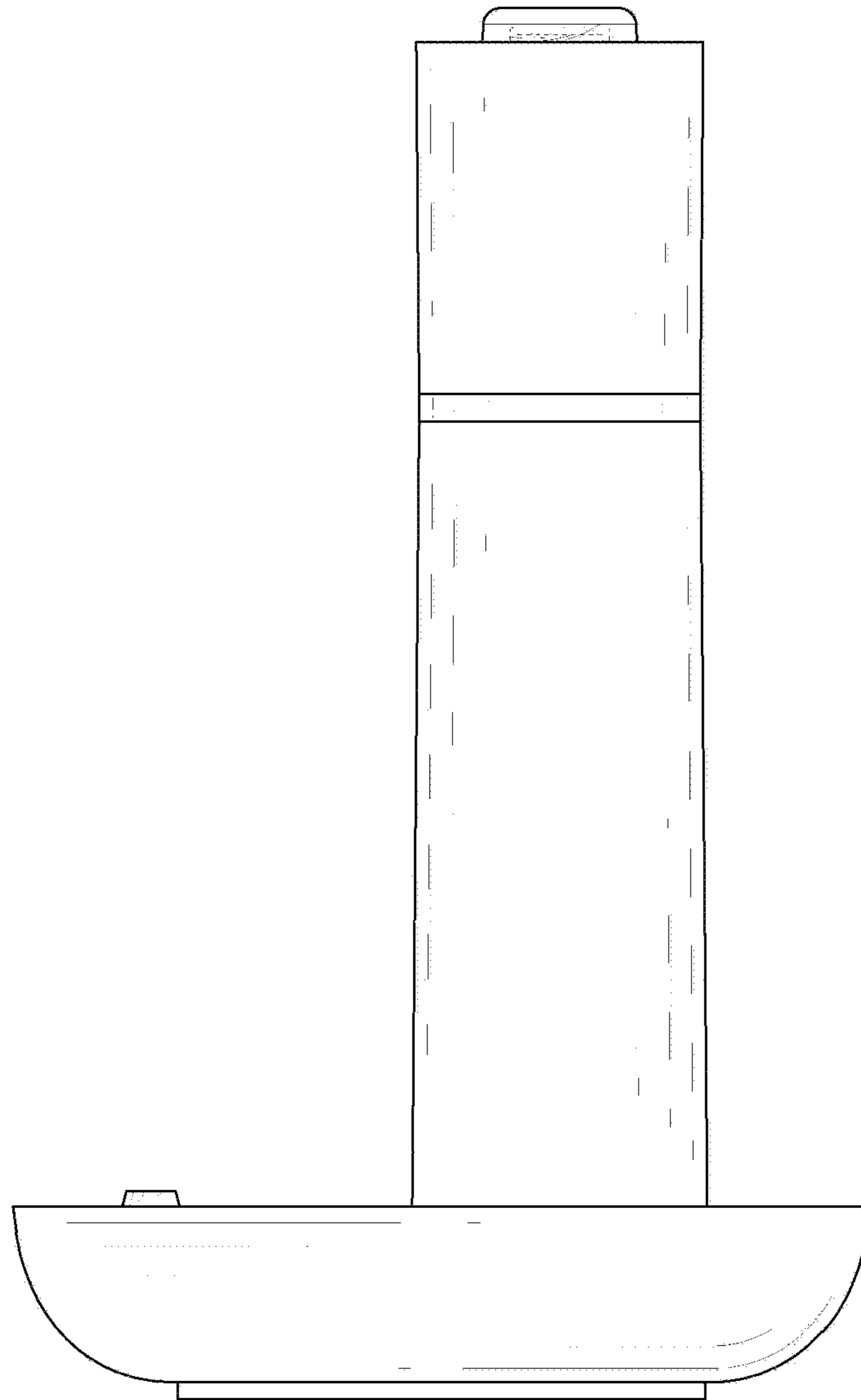


FIG. 6

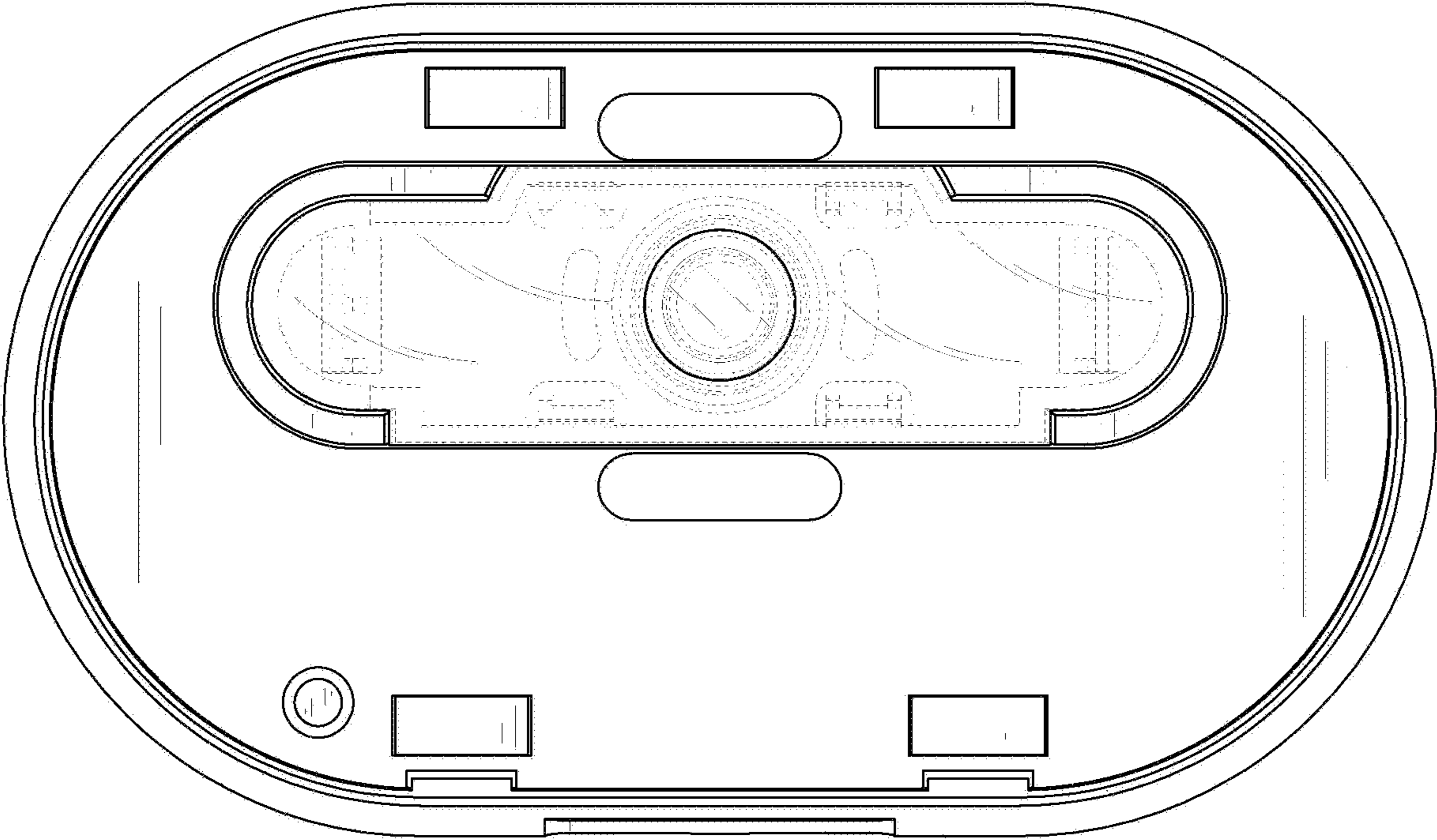


FIG. 7

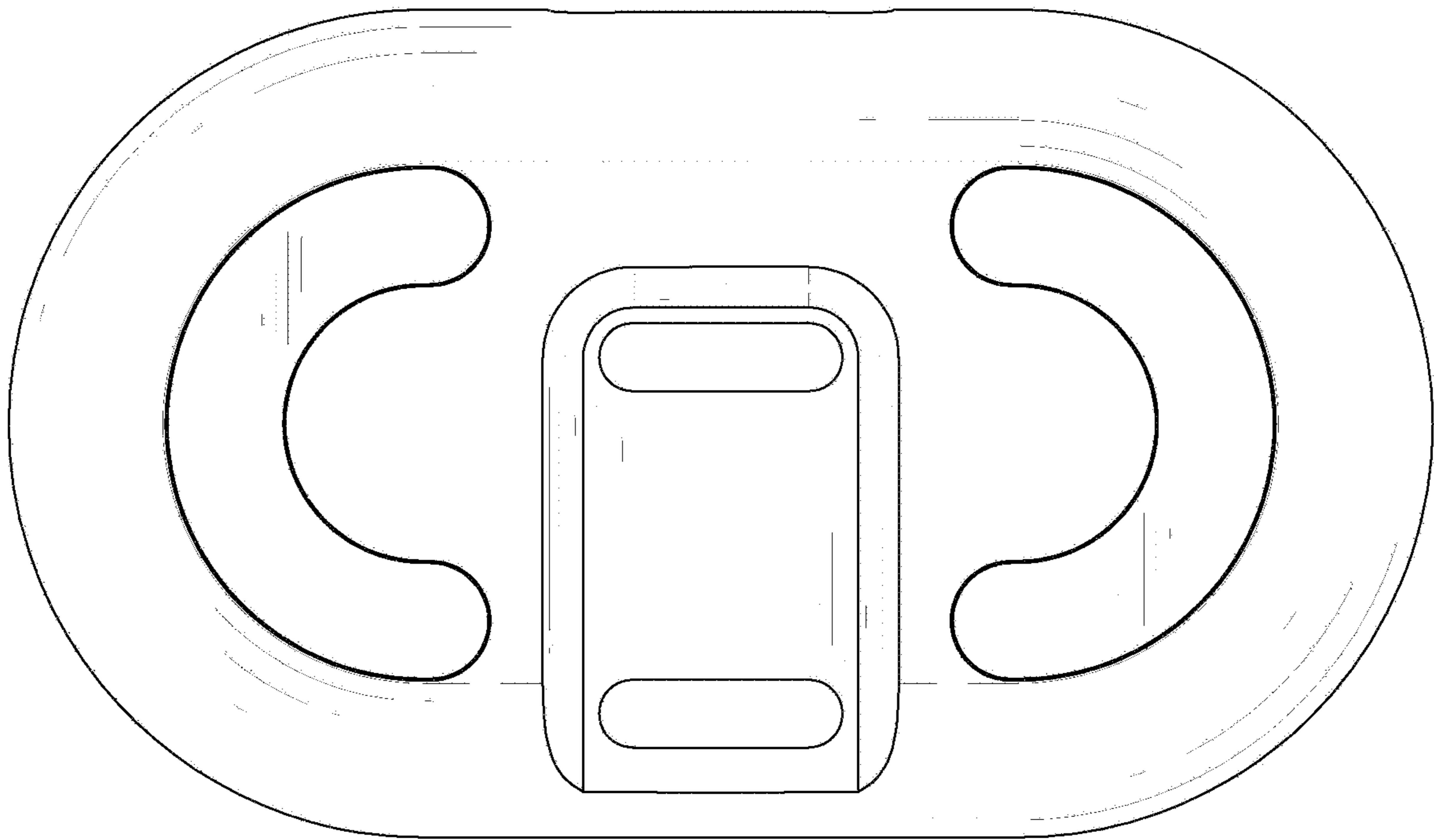


FIG. 8

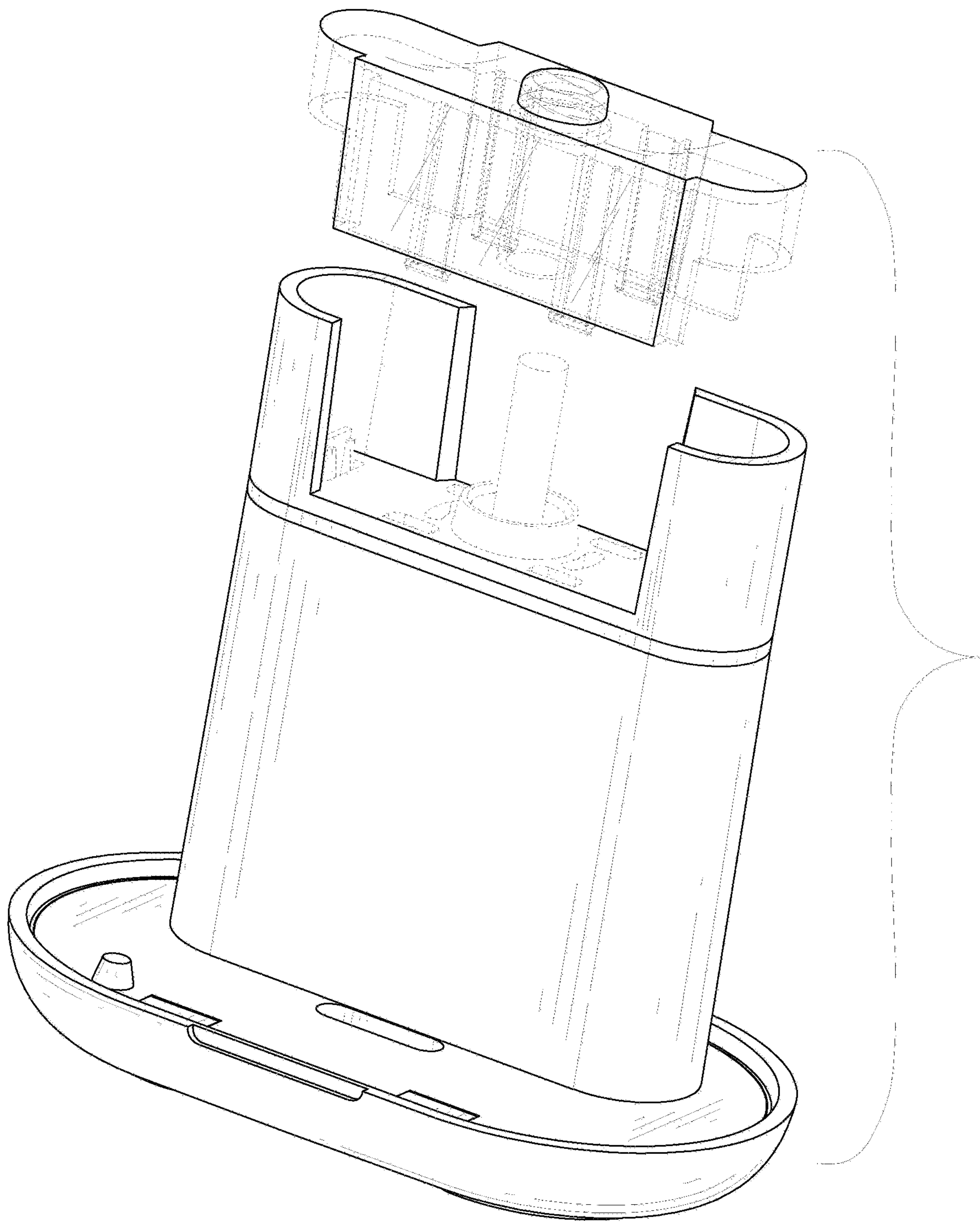


FIG. 9

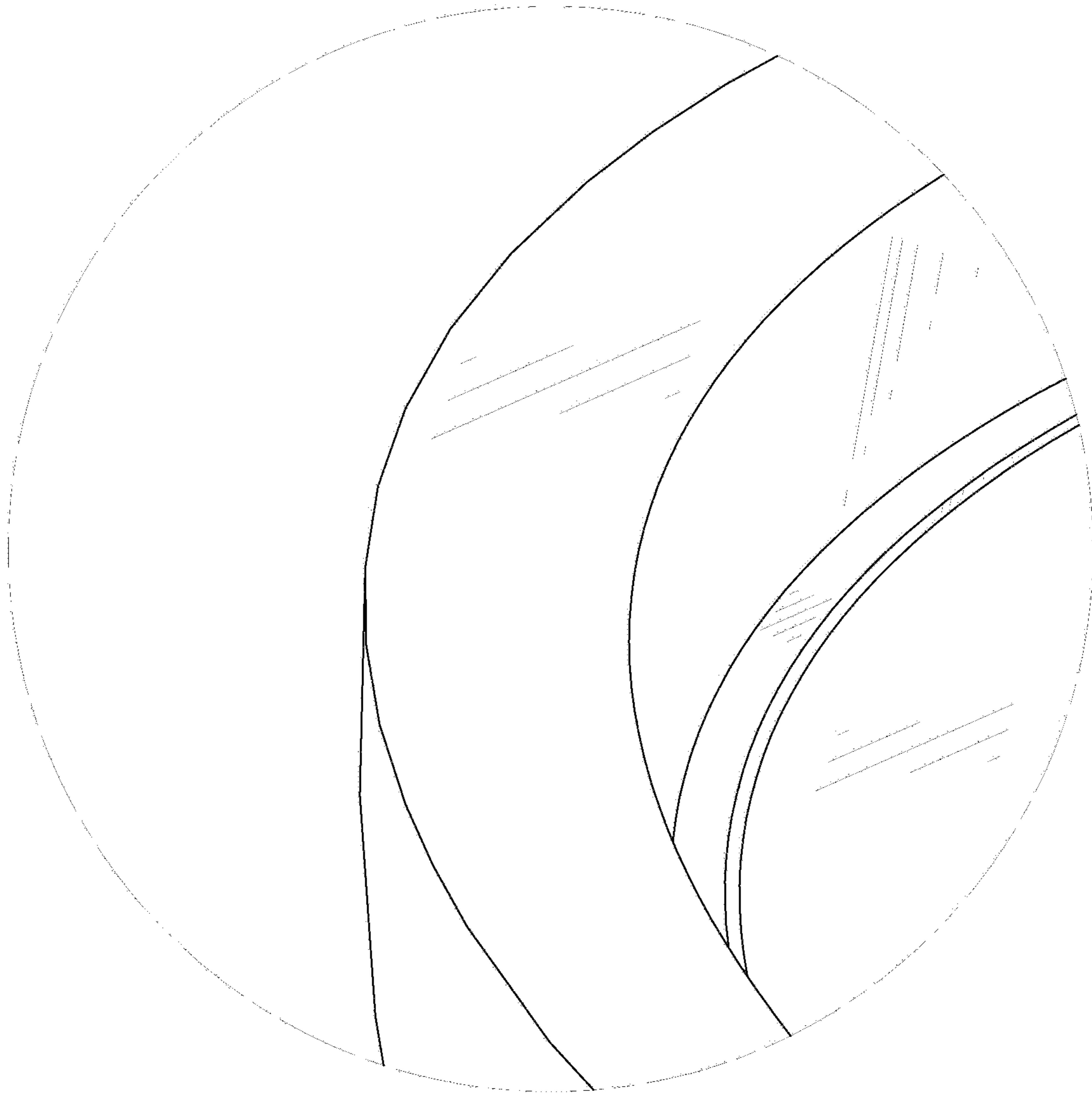


FIG. 10