



US00D966448S

(12) **United States Design Patent**
Sizemore, Jr.

(10) **Patent No.:** **US D966,448 S**

(45) **Date of Patent:** **** Oct. 11, 2022**

- (54) **PUTTER**
- (71) Applicant: **Bruce E Sizemore, Jr.**, Jackson, MI (US)
- (72) Inventor: **Bruce E Sizemore, Jr.**, Jackson, MI (US)
- (73) Assignee: **Mod Golf Technologies, LLC**, Jackson, MI (US)
- (**) Term: **15 Years**
- (21) Appl. No.: **29/737,628**
- (22) Filed: **Jun. 10, 2020**
- (51) **LOC (13) Cl.** **21-02**
- (52) **U.S. Cl.**
USPC **D21/736**
- (58) **Field of Classification Search**
USPC D21/736-746, 759
CPC A63B 53/00; A63B 53/04; A63B 53/007;
A63B 53/065; A63B 53/0487; A63B
60/00; A63B 60/46
See application file for complete search history.

(56) **References Cited**

U.S. PATENT DOCUMENTS

D322,828 S *	12/1991	Mermillod	D21/740
D500,109 S *	12/2004	Solheim	D21/736
D500,110 S *	12/2004	Solheim	D21/742
D508,273 S *	8/2005	Garner	D21/743
6,960,140 B2 *	11/2005	Solheim	A63B 53/0487 473/340
6,966,845 B2 *	11/2005	Solheim	A63B 53/0487 473/340
7,052,411 B2 *	5/2006	Solheim	A63B 53/0487 473/340
D522,598 S *	6/2006	Solheim	D21/742
D532,842 S *	11/2006	Jones	D21/736
D532,843 S *	11/2006	Jones	D21/736

7,235,021 B2 *	6/2007	Solheim	A63B 53/0487 473/340
D548,295 S *	8/2007	Jertson	D21/736
7,455,599 B2 *	11/2008	Jones	A63B 53/0487 473/340
D600,760 S *	9/2009	Serrano	D21/736
D621,460 S *	8/2010	Serrano	D21/742
D621,461 S *	8/2010	Serrano	D21/742
D621,891 S *	8/2010	Serrano	D21/742
D629,476 S *	12/2010	Serrano	D21/742
D643,080 S *	8/2011	Serrano	D21/742
D796,605 S *	9/2017	Serrano	D21/744
D816,175 S *	4/2018	Solheim	D21/743
D852,300 S *	6/2019	Wang	D21/743
D897,461 S *	9/2020	Hanet	D21/743
D908,826 S *	1/2021	Clarke	D21/736
D941,945 S *	1/2022	Nicolette	D21/736

* cited by examiner

Primary Examiner — Mitchell I. Siegel

(74) *Attorney, Agent, or Firm* — Warner Norcross + Judd LLP

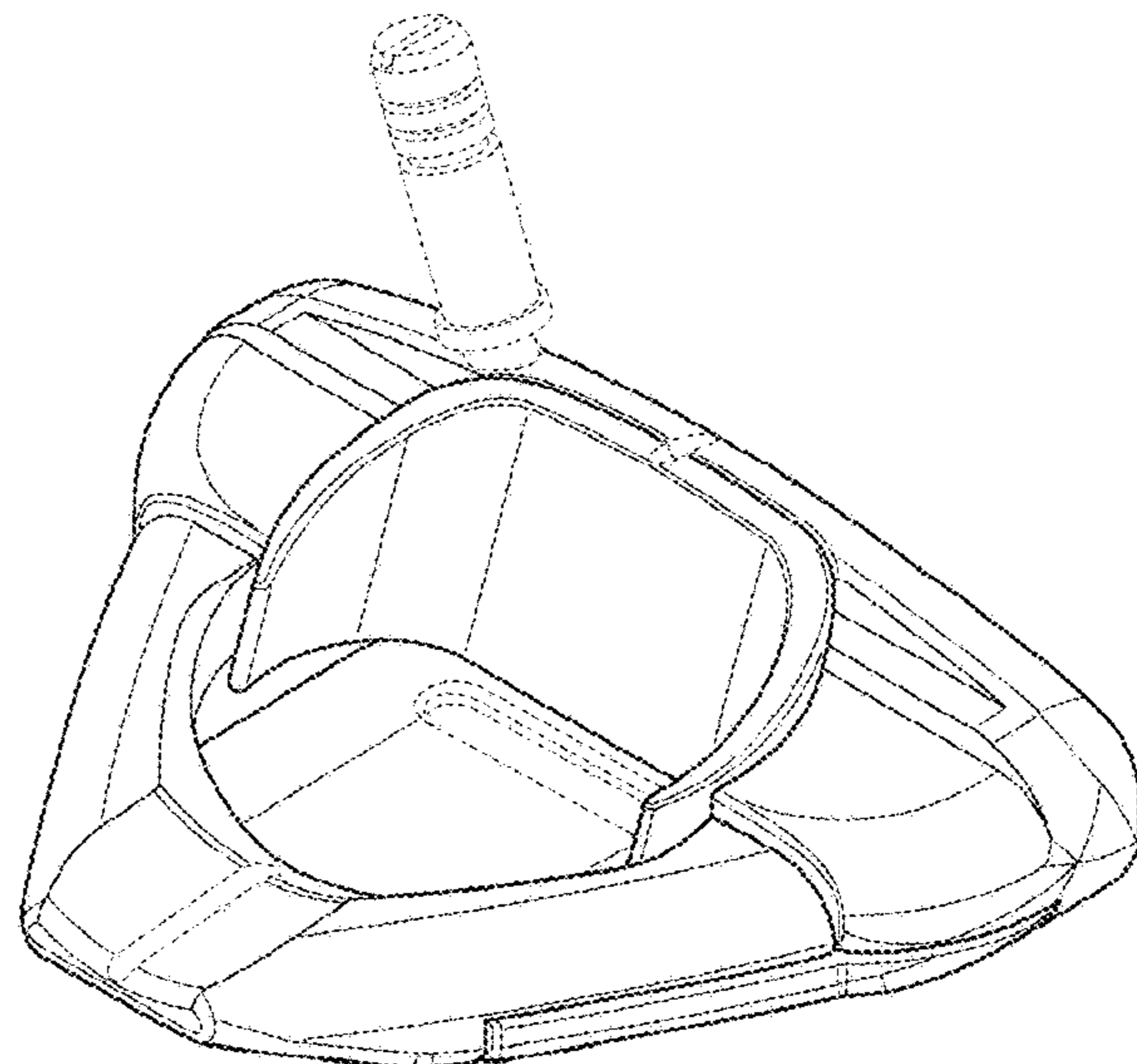
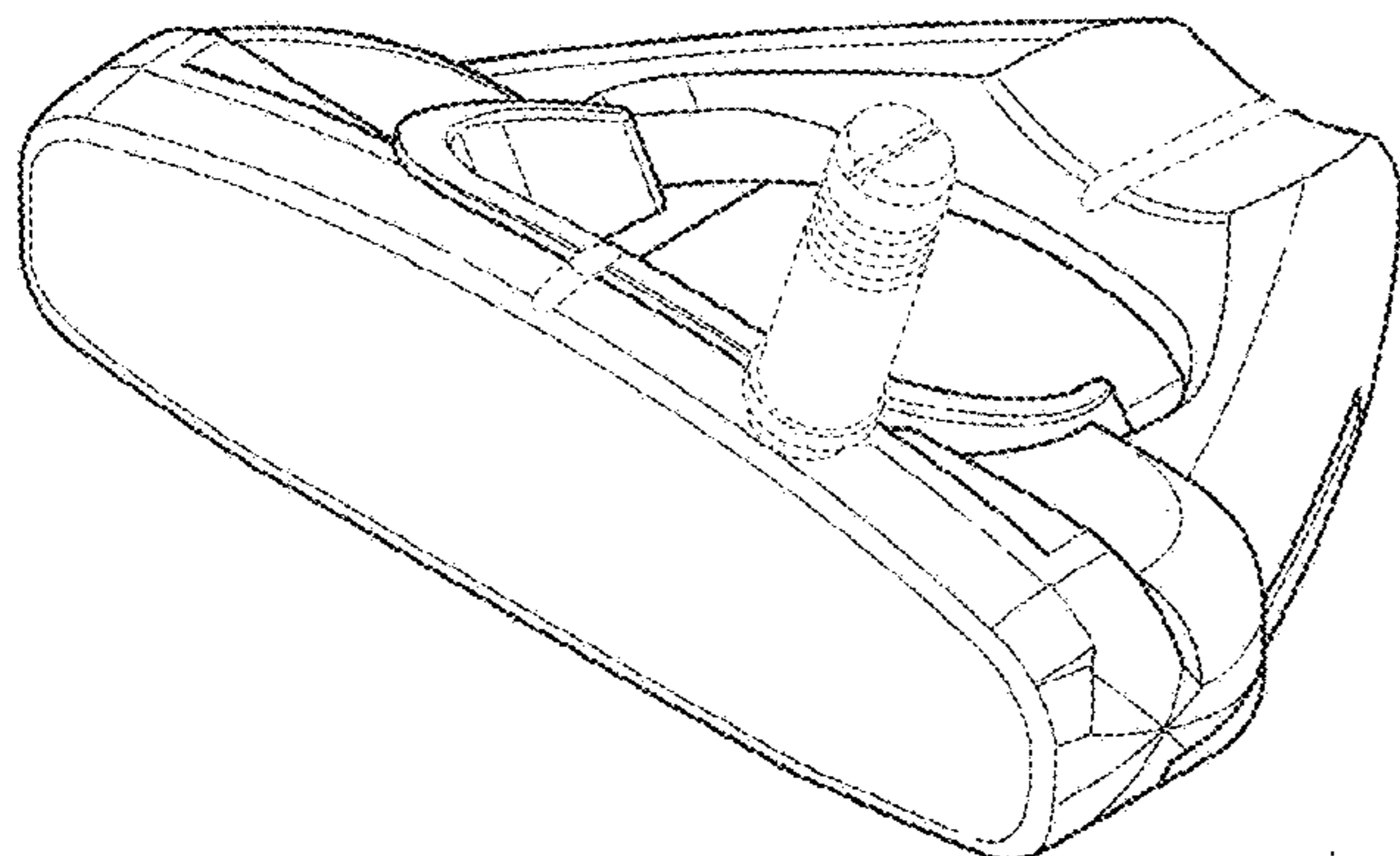
(57) **CLAIM**

The ornamental design for a putter, as shown and described.

DESCRIPTION

FIG. 1 is a front perspective view of the present invention showing my new putter design;
 FIG. 2 is a rear perspective view thereof;
 FIG. 3 is a front elevational view thereof;
 FIG. 4 is a top plan view thereof;
 FIG. 5 is a rear elevational view thereof;
 FIG. 6 is a bottom plan view thereof;
 FIG. 7 is a right side elevational view thereof; and,
 FIG. 8 is a left side elevational view thereof.
 FIGS. 1-8 show portions of the design in broken lines. The portions shown in broken lines form no part of the claimed design.

1 Claim, 4 Drawing Sheets



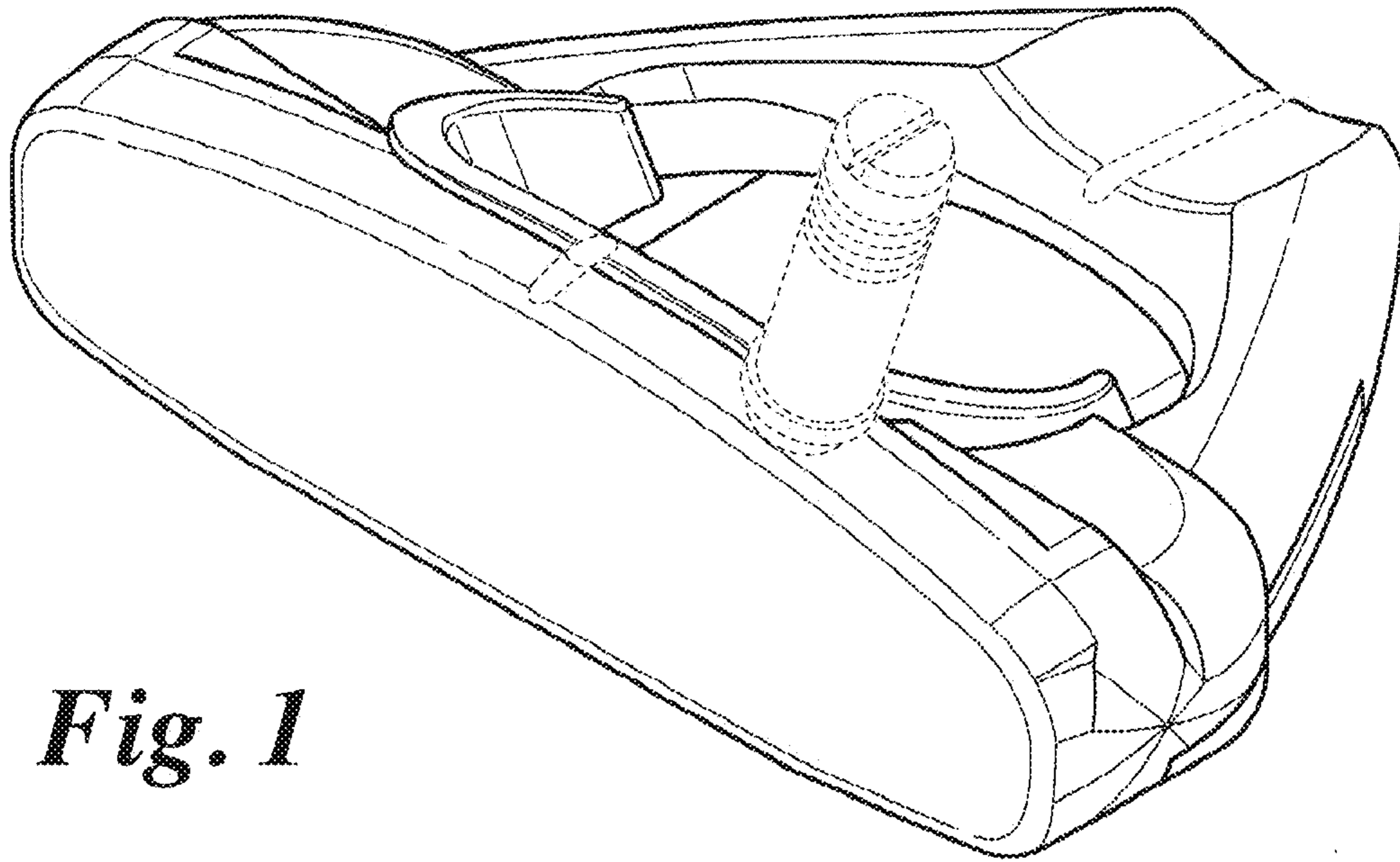


Fig. 1

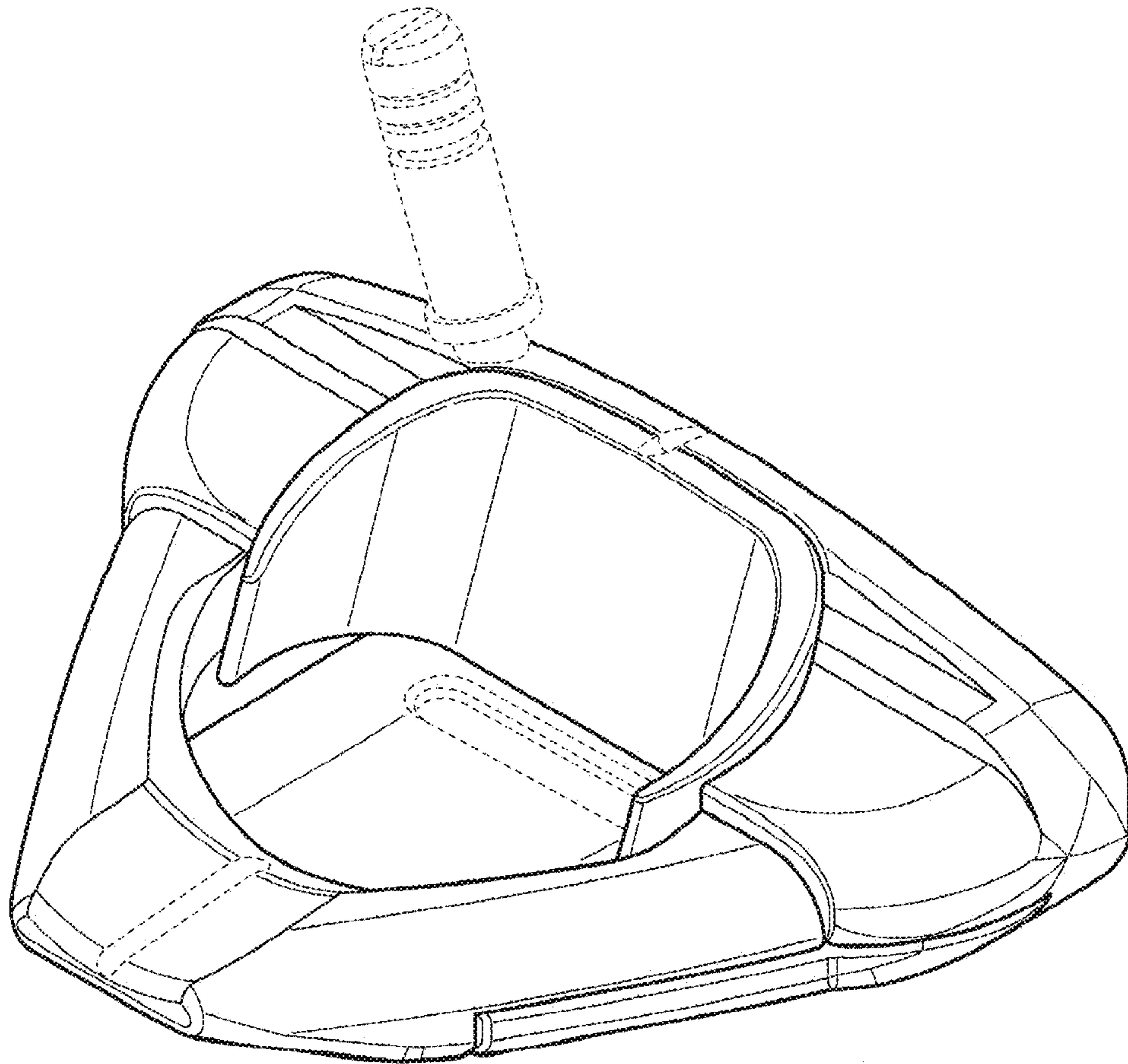


Fig. 2

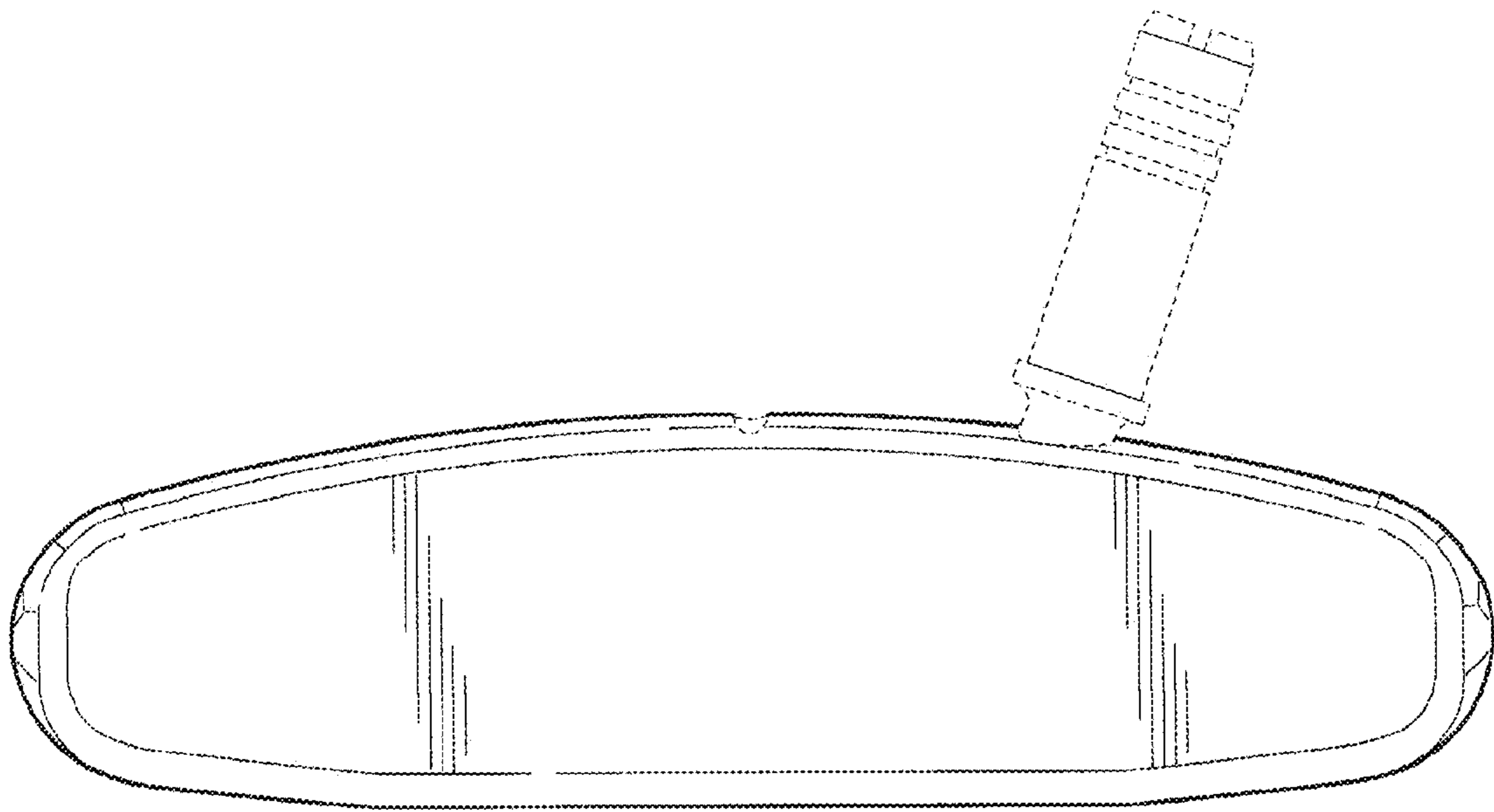


Fig. 3

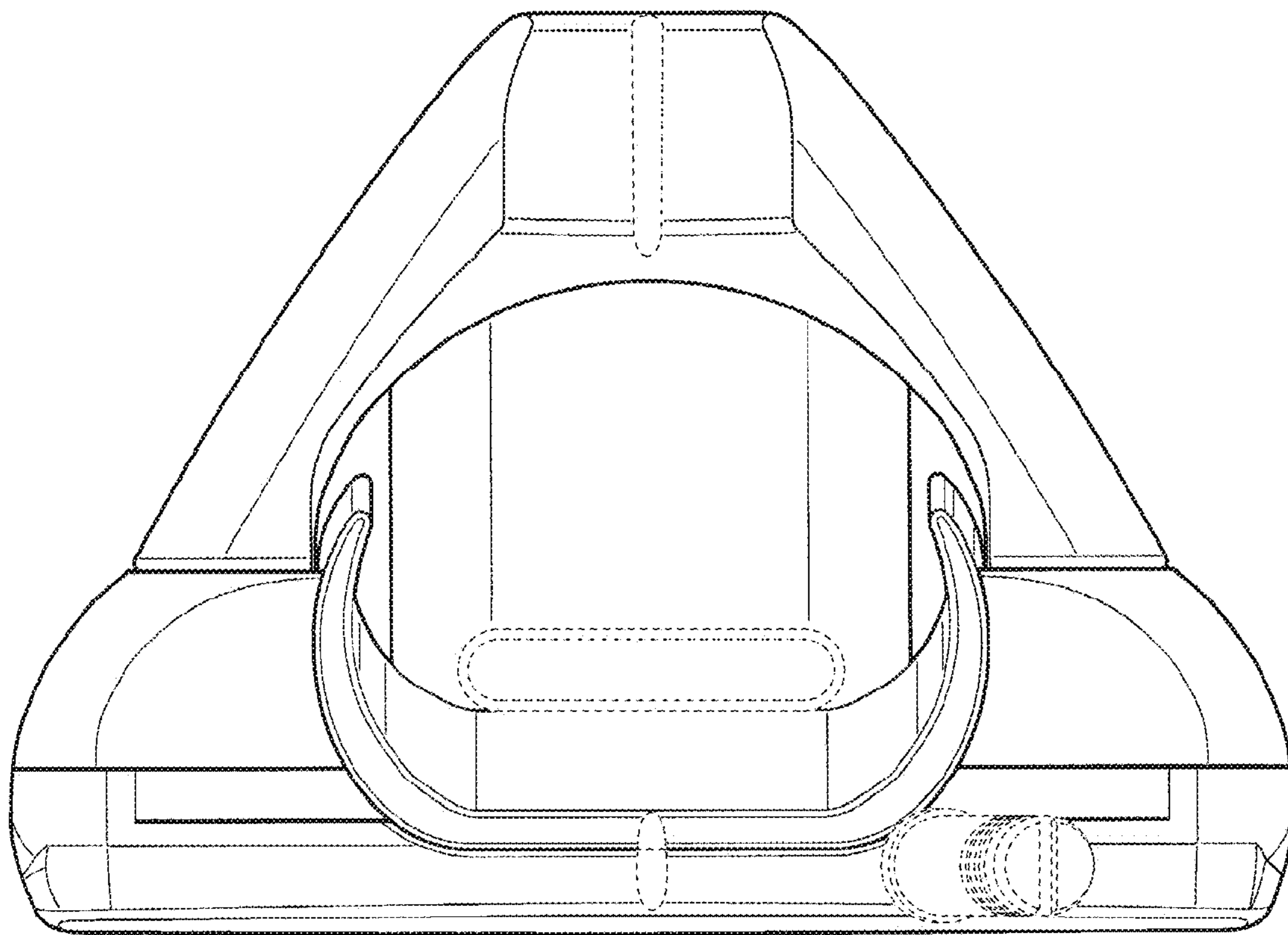


Fig. 4

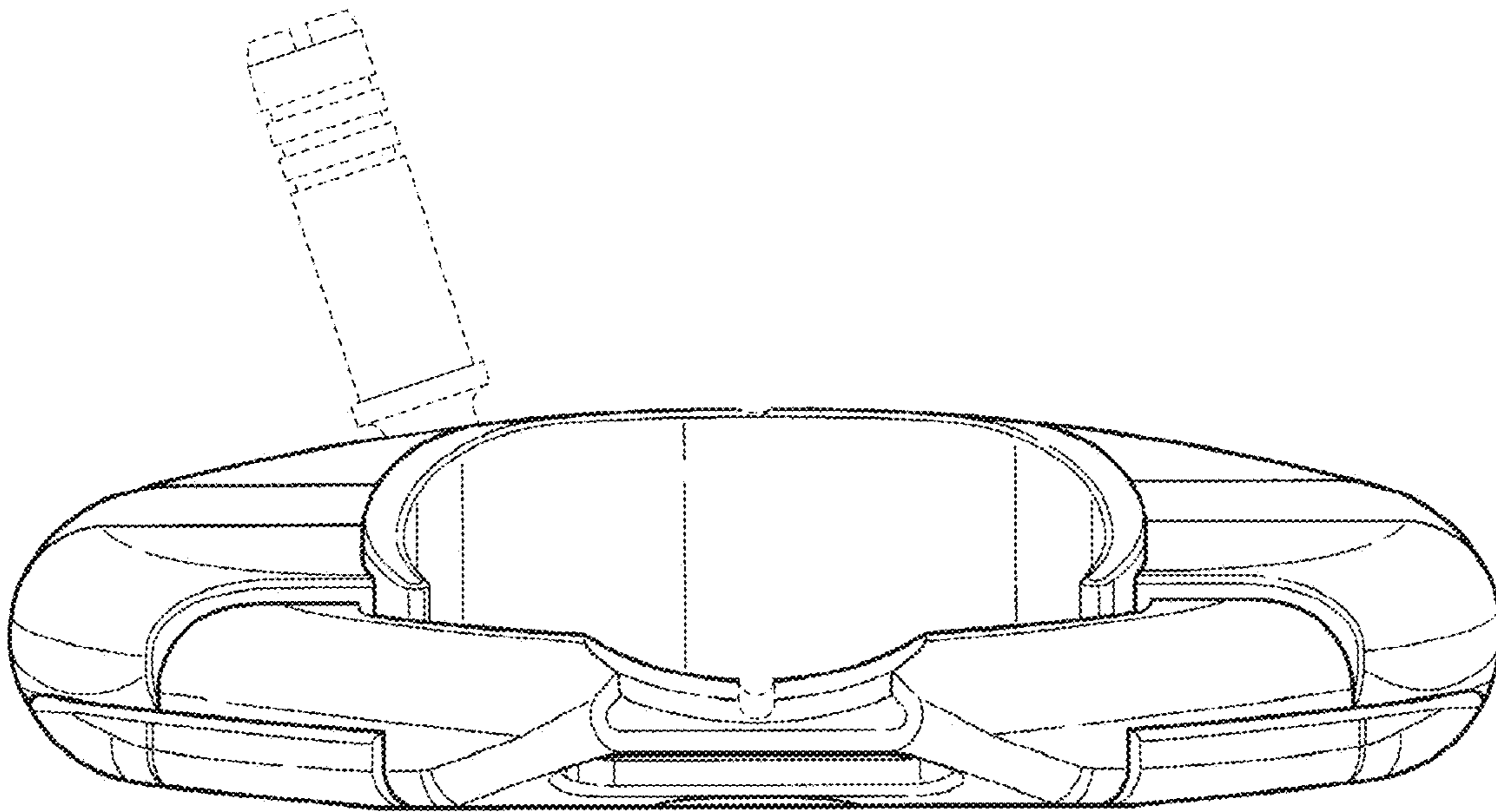


Fig. 5

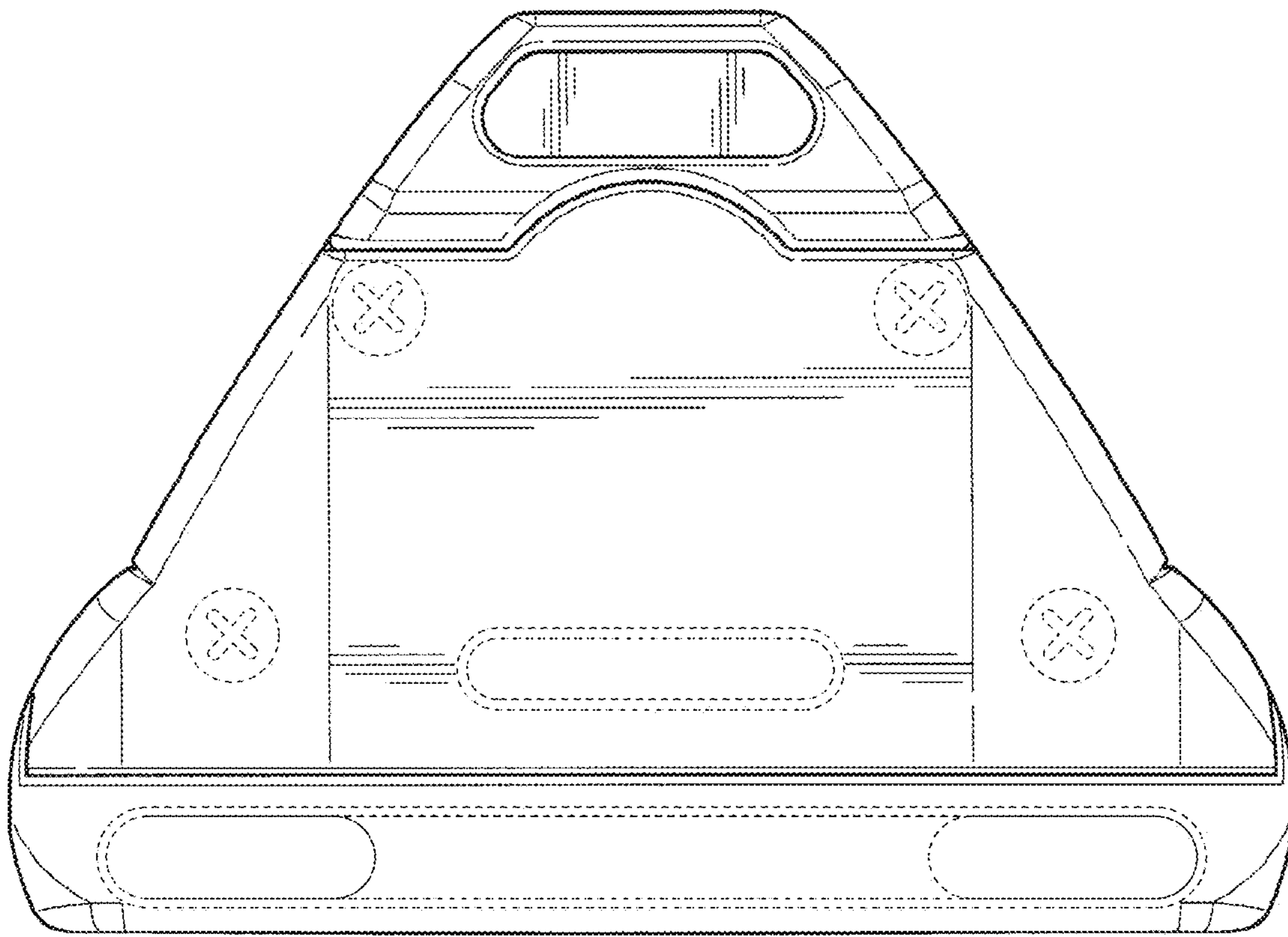


Fig. 6

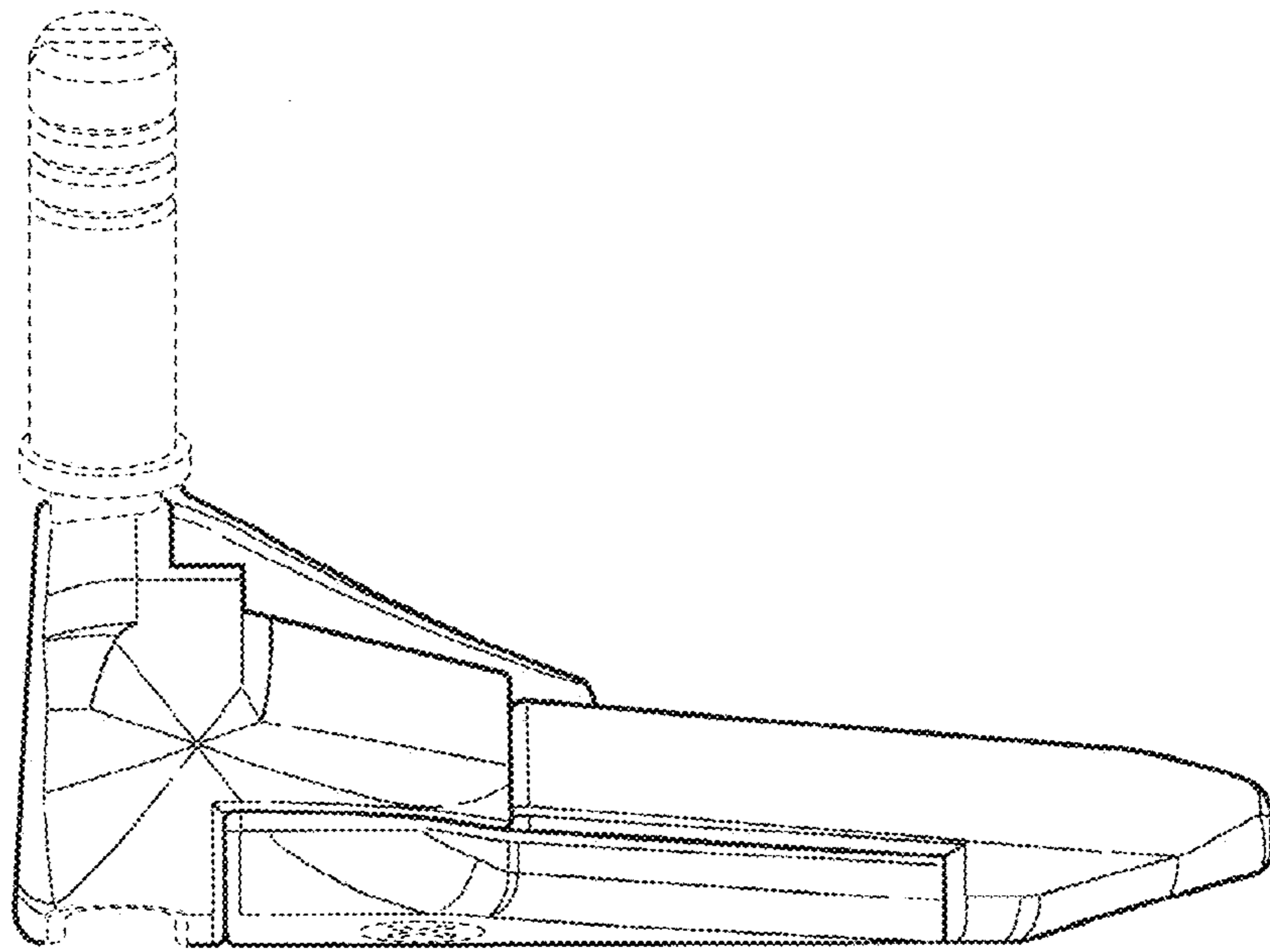


Fig. 7

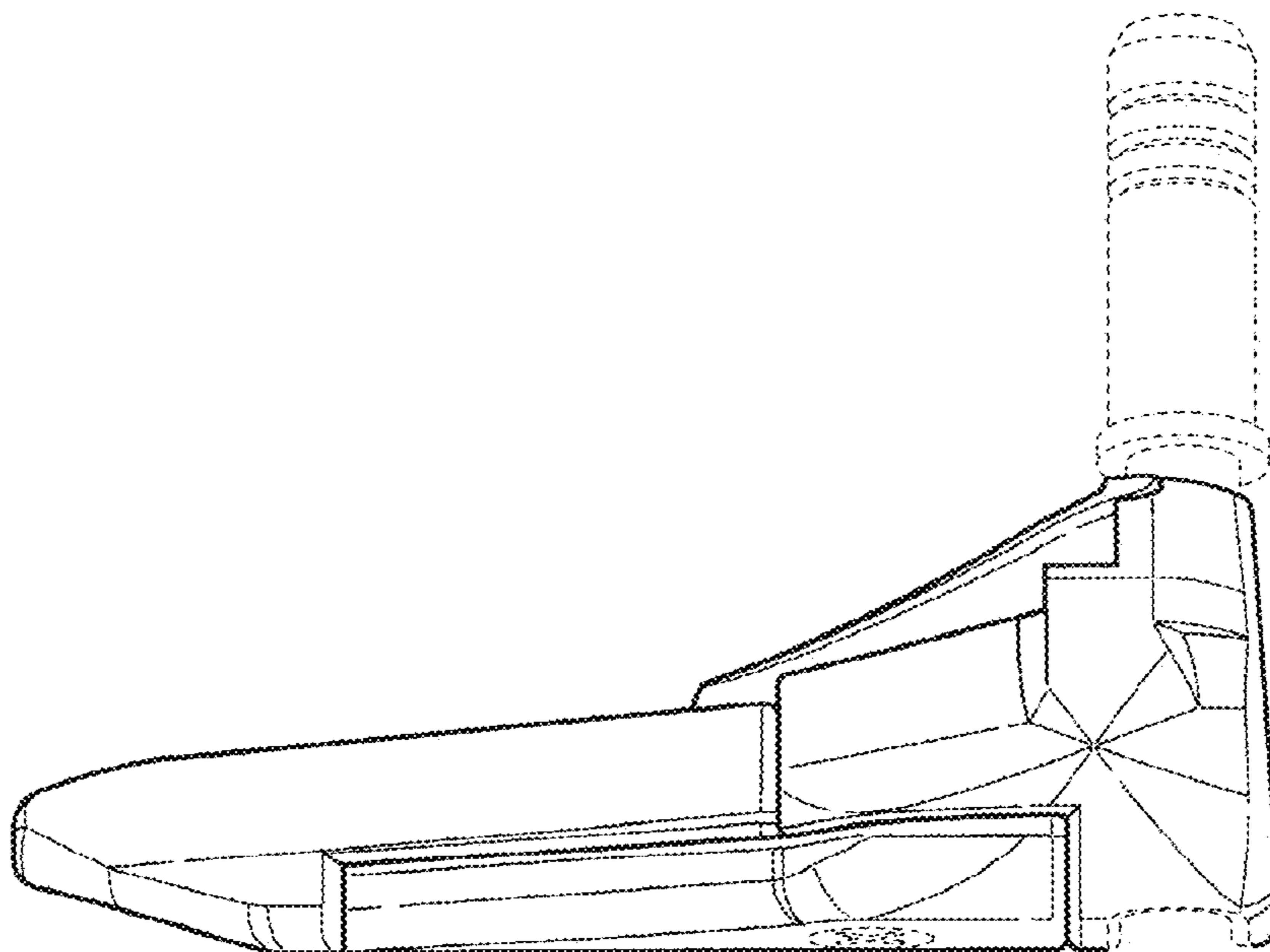


Fig. 8