



US00D966446S

(12) **United States Design Patent** (10) **Patent No.:** **US D966,446 S**
Westrom et al. (45) **Date of Patent:** **** Oct. 11, 2022**

(54) **SOCCER TEE**

(74) *Attorney, Agent, or Firm* — Jeffrey Roddy

(71) Applicants: **James Michael Westrom**, Colleyville, TX (US); **James Donn Hethcock, Jr.**, Colleyville, TX (US); **Jacob Hethcock**, Colleyville, TX (US)

(57) **CLAIM**

The ornamental design for a soccer tee, as shown and described.

(72) Inventors: **James Michael Westrom**, Colleyville, TX (US); **James Donn Hethcock, Jr.**, Colleyville, TX (US); **Jacob Hethcock**, Colleyville, TX (US)

DESCRIPTION

(**) Term: **15 Years**

FIG. 1 is a top perspective view of a first embodiment of a soccer tee showing our new design, shown with twelve circumferential apertures;

(21) Appl. No.: **29/754,303**

FIG. 2 is a top perspective view thereof with the upper portion folded inside;

(22) Filed: **Oct. 9, 2020**

FIG. 3 is a bottom perspective view of FIG. 1;

(51) **LOC (13) Cl.** **21-02**

FIG. 4 is a bottom perspective view thereof with the upper portion shown folded inside;

(52) **U.S. Cl.**

USPC **D21/717**

FIG. 5 is a side view of FIG. 1;

(58) **Field of Classification Search**

USPC D21/789, 790, 791, 793, 794, 796, 319, D21/358, 698, 715, 716, 717, 718, 720,

(Continued)

FIG. 6 is a side view thereof with the upper portion folded inside;

FIG. 7 is a top plan view of FIG. 1;

(56) **References Cited**

U.S. PATENT DOCUMENTS

662,368 A * 11/1900 Wetzel A63B 57/15
229/4.5
1,554,321 A * 9/1925 Banigan A63B 57/10
D21/717

(Continued)

FIG. 8 is a top plan view thereof with the upper portion folded inside;

FIG. 9 is a side perspective view of FIG. 1 shown in an environmental setting;

FIG. 10 is another side perspective view of FIG. 1 in an environmental setting;

FIG. 11 is a side perspective view of FIG. 2 shown in an environmental setting;

FIG. 12 is another side perspective view of FIG. 2 shown in an environmental setting;

FIG. 13 is a top perspective view of the second embodiment of the soccer tee, shown with nine circumferential apertures, the other side of the view being a mirror image thereof;

FIG. 14 is a top perspective view thereof with the upper portion shown folded inside, the other side of the view being a mirror image thereof; and,

FIG. 15 is a top plan view of FIG. 14.

The broken lines showing a leg and a foot, a ball, grass and spikes in FIGS. 9-12 depict environmental subject matter and form no part of the claimed design. All other broken lines depict portions of the soccer tee that form no part of the claimed design. The bottom view of the second embodiment of the article is not shown in the drawings or described in the specification. It is understood that the appearance of any part

(Continued)

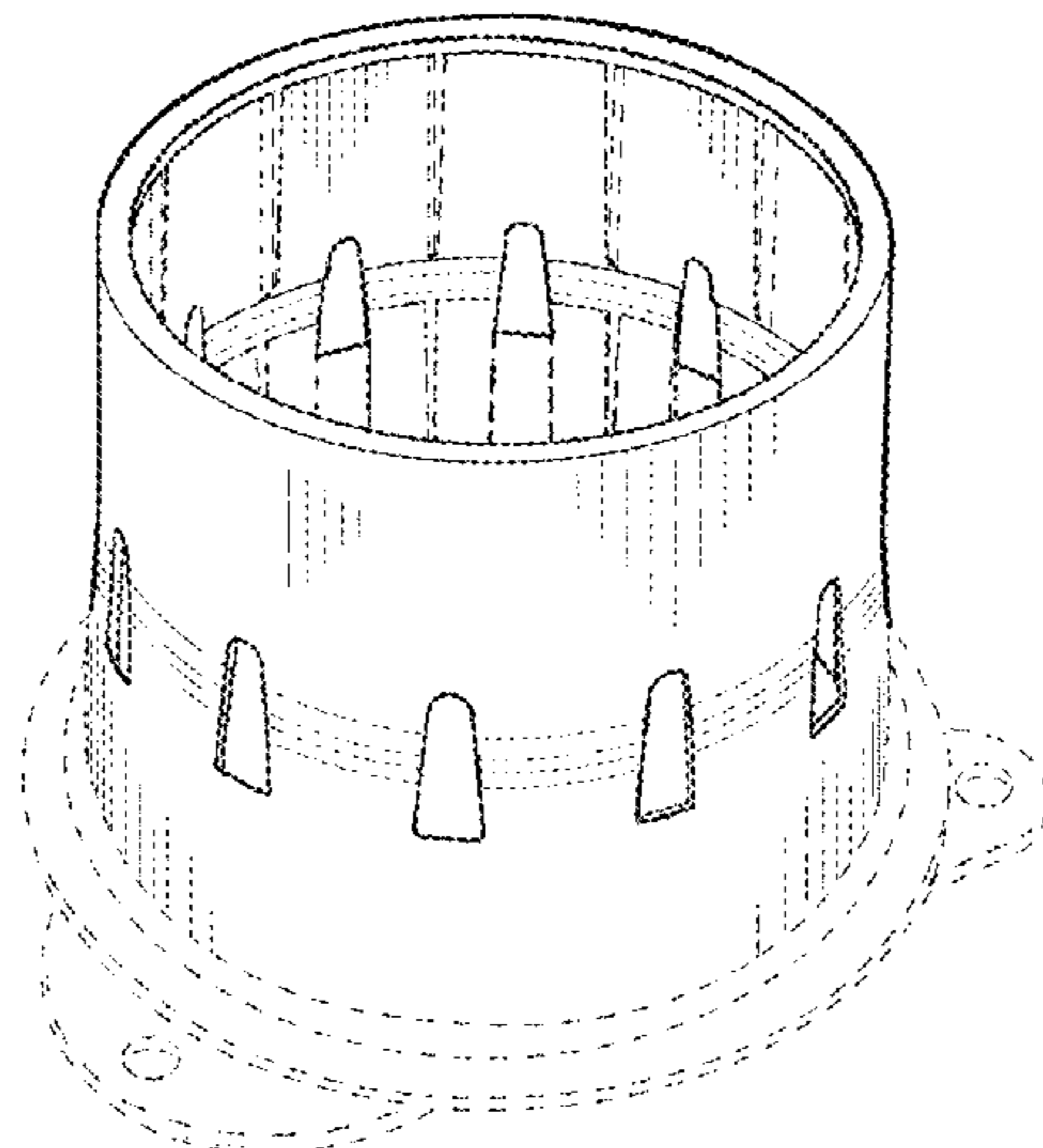
OTHER PUBLICATIONS

Gilbert Rugby Kicking Tee. Date First Available: Mar. 27, 2013. Retrieved from internet: <<https://www.amazon.com/Gilbert-Rugby-Kicking-Tee-Medium/dp/B003GXFPXK>> [site visited Feb. 10, 2022] (Year: 2013).*

(Continued)

Primary Examiner — Katherine Glennon

Assistant Examiner — Yuan Yuan



of the article not shown in the drawings or described in the specification forms no part of the claimed design. As such, the determination of patentability is based on the design for the article shown and described.

1 Claim, 10 Drawing Sheets

(58) **Field of Classification Search**

USPC D21/721, 385, 364, 344, 304, 839, 788, D21/712, 318

CPC . A63B 57/0012; A63B 57/0037; A63B 57/10; A63B 57/12; A63B 57/13; A63B 57/15; A63B 57/18; A63B 57/19; A63B 69/0075; A63B 69/0091; A63B 2210/50; A63B 2243/0025; A63B 69/00; A63B 69/002; A63B 69/0073; A63B 2225/093; A63B 47/00

See application file for complete search history.

(56) **References Cited**

U.S. PATENT DOCUMENTS

1,604,390 A * 10/1926 Coker A63B 57/10
D21/717
1,614,499 A * 1/1927 Stirton A63B 57/10
206/820

1,635,376 A * 7/1927 McIlvaine A63B 57/10
473/388
1,738,596 A * 12/1929 McLeod A63B 57/15
473/391
2,739,812 A * 3/1956 Daniels A63B 57/10
473/394
D228,328 S * 9/1973 Schley D7/511
D271,035 S * 10/1983 Pomeranke D11/152
5,037,113 A * 8/1991 Sowards A63B 69/0091
473/423
D339,392 S * 9/1993 Sims D21/715
5,951,414 A * 9/1999 Sowards A63B 69/0091
473/423
D533,241 S * 12/2006 Calhoon D21/717
D539,055 S * 3/2007 Kershaw D11/131
D740,898 S * 10/2015 Westrom D21/717
D772,359 S * 11/2016 Westrom D21/717
D778,379 S * 2/2017 Westrom D21/717
D873,347 S * 1/2020 Mauro D21/302
D917,637 S * 4/2021 Morales D21/698
2004/0097304 A1 * 5/2004 Sharp A63B 69/0075
473/420
2017/0266528 A1 * 9/2017 Westrom A63B 69/0075

OTHER PUBLICATIONS

Dan Carter Supertee Volc Rugby League Union Kicking Tee. Date First Available: May 26, 2015. Retrieved from internet: < <https://www.amazon.com/Carta-Sport-Carter-Supertee-Kicking/dp/B00LK11GIS> > [site visited Feb. 22, 2022] (Year: 2015).*

* cited by examiner

Fig. 1

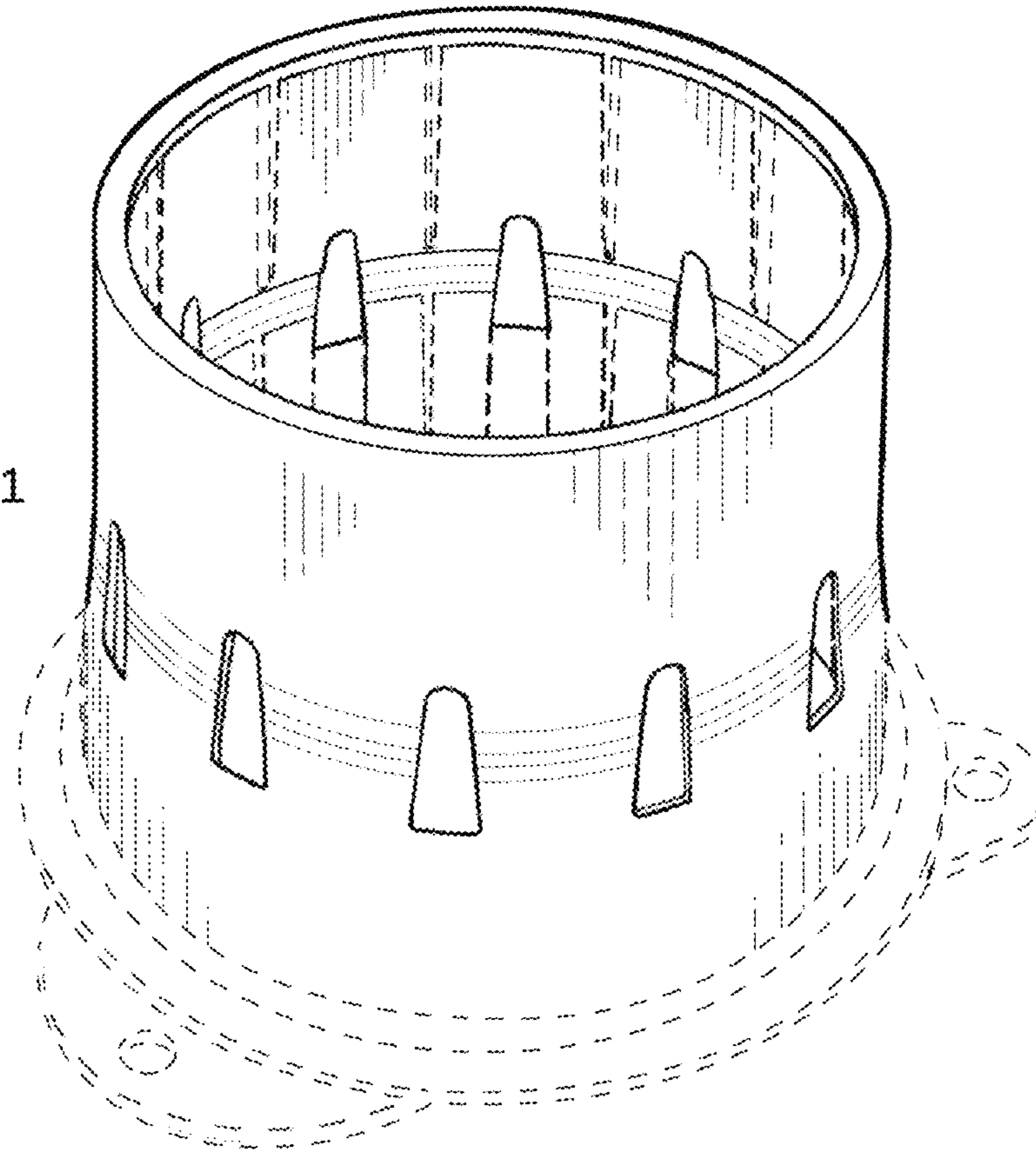


Fig. 2

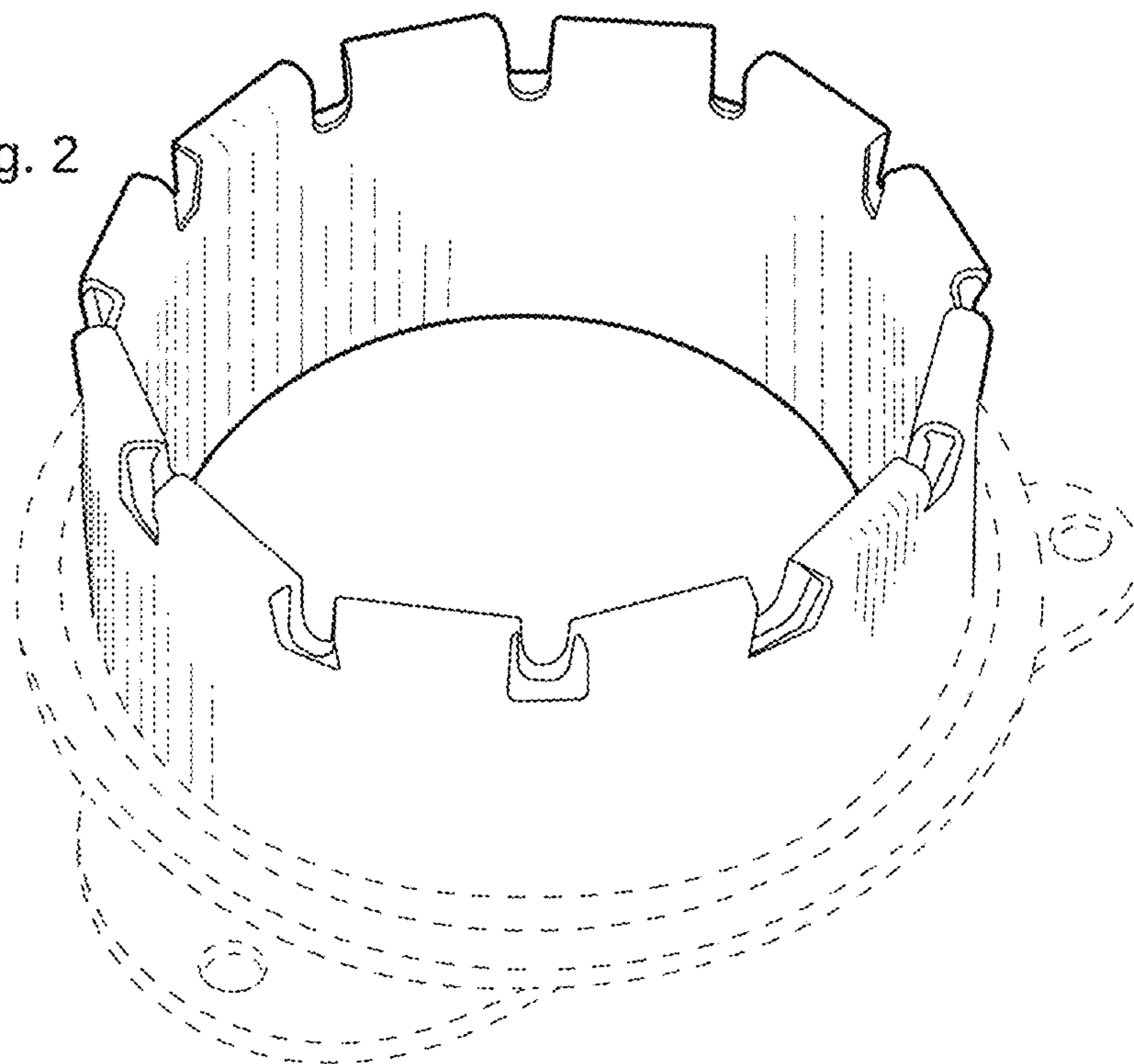


Fig. 3

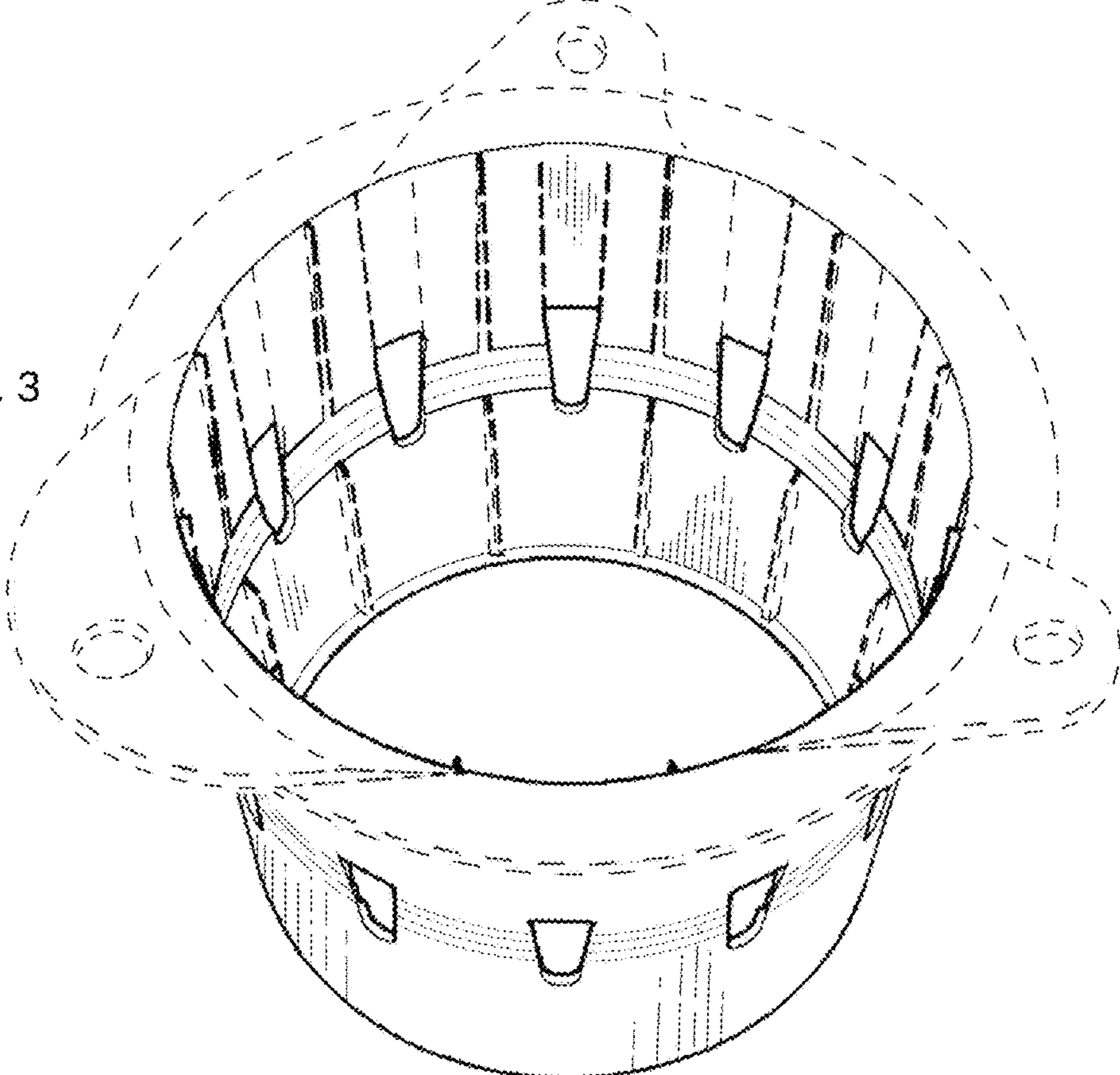
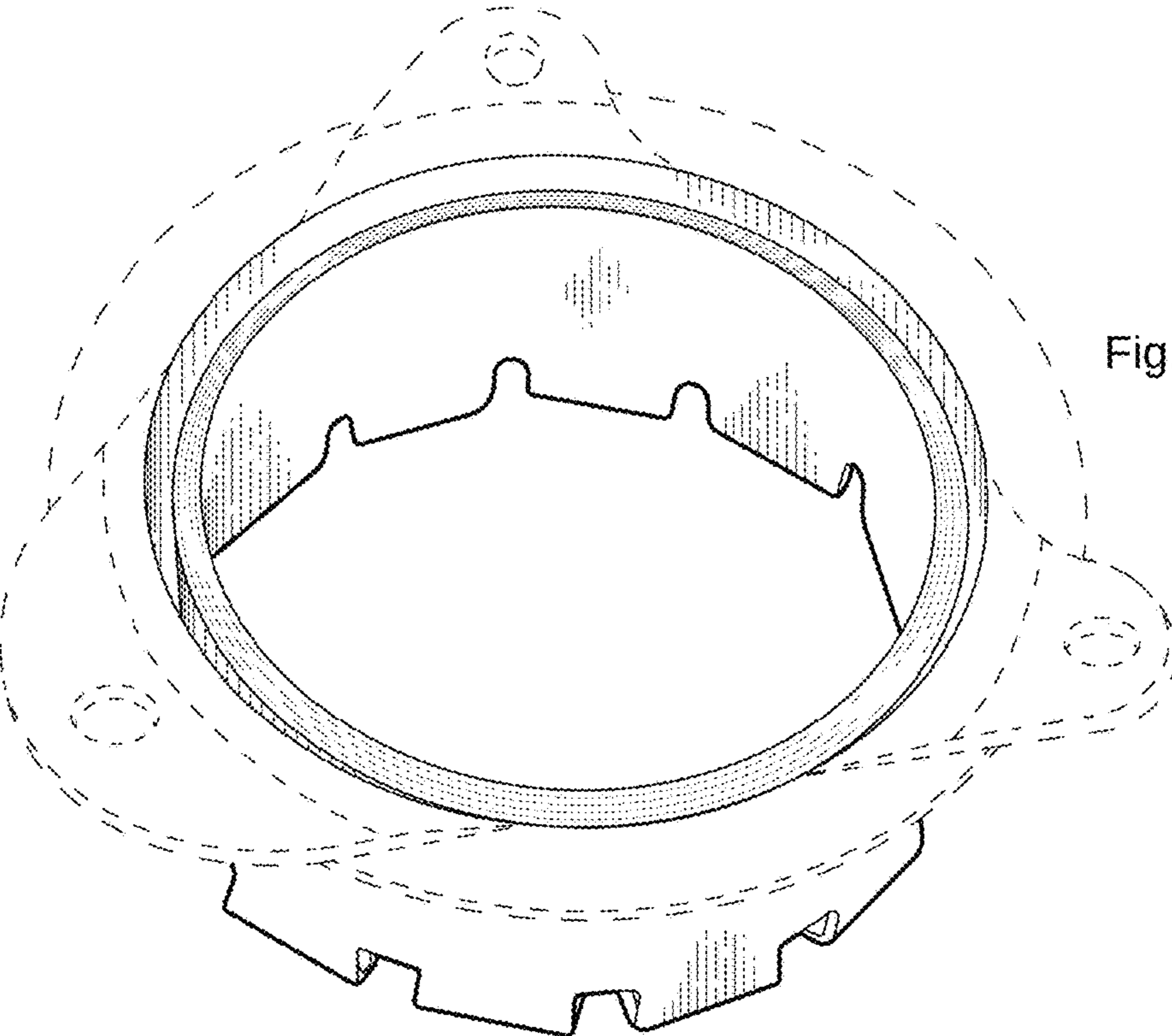


Fig. 4



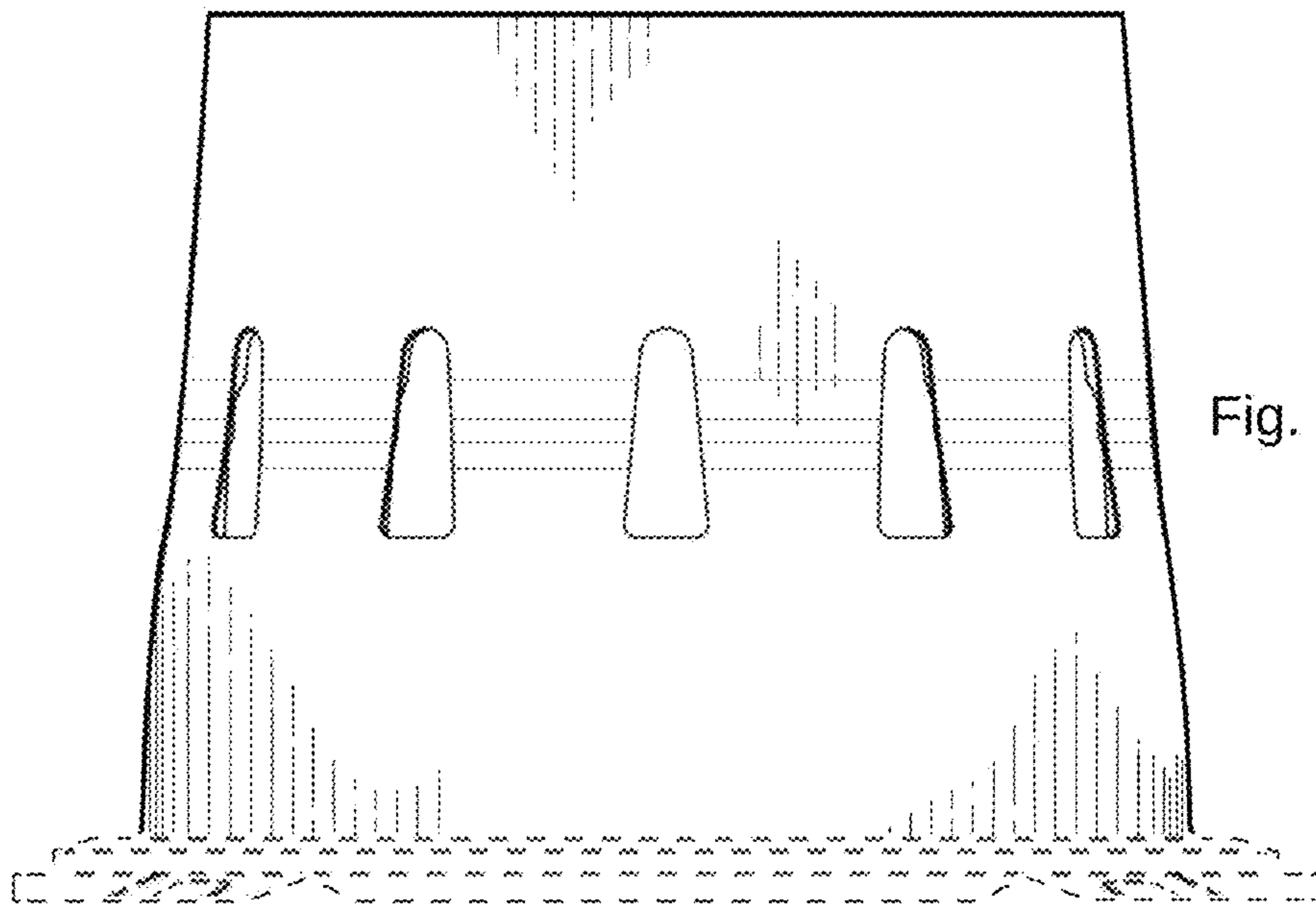


Fig. 5

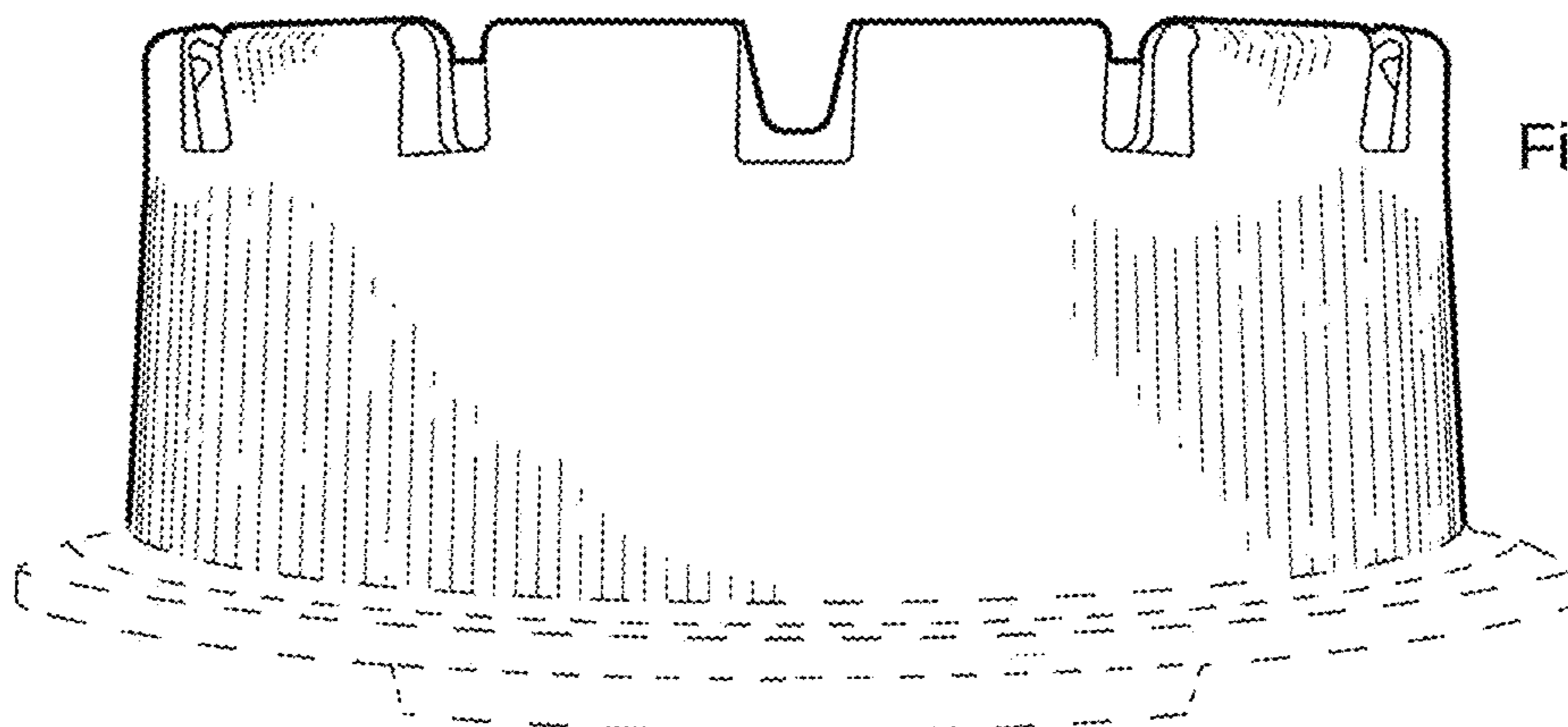


Fig. 6

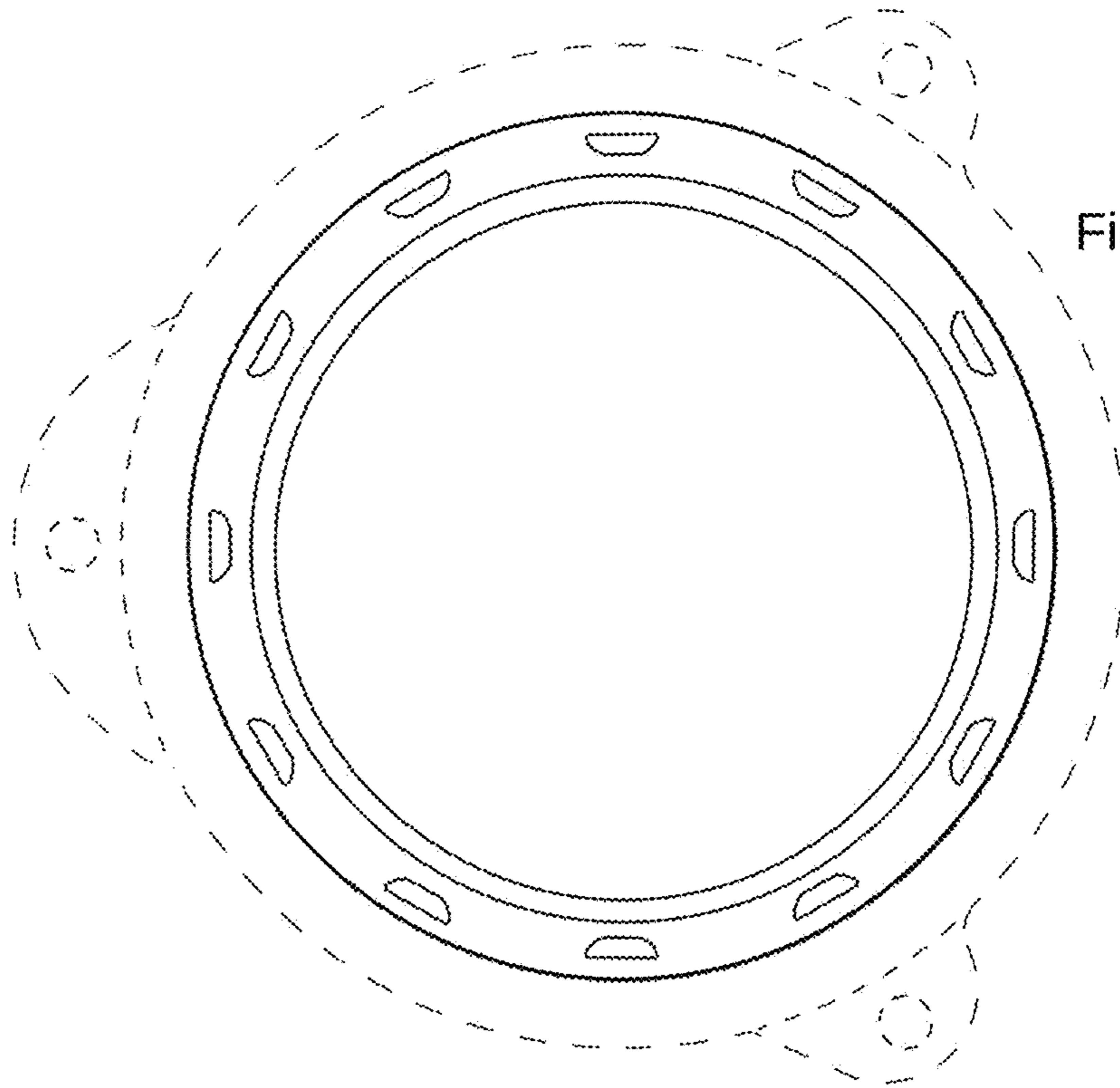


Fig. 7

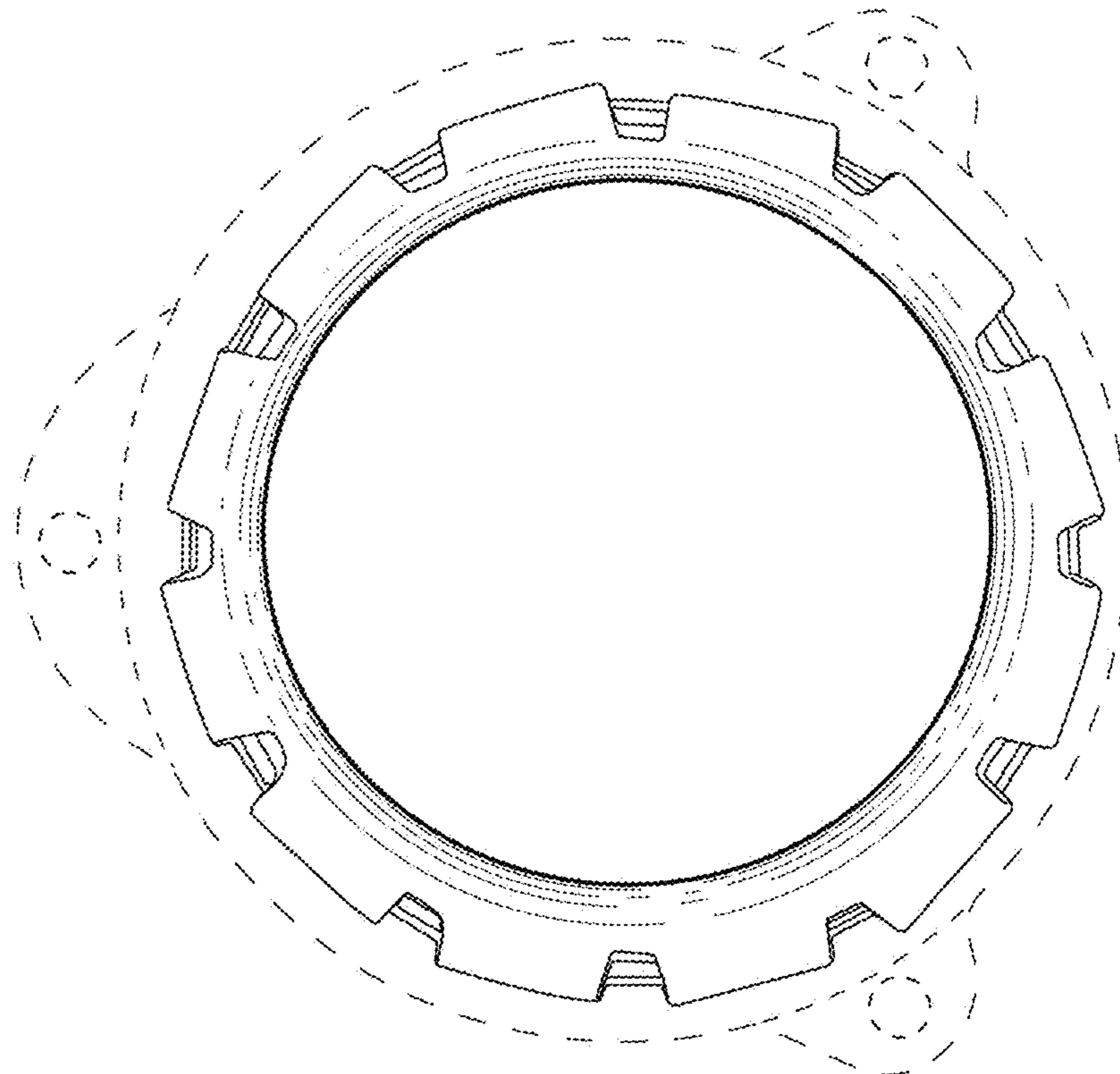


Fig. 8

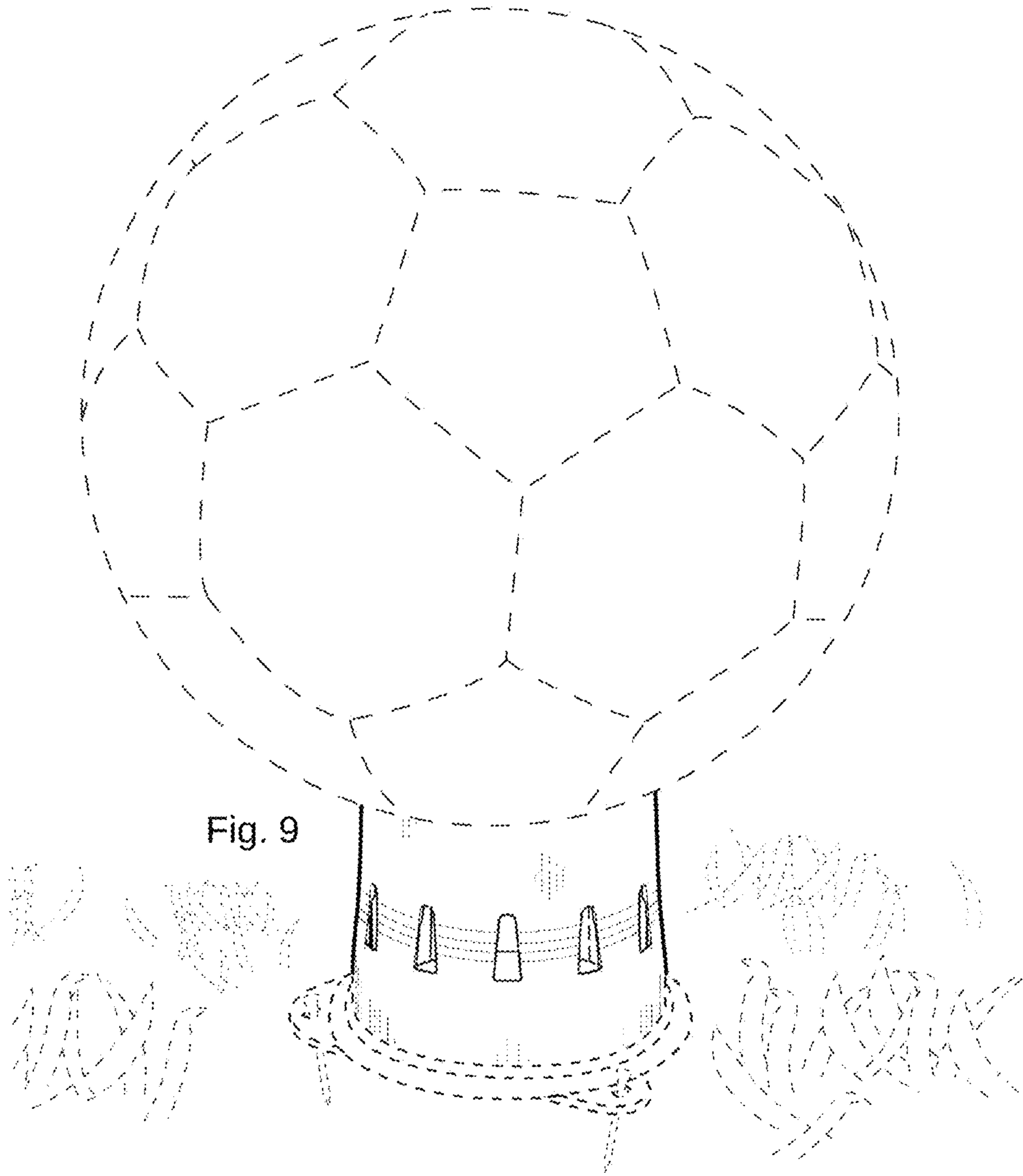
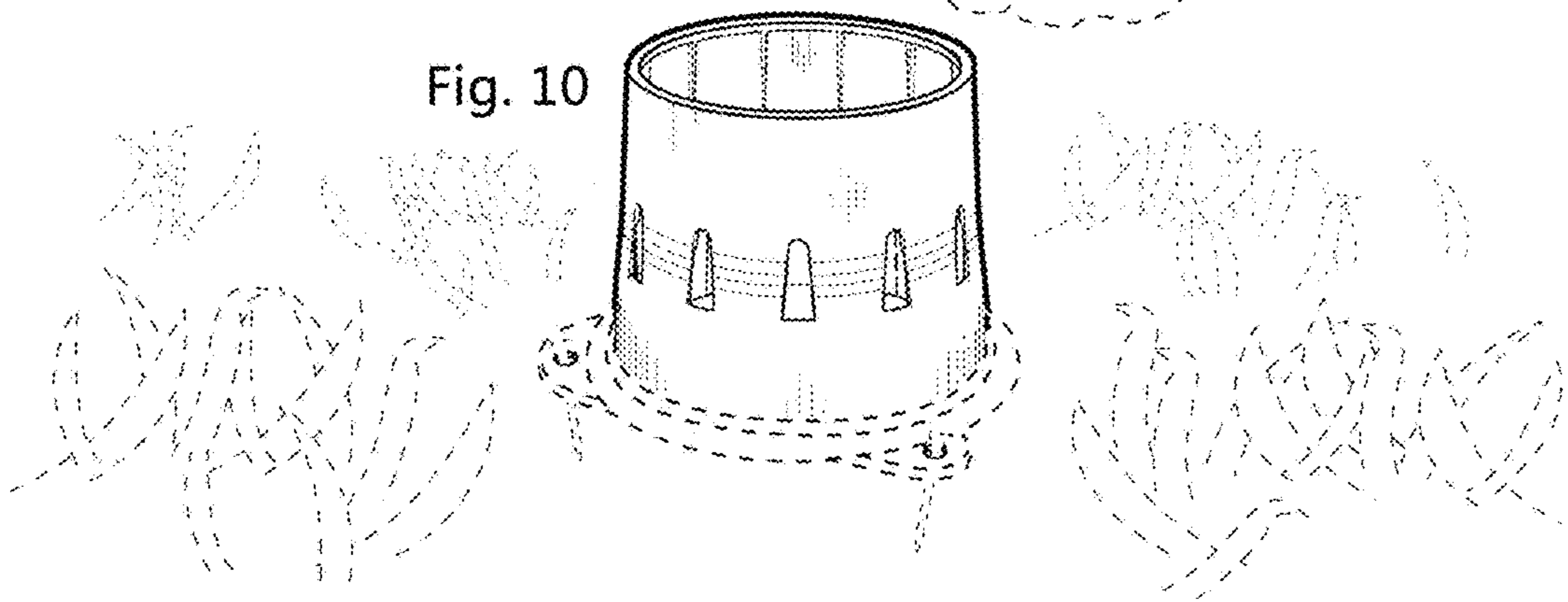
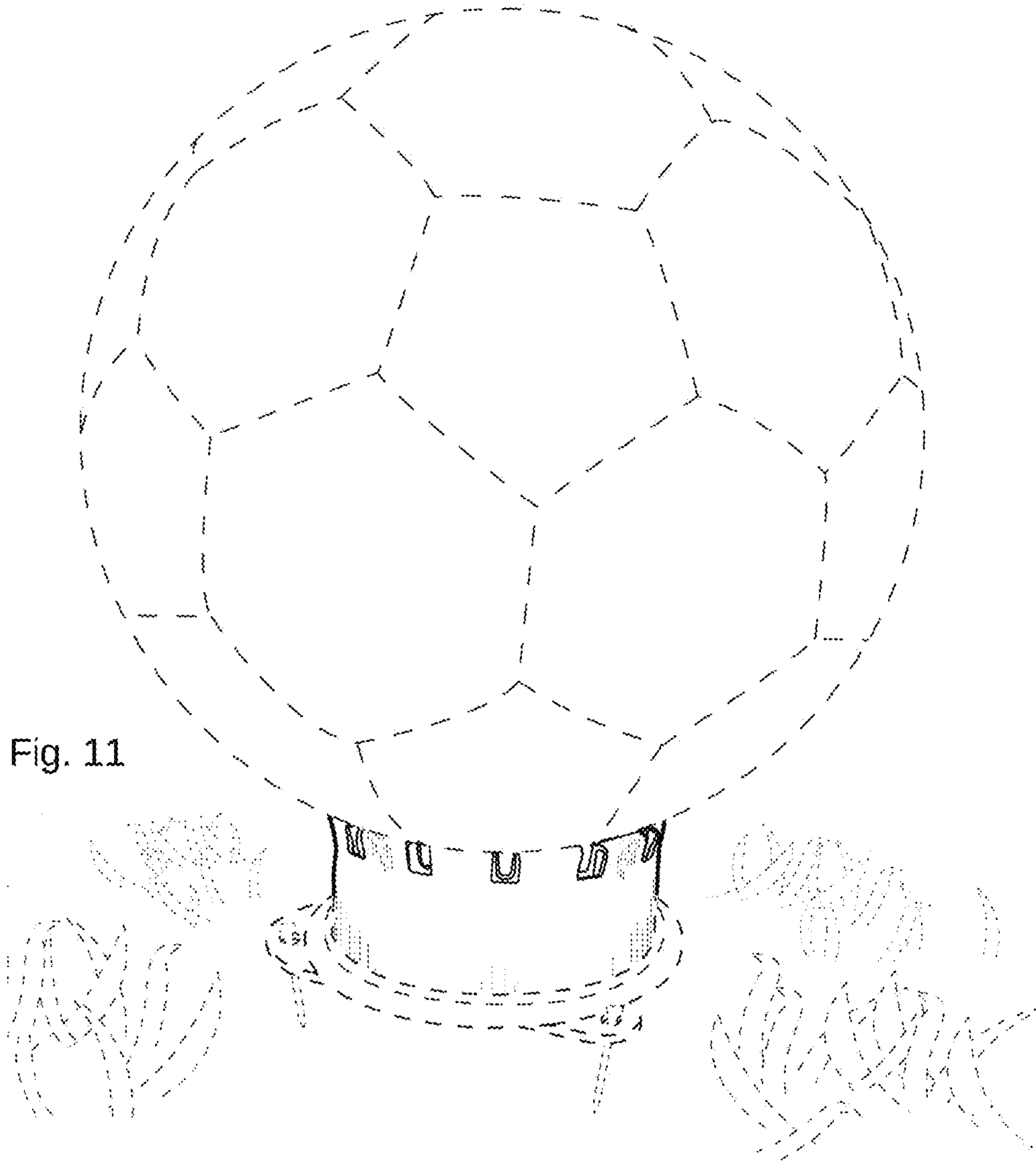




Fig. 10





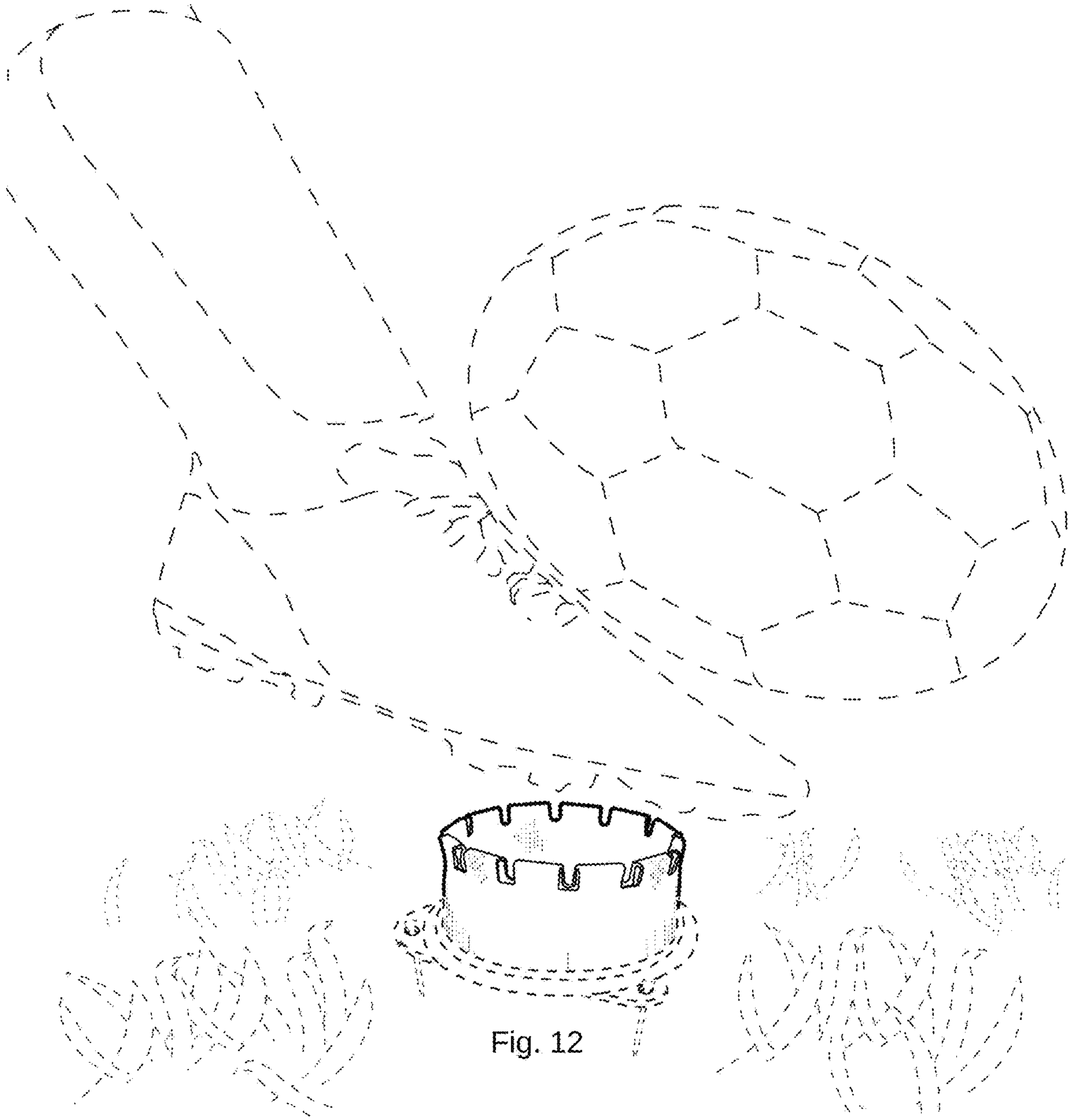


Fig. 12

Fig. 13

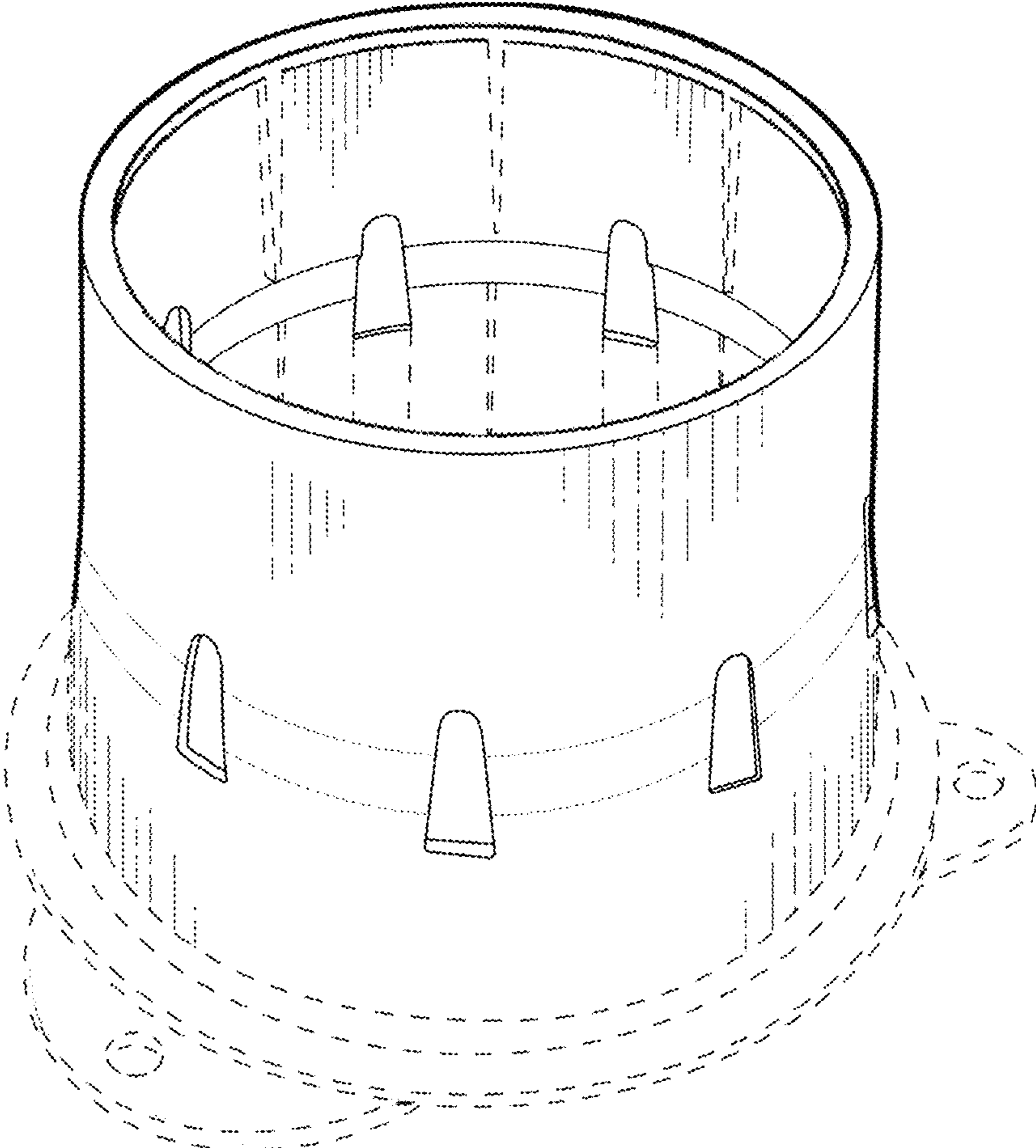
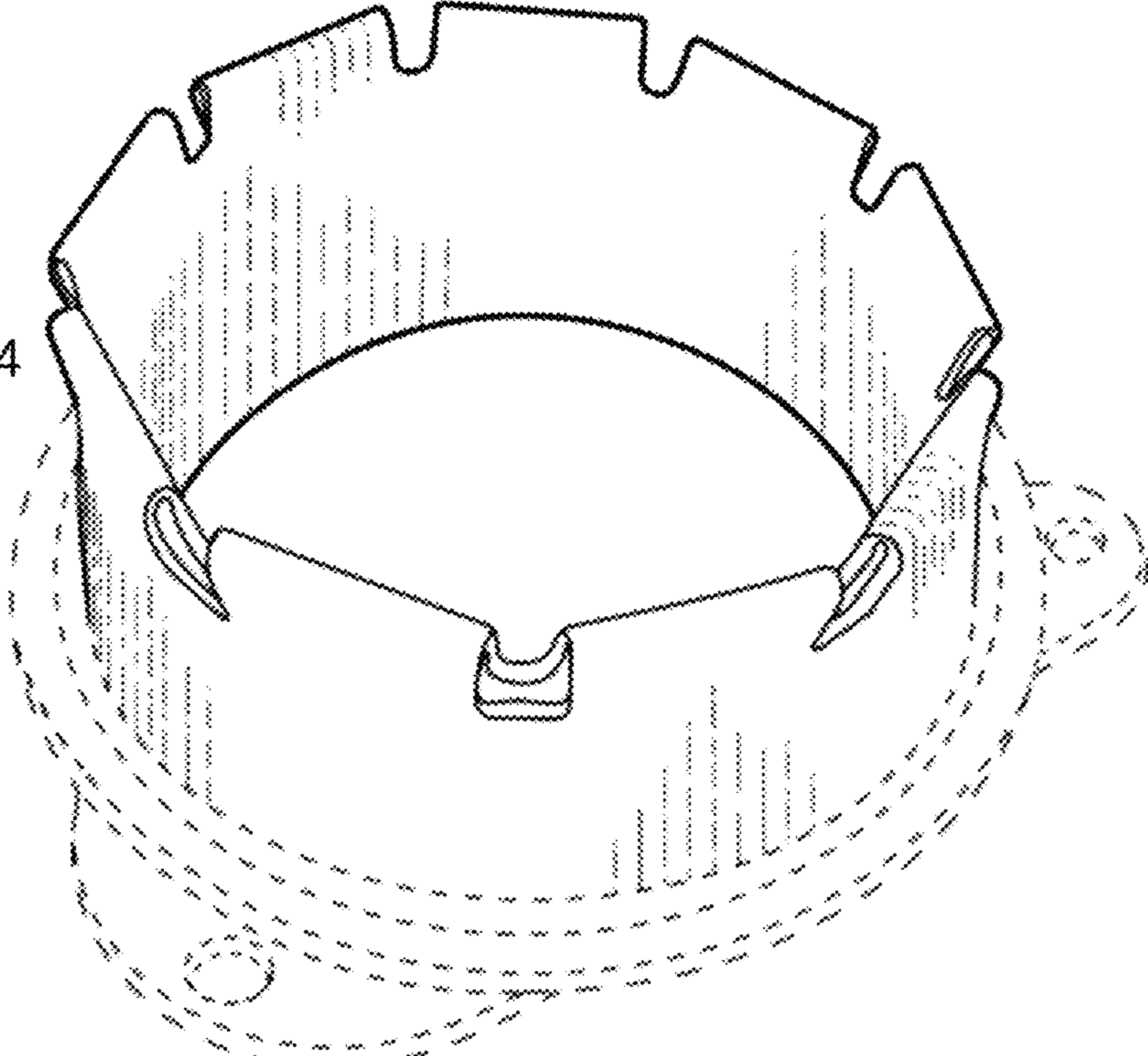


Fig. 14



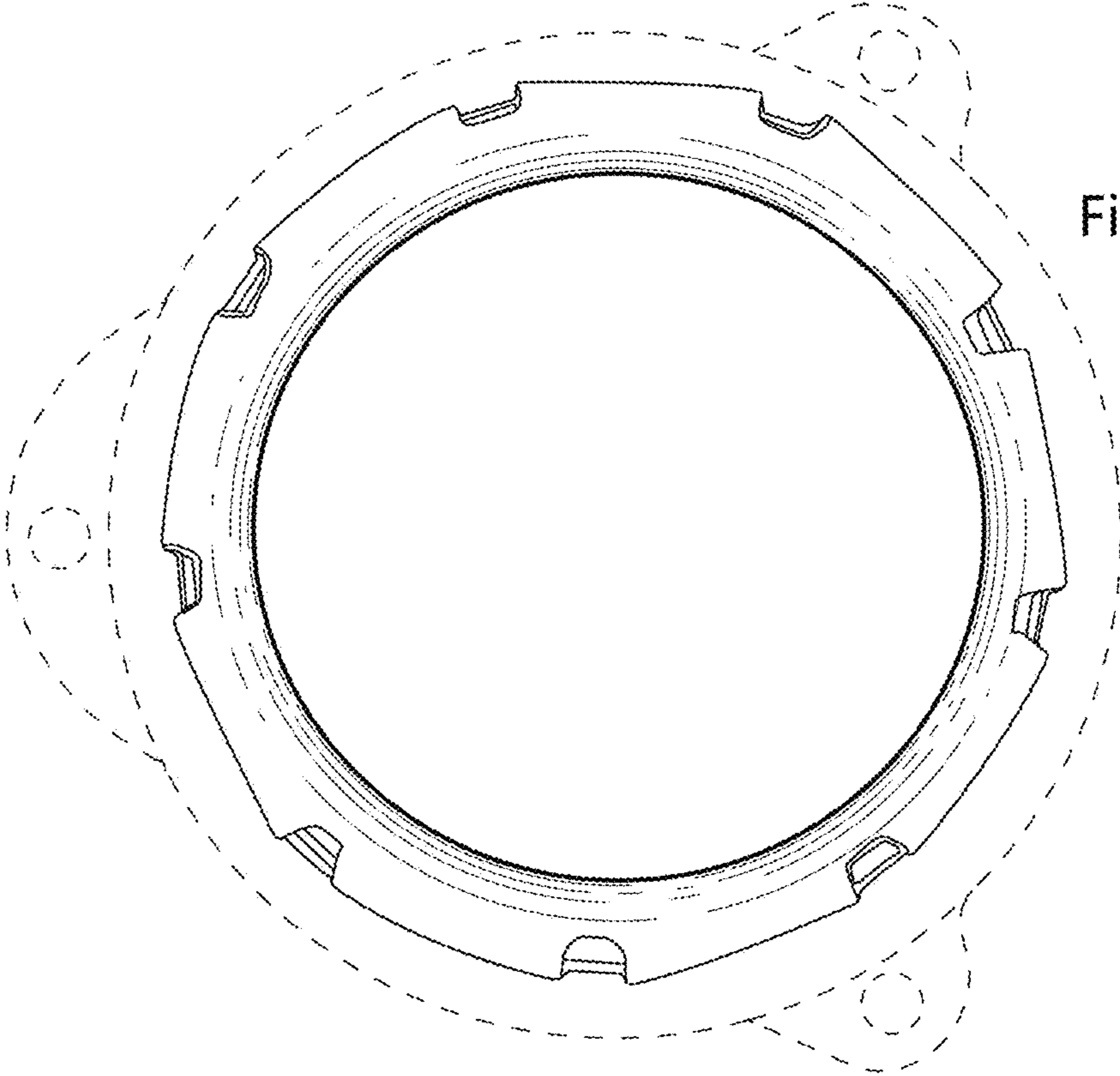


Fig. 15