



US00D966444S

(12) **United States Design Patent** (10) **Patent No.:** **US D966,444 S**
Van Willigen et al. (45) **Date of Patent:** **** Oct. 11, 2022**

(54) **HAND GRIP EXERCISER**
(71) Applicants: **Daniel Van Willigen**, Yonkers, NY
(US); **Tori Hart**, Brooklyn, NY (US)
(72) Inventors: **Daniel Van Willigen**, Yonkers, NY
(US); **Tori Hart**, Brooklyn, NY (US)
(73) Assignee: **EVERLAST WORLDWIDE, INC.**,
New York, NY (US)

10,143,886 B2 12/2018 Carpinelli
10,188,904 B2 1/2019 Tam
10,220,283 B2 3/2019 Rosberger
10,388,180 B1 8/2019 Dayan
10,449,406 B2 10/2019 Alnajjar
(Continued)

(**) Term: **15 Years**

(21) Appl. No.: **29/749,464**

(22) Filed: **Sep. 4, 2020**

(51) **LOC (13) Cl.** **21-02**

(52) **U.S. Cl.**
USPC **D21/684**

(58) **Field of Classification Search**
USPC D21/684, 682, 662, 694; D8/72, 75, 40,
D8/77
CPC A63B 23/16
See application file for complete search history.

(56) **References Cited**

U.S. PATENT DOCUMENTS

4,753,434 A 6/1988 Salvino
D460,505 S * 7/2002 Yang D21/684
6,786,849 B1 * 9/2004 Faulconer A63B 21/0004
482/121
D505,169 S * 5/2005 Kuo D21/684
D521,086 S * 5/2006 Faulconer D21/684
7,824,311 B1 11/2010 Hsu
8,915,824 B2 12/2014 Roberts
8,926,477 B2 1/2015 Lynn
8,944,942 B2 2/2015 Oraecz
9,028,378 B2 5/2015 Shah
9,352,183 B2 5/2016 Quinn
9,415,262 B2 8/2016 An
9,474,931 B2 10/2016 Alldredge
9,694,237 B2 7/2017 Palmenco-Geller
9,700,749 B2 7/2017 Carpinelli

FOREIGN PATENT DOCUMENTS

CN 208003368 U 10/2018
CN 209237267 U 8/2019
(Continued)

OTHER PUBLICATIONS

Mummyfit store, announced 2015[online], [site visited Jan. 10, 2022]. Available on internet, URL:https://www.amazon.com/MummyFit-Strengthener-Adjustable-Exerciser-Exercisers/dp/B00VIGEQXC/ref (Year: 2015).*

(Continued)

Primary Examiner — Khawaja Anwar
Assistant Examiner — Julice Seung Eun Oum
(74) *Attorney, Agent, or Firm* — Howard M. Gitten, Esq.;
Lewis Brisbois Bisgaard & Smith LLP

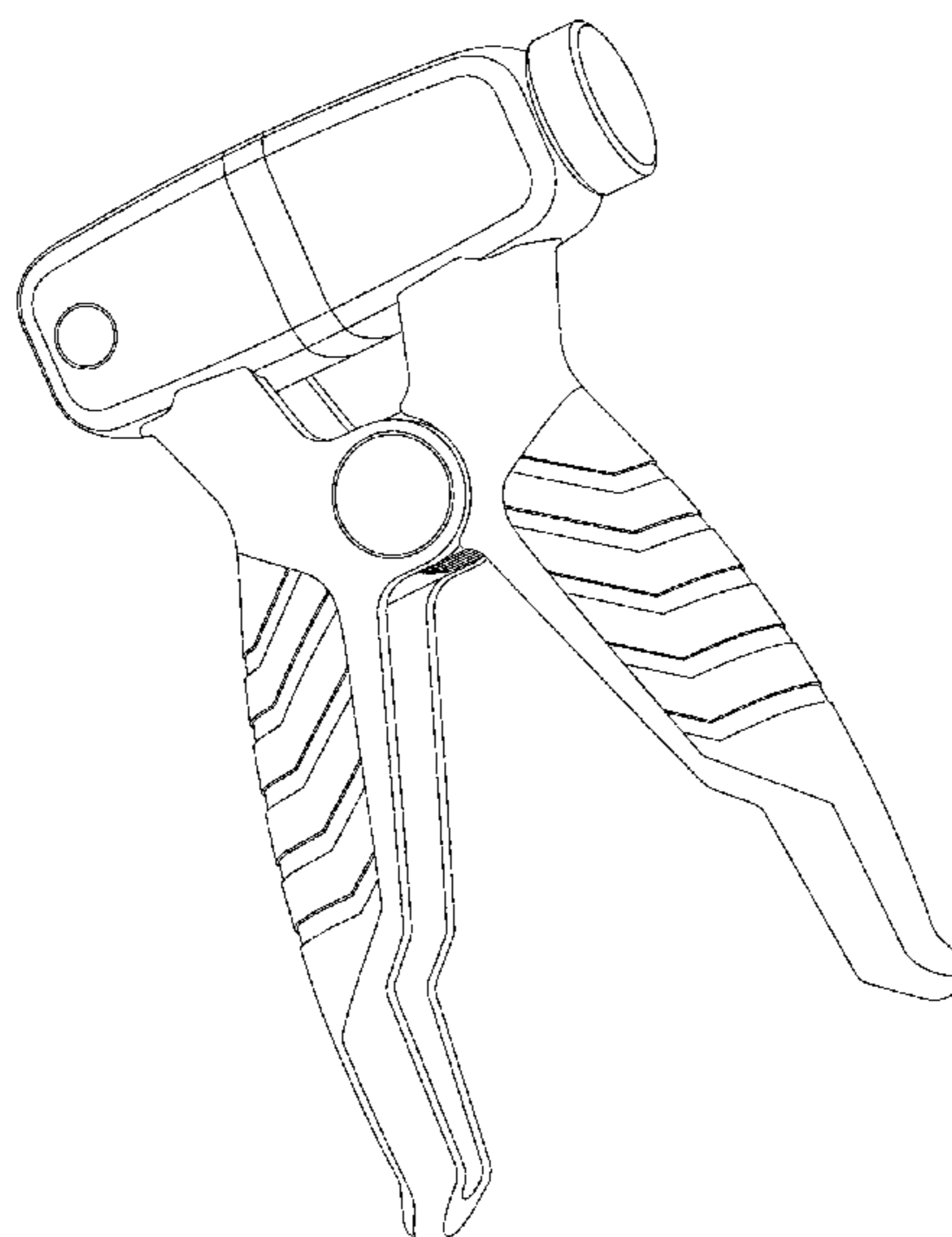
(57) **CLAIM**

The ornamental design of a hand grip exerciser, as shown and described.

DESCRIPTION

FIG. 1 is a front right side perspective view of the hand grip exerciser showing a new design;
FIG. 2 is a right side elevational view thereof;
FIG. 3 is a left side elevational view thereof;
FIG. 4 is a rear elevational view thereof;
FIG. 5 is a front elevational view thereof; and,
FIG. 6 is a top plan view thereof.
No claim is made to the structure shown in dashed line.

1 Claim, 5 Drawing Sheets



(56)

References Cited

U.S. PATENT DOCUMENTS

| | | | | |
|--------------|------|---------|----------|---------------------|
| 10,672,291 | B2 | 6/2020 | Raimondi | |
| 10,688,340 | B1 | 6/2020 | Aldredge | |
| 10,821,317 | B2 | 11/2020 | Ellis | |
| 10,881,902 | B2 | 1/2021 | Shiao | |
| 10,898,749 | B2 | 1/2021 | Ju | |
| 10,974,098 | B2 | 4/2021 | Zerbo | |
| 10,981,027 | B2 | 4/2021 | Reda | |
| 11,052,283 | B2 | 7/2021 | An | |
| 2004/0003687 | A1 | 1/2004 | An | |
| 2016/0235613 | A1 | 8/2016 | Waldman | |
| 2018/0169458 | A1 * | 6/2018 | Hao | A63B 21/00065 |
| 2019/0255383 | A1 | 8/2019 | An | |

FOREIGN PATENT DOCUMENTS

| | | | |
|----|-----------|----|---------|
| CN | 209933979 | U | 1/2020 |
| CN | 211357625 | U | 8/2020 |
| KR | 101999851 | B1 | 10/2019 |

OTHER PUBLICATIONS

Irwin store, announced 2015[online], [site visited Jan. 10, 2022]. Available on internet, URL:<https://www.amazon.com/Irwin-Tools-1968337-VISE-GRIP-Plier/dp/B0711KXZVY/ref> (Year: 2017).* Search Report prepared in application GB2019385.0 dated May 10, 2021.

* cited by examiner

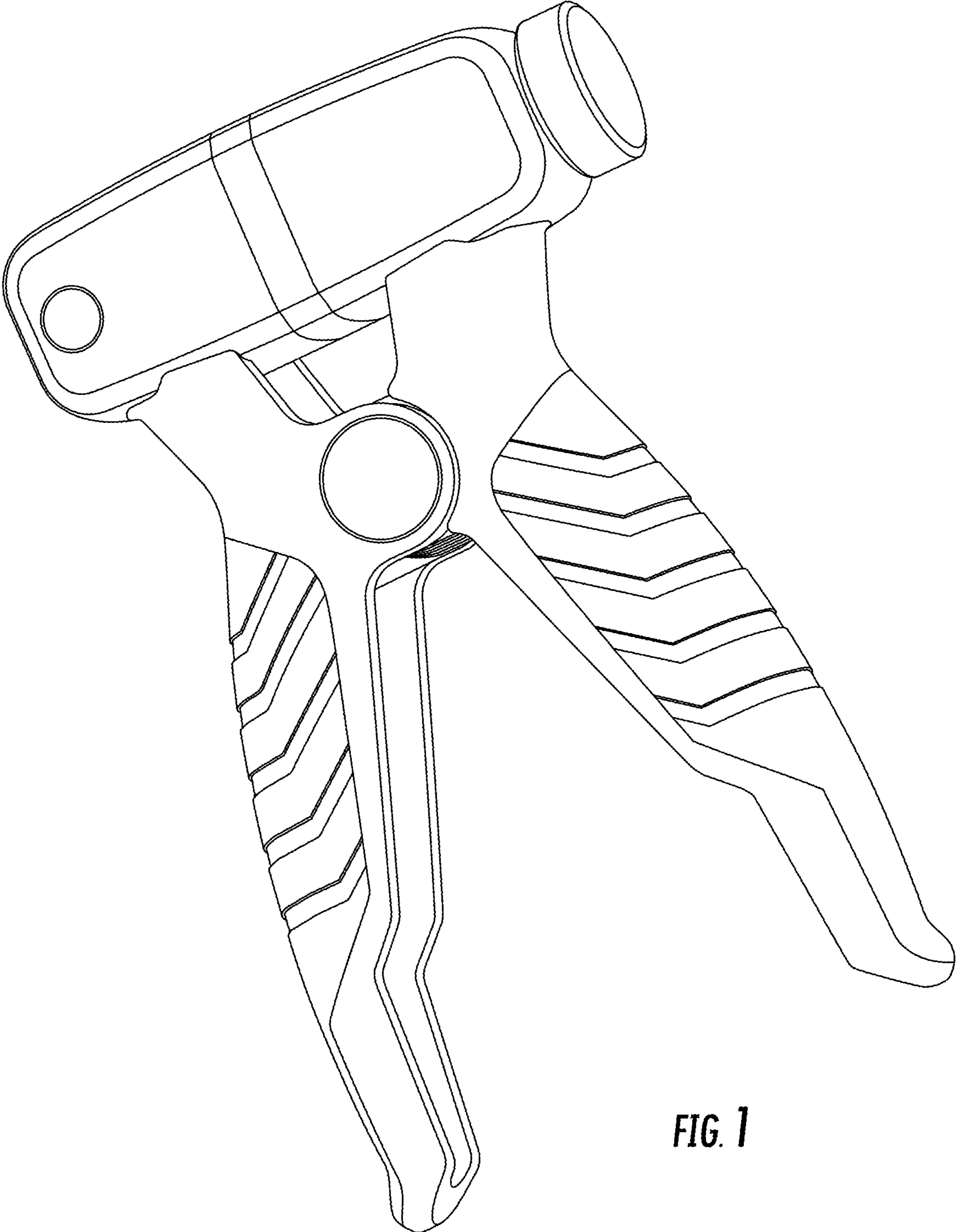


FIG. 1

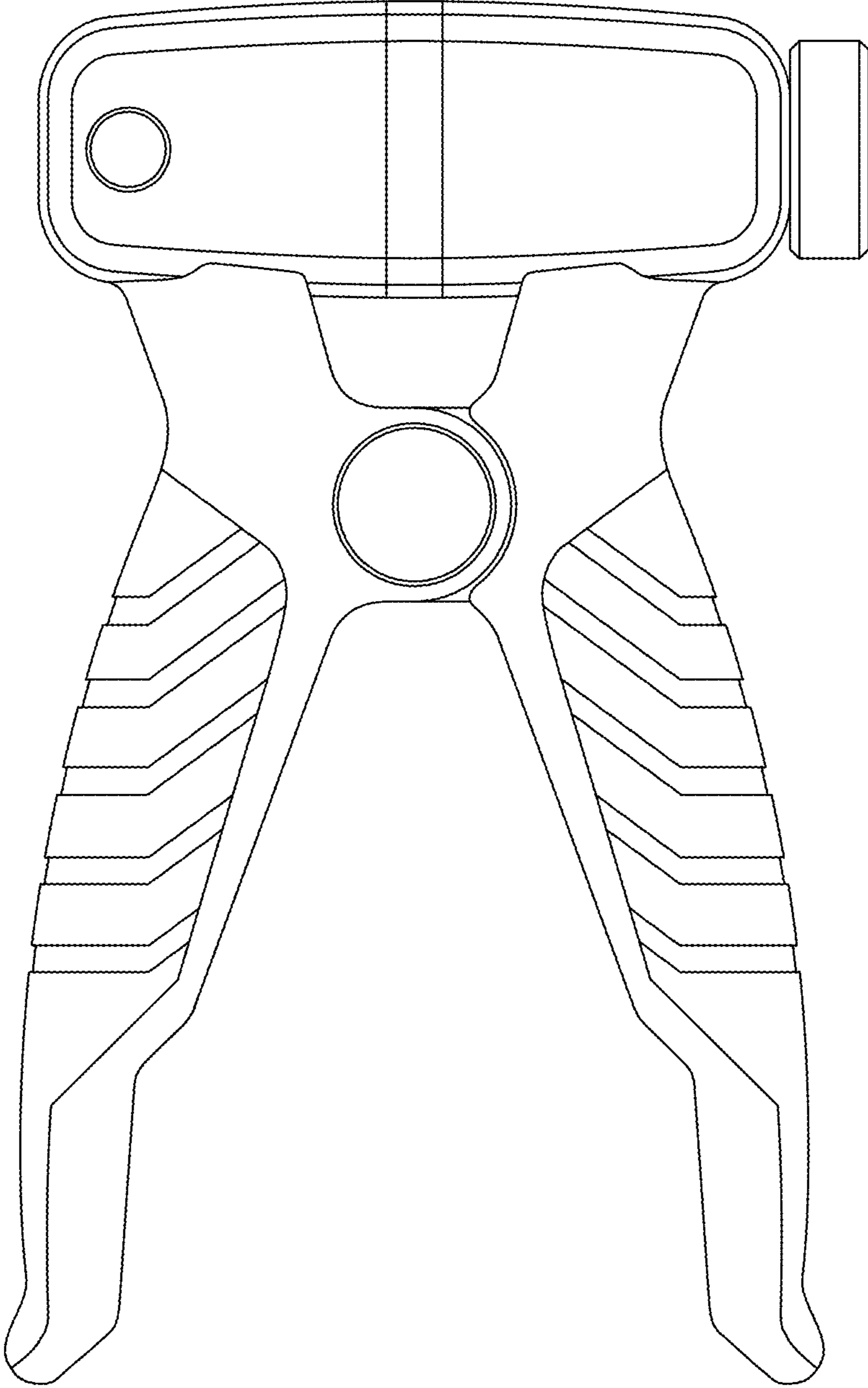


FIG. 2

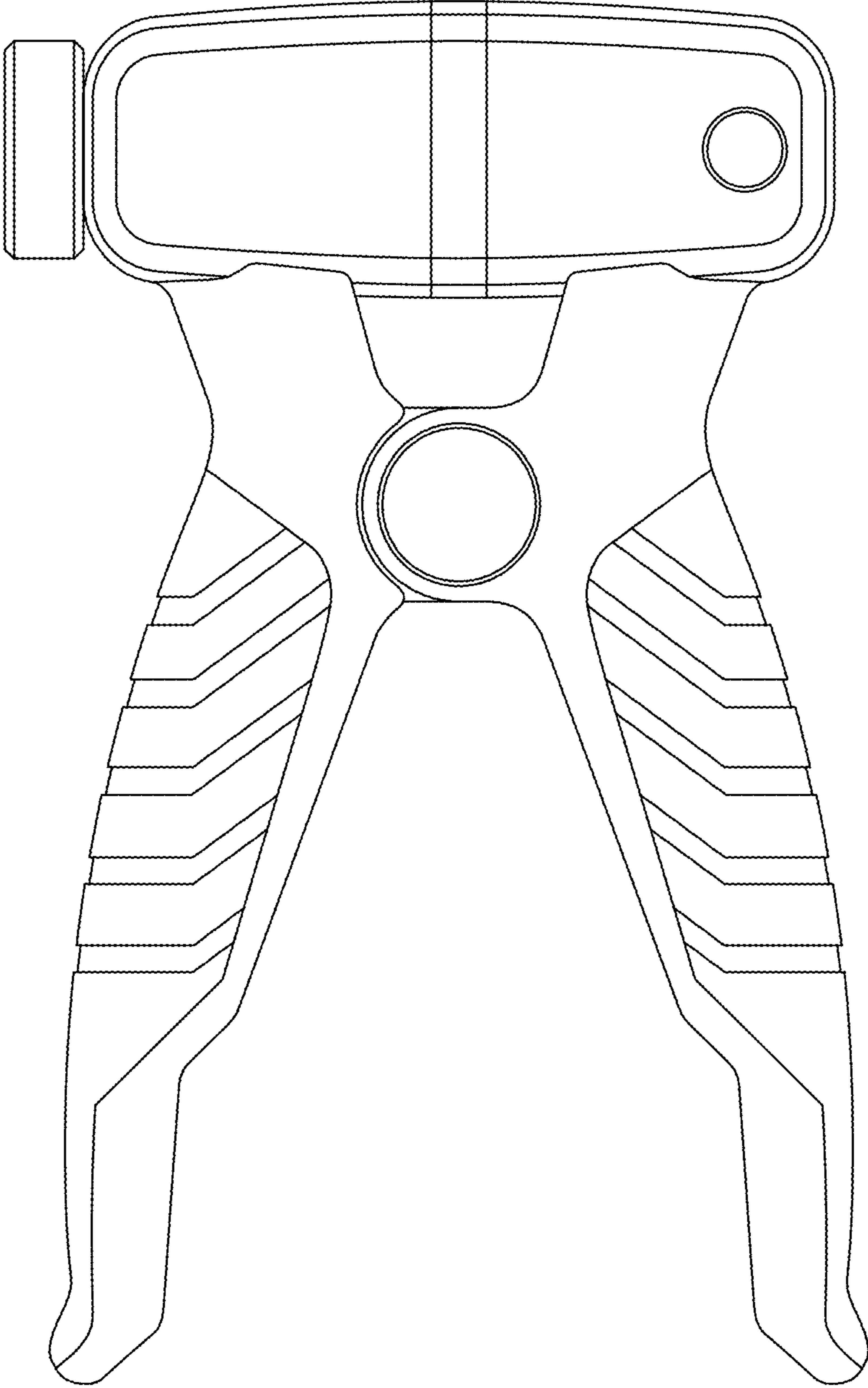


FIG. 3

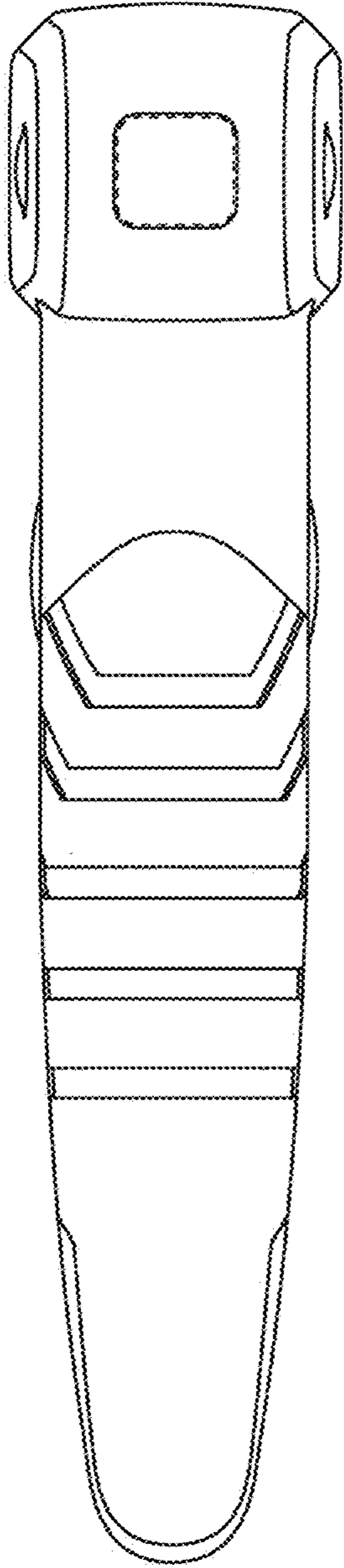


FIG. 4

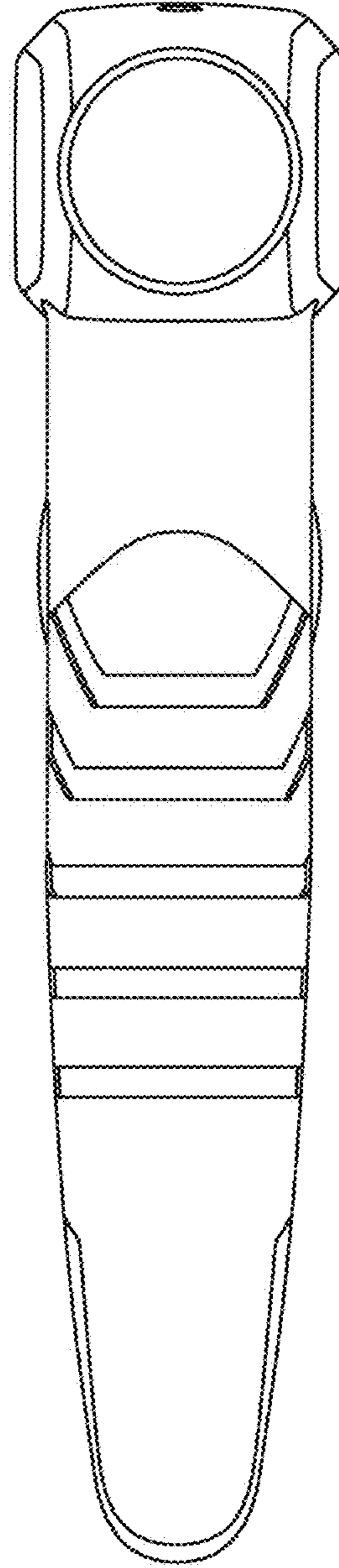


FIG. 5

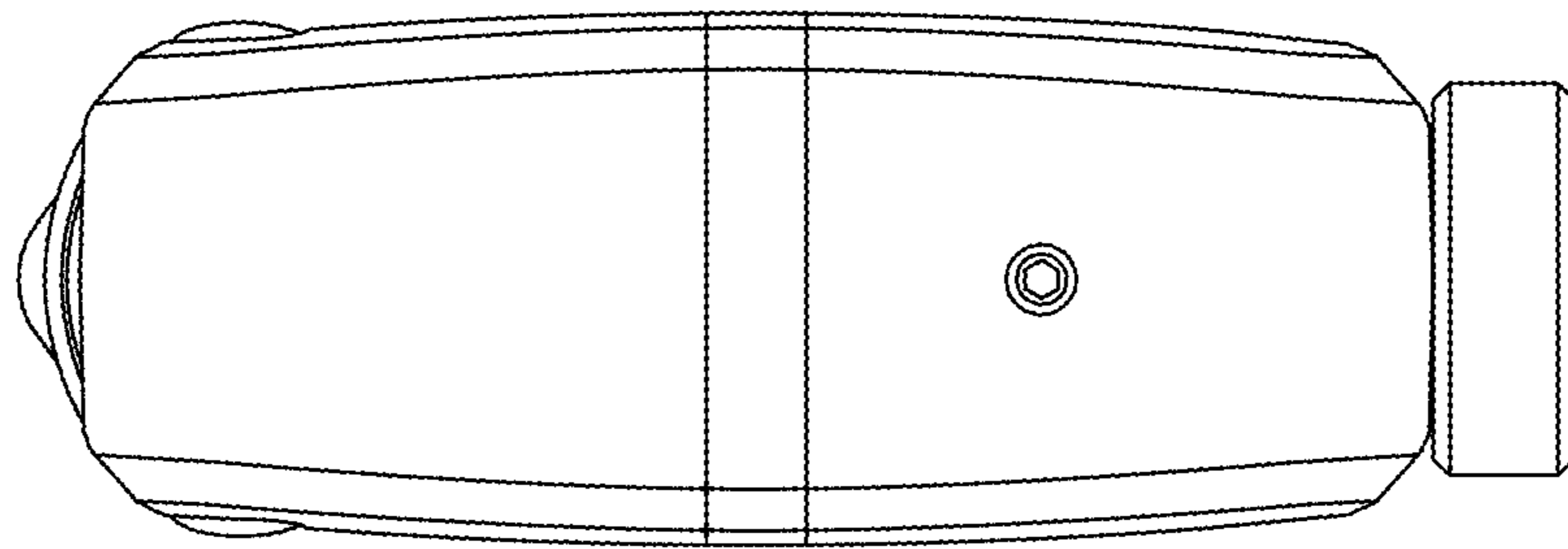


FIG. 6