

US00D966443S

(12) **United States Design Patent**
Weng

(10) **Patent No.:** **US D966,443 S**
(45) **Date of Patent:** **** Oct. 11, 2022**

- (54) **PAIR OF DUMBBELLS WITH RACK**
- (71) Applicant: **ZHEJIANG QILI HEALTH TECHNOLOGY LTD.**, Jinhua (CN)
- (72) Inventor: **Gaowang Weng**, Yongkang (CN)
- (73) Assignee: **ZHEJIANG QILI HEALTH TECHNOLOGY LTD.**, Jinhua (CN)

D799,980 S * 10/2017 Michan Chavez D9/600
 11,167,167 B1 * 11/2021 Weng A63B 21/0726
 11,285,354 B1 * 3/2022 Tseng A63B 21/0726
 2020/0330813 A1 * 10/2020 Liu A63B 21/075
 2020/0376320 A1 * 12/2020 Wang A63B 21/0726
 (Continued)

- (**) Term: **15 Years**
- (21) Appl. No.: **29/755,374**
- (22) Filed: **Oct. 20, 2020**

FOREIGN PATENT DOCUMENTS

CN 304118690 * 4/2017

OTHER PUBLICATIONS

AOTOB 25/55 lbs Adjustable Dumbbells, first available Sep. 28, 2021, amazon.com [online], site visited [Mar. 29, 2022]. Available from internet URL:https://amzn.to/3DkFTtx (Year: 2021).*

(Continued)

(30) **Foreign Application Priority Data**

Sep. 15, 2020 (CN) 202030547791.6

- (51) **LOC (13) Cl.** **21-02**
- (52) **U.S. Cl.**
USPC **D21/681**
- (58) **Field of Classification Search**
USPC D6/552; D21/662, 667-682, 685, 686, D21/692, 694
CPC A63B 2220/12; A63B 21/062; A63B 2220/13; A63B 69/3632; A63B 21/075; A63B 21/063; A63B 21/0628; A63B 21/0724
See application file for complete search history.

Primary Examiner — Jack Reickel
Assistant Examiner — Salamah Jordan
 (74) *Attorney, Agent, or Firm* — Dragon Sun Law Firm, PC; Jinggao Li, Esq.; Nathaniel Perkins

(57) **CLAIM**

The ornamental design for a pair of dumbbells with rack, as shown and described.

DESCRIPTION

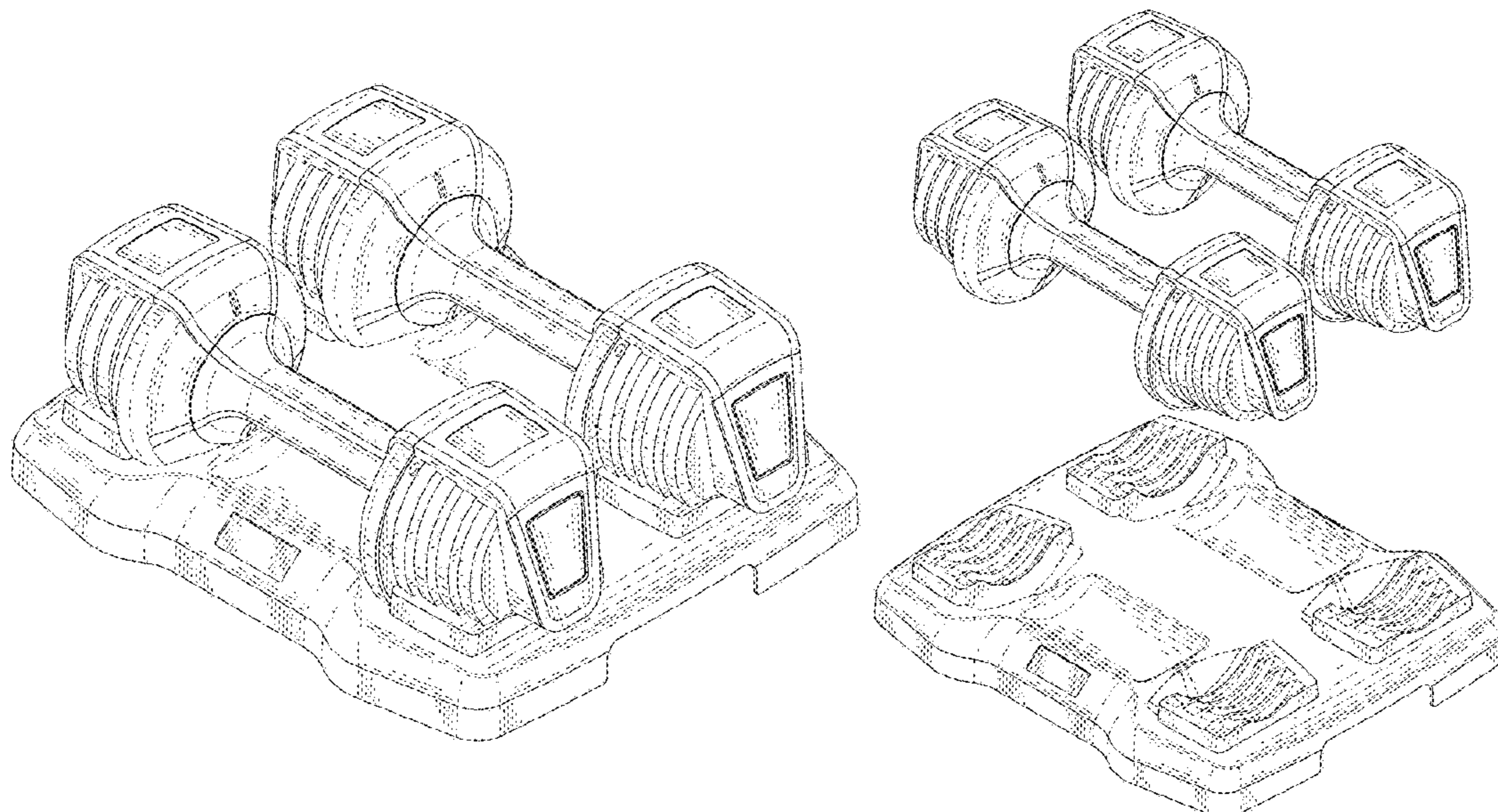
FIG. 1 is a perspective view of a pair of dumbbells with rack showing my new design;
 FIG. 2 is a front view thereof;
 FIG. 3 is a rear view thereof;
 FIG. 4 is a left side view thereof;
 FIG. 5 is a right side view thereof;
 FIG. 6 is a top plan view thereof;
 FIG. 7 is a bottom plan view thereof; and,
 FIG. 8 is an exploded view thereof.
 The dashed or broken lines shown in the drawings depict portions of the pair of dumbbells with rack in which the design is embodied that form no part of the claimed design.

1 Claim, 8 Drawing Sheets

(56) **References Cited**

U.S. PATENT DOCUMENTS

- D528,173 S * 9/2006 Flick D6/552
- D610,636 S * 2/2010 Golesh D21/681
- D639,358 S * 6/2011 Rauwerdink D21/681
- D639,359 S * 6/2011 Rauwerdink D6/552
- D643,481 S * 8/2011 Rauwerdink D21/681
- D737,907 S * 9/2015 Flick D21/681
- D753,247 S * 4/2016 Flick D21/681



(56)

References Cited

U.S. PATENT DOCUMENTS

2022/0047908 A1* 2/2022 Weng A63B 21/0726

OTHER PUBLICATIONS

“Bayou Fitness Adjustable Dumbbell” Jan. 23, 2007, Amazon, site visited Jun. 14, 2022: <https://amzn.to/3tv4oM7> (Year: 2007).*

“ACCPO Adjustable Dumbbells Set” Dec. 9, 2021, Amazon, site visited Jun. 14, 2022: <https://amzn.to/3xMZnAW> (Year: 2021).*

“Bowflex Dumbbell Review” Jul. 23, 2019, Youtube, site visited Jun. 14, 2022: <https://www.youtube.com/watch?v=G82oAaiWQII> (Year: 2019).*

* cited by examiner

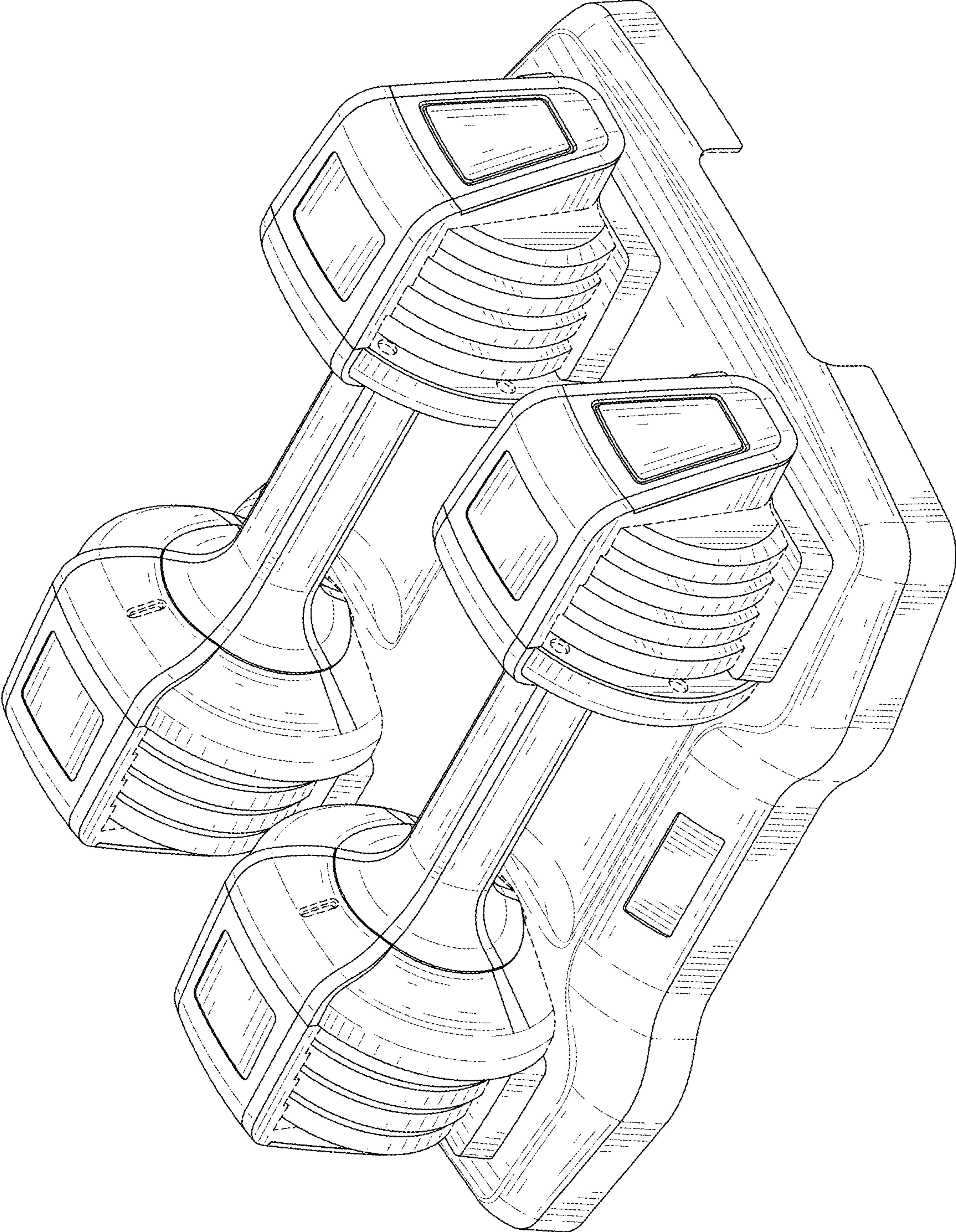


FIG. 1

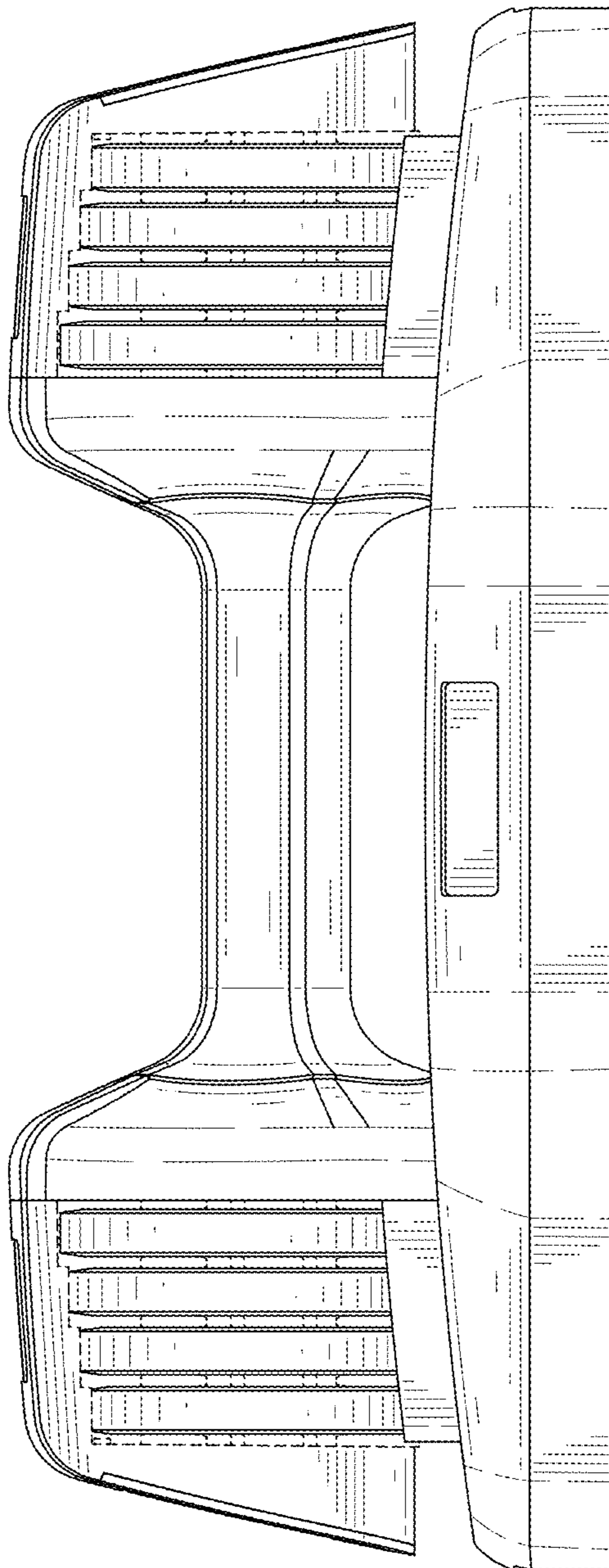


FIG. 2

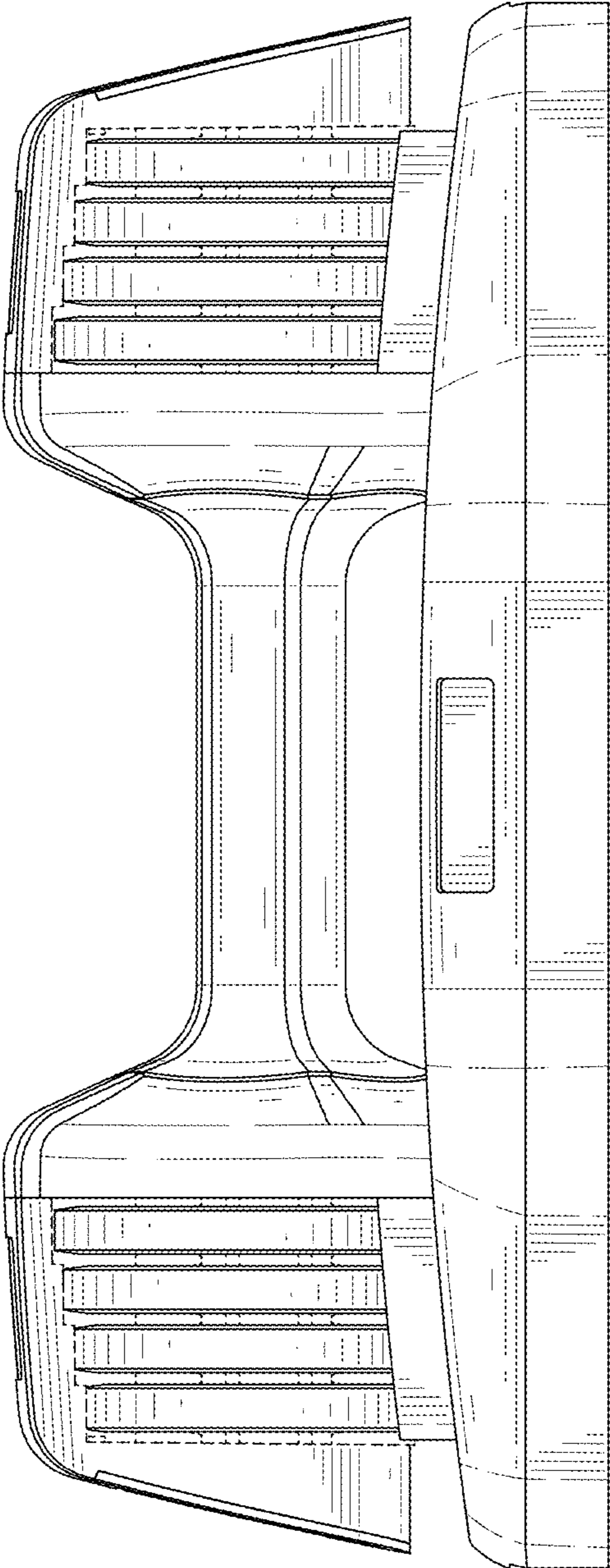


FIG. 3

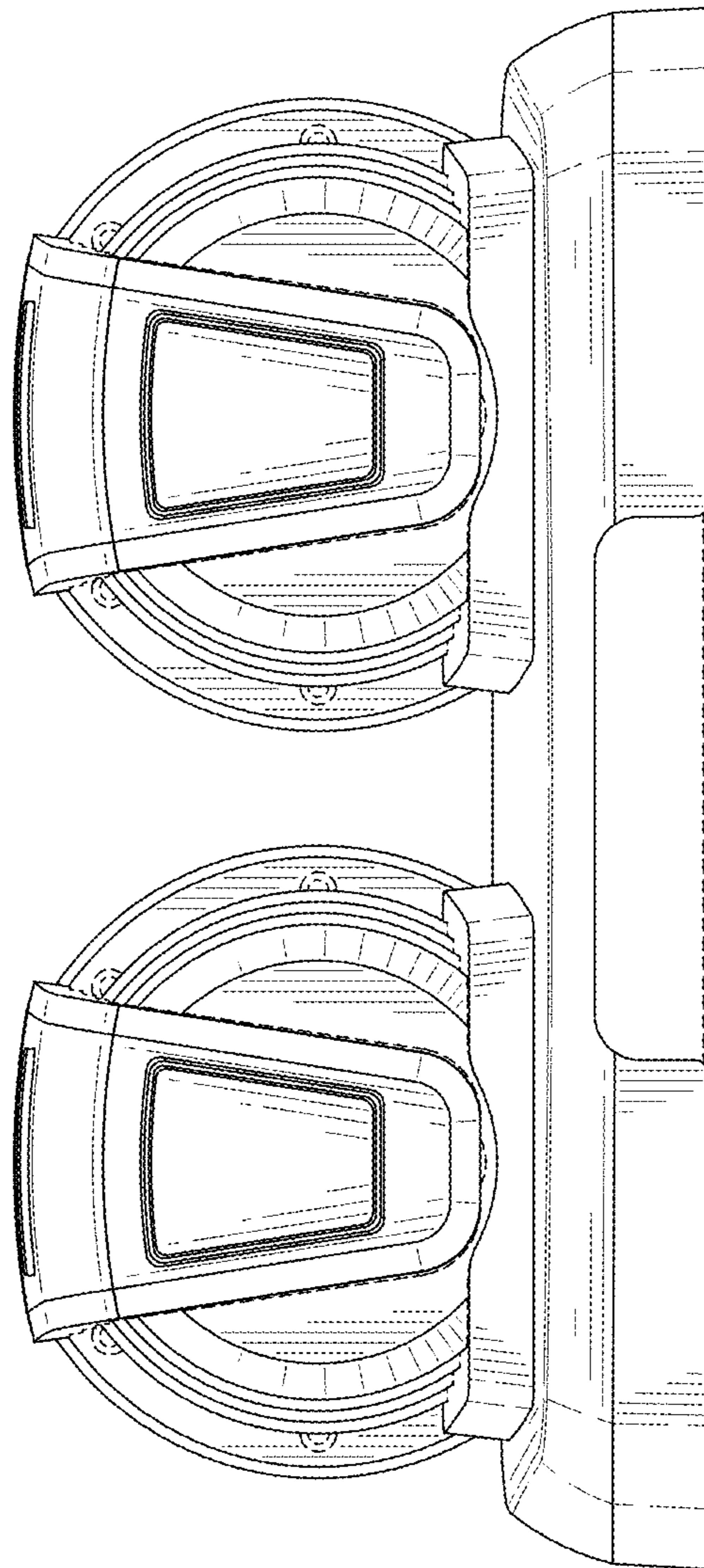


FIG. 4

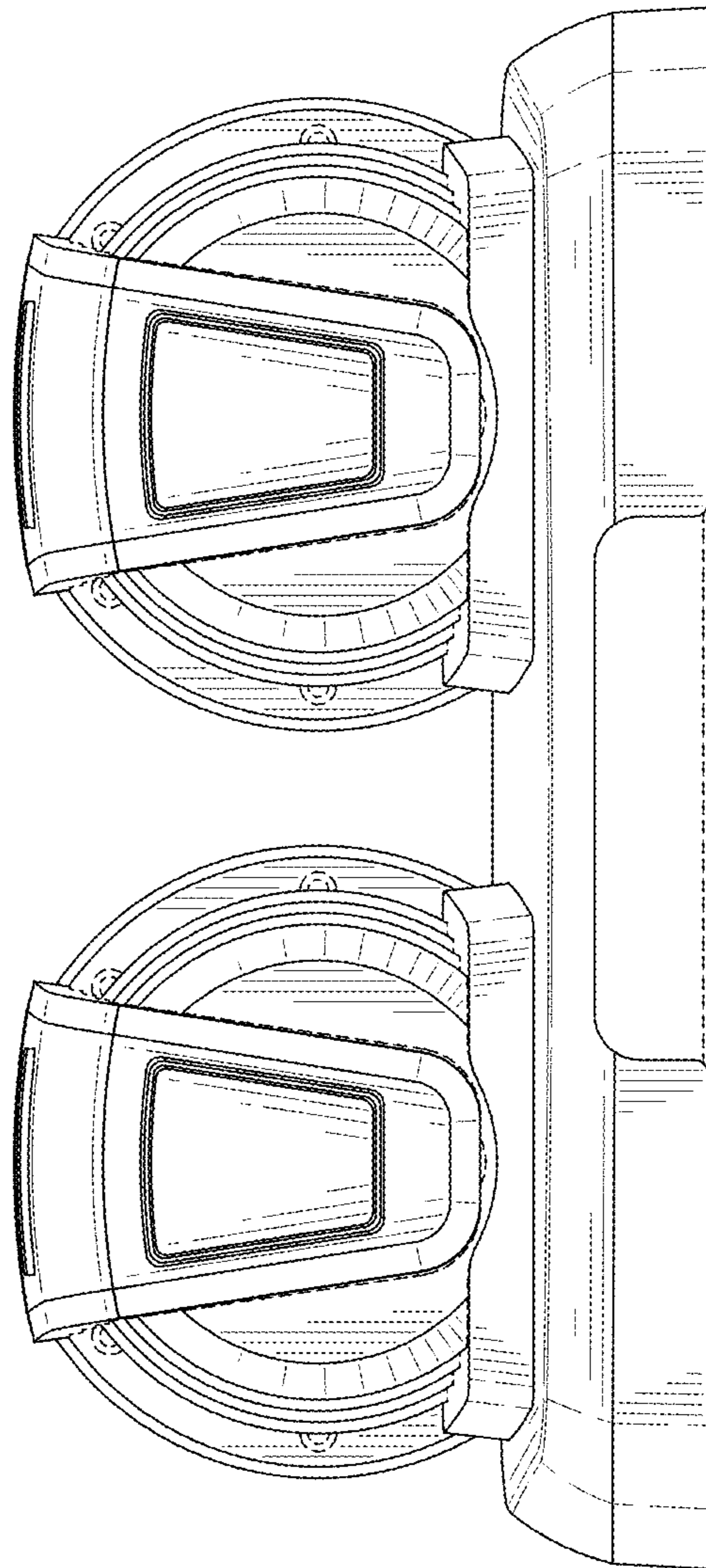


FIG. 5

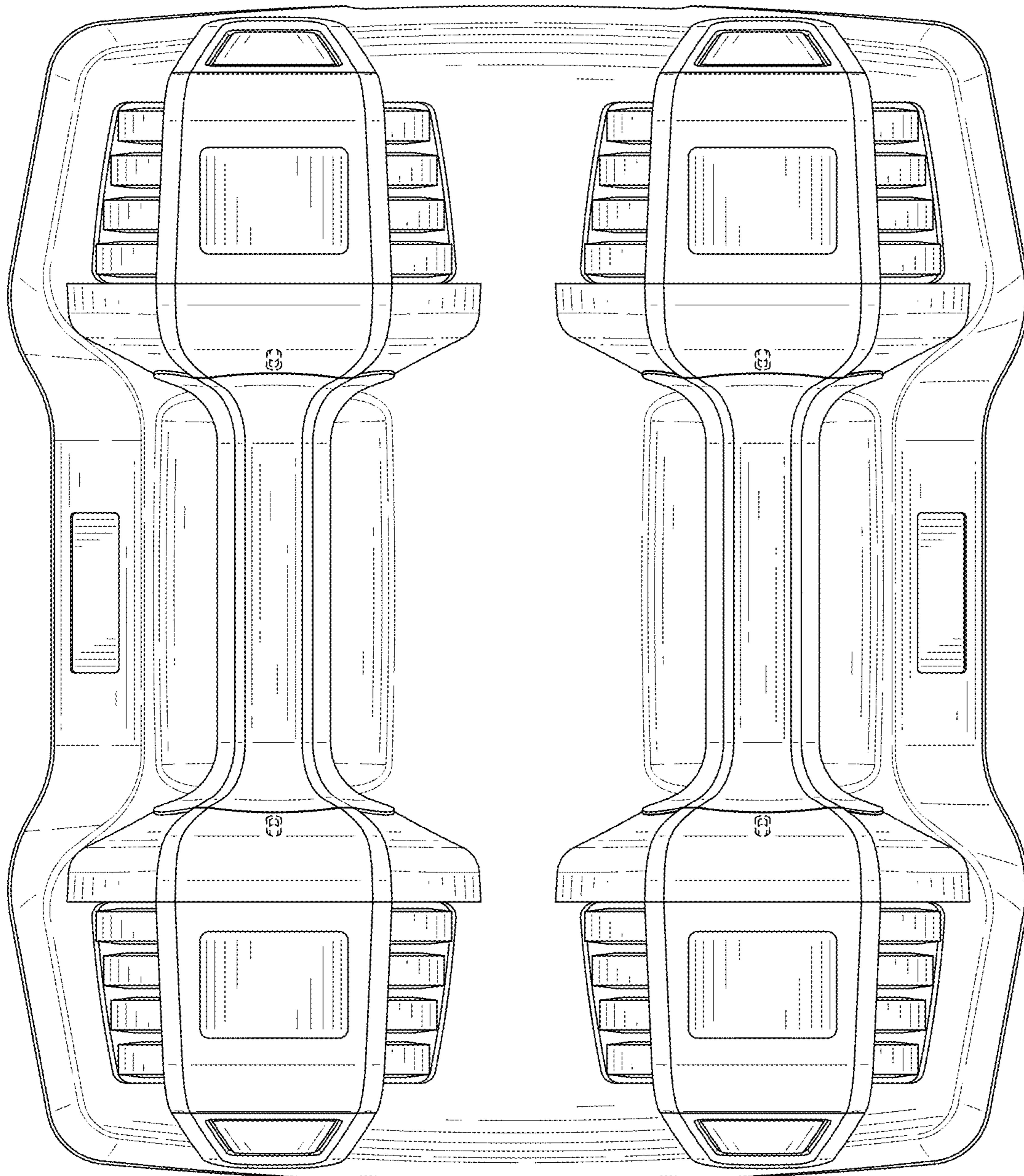


FIG. 6

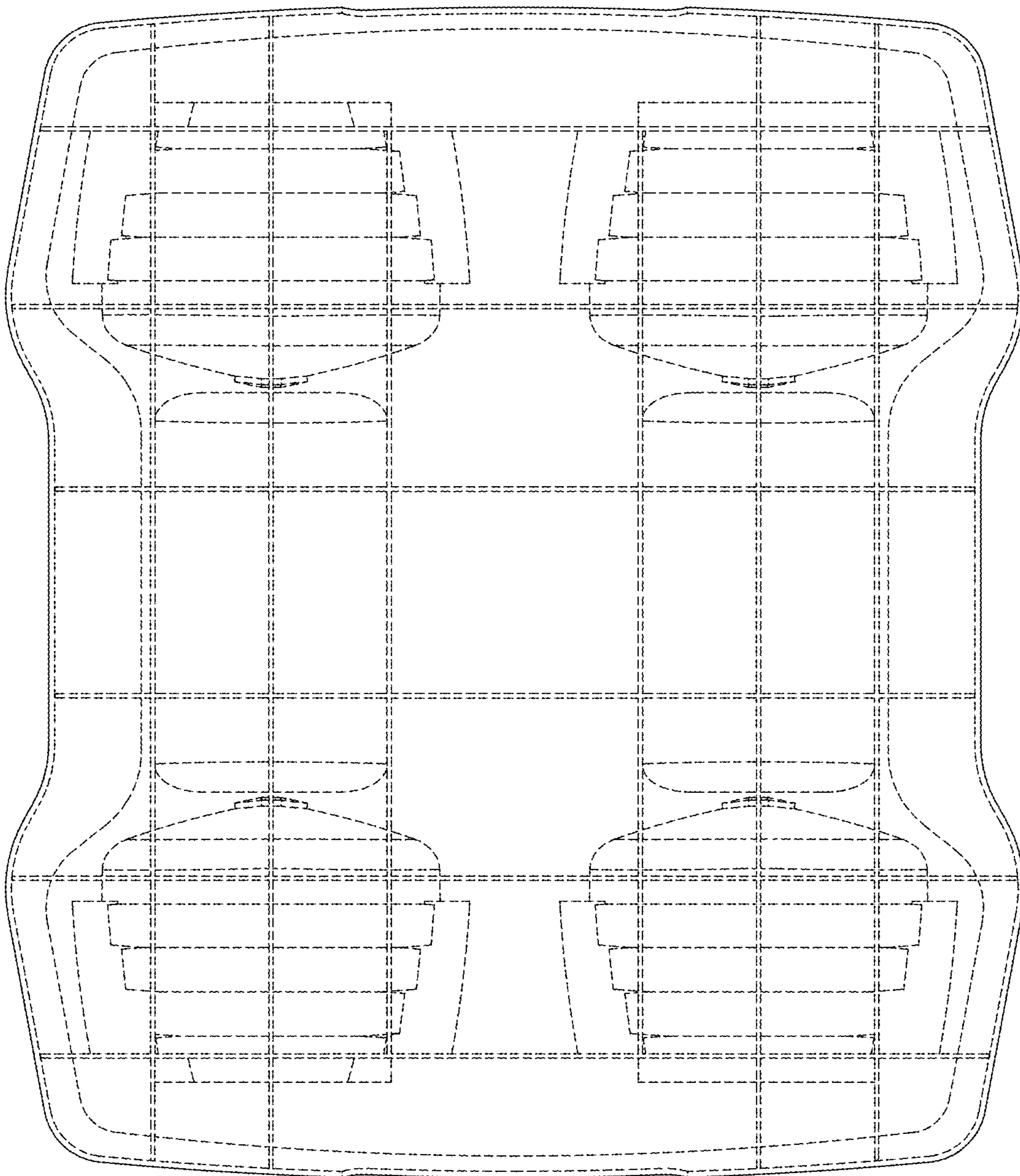


FIG. 7

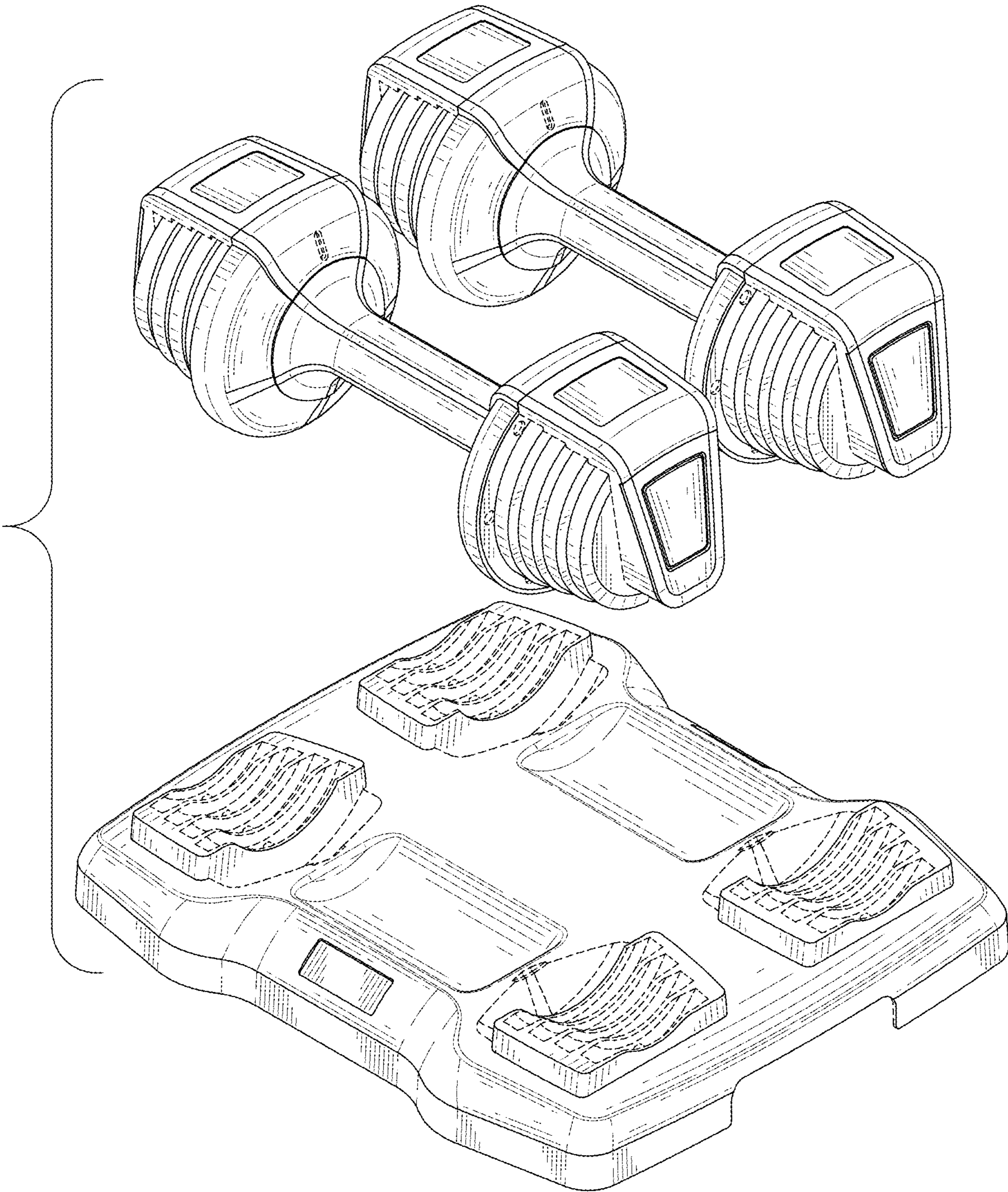


FIG. 8