

US00D966437S

(12) **United States Design Patent** (10) **Patent No.:** **US D966,437 S**  
**Tian et al.** (45) **Date of Patent:** **\*\* Oct. 11, 2022**

(54) **TREADMILL**

(71) Applicant: **Mo Technologies Co., Ltd.**, Shanghai (CN)

(72) Inventors: **Wangui Tian**, Shanghai (CN); **Jian Xie**, Shanghai (CN)

(73) Assignee: **MO TECHNOLOGIES CO., LTD.**, Shanghai (CN)

(\*\*) Term: **15 Years**

(21) Appl. No.: **29/738,745**

(22) Filed: **Jun. 19, 2020**

(30) **Foreign Application Priority Data**

Jan. 20, 2020 (CN) ..... 202030040623.8

(51) **LOC (13) Cl.** ..... **21-02**

(52) **U.S. Cl.**  
USPC ..... **D21/669**

(58) **Field of Classification Search**  
USPC ..... D21/668, 669, 671, 670, 800, 694  
See application file for complete search history.

(56) **References Cited**

U.S. PATENT DOCUMENTS

|              |         |          |       |         |
|--------------|---------|----------|-------|---------|
| D280,002 S * | 8/1985  | Smith    | ..... | D21/669 |
| D342,107 S * | 12/1993 | Chang    | ..... | D21/669 |
| D888,845 S * | 6/2020  | Luo      | ..... | D21/669 |
| D889,569 S * | 7/2020  | Luo      | ..... | D21/669 |
| D908,817 S * | 1/2021  | Wang     | ..... | D21/669 |
| D910,123 S * | 2/2021  | Li       | ..... | D21/669 |
| D918,317 S * | 5/2021  | Servadei | ..... | D21/669 |
| D919,719 S * | 5/2021  | Ren      | ..... | D21/669 |
| D926,895 S * | 8/2021  | Zhu      | ..... | D21/669 |
| D929,511 S * | 8/2021  | Chen     | ..... | D21/669 |
| D934,353 S * | 10/2021 | Hu       | ..... | D21/669 |
| D934,961 S * | 11/2021 | Luo      | ..... | D21/669 |
| D935,537 S * | 11/2021 | Wang     | ..... | D21/669 |

|                   |         |       |       |                      |
|-------------------|---------|-------|-------|----------------------|
| D952,064 S *      | 5/2022  | Pan   | ..... | D21/669              |
| 2004/0198558 A1 * | 10/2004 | Chang | ..... | A63B 22/02<br>482/54 |
| 2009/0005224 A1 * | 1/2009  | Davis | ..... | A63B 22/02<br>482/54 |

(Continued)

OTHER PUBLICATIONS

Merax, announced 2020 [online], [site visited Aug. 31, 2021]. Available on internet, URL:https://www.amazon.com/Merax-Motorized-Treadmill-Adjustment-Downloadable/dp/B084DTSYTP/ref=sr\_1\_22\_sspa?dchild=1&keywords=advenor+treadmill&qid=162999798&sr=8-22-spons&psc=1&spLa=ZW5jcnlwdGVkUXVhbGlmaWVyPUEwMzRWS1A1RjVYNFVJRyZlbnNyeXB0ZWRBZEIkPUEwMDM2NDk3MURBSzNGVUpEMTg1MyZ3aWRnZXROYW1IPXNwX210ZiZhY3Rpb249Y2xpY2tSZWRpcmVjdCZkb05vdExvZ0NsaWNrPXRydWU= (Year: 2020).\*

Primary Examiner — Khawaja Anwar

Assistant Examiner — Julice Seung Eun Oum

(74) Attorney, Agent, or Firm — IPro, PLLC; Na Xu

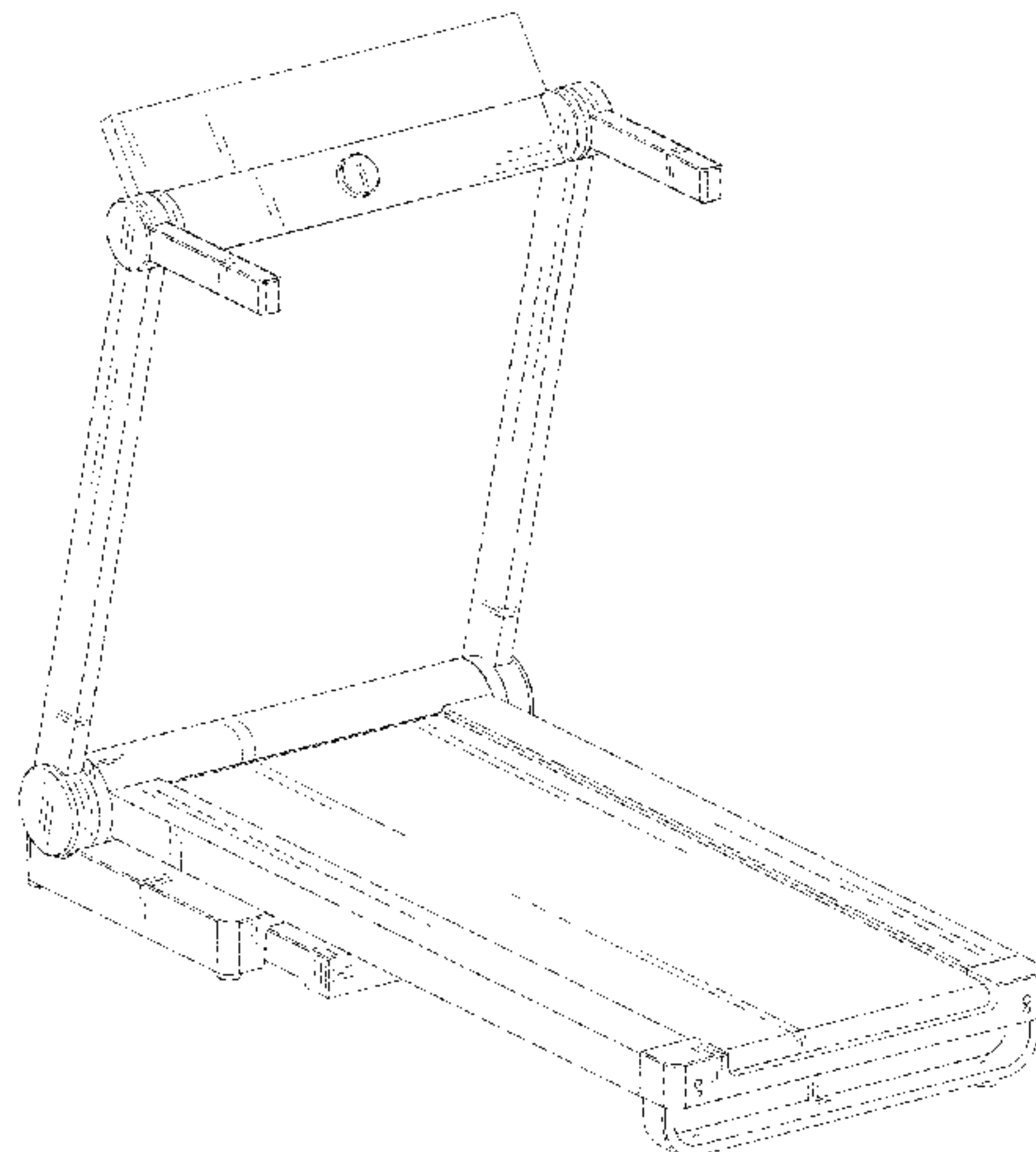
(57) **CLAIM**

The ornamental design for a treadmill, as shown and described.

**DESCRIPTION**

FIG. 1 is a perspective view of a treadmill embodying the new design;  
FIG. 2 is a front view thereof;  
FIG. 3 is a back view thereof;  
FIG. 4 is a left side view thereof;  
FIG. 5 is a right side view thereof;  
FIG. 6 is a top view thereof;  
FIG. 7 is a bottom view thereof;  
FIG. 8 is a perspective view of a treadmill embodying a moved position of the new design;  
FIG. 9 is a front view thereof;  
FIG. 10 is a back view thereof;  
FIG. 11 is a left side view thereof; and,  
FIG. 12 is a top view thereof.

(Continued)



The broken lines in the figures illustrate the portions of the treadmill that form no part of the claimed design.

**1 Claim, 12 Drawing Sheets**

(56)

**References Cited**

U.S. PATENT DOCUMENTS

2009/0239708 A1\* 9/2009 Lin ..... A63B 22/0242  
482/7  
2010/0105527 A1\* 4/2010 Johnson ..... A63B 22/02  
482/54

\* cited by examiner

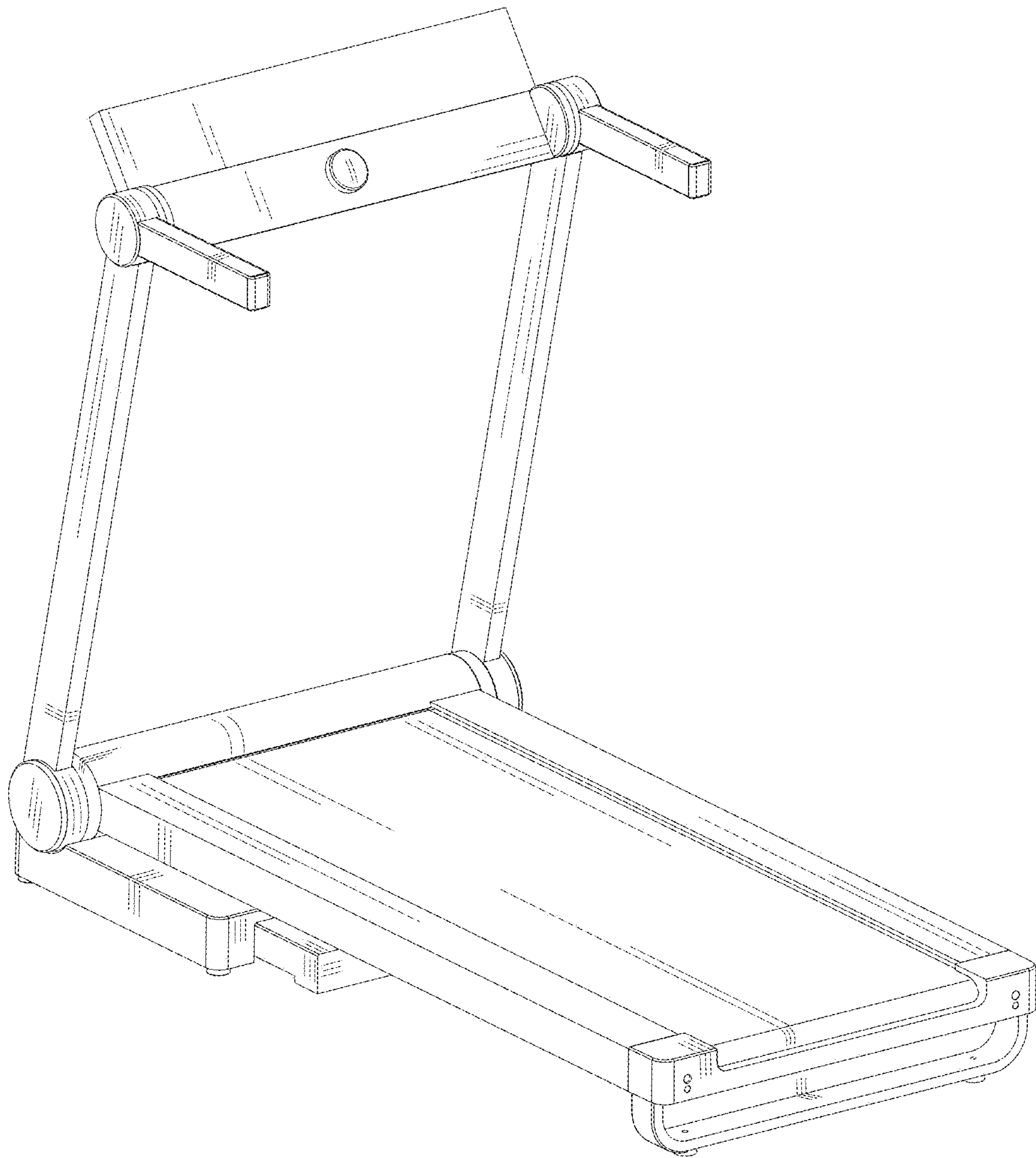


Fig.1

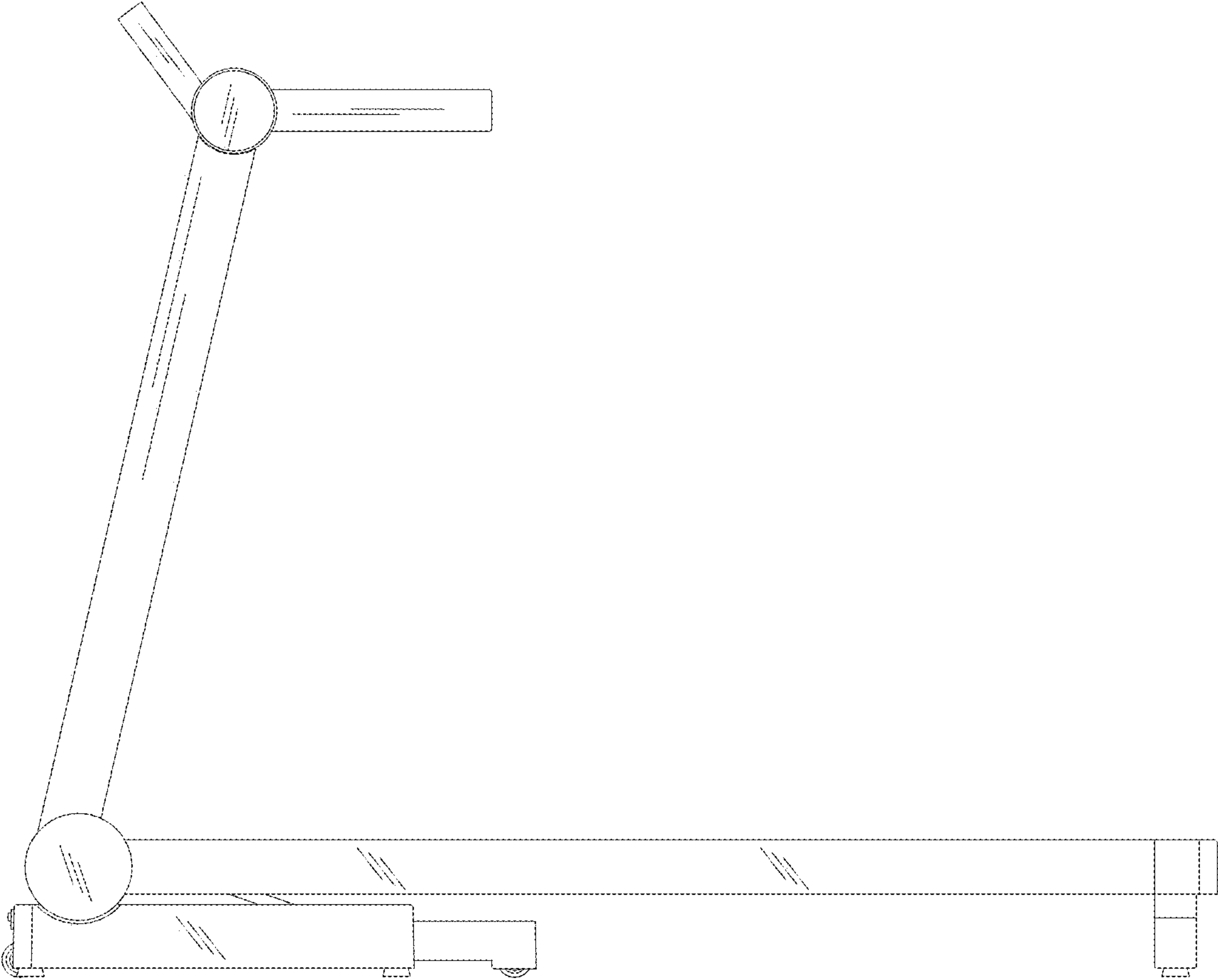


Fig.2

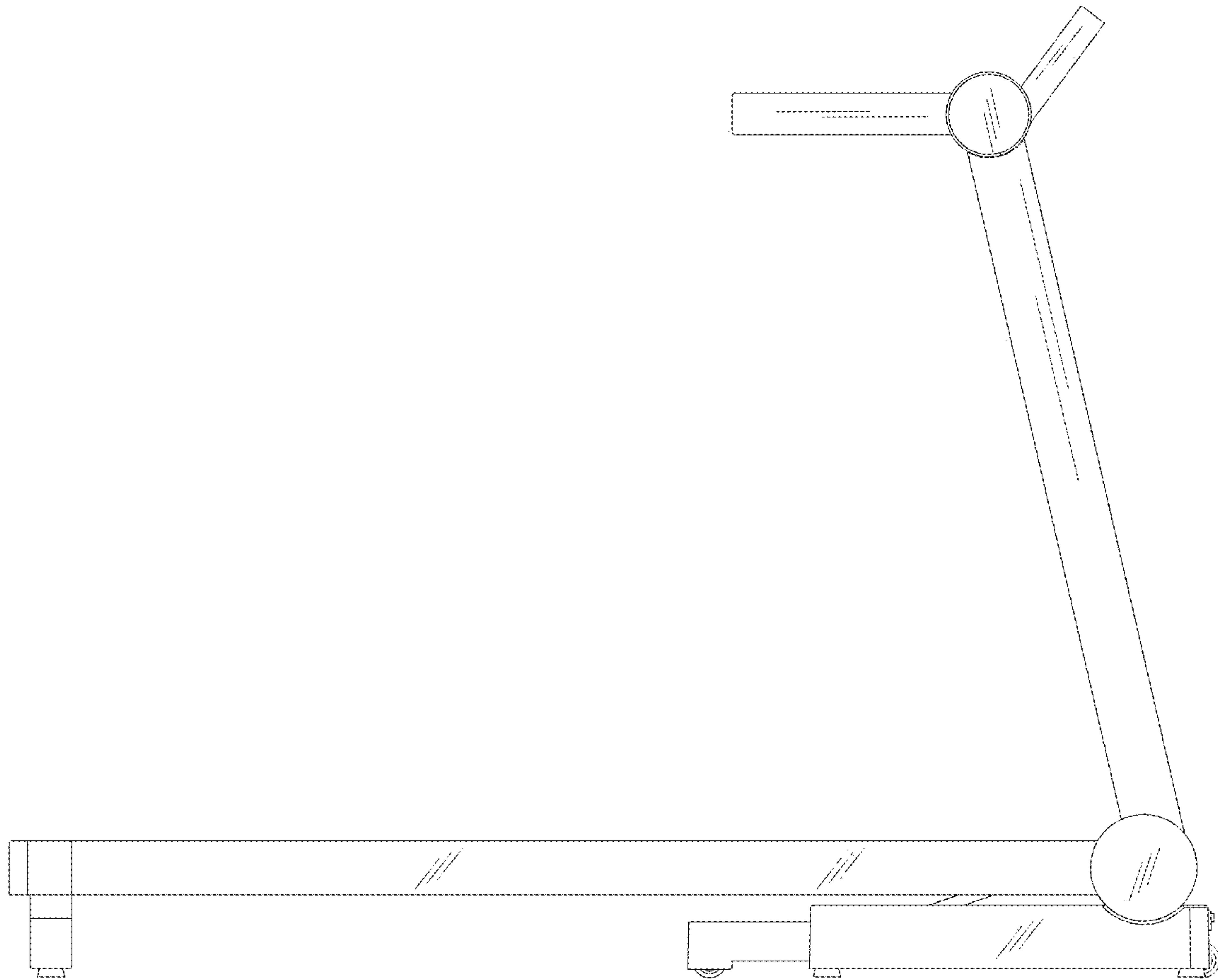


Fig. 3

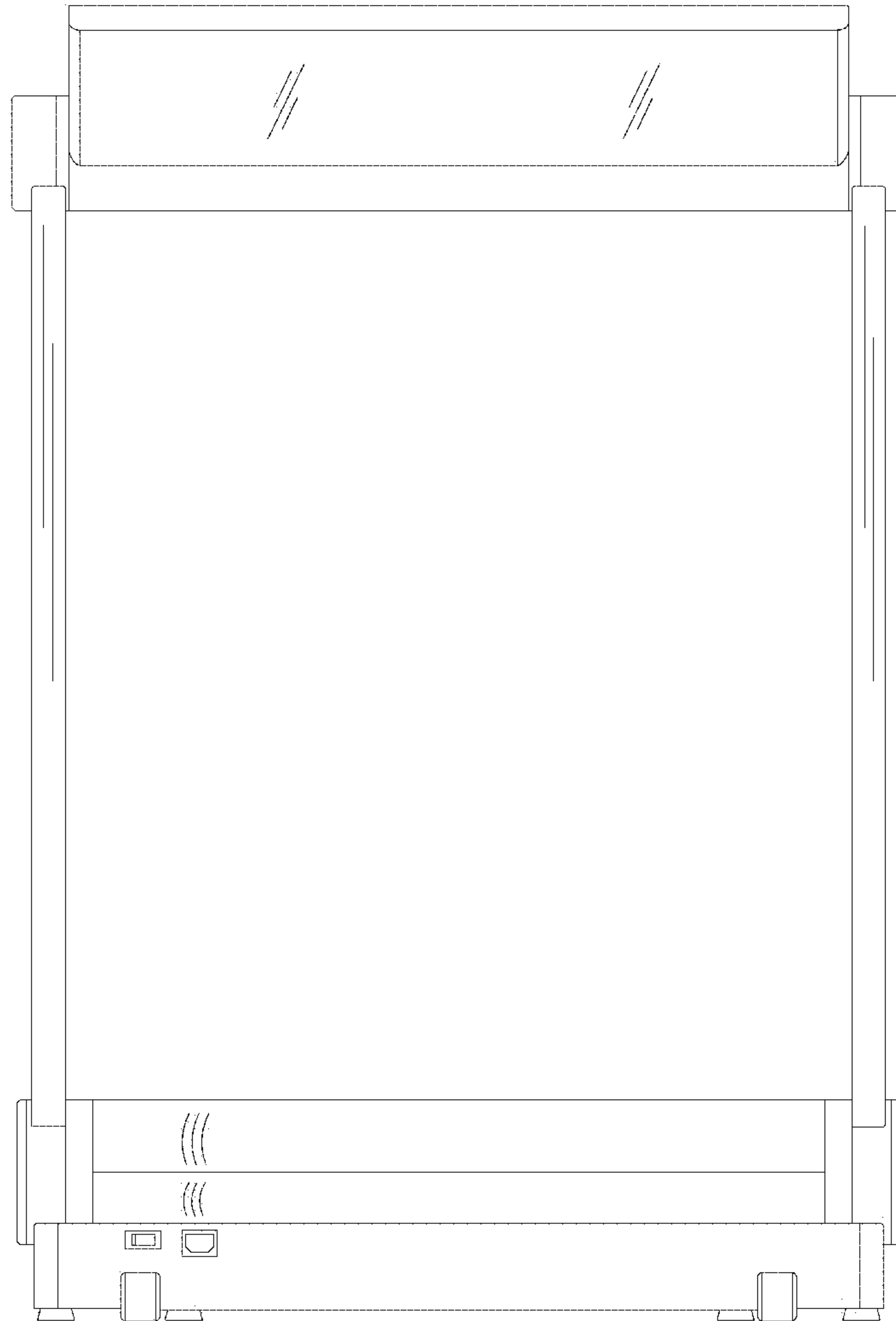


Fig.4

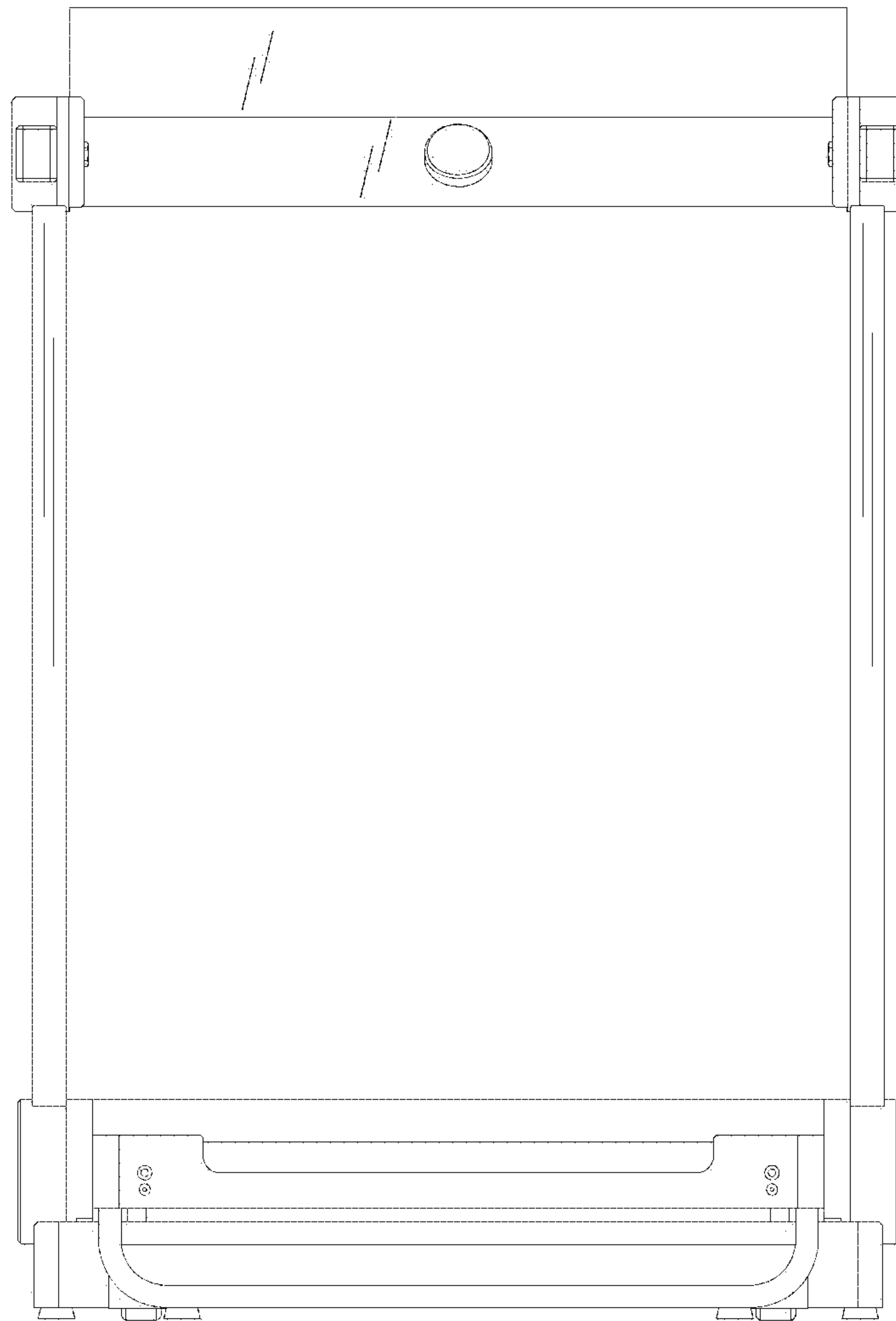


Fig.5

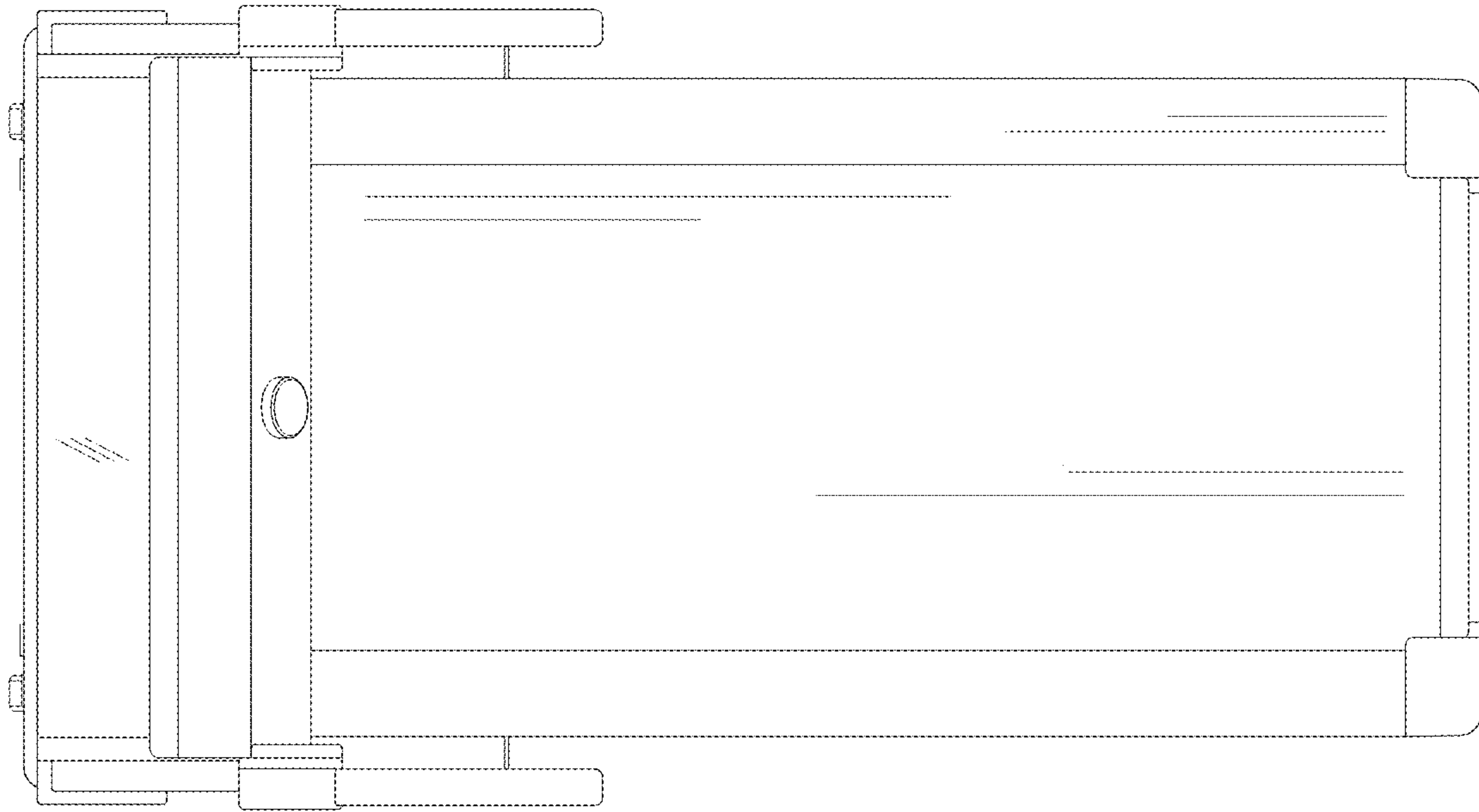


Fig.6



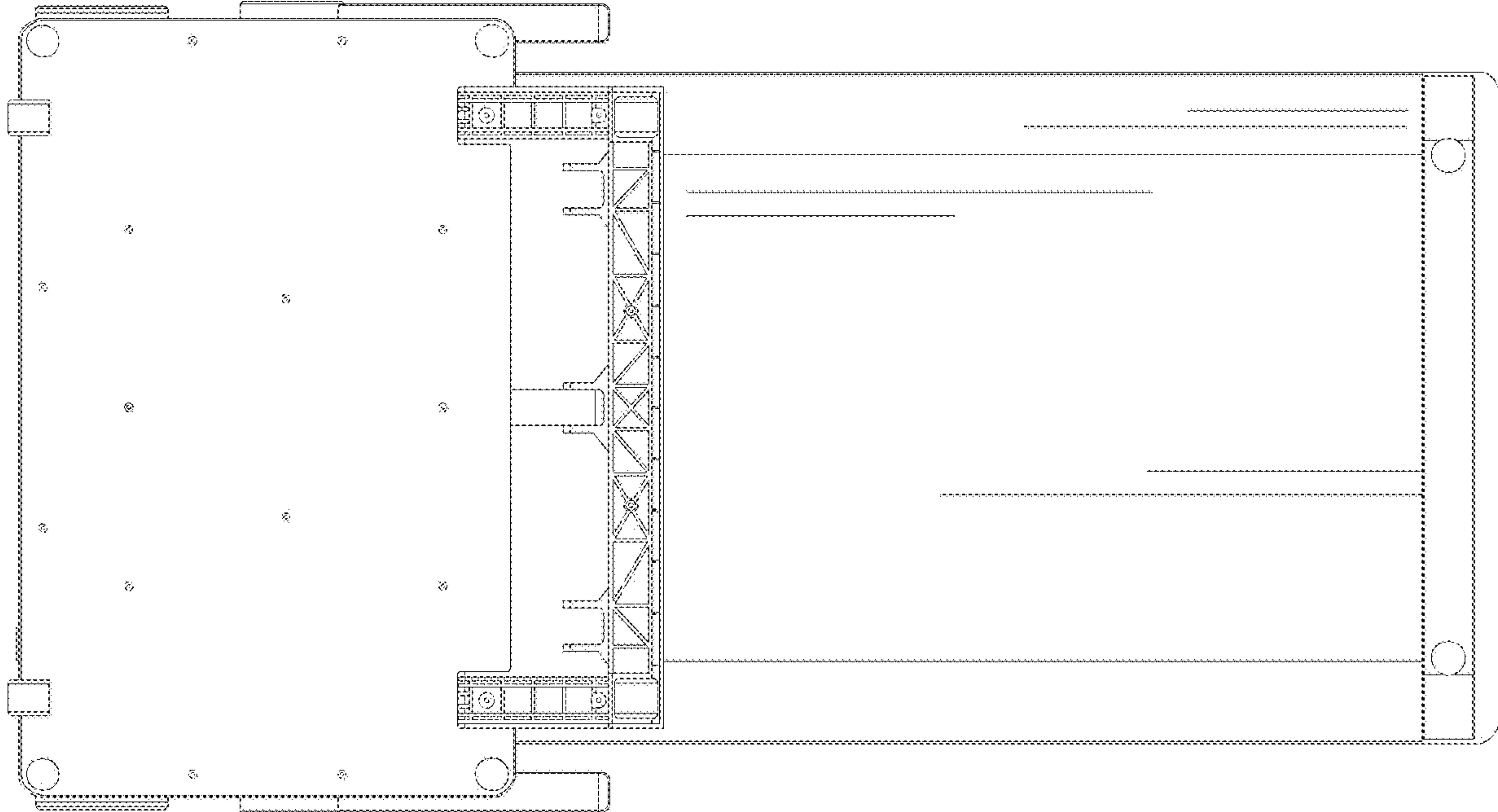


Fig.7

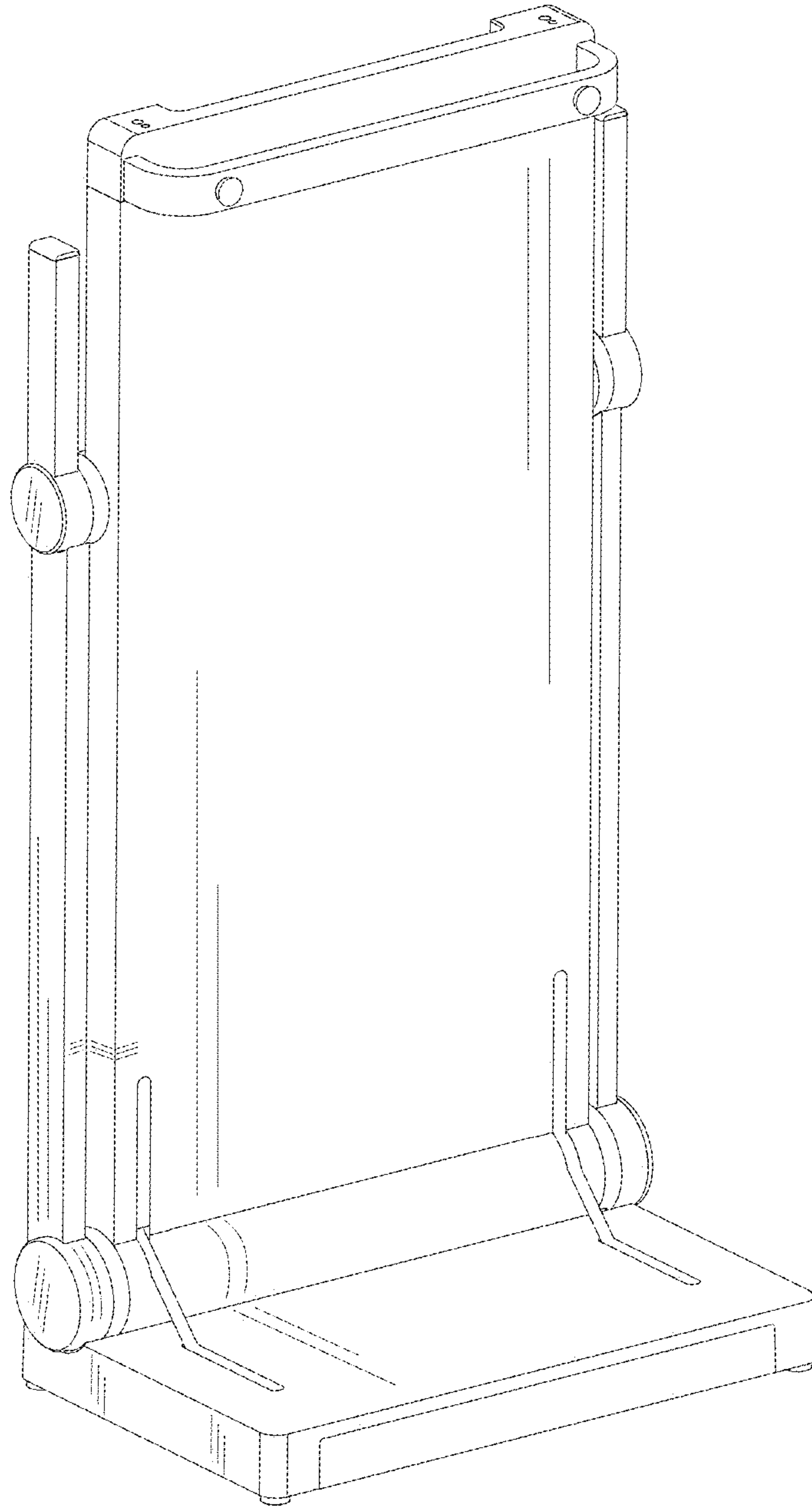


Fig.8

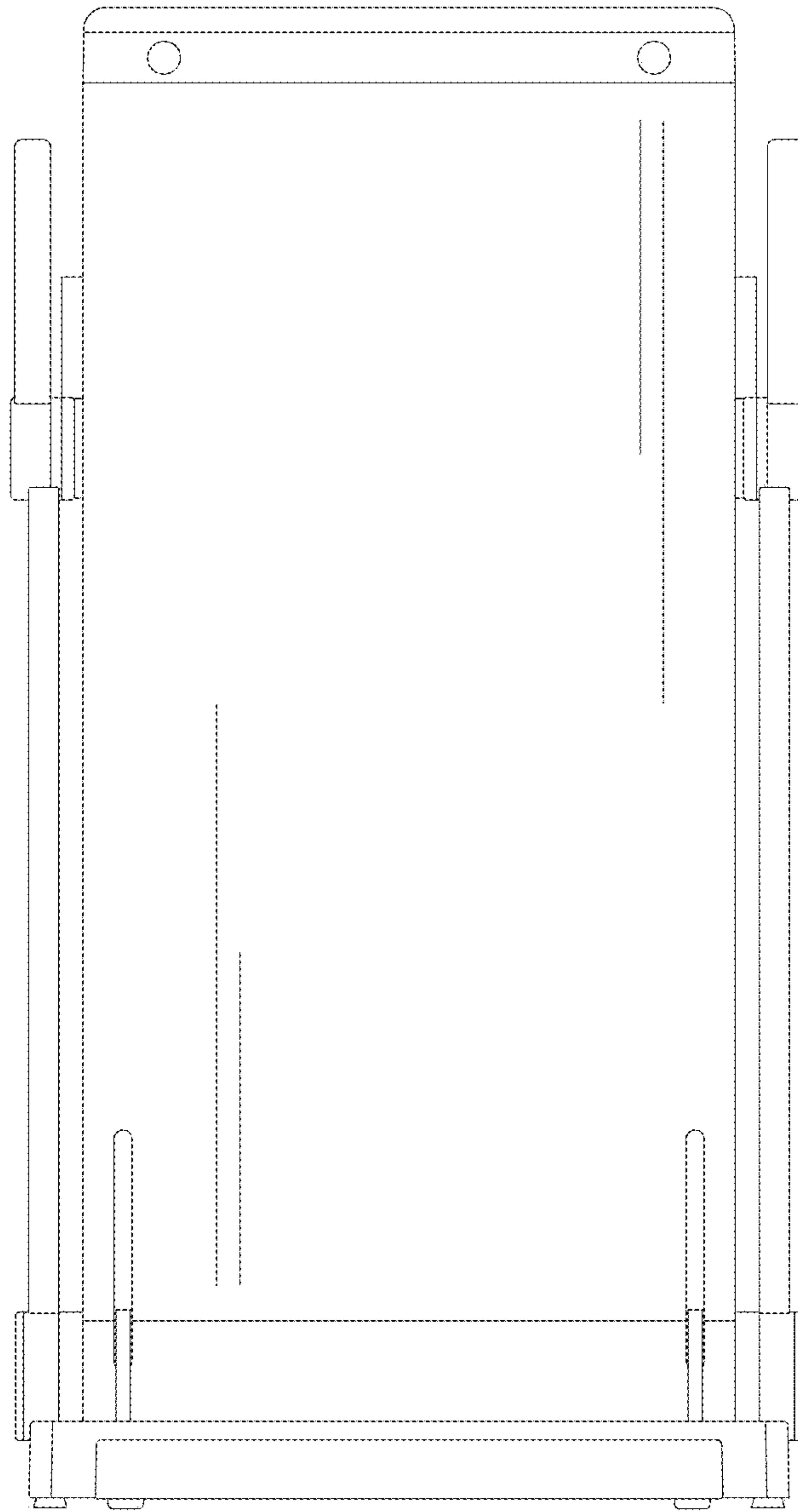


Fig.9

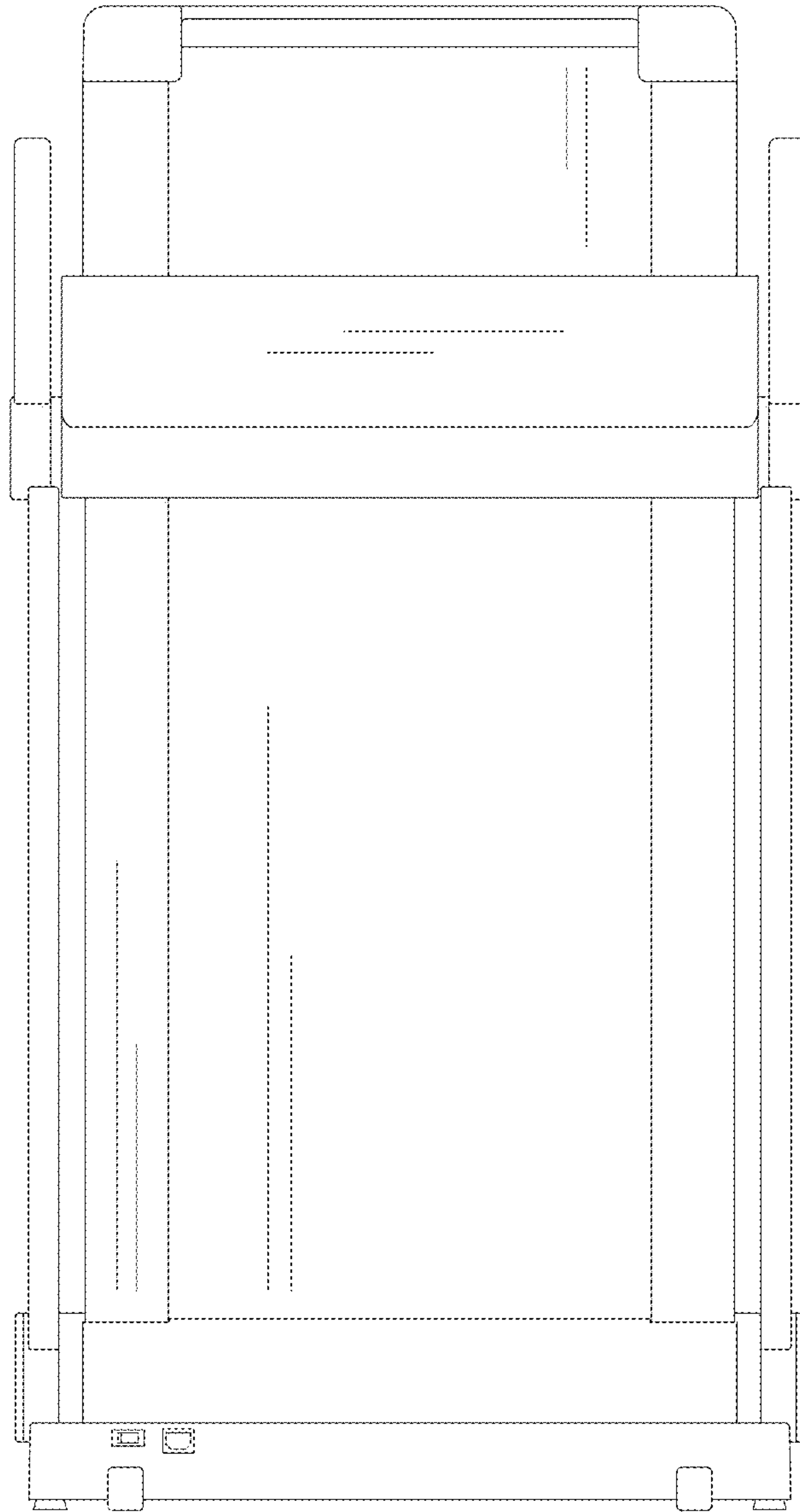


Fig.10

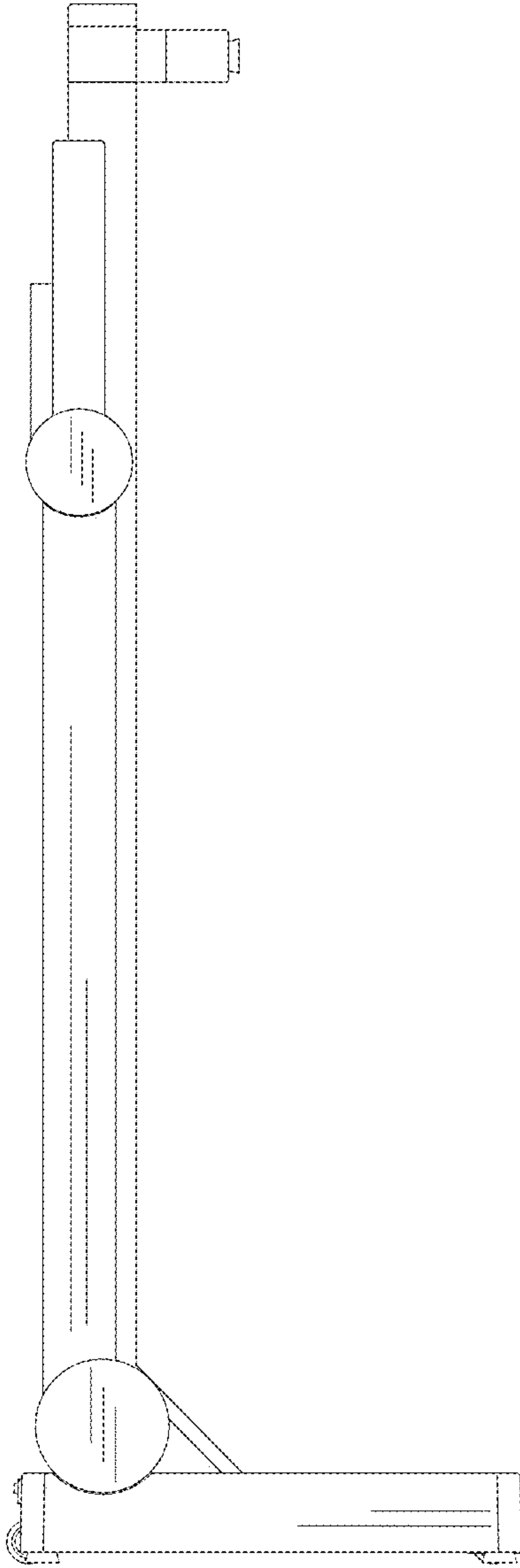


Fig.11

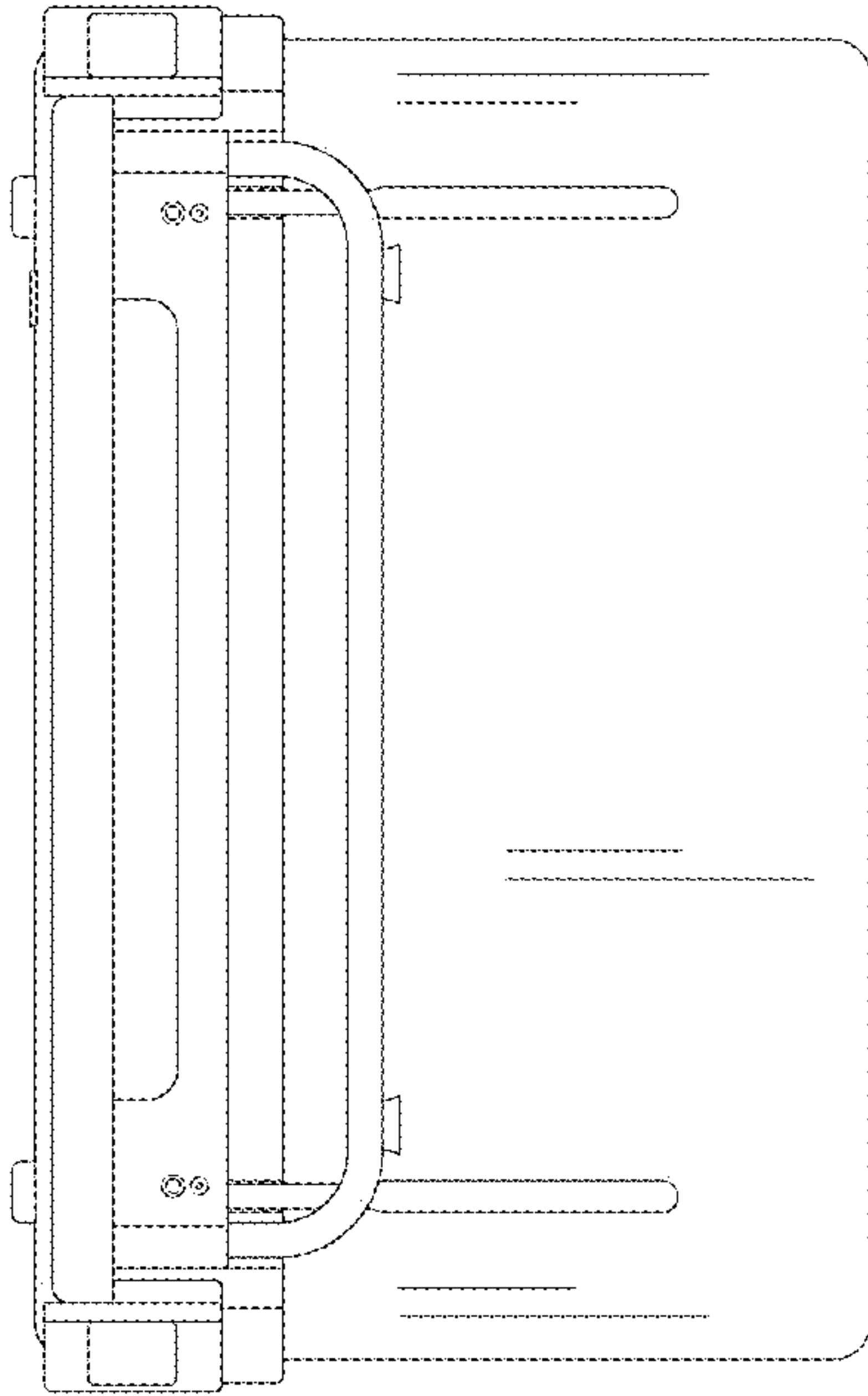


Fig.12