

US00D966434S

(12) **United States Design Patent** (10) **Patent No.:** **US D966,434 S**
Lee (45) **Date of Patent:** **** Oct. 11, 2022**

(54) **CLOCKWORK TOY ROBOT**

(71) Applicant: **Wen Hsien Lee**, New Taipei (TW)

(72) Inventor: **Wen Hsien Lee**, New Taipei (TW)

(**) Term: **15 Years**

(21) Appl. No.: **29/752,178**

(22) Filed: **Sep. 25, 2020**

(51) **LOC (13) Cl.** **21-02**

(52) **U.S. Cl.**
USPC **D21/578**

(58) **Field of Classification Search**
USPC D21/578-583, 621-622
CPC B25J 9/0006
See application file for complete search history.

(56) **References Cited**

U.S. PATENT DOCUMENTS

D233,238 S *	10/1974	Reid	D19/62
D342,981 S *	1/1994	D'Andrade	D21/578
D353,856 S *	12/1994	Ryaa	D21/621
D389,203 S *	1/1998	Glickman	D21/578
D410,476 S *	6/1999	Gomi	D15/199
D420,064 S *	2/2000	Poirier	D21/578
D442,649 S *	5/2001	Galvan	D21/621
D453,199 S *	1/2002	Sawai	D21/578
D460,131 S *	7/2002	Koshiishi	D21/578
D460,503 S *	7/2002	Koshiishi	D21/578
D677,743 S *	3/2013	Koshiishi	D15/199
D687,908 S *	8/2013	Hoang	D15/199
D868,866 S *	12/2019	Gable	D15/199

OTHER PUBLICATIONS

SpringBots: 3-in-1 Spring-Powered Machines: Published Feb. 5, 2020[online], site visited Mar. 16, 2022. Available from Internet URL: https://youtu.be/liE_y-d-TLg (Year: 2020).*

* cited by examiner

Primary Examiner — Michael C Stout

Assistant Examiner — Melvin L Davis

(74) *Attorney, Agent, or Firm* — Alan D. Kamrath; Karin L. Williams; Mayer & Williams PC

(57) **CLAIM**

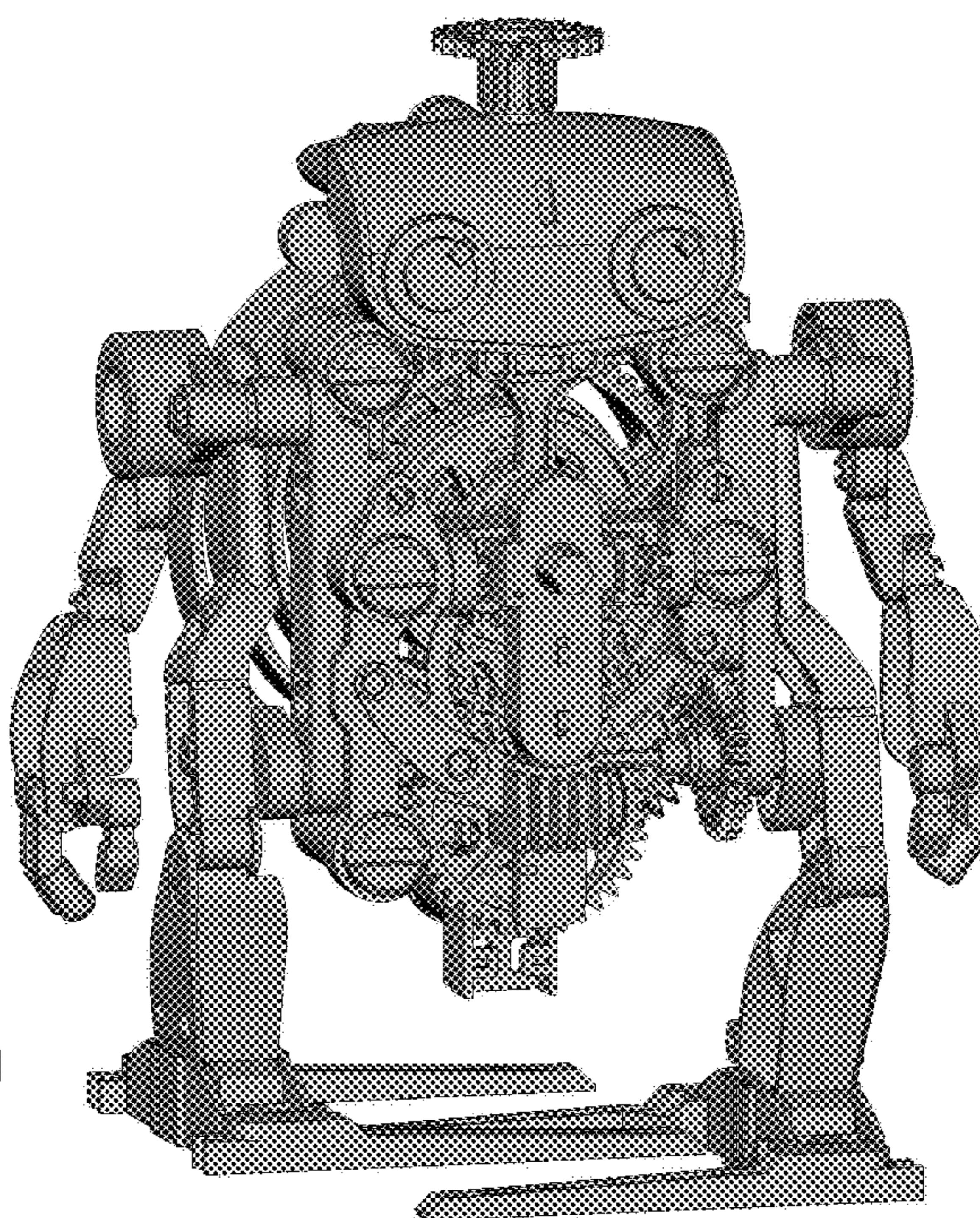
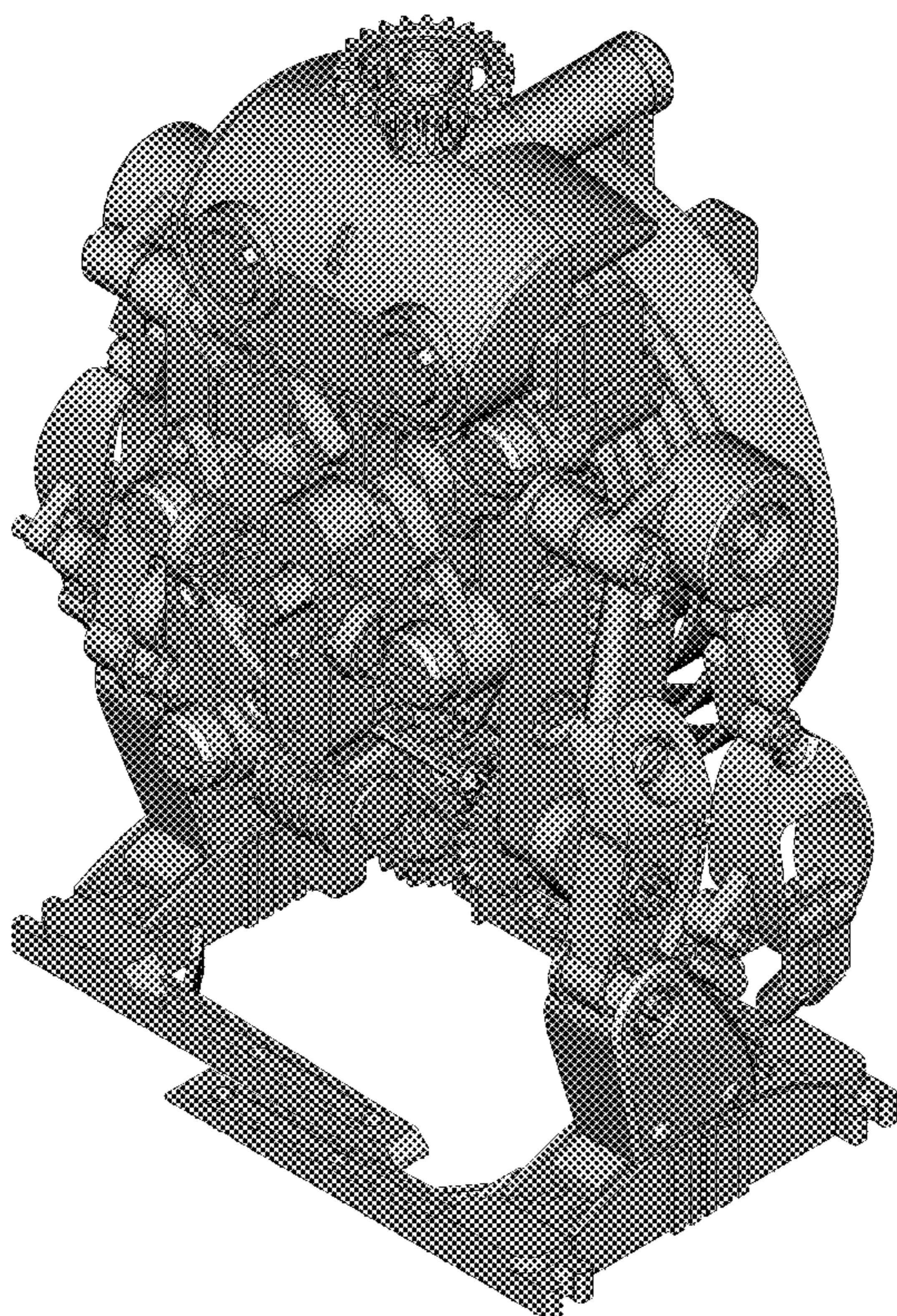
The ornamental design for a clockwork toy robot, as shown and described.

DESCRIPTION

FIG. 1 is a perspective view of a clockwork toy robot showing my new design; FIG. 2 is another perspective view thereof; FIG. 3 is still another perspective view thereof; FIG. 4 is the other perspective view thereof; FIG. 5 is a front elevation view thereof; FIG. 6 is a rear elevation view thereof; FIG. 7 is a left side elevation view thereof; FIG. 8 is a right side elevation view thereof; FIG. 9 is a top plan view thereof; and, FIG. 10 is a bottom view thereof.

The broken lines shown in the drawings depict portions of the article that form no part of the claimed design.

1 Claim, 10 Drawing Sheets



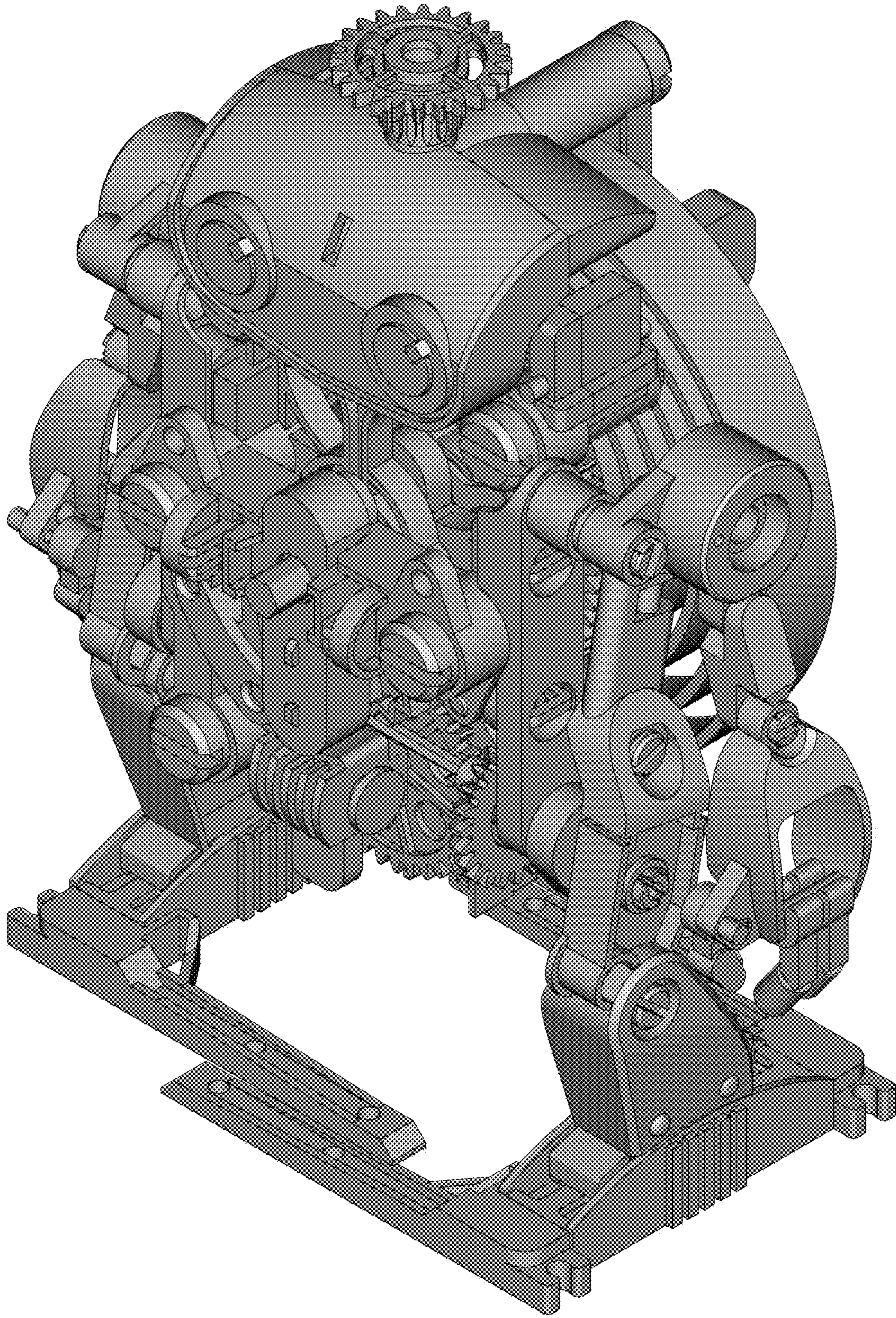


FIG.1

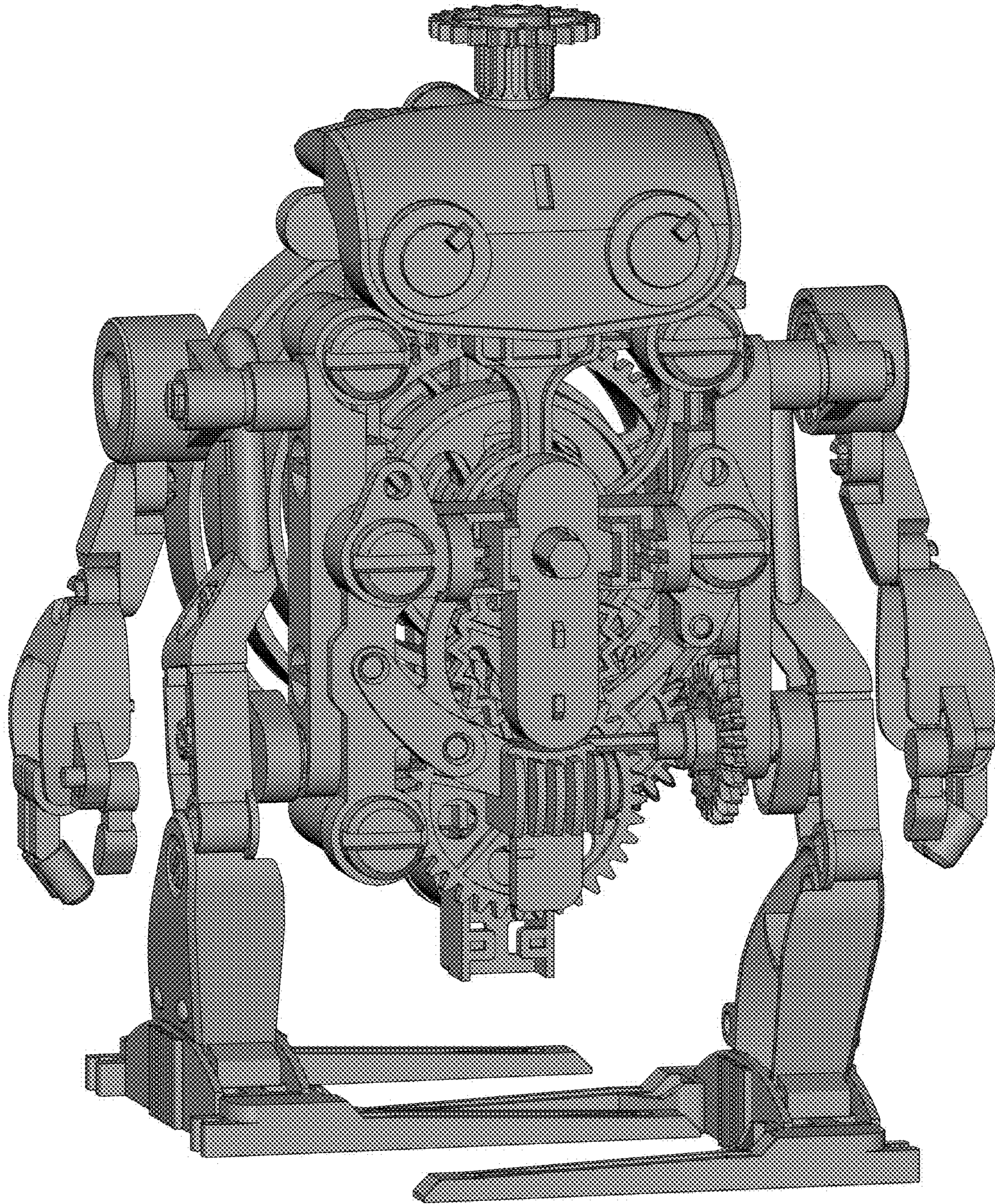


FIG.2

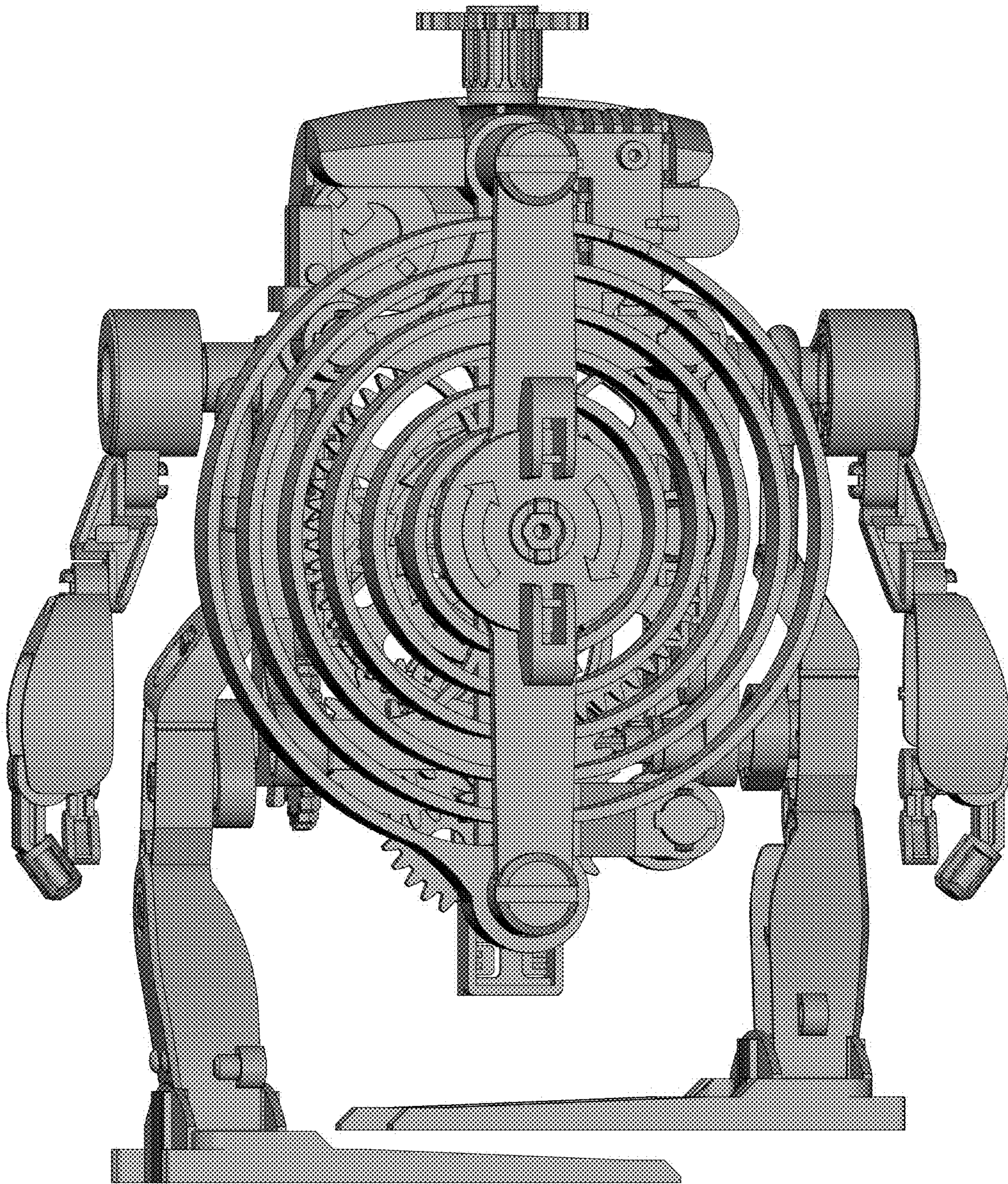


FIG.3

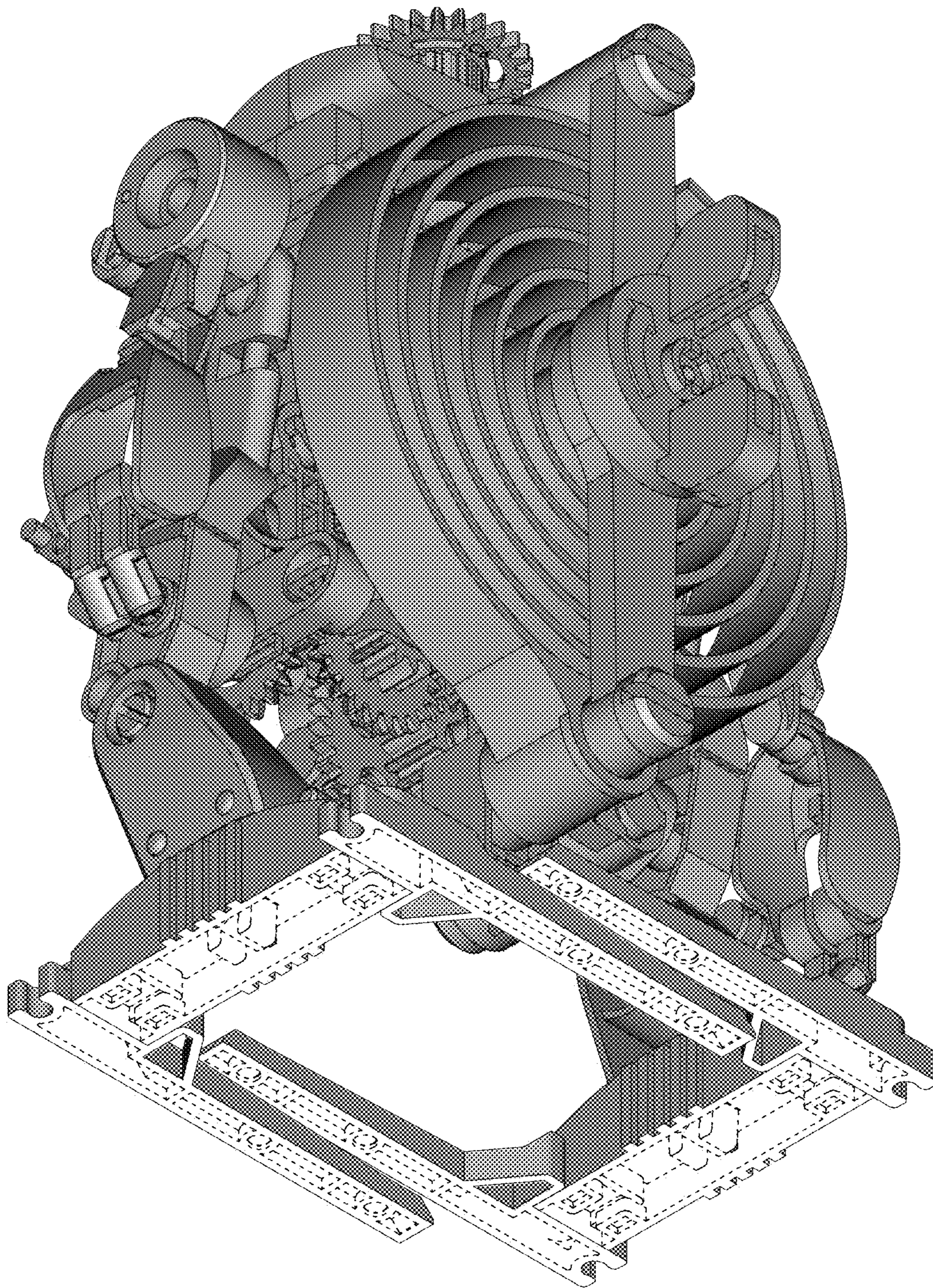


FIG.4

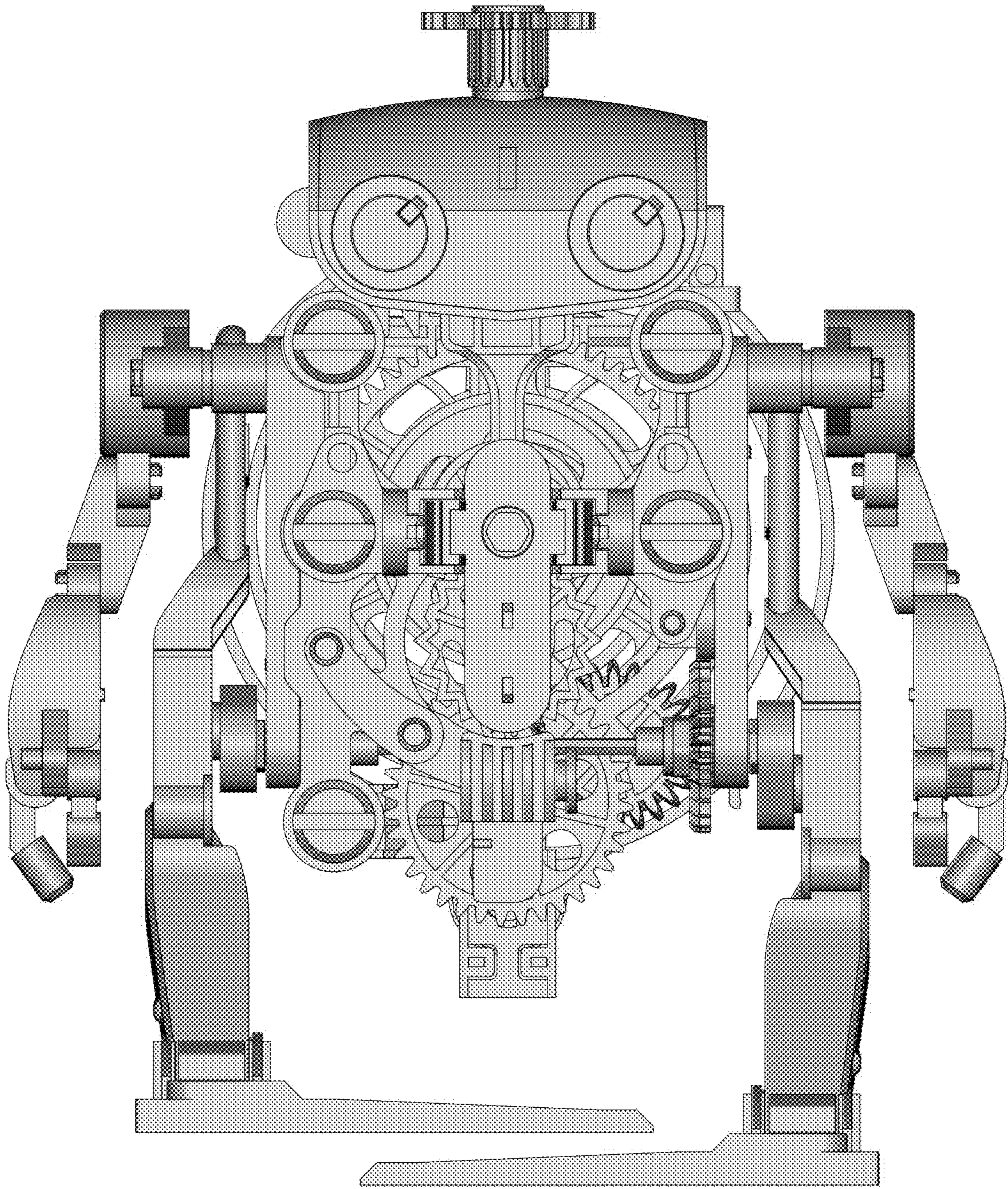


FIG.5

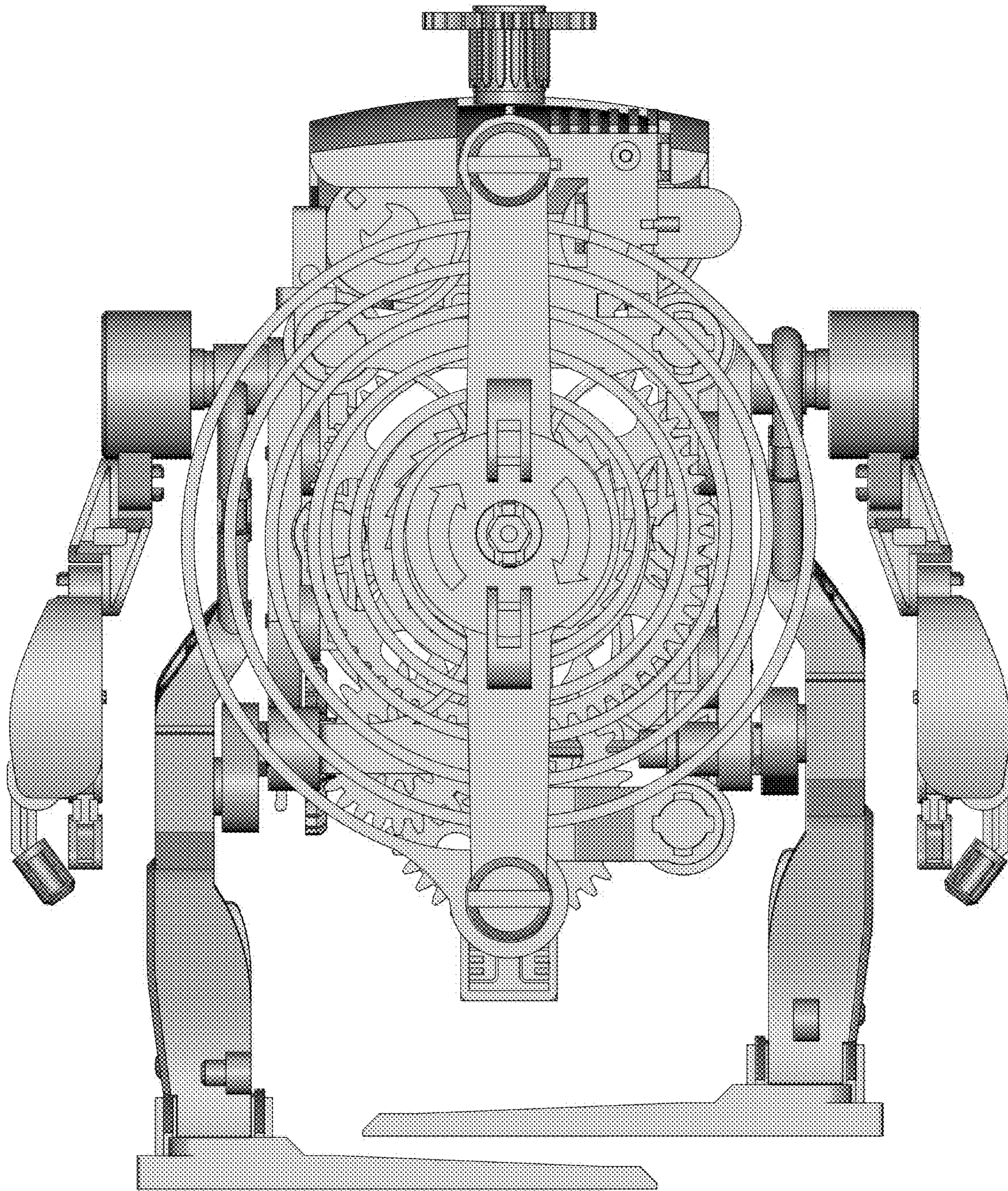


FIG.6

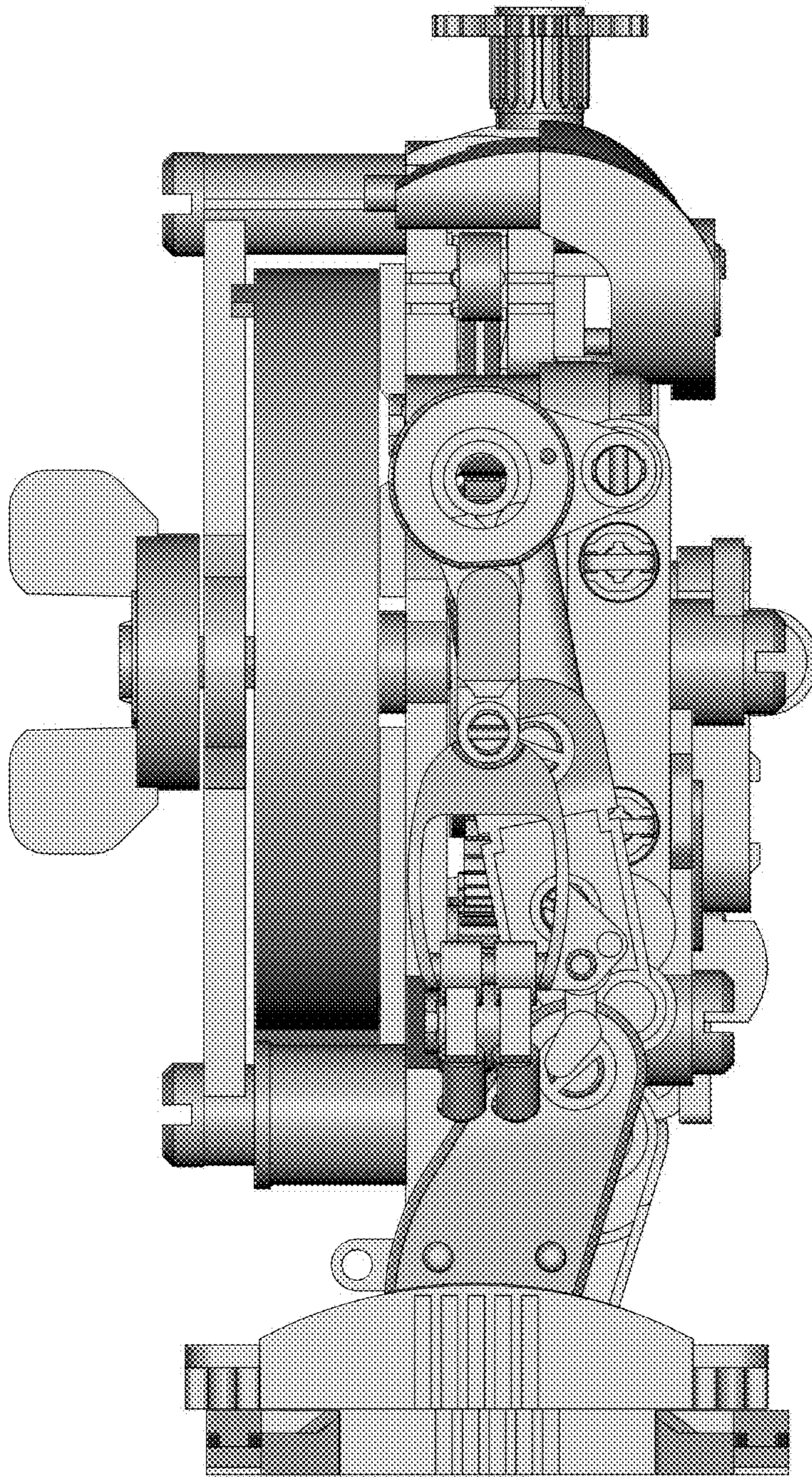


FIG.7

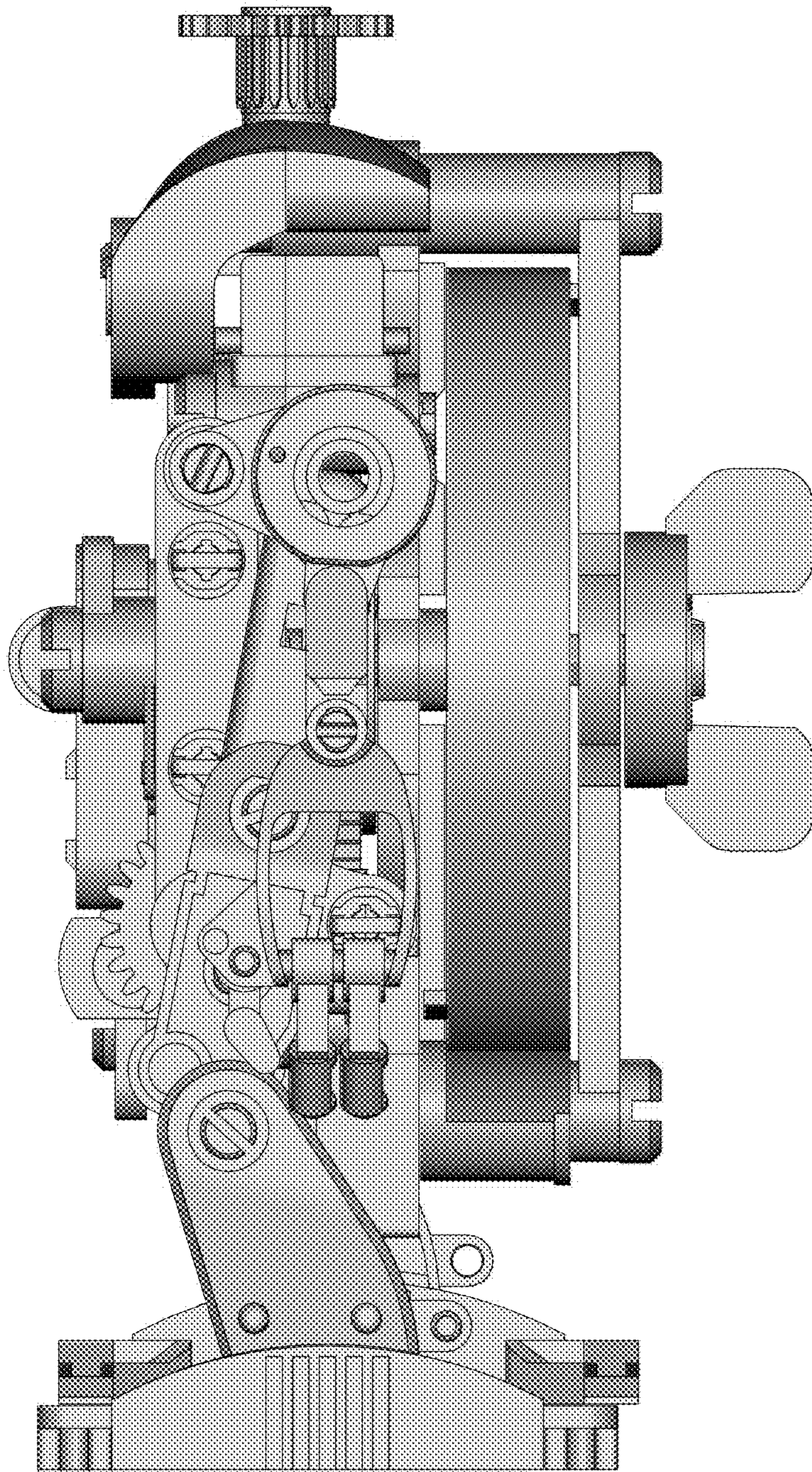


FIG.8

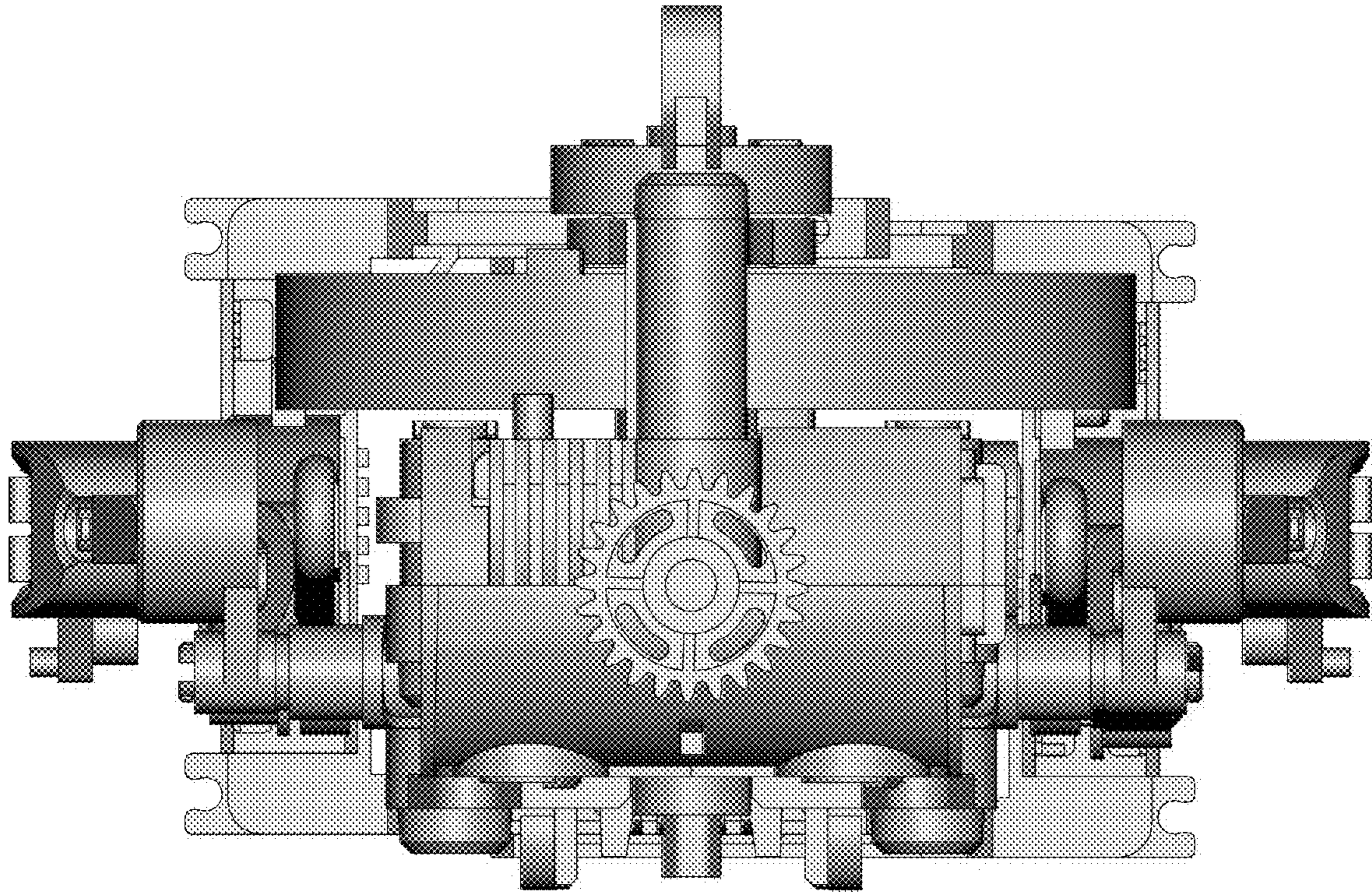


FIG.9

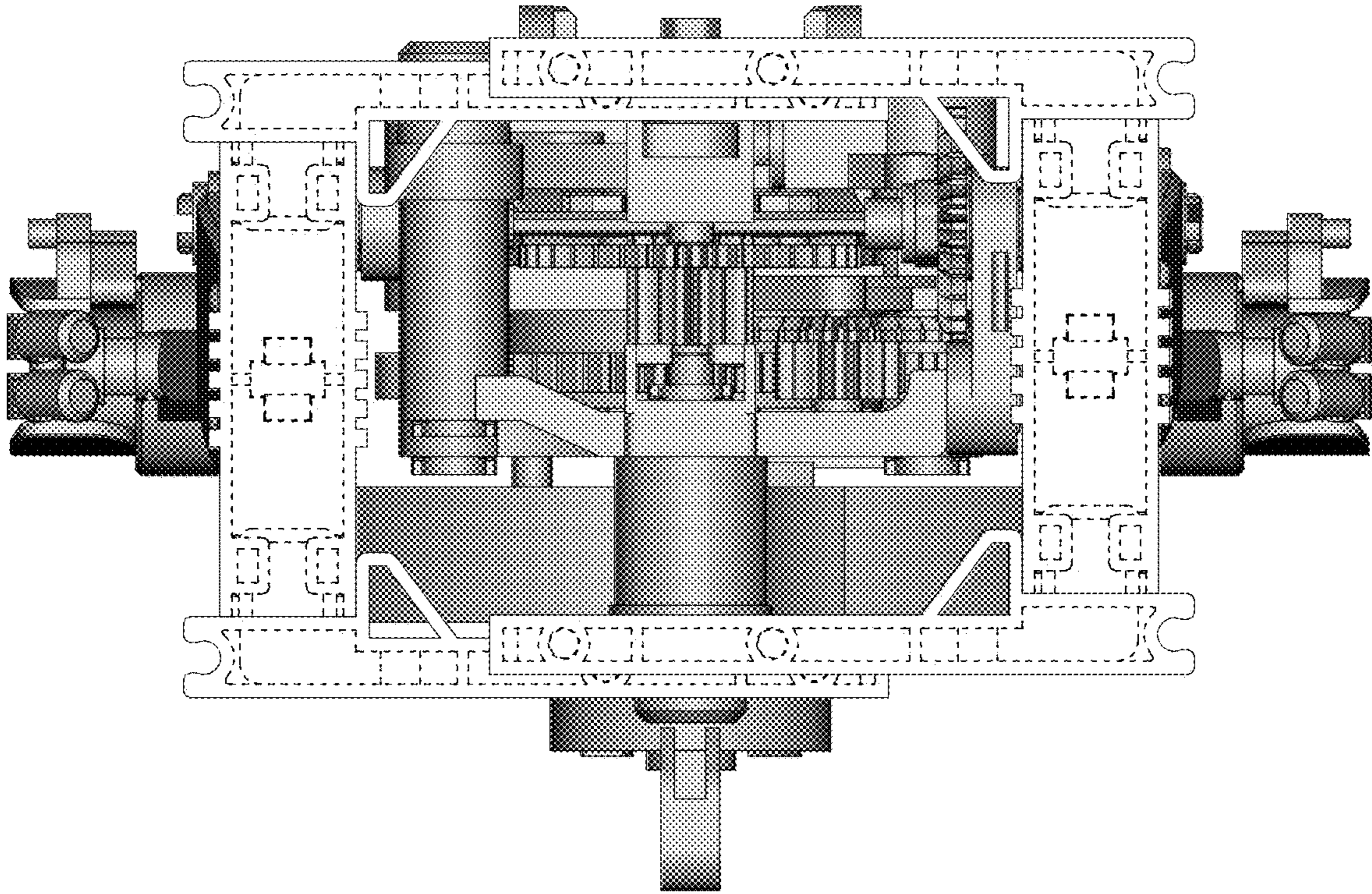


FIG.10