



US00D966429S

(12) **United States Design Patent** (10) **Patent No.:** **US D966,429 S**  
**Brous** (45) **Date of Patent:** **\*\* Oct. 11, 2022**

(54) **SPINNING DISC AND SPINDLE TOY**

FOREIGN PATENT DOCUMENTS

(71) Applicant: **Todd N. Brous**, Great Neck, NY (US)

CN 301557519 \* 5/2011  
CN 302061112 \* 9/2012

(72) Inventor: **Todd N. Brous**, Great Neck, NY (US)

(Continued)

(73) Assignee: **WIST Work, LLC**, Great Neck, NY (US)

OTHER PUBLICATIONS

(\*\*) Term: **15 Years**

Hobby Motorizing Parts Worm Gear Set shown on webpage: <https://web.archive.org/web/20160517094343/http://hobbymasters.com/stevens-assorted-plastic-worm-gear-set-12pcs/> Web Archive capture date: May 17, 2016 [Accessed May 19, 2018] (Year: 2016).\*

(21) Appl. No.: **29/673,432**

(Continued)

(22) Filed: **Dec. 14, 2018**

Primary Examiner — Catherine A Tuttle

(74) Attorney, Agent, or Firm — Dunlap Bennett & Ludwig, PLLC

**Related U.S. Application Data**

(60) Division of application No. 29/642,541, filed on Mar. 30, 2018, now Pat. No. Des. 843,488, which is a continuation-in-part of application No. 15/727,658, filed on Oct. 9, 2017, now abandoned.

(57) **CLAIM**

The ornamental design for a spinning disc and spindle toy, as shown and described.

(51) **LOC (13) Cl.** ..... **21-01**

**DESCRIPTION**

(52) **U.S. Cl.**  
USPC ..... **D21/455**

(58) **Field of Classification Search**  
USPC ..... D21/455-464; D15/139; D8/70, 387; 446/103, 236-266; 74/425, 458, 500, 74/505, 507, 509, 10.8, 89.14, 724, 74/665 GD, 424.5, 425.5, 426, 427, 499  
CPC .... A63H 1/00-32; A63H 11/04; A63H 13/20; A63H 31/02  
See application file for complete search history.

FIG. 1 is a top front perspective view of a spinning disc and spindle toy, showing my design;  
FIG. 2 is a top plan view thereof;  
FIG. 3 is a bottom plan view thereof;  
FIG. 4 is a front elevation view thereof, the rear elevation view being a mirror image thereof;  
FIG. 5 is a right elevation view thereof, the left elevation view being a mirror image thereof;  
FIG. 6 is an enlarged detail view of FIG. 1; and,  
FIG. 7 is a cross sectional view taken along line 7-7 of FIG. 1.

(56) **References Cited**

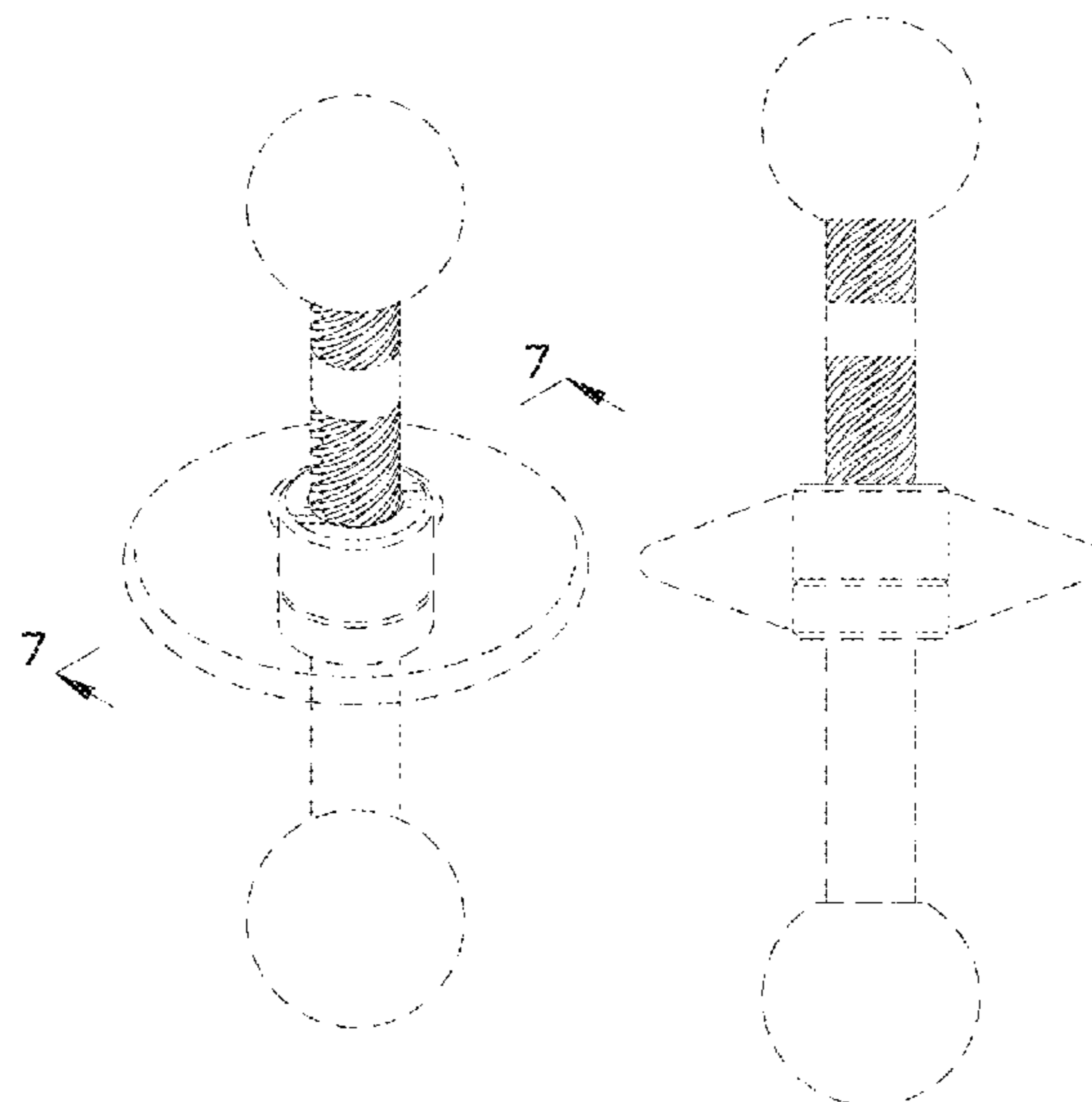
U.S. PATENT DOCUMENTS

931,901 A \* 8/1909 Towne ..... A63H 1/06 446/241  
1,216,775 A \* 2/1917 Conradson ..... F16H 1/16 74/425

The even length dashed lines in the drawings depict portions of the spinning disc and spindle toy that form no part of the claimed design. The alternating length dashed lines in the drawings depict the boundary of the claim; and it is understood that the claim extends to the boundary that forms no part of the claimed design.

(Continued)

**1 Claim, 1 Drawing Sheet**



(56)

References Cited

U.S. PATENT DOCUMENTS

1,415,016 A \* 5/1922 Brown ..... B23F 13/04  
451/219  
1,683,758 A \* 9/1928 Candee ..... B23F 15/06  
74/416  
1,971,260 A \* 8/1934 Guest ..... F16H 55/22  
74/458  
2,417,565 A \* 3/1947 Norvell ..... A63B 65/12  
446/241  
2,717,983 A \* 9/1955 Fay ..... H03J 1/06  
336/131  
2,961,796 A \* 11/1960 Davis ..... A63H 33/22  
273/109  
D246,130 S \* 10/1977 Koblick ..... D21/466  
4,279,173 A \* 7/1981 Krebs ..... F16H 25/2006  
74/409  
D260,103 S \* 8/1981 Appel ..... D11/157  
4,440,399 A \* 4/1984 Smith ..... A63B 63/06  
273/348.4  
4,618,297 A \* 10/1986 Bishop ..... B23F 3/00  
409/58  
5,099,805 A \* 3/1992 Ingalls ..... F01L 1/042  
123/90.15  
5,219,146 A \* 6/1993 Thompson ..... F16K 7/061  
251/7  
5,735,724 A \* 4/1998 Udagawa ..... A63H 13/20  
40/409  
5,827,107 A \* 10/1998 Bears ..... A63H 1/20  
446/263  
6,592,423 B1 \* 7/2003 Boyle ..... A63H 33/22  
362/323  
7,866,225 B2 \* 1/2011 Oberle ..... B60N 2/067  
74/427  
8,567,280 B2 \* 10/2013 Bogar ..... F16H 1/163  
74/424.5  
8,794,087 B2 \* 8/2014 Wu ..... F16H 25/2015  
74/424.71  
D796,563 S \* 9/2017 Sharivker ..... D15/139  
2002/0139210 A1 \* 10/2002 Blanchard ..... F16H 1/16  
74/425  
2003/0031497 A1 \* 2/2003 Ohba ..... A45D 40/04  
401/88  
2004/0129102 A1 \* 7/2004 Rennen ..... F02D 9/1065  
74/425

2008/0099615 A1 \* 5/2008 Steiner ..... B64C 1/1484  
244/129.3  
2009/0304478 A1 \* 12/2009 Jung ..... F16B 39/30  
411/246  
2012/0097505 A1 \* 4/2012 Berger ..... B65G 21/16  
198/836.3  
2012/0192668 A1 \* 8/2012 Hsu ..... F16H 25/2214  
74/424.89  
2013/0178131 A1 \* 7/2013 Wudtke ..... A63H 13/00  
446/129  
2015/0217676 A1 \* 8/2015 Tajima ..... B60Q 1/076  
74/89.14

FOREIGN PATENT DOCUMENTS

CN 303842563 \* 9/2016  
DE 360879 C \* 10/1922 ..... A63H 1/06  
DE 29515347 U1 \* 11/1995 ..... A63H 1/00  
DE 102015209600 A1 \* 12/2016 ..... F16H 25/2204  
GB 434382 A \* 8/1935 ..... F16K 27/04  
KR 300885380.0000 \* 12/2016

OTHER PUBLICATIONS

Ojade Magnetic Mechanics Gravity Moondrop Fidget Spinner Toys (3PCS). (n.d.). Retrieved Mar. 29, 2018, from <http://www.dx.com/p/ojade-magnetic-mechanics-gravity-moondrop-fidget-spinner-toys-3pcs-467958#.WoH3O6inGUk> (Year: 2018).\*

Fat Brain Toys Kids Spinagain Toy: Toys & Games, (n.d.). Retrieved Mar. 29, 2018, from <https://www.amazon.com/Fat-Brain-Toys-Kids-Spinagain/dp/B016F5QJQW> (Year: 2018).\*

Ball Screw Sfu3205 Standard Accuracy Ball Screw Set With End Machining (n.d.). Retrieved Mar. 29, 2018, from [https://www.alibaba.com/product-detail/Ball-Screw-SFU3205-Standard-Accuracy-Ball\\_60705084571.ht](https://www.alibaba.com/product-detail/Ball-Screw-SFU3205-Standard-Accuracy-Ball_60705084571.ht) (Year: 2018).\*

Nut Off Bolt Screw Close Up Magic Trick Micro Psychic Rotating. (n.d.). Retrieved Mar. 29, 2018, from [https://www.banggood.com/Nut-Off-Bolt-Screw-Close-Up-Magic-Trick-Micro-Psychic-Rotating-p-922768.html?cur\\_warehouse=CN](https://www.banggood.com/Nut-Off-Bolt-Screw-Close-Up-Magic-Trick-Micro-Psychic-Rotating-p-922768.html?cur_warehouse=CN) (Year: 2018).\*

Dryspin®—ACME—Trapezoidal (Metric ACME)—High Helix. (n.d.). Retrieved Mar. 29, 2018, from [https://www.igus.com/wpck/17082/drylin\\_trapezgewindemutter#section\\_3](https://www.igus.com/wpck/17082/drylin_trapezgewindemutter#section_3) (Year: 2018).\*

\* cited by examiner

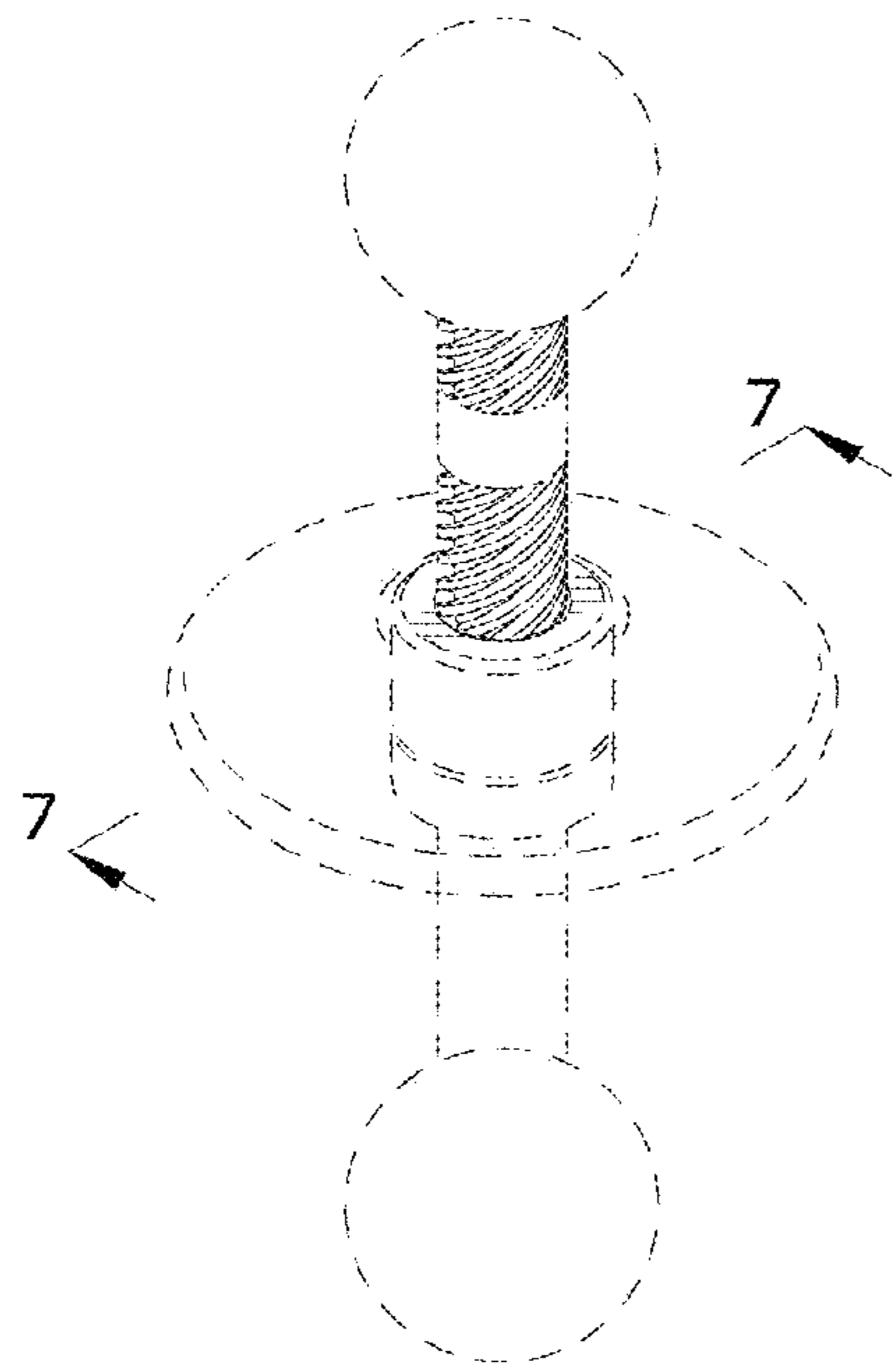


FIG. 1

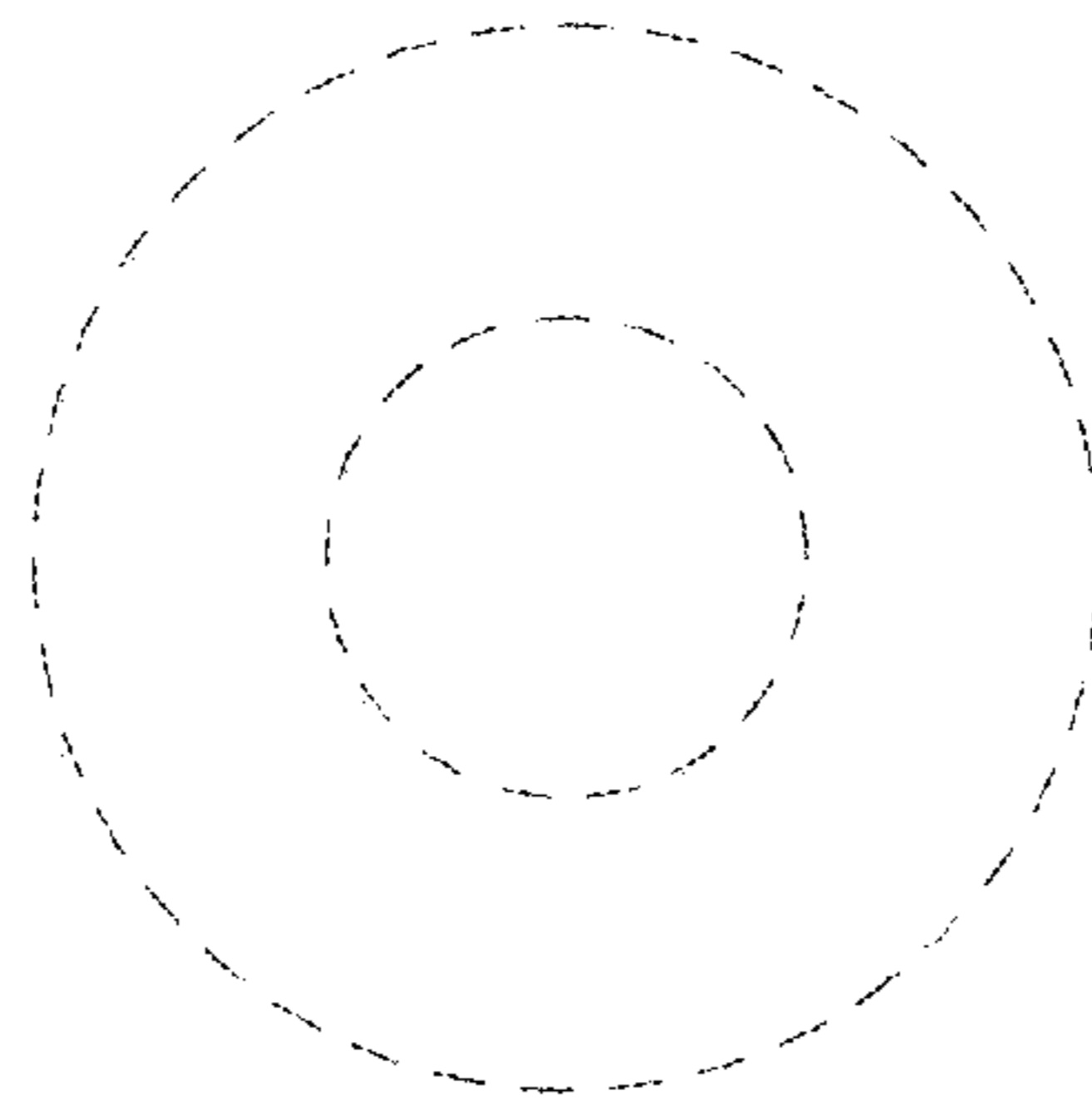


FIG. 2

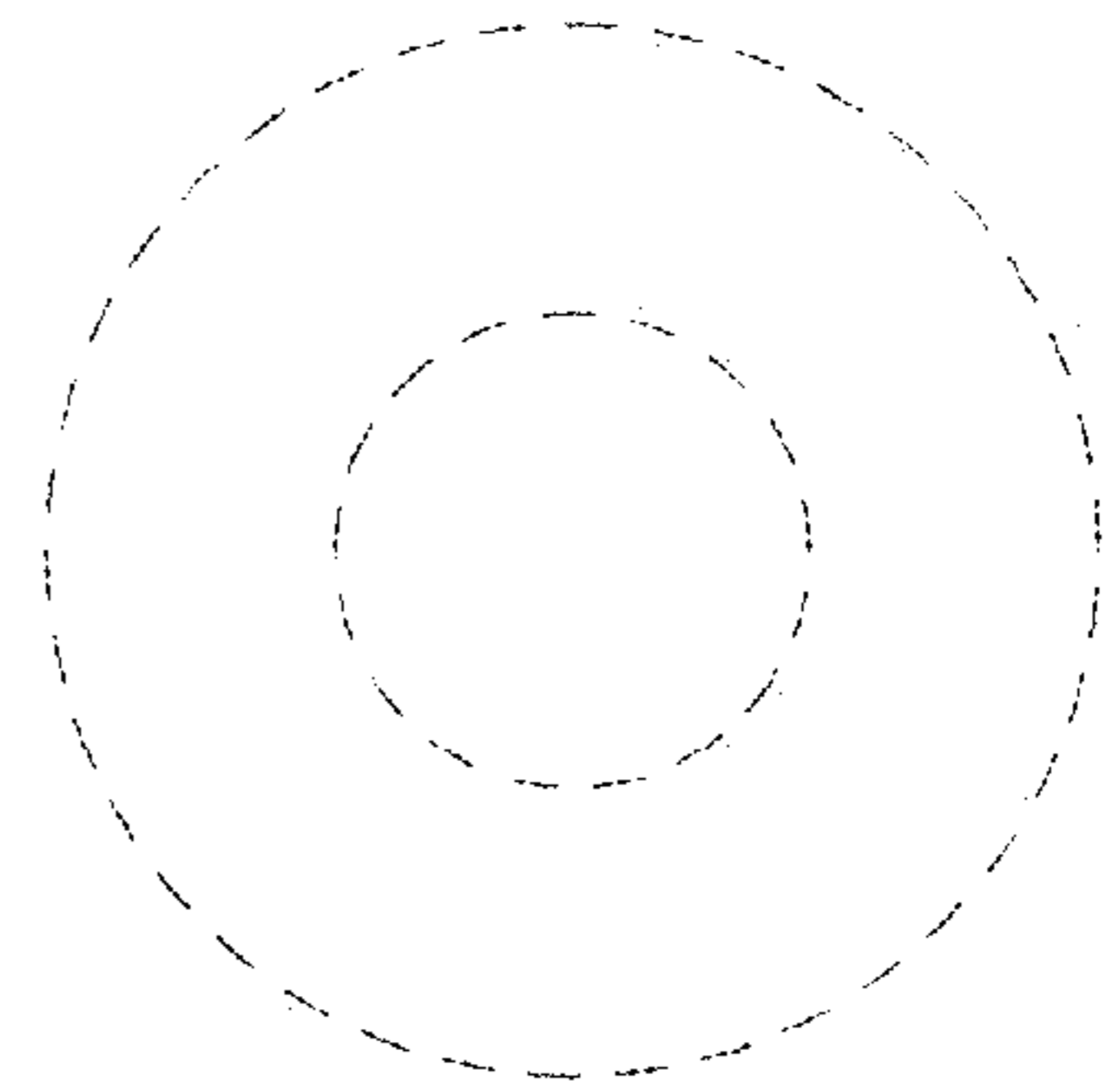


FIG. 3

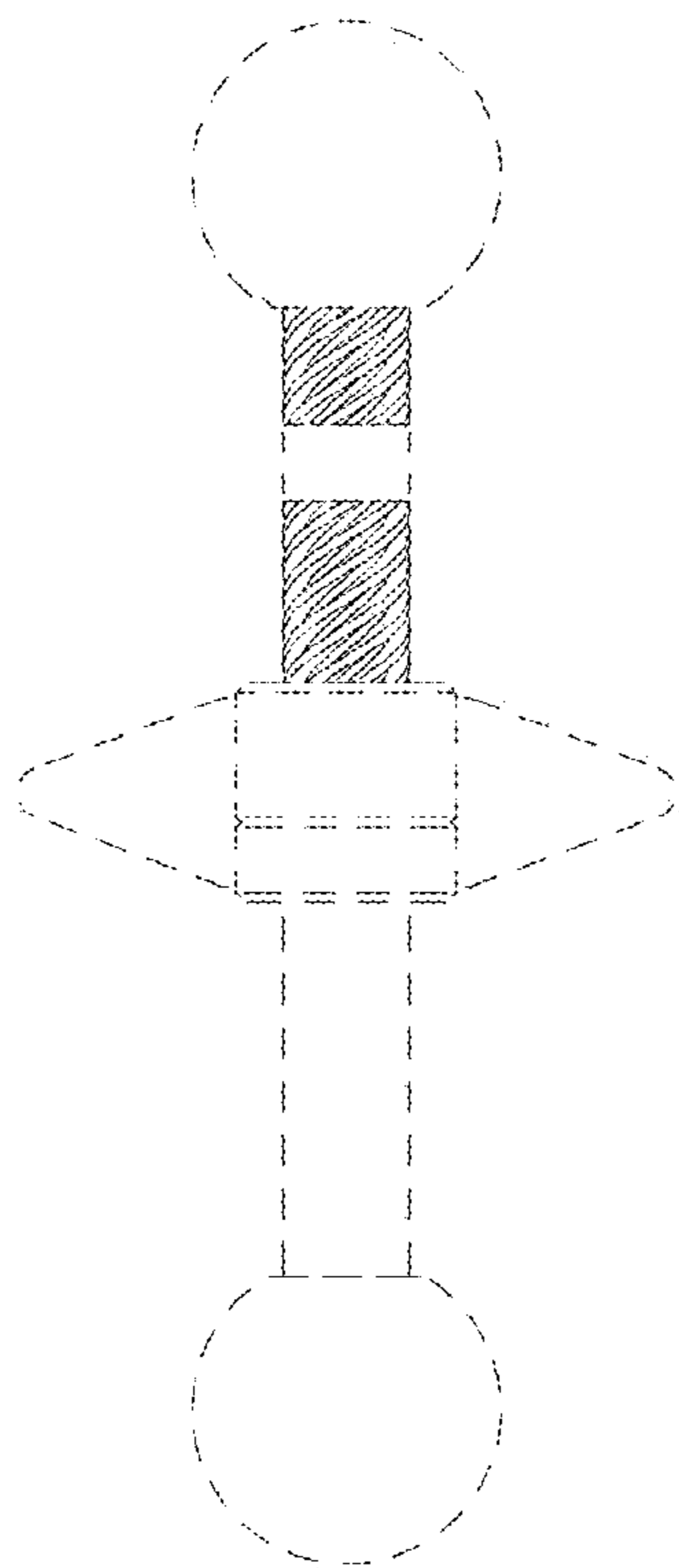


FIG. 4

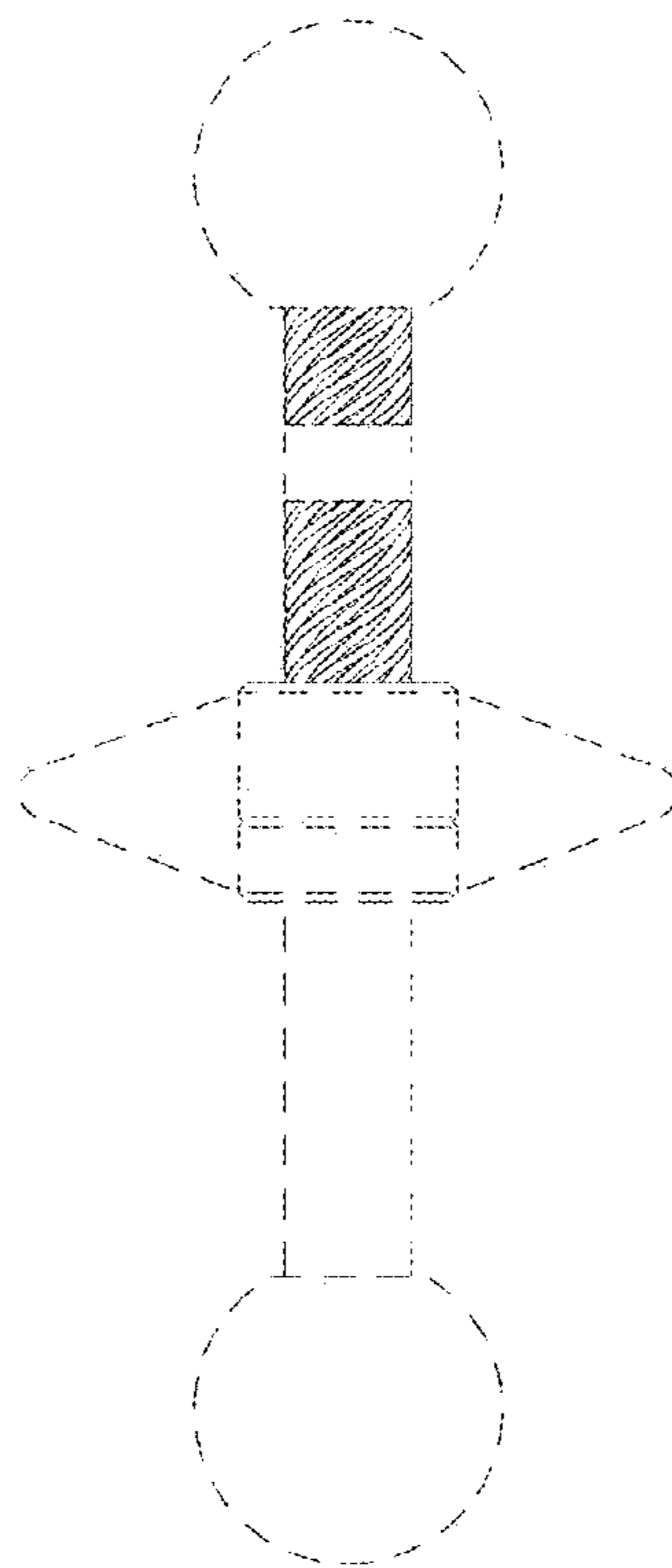


FIG. 5

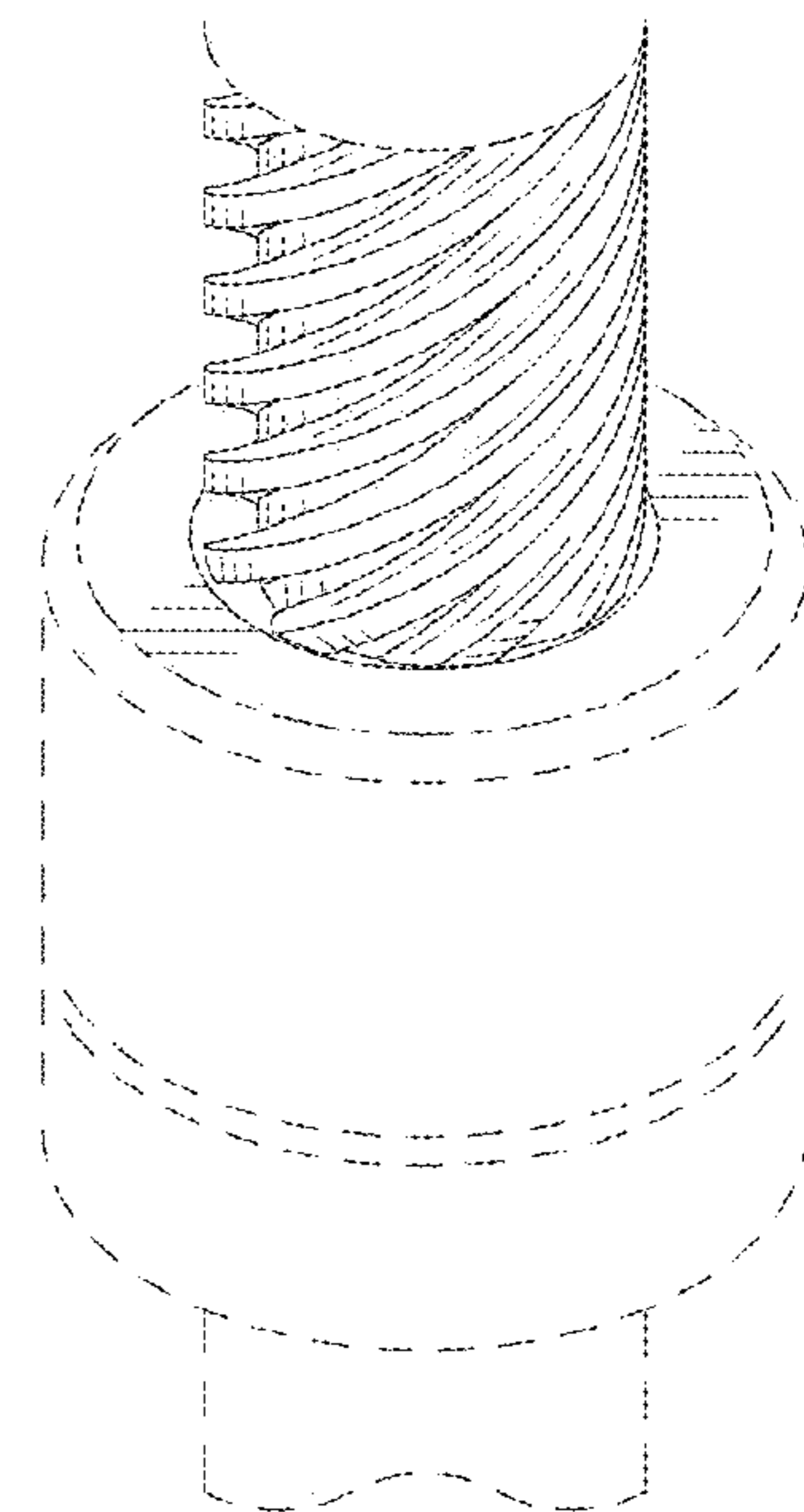


FIG. 6

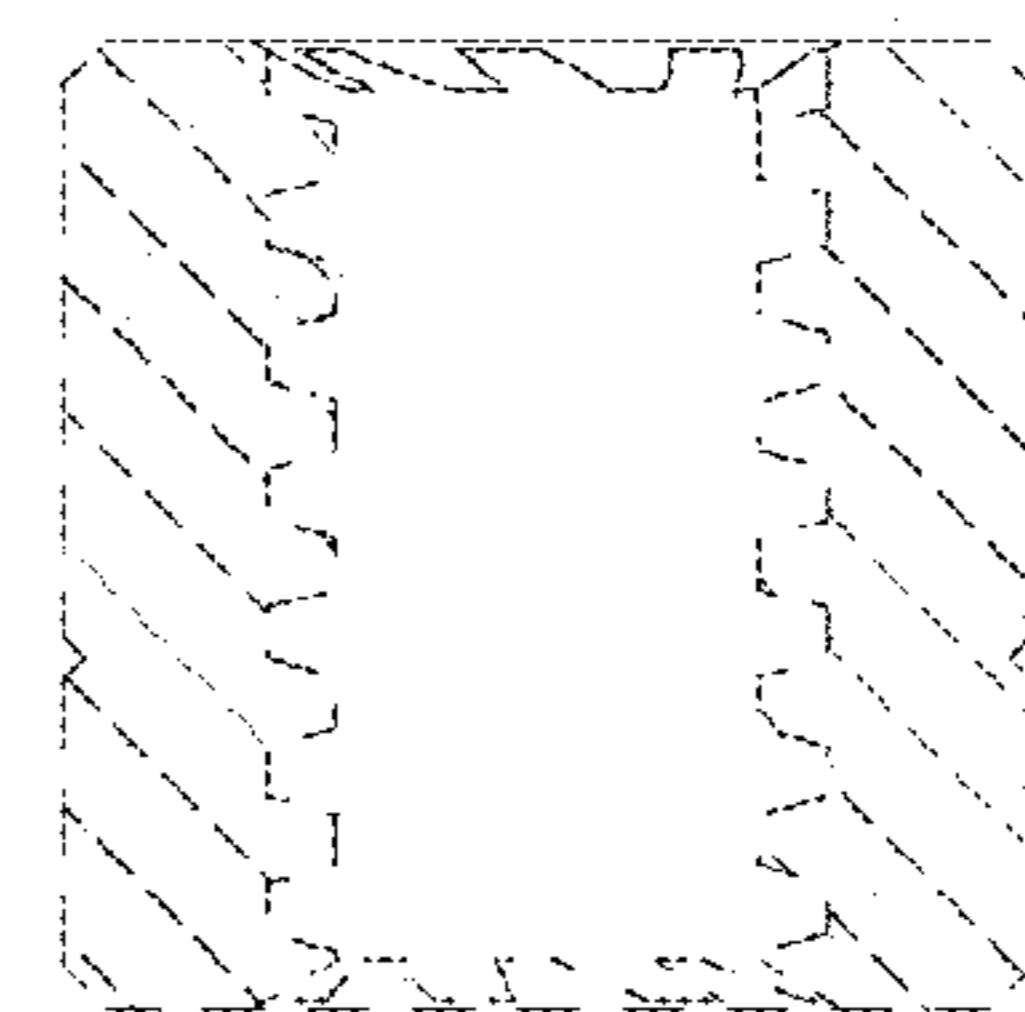


FIG. 7