

US00D966427S

(12) **United States Design Patent** (10) **Patent No.:** **US D966,427 S**
Phillips (45) **Date of Patent:** **** Oct. 11, 2022**

(54) **SEMI-TRUCK RIDING TOY**

FOREIGN PATENT DOCUMENTS

(71) Applicant: **Jack Phillips**, Zion, IL (US)

CN 302856279 * 6/2014
CN 303565605 * 1/2016

(72) Inventor: **Jack Phillips**, Zion, IL (US)

(Continued)

(**) Term: **15 Years**

OTHER PUBLICATIONS

(21) Appl. No.: **29/734,124**

“Mini Kenworth Shriners Truck,” Feb. 20, 2002, evalbum.com, site visited Jan. 27, 2022, URL: <http://www.evalbum.com/351> (Year: 2002).*

(22) Filed: **May 8, 2020**

(Continued)

(51) **LOC (13) Cl.** **21-01**

(52) **U.S. Cl.**

USPC **D21/434**; D21/533; D21/552

(58) **Field of Classification Search**

USPC D21/424, 433, 434, 483, 533, 548, 552;
D12/82, 86, 89, 90, 91, 93

CPC B60R 9/06; B62D 35/00; B60C 2200/20;

B62B 5/0033; A63H 17/162; A63H

17/262; A63H 17/264; A63H 17/38;

A63H 17/004; A63H 17/26; A63H

17/266; A63H 17/36; A63H 29/00; A63H

29/22; A63H 29/24; A63H 30/04

See application file for complete search history.

Primary Examiner — Eric L Goodman

Assistant Examiner — Sarah L Smith

(74) *Attorney, Agent, or Firm* — José W. Jimenez;
Jimenez Law Firm

(57)

CLAIM

The ornamental design for a semi-truck riding toy, as shown and described.

(56) **References Cited**

DESCRIPTION

U.S. PATENT DOCUMENTS

2,006,423 A * 7/1935 Turner A63H 17/06
446/439

2,233,116 A * 2/1941 Voorheis A63H 17/38
446/434

D139,177 S * 10/1944 Hickling D21/558

D139,178 S * 10/1944 Hickling D21/558

D156,244 S * 11/1949 Josefsberg D21/558

D205,838 S * 9/1966 Hesemann D12/95

D280,115 S * 8/1985 Takeuchi D21/558

D291,816 S * 9/1987 Bollinger D21/558

4,708,683 A * 11/1987 Lehmann A63H 17/05
446/434

D352,075 S * 11/1994 Washington D21/434

D380,117 S * 6/1997 Smith D6/571

(Continued)

FIG. 1 is a front perspective view of a semi-truck riding toy showing my new design;

FIG. 2 is a ride side view the semi-truck riding toy thereof;

FIG. 3 is a left-side view of the semi-truck riding toy thereof;

FIG. 4 is a top view of the semi-truck riding toy showing my new design;

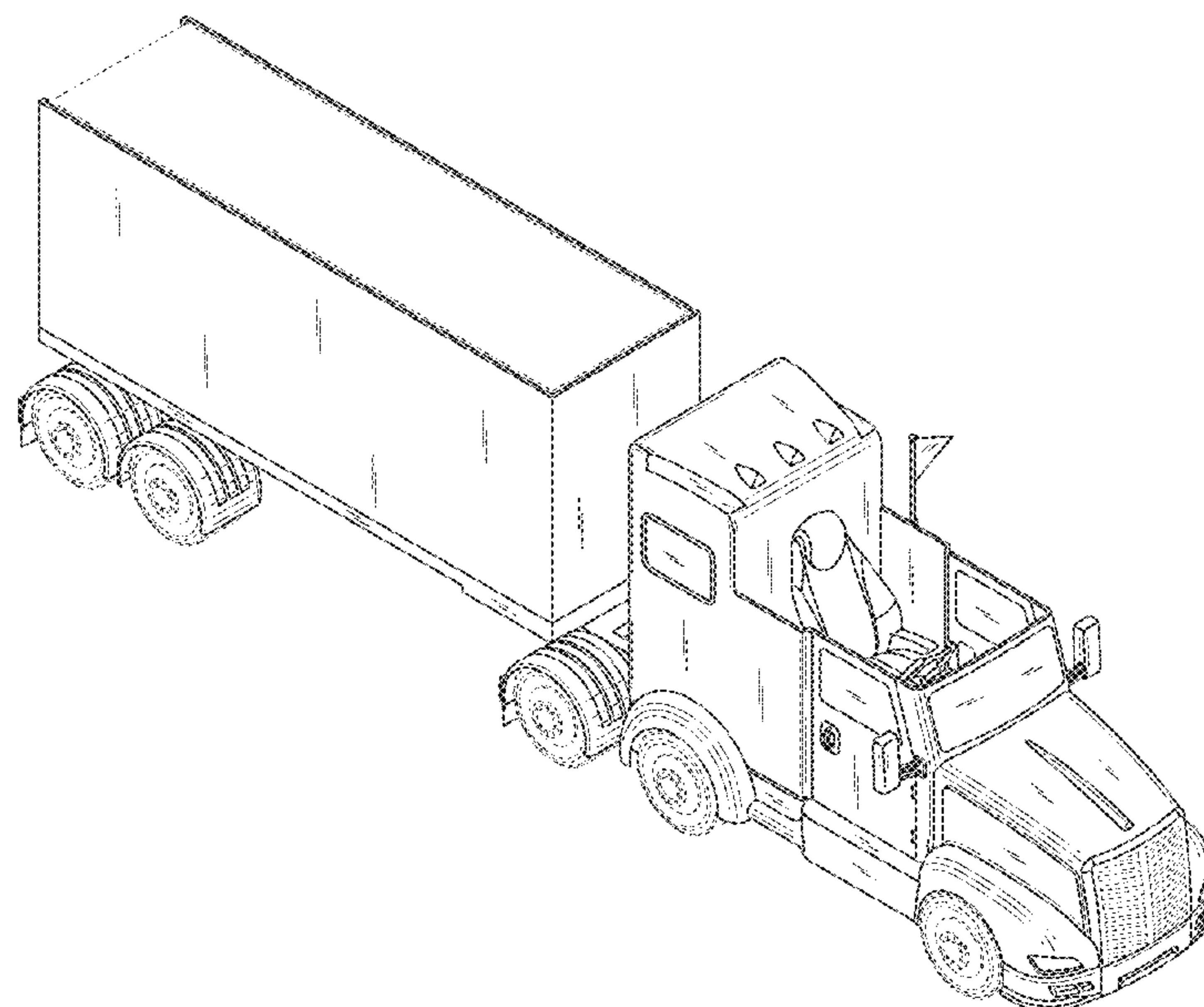
FIG. 5 is a bottom view of the semi-truck riding toy thereof;

FIG. 6 is a front view of the semi-truck riding toy thereof; and,

FIG. 7 is a rear view of the semi-truck riding toy.

The broken lines showing of the semi-truck riding toy depicts portions of the article and form no part of the claimed design.

1 Claim, 7 Drawing Sheets



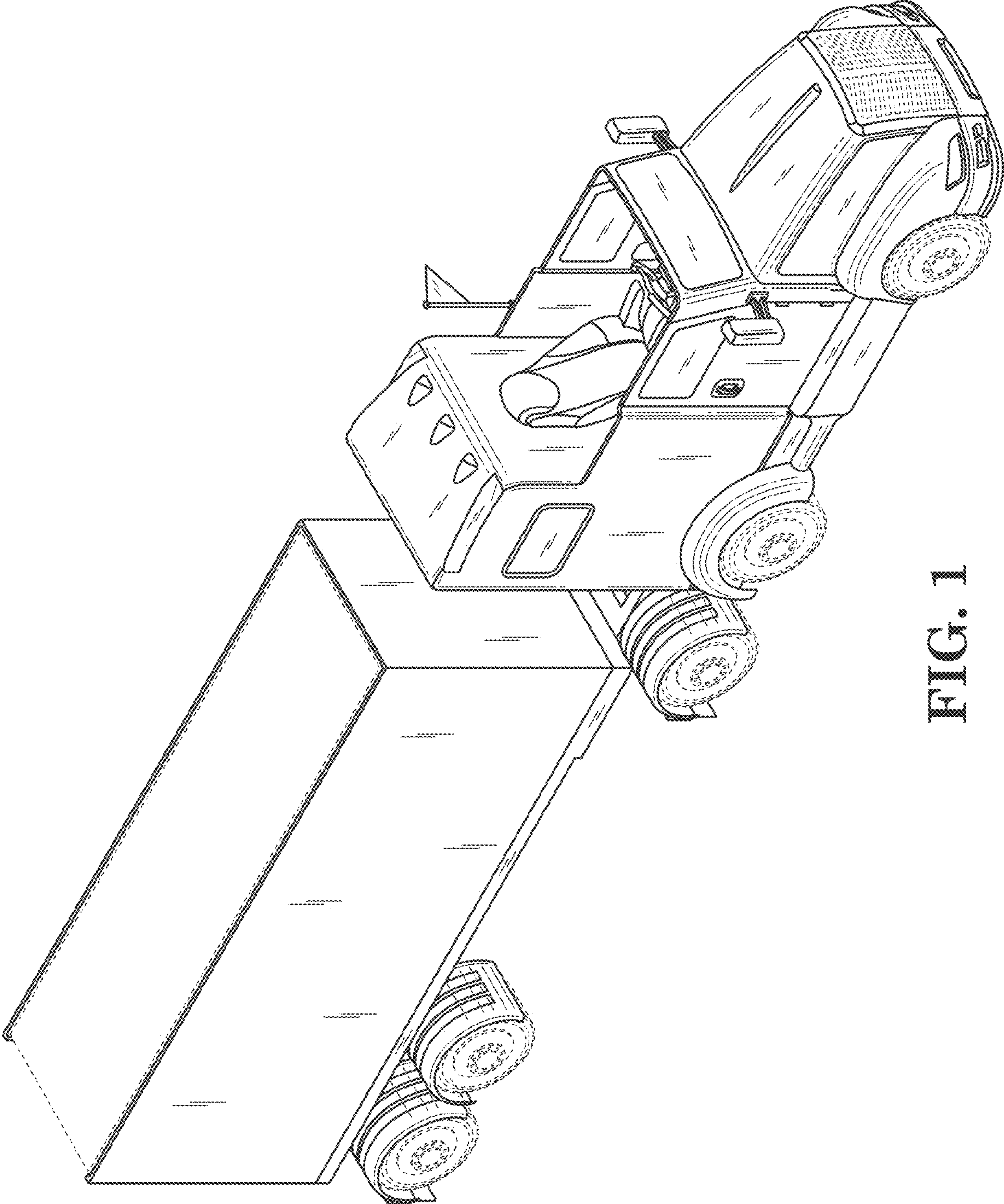


FIG. 1

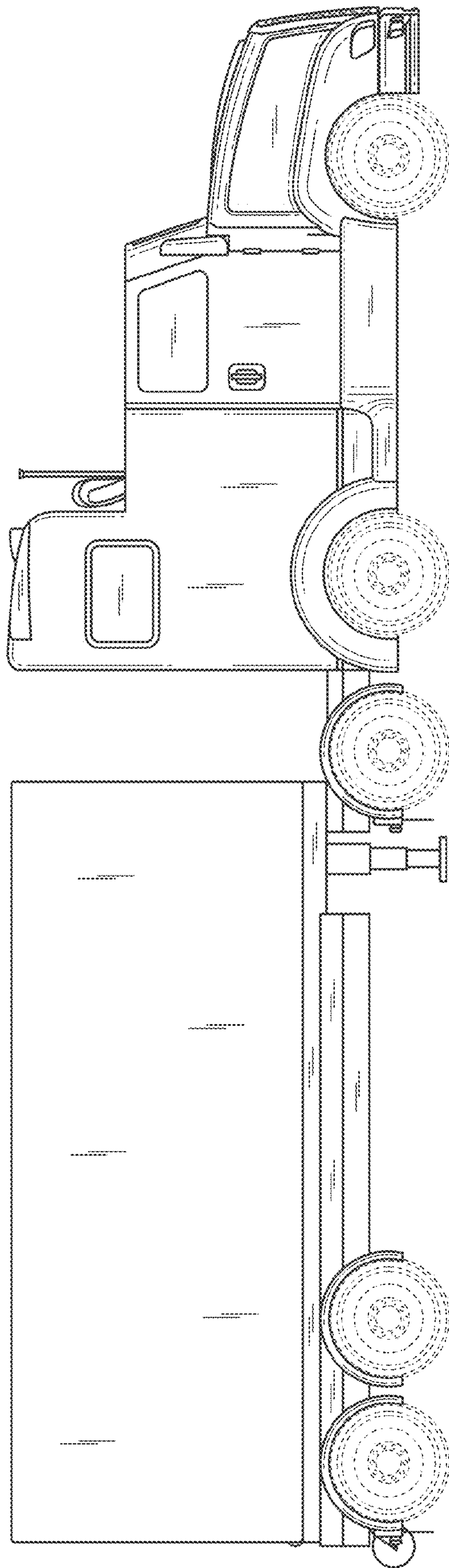


FIG. 2

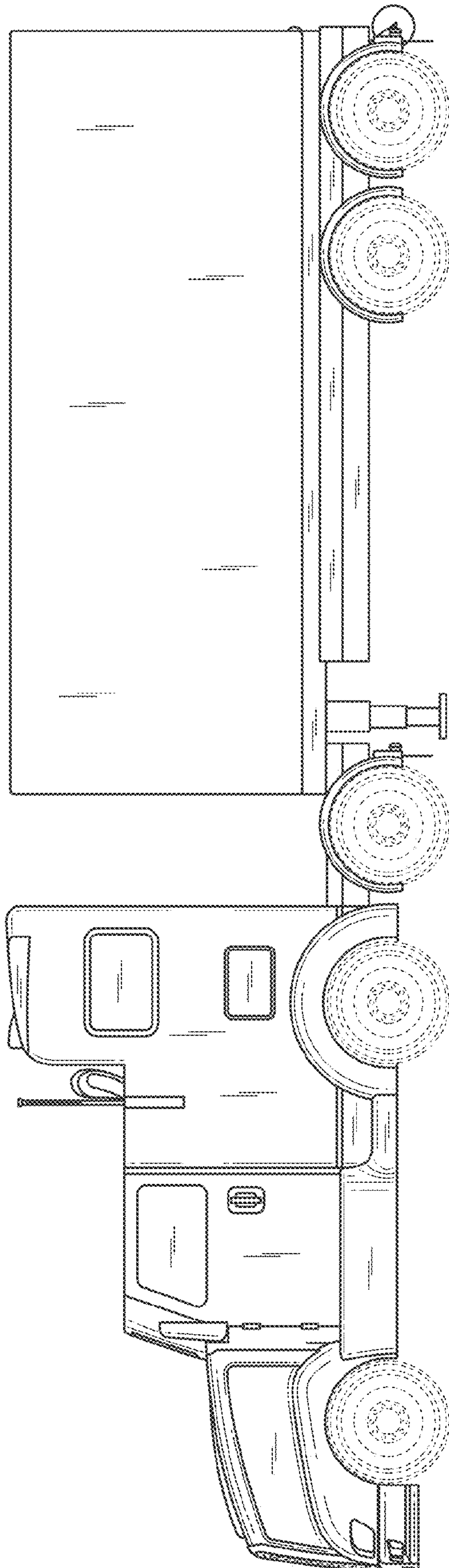


FIG. 3

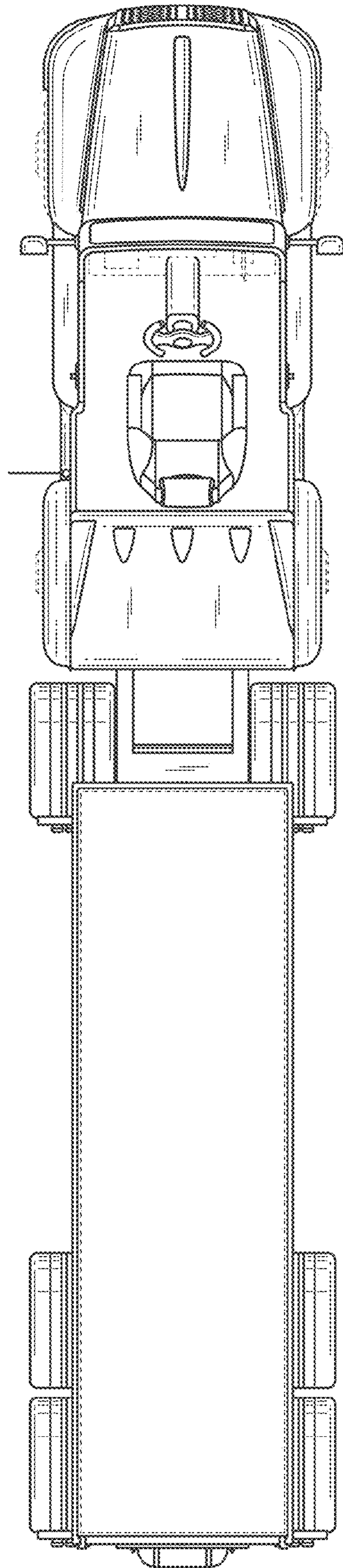


FIG. 4

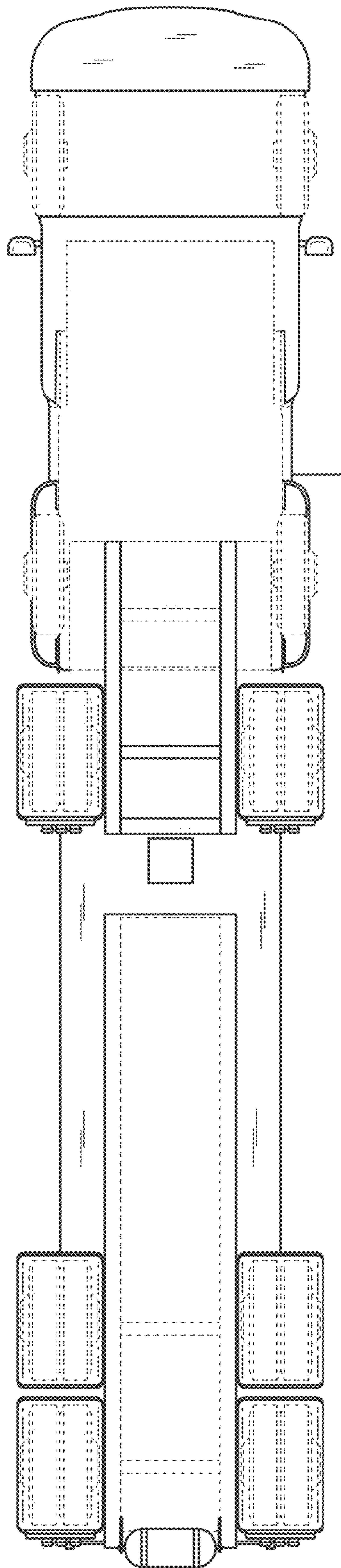


FIG. 5

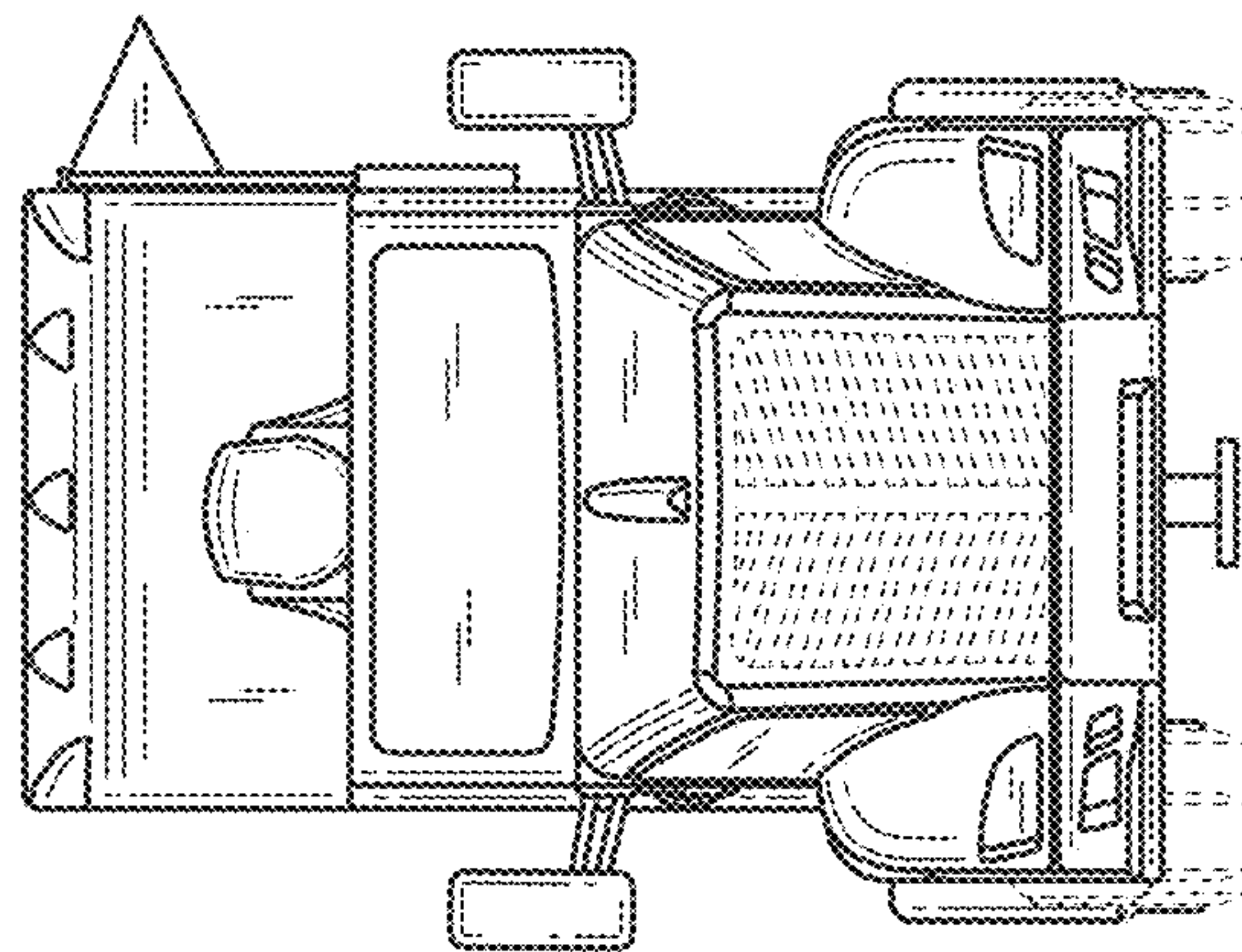


FIG. 6

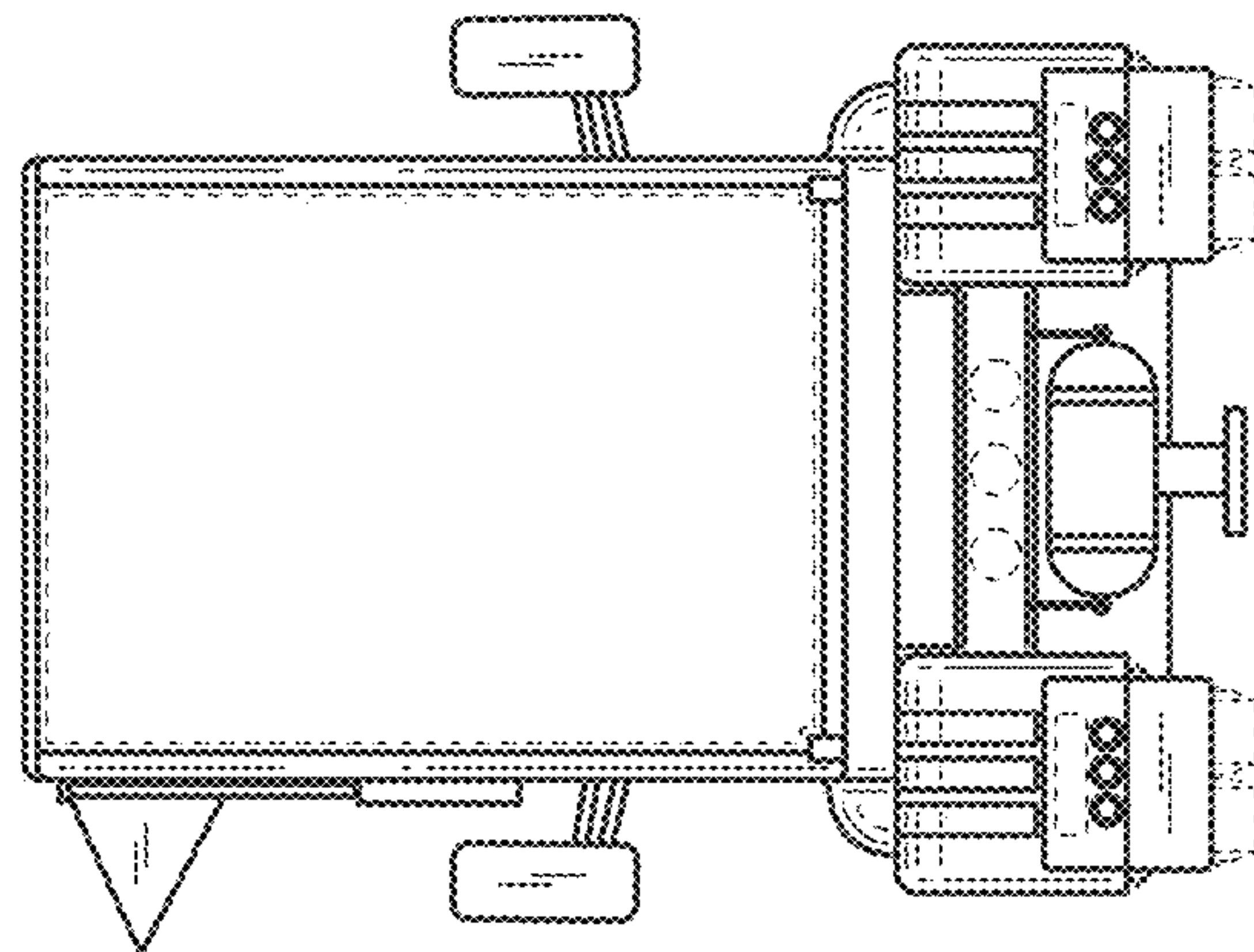


FIG. 7