



US00D966425S

(12) **United States Design Patent**
Chis et al.

(10) **Patent No.:** **US D966,425 S**

(45) **Date of Patent:** **** *Oct. 11, 2022**

(54) **KICK SCOOTER**

(71) Applicants: **Mihnea Iustinian Chis**, Arad (RO);
Ionut Nicolae Predescu, Timisoara (RO)

(72) Inventors: **Mihnea Iustinian Chis**, Arad (RO);
Ionut Nicolae Predescu, Timisoara (RO)

(*) Notice: This patent is subject to a terminal disclaimer.

(**) Term: **15 Years**

(21) Appl. No.: **29/715,384**

(22) Filed: **Dec. 2, 2019**

(51) **LOC (13) Cl.** **21-01**

(52) **U.S. Cl.**
USPC **D21/423**

(58) **Field of Classification Search**
USPC D21/419, 421, 423, 432, 435, 760, 763,
D21/765, 771; D12/1, 110
CPC B62K 3/002; B62K 9/00; B62K 2202/00;
B62K 15/00; B62K 2015/001; B62K
2015/003; B60Y 2200/126
See application file for complete search history.

(56) **References Cited**

U.S. PATENT DOCUMENTS

3,212,791 A * 10/1965 Edwins B62K 11/06
280/275
D798,959 S * 10/2017 Le D21/423

D803,948 S * 11/2017 Chis D21/423
D814,978 S * 4/2018 Niu D12/110
D830,911 S * 10/2018 Li D12/110
D832,931 S * 11/2018 Gudushauri D21/423
D846,031 S * 4/2019 Droge D21/423
D892,937 S * 8/2020 Chis D21/423
10,780,938 B1 * 9/2020 Van Houten B62J 99/00
D900,238 S * 10/2020 Van Houten D21/423
D900,239 S * 10/2020 Van Houten D21/423
D900,240 S * 10/2020 Van Houten D21/423
D920,848 S * 6/2021 Kuehne D12/110
2019/0382072 A1 * 12/2019 Allen A63C 17/265
2021/0086859 A1 * 3/2021 Van Houten B62J 45/41
2021/0086860 A1 * 3/2021 Van Houten B62L 1/00
2021/0086862 A1 * 3/2021 Vandenbussche B62K 19/40

* cited by examiner

Primary Examiner — Cynthia M. Chin

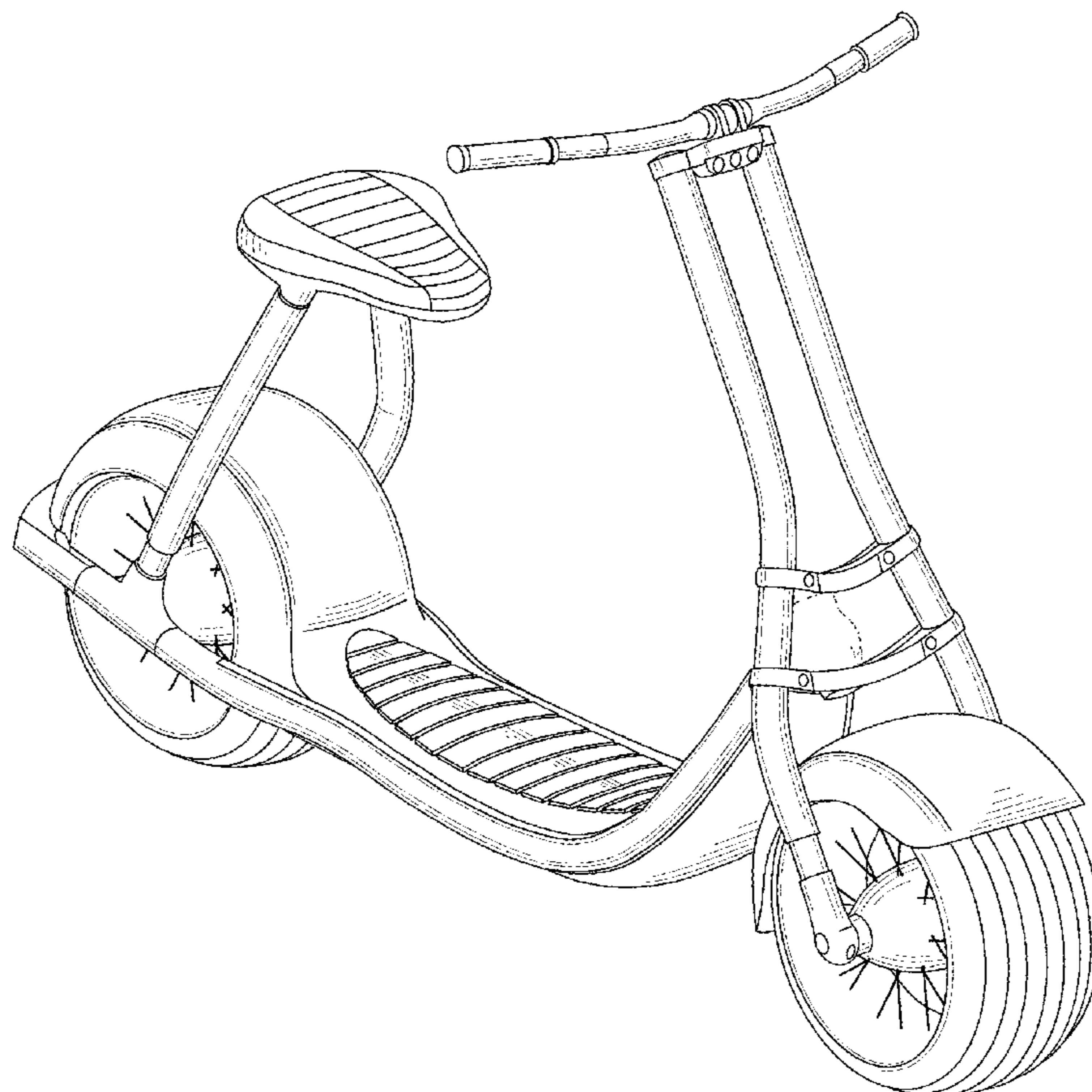
(57) **CLAIM**

The ornamental design for a kick scooter, as shown and described.

DESCRIPTION

FIG. 1 is a perspective view of the kick scooter showing our new design;
FIG. 2 is a front view thereof;
FIG. 3 is a back view thereof;
FIG. 4 is a top view thereof;
FIG. 5 is a bottom view thereof;
FIG. 6 is a right-side view thereof; and,
FIG. 7 is a left-side view thereof.
The broken lines are for the purpose of illustrating portions of the kick scooter that form no part of the claimed design.

1 Claim, 7 Drawing Sheets



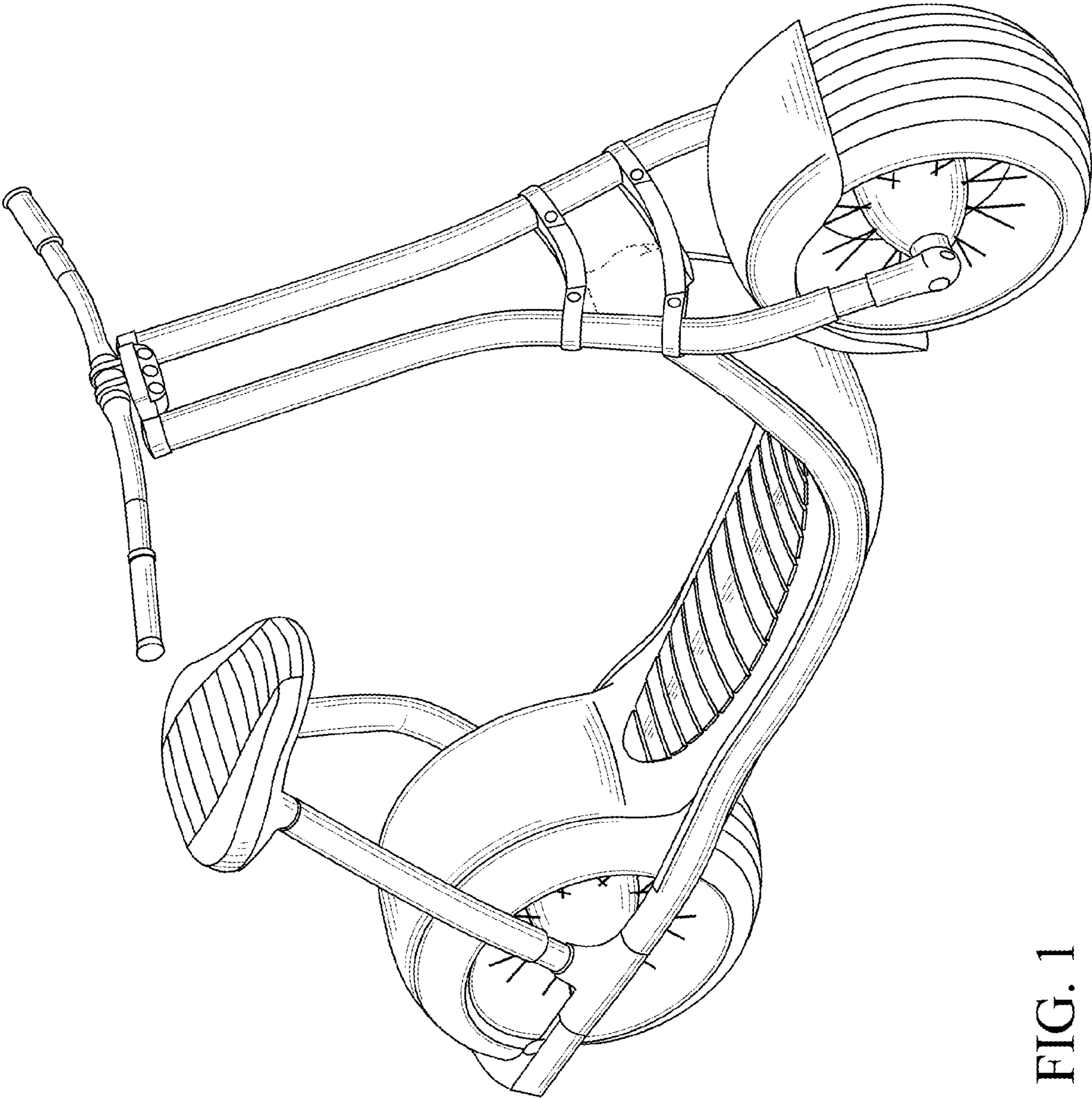


FIG. 1

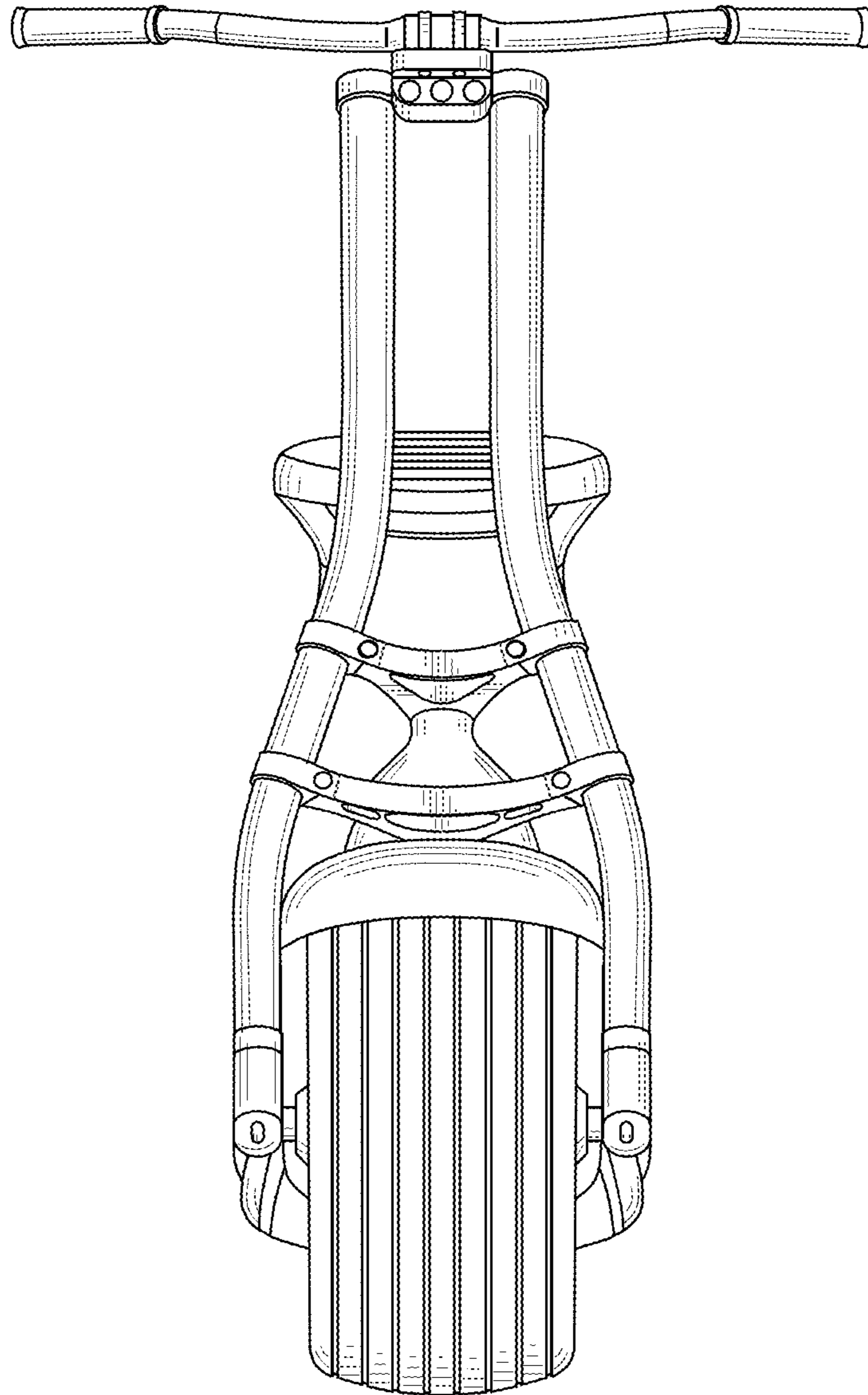


FIG. 2

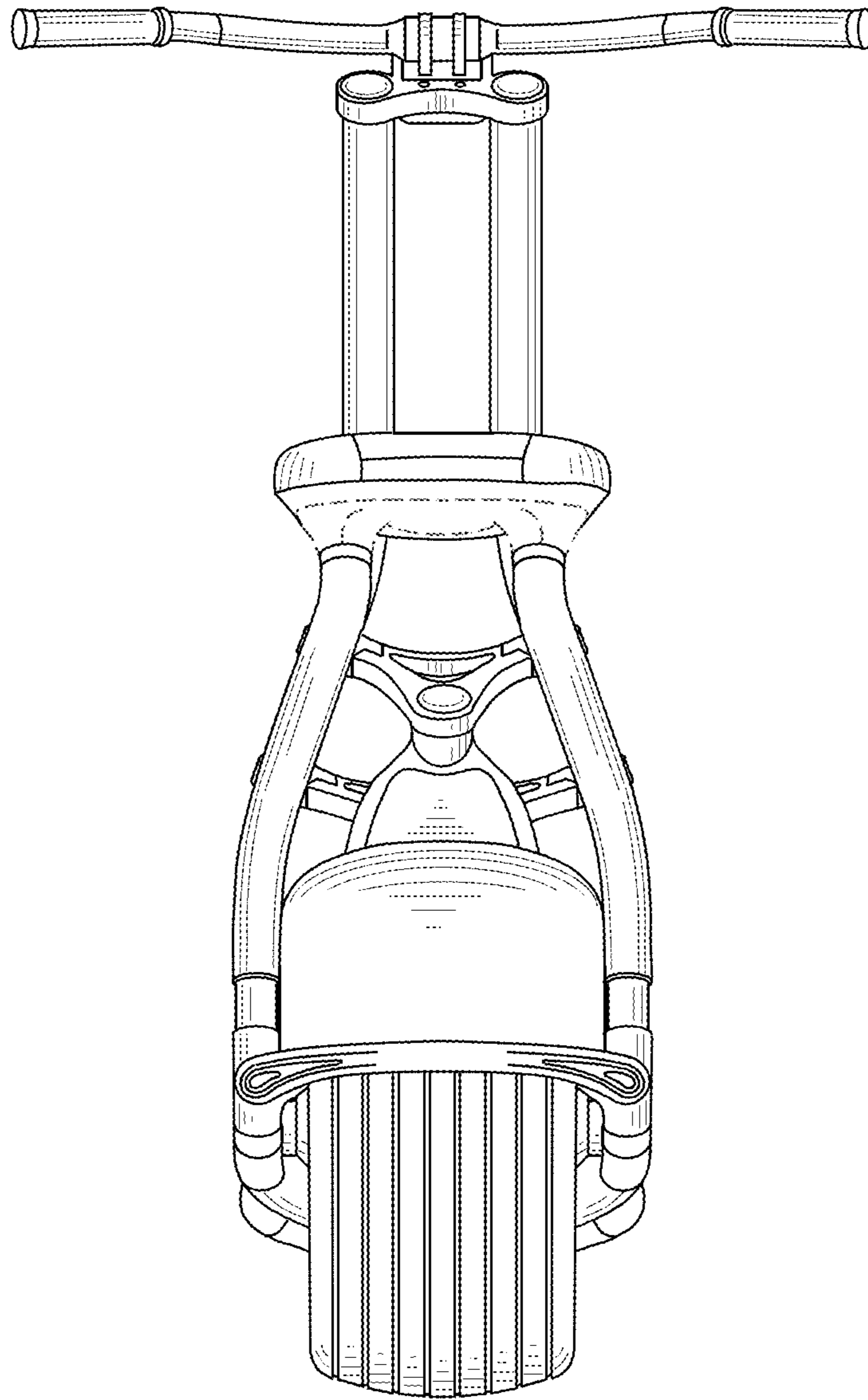


FIG. 3

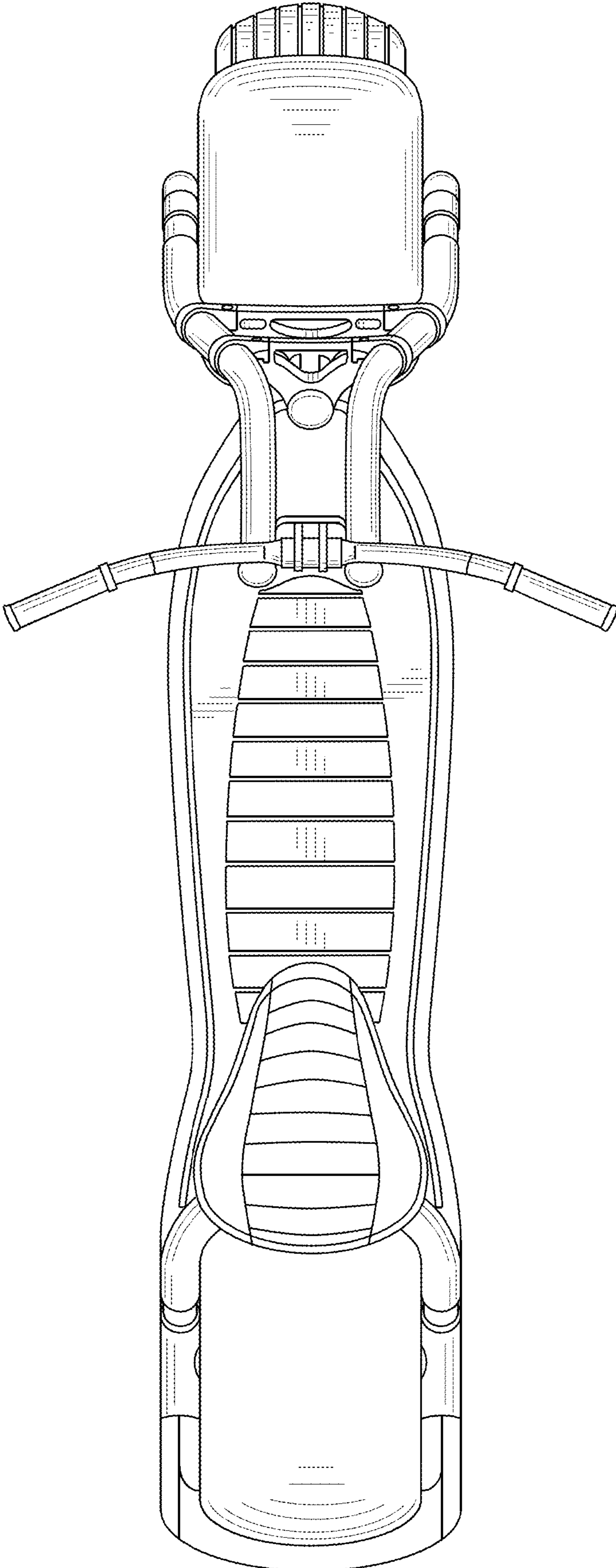


FIG. 4

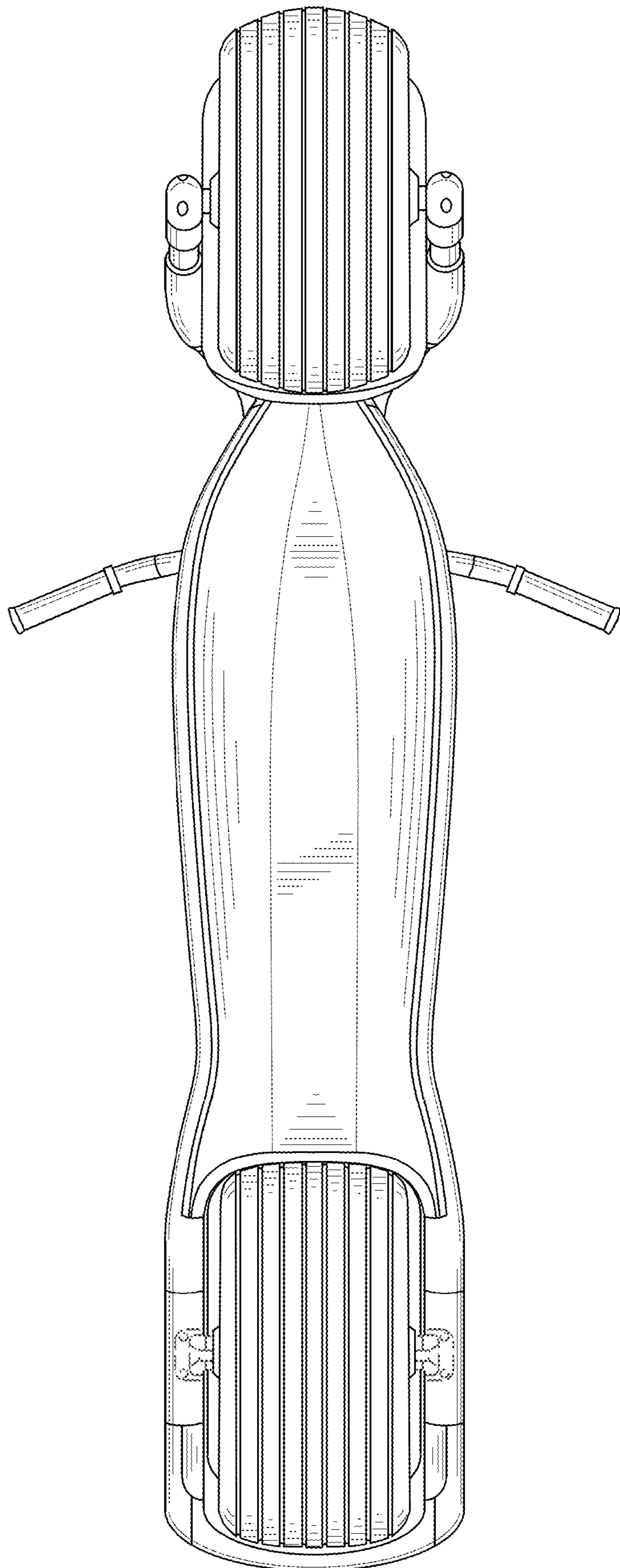


FIG. 5

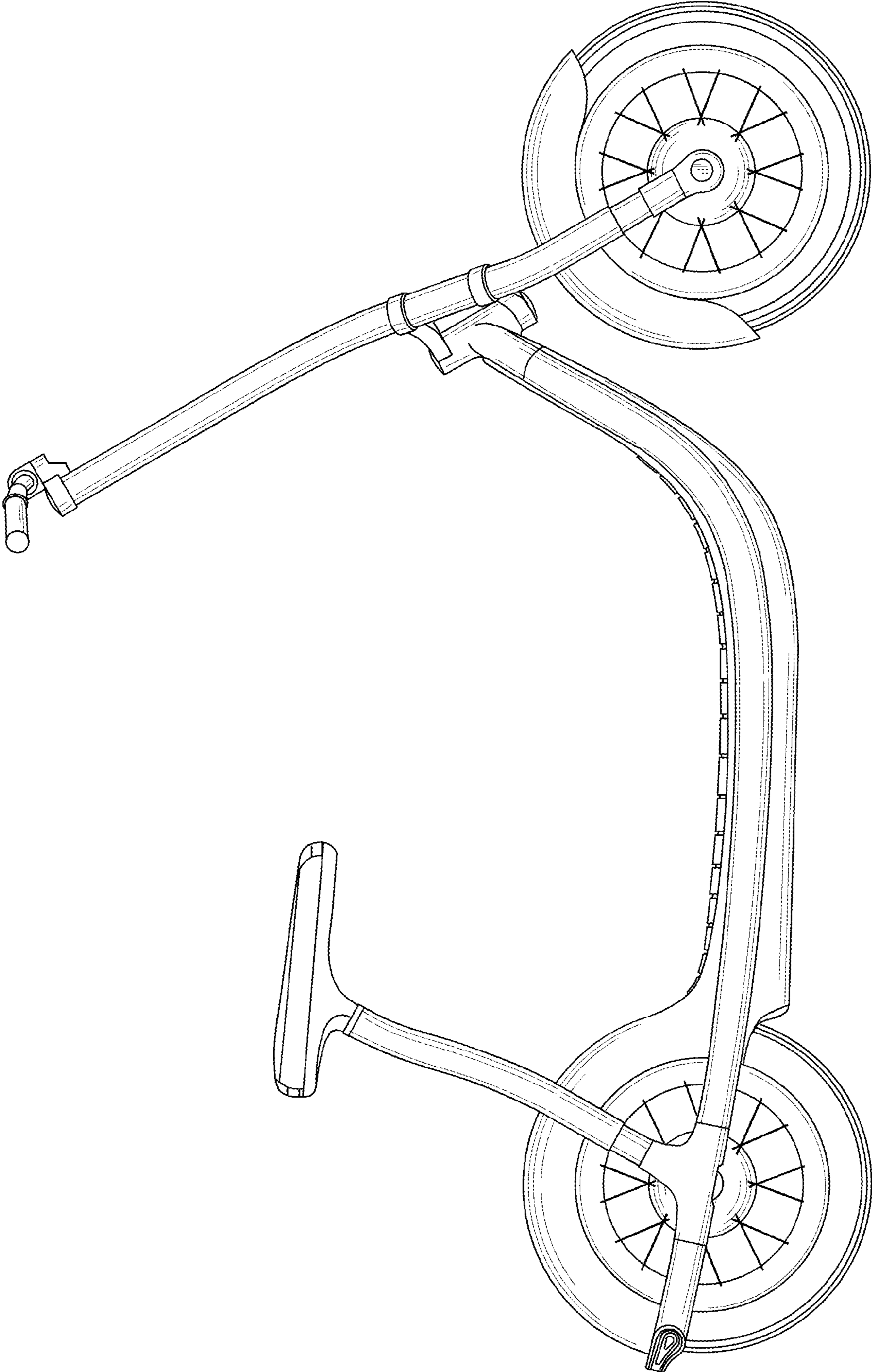


FIG. 6

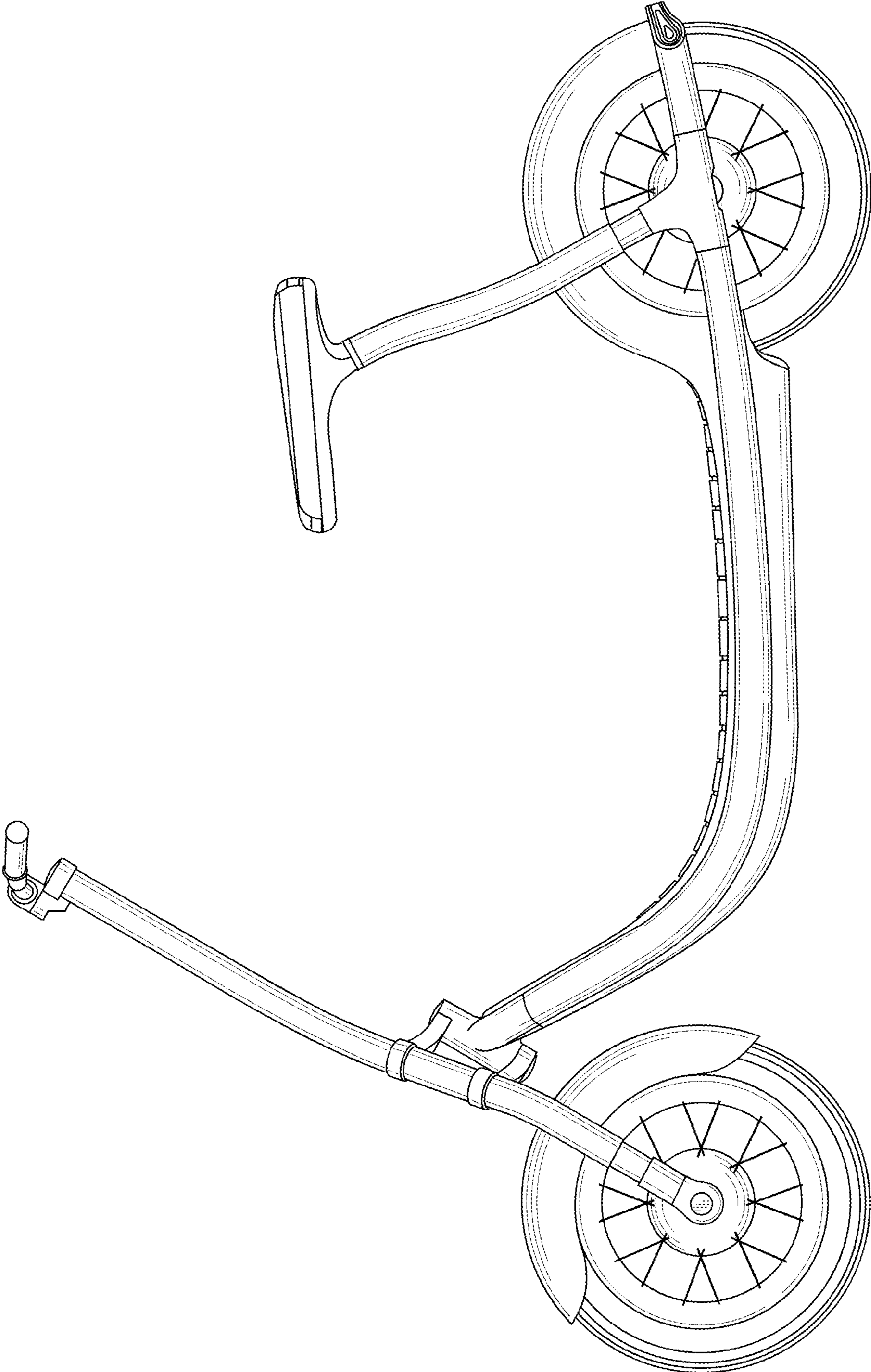


FIG. 7