

US00D966424S

(12) **United States Design Patent** (10) **Patent No.:** **US D966,424 S**
Lo (45) **Date of Patent:** **** Oct. 11, 2022**

(54) **HANDHELD BUBBLE MACHINE**
(71) Applicant: **Wing Hing Manufacturing Company Limited, Hong Kong (CN)**
(72) Inventor: **Wai Chung Lo, Hong Kong (CN)**
(73) Assignee: **WING HING MANUFACTURING COMPANY LIMITED, Hong Kong (CN)**
(**) Term: **15 Years**
(21) Appl. No.: **29/761,233**
(22) Filed: **Dec. 8, 2020**
(51) **LOC (13) Cl.** **21-01**
(52) **U.S. Cl.**
USPC **D21/401**
(58) **Field of Classification Search**
USPC D21/401, 402, 473, 405, 456, 513, 398
CPC A63H 33/28; A63H 33/00; A63J 5/025;
A63J 5/02
See application file for complete search history.

D549,209 S * 8/2007 Bauman D14/155
D595,771 S * 7/2009 Oas D19/906
D605,321 S * 12/2009 Schupp D26/40
D615,529 S * 5/2010 Kearns D14/207
D622,327 S * 8/2010 Roos D26/38
D701,123 S * 3/2014 Lo D9/552
D798,110 S * 9/2017 Valenti D7/529

(Continued)

OTHER PUBLICATIONS

ArtCreativity Light Up Bubble Blower Wand. Date First Available: Oct. 12, 2019. Retrieved from internet: <<https://www.amazon.ca/ArtCreativity-Light-Bubble-Blower-Wand/dp/B07MH3GKYN>> [site visited Feb. 28, 2022] (Year: 2019).*

Primary Examiner — Katherine Glennon
Assistant Examiner — Yuan Yuan
(74) *Attorney, Agent, or Firm* — Robert L. Epstein;
Epstein Drangel LLP

(57) **CLAIM**

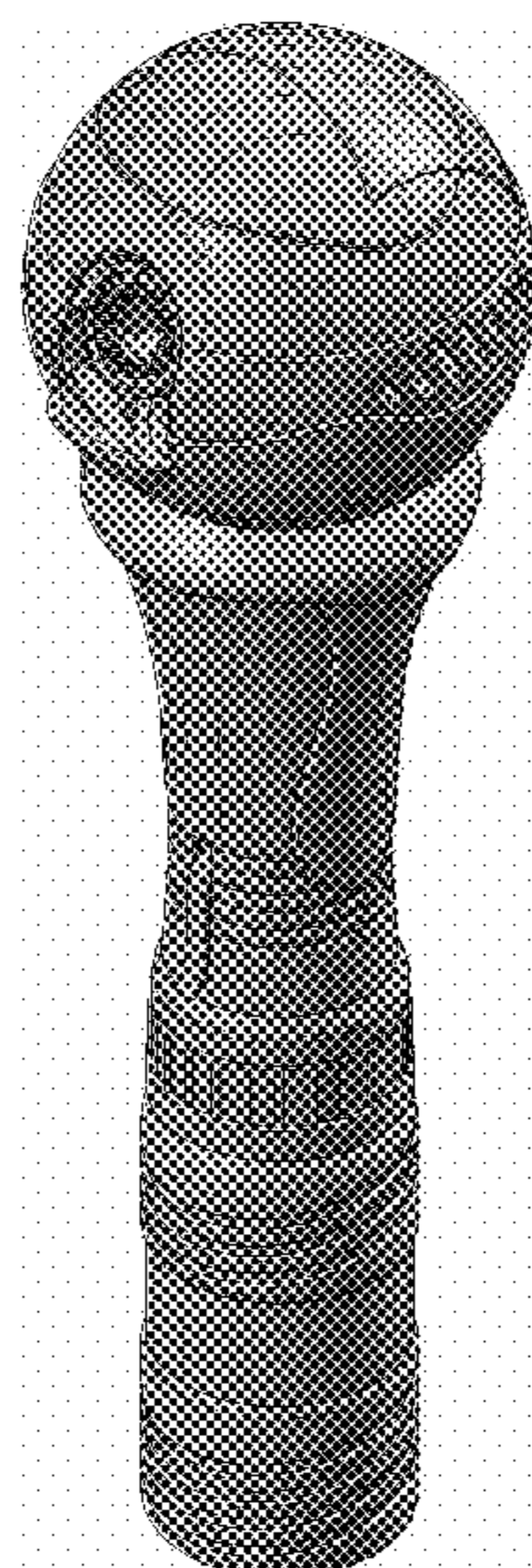
The ornamental design of a handheld bubble machine, as shown and described.

DESCRIPTION

FIG. 1 is a top front right perspective view of a handheld bubble machine;
FIG. 2 is a bottom front left perspective view thereof;
FIG. 3 is a top rear right perspective view thereof;
FIG. 4 is a bottom rear left perspective view thereof;
FIG. 5 is a front elevation view thereof;
FIG. 6 is a rear elevational view thereof;
FIG. 7 is a left elevational view thereof;
FIG. 8 is a right elevational view thereof;
FIG. 9 is a top plan view thereof; and,
FIG. 10 is a bottom plan view thereof.
The broken lines in the drawings depict portions of the handheld bubble machine that form no part of the claimed design.

1 Claim, 9 Drawing Sheets

(56) **References Cited**
U.S. PATENT DOCUMENTS
4,344,184 A * 8/1982 Edwards H04B 1/04
343/702
D324,049 S * 2/1992 Endo D14/228
D357,016 S * 4/1995 Li D14/227
5,507,401 A * 4/1996 Huang A45D 34/02
215/354
D397,119 S * 8/1998 Okon D14/228
D425,935 S * 5/2000 Schimmel D21/402
D426,264 S * 6/2000 Schimmel D21/402
D445,831 S * 7/2001 Lindner D19/162
D449,041 S * 10/2001 Koike D14/228
6,422,974 B1 * 7/2002 Schimmel A63B 23/16
D19/126
D498,232 S * 11/2004 Ruhrig D14/228
D504,678 S * 5/2005 Ruhrig D14/228
D537,877 S * 3/2007 Bickert D19/912



(56)

References Cited

U.S. PATENT DOCUMENTS

D820,356 S * 6/2018 Mantis D19/189
D836,345 S * 12/2018 Courtney D4/101
D836,346 S * 12/2018 Courtney D4/101
D863,774 S * 10/2019 Courtney D4/101
D863,775 S * 10/2019 Courtney D4/101
D863,776 S * 10/2019 Courtney D4/101
D863,777 S * 10/2019 Courtney D4/101
D884,787 S * 5/2020 Xu D19/906
10,779,068 B1 * 9/2020 Williams, Sr. H04R 1/04
D933,757 S * 10/2021 Wen D21/513
2006/0116048 A1 * 6/2006 Choi A63H 33/28
446/15
2016/0361664 A1 * 12/2016 Chan A63H 33/28
2019/0111358 A1 * 4/2019 Kelly A63H 33/28
2020/0054959 A1 * 2/2020 Weigl, Jr. A63H 33/28
2021/0379503 A1 * 12/2021 Kelly A63H 33/28

* cited by examiner

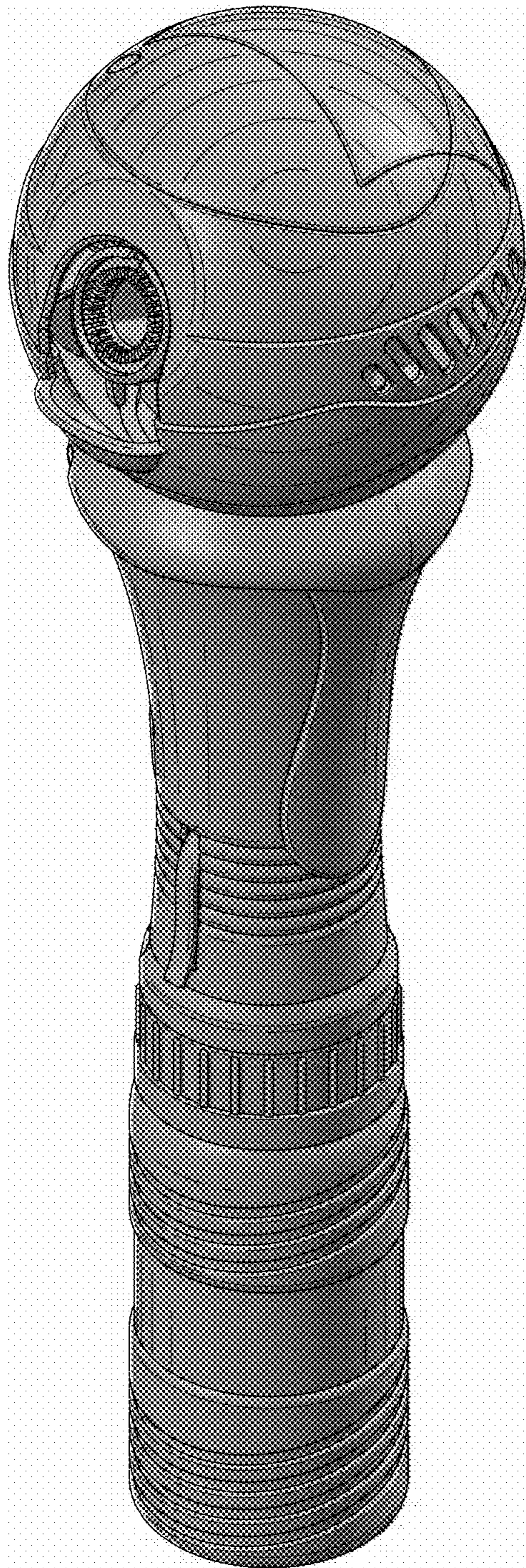


FIG. 1

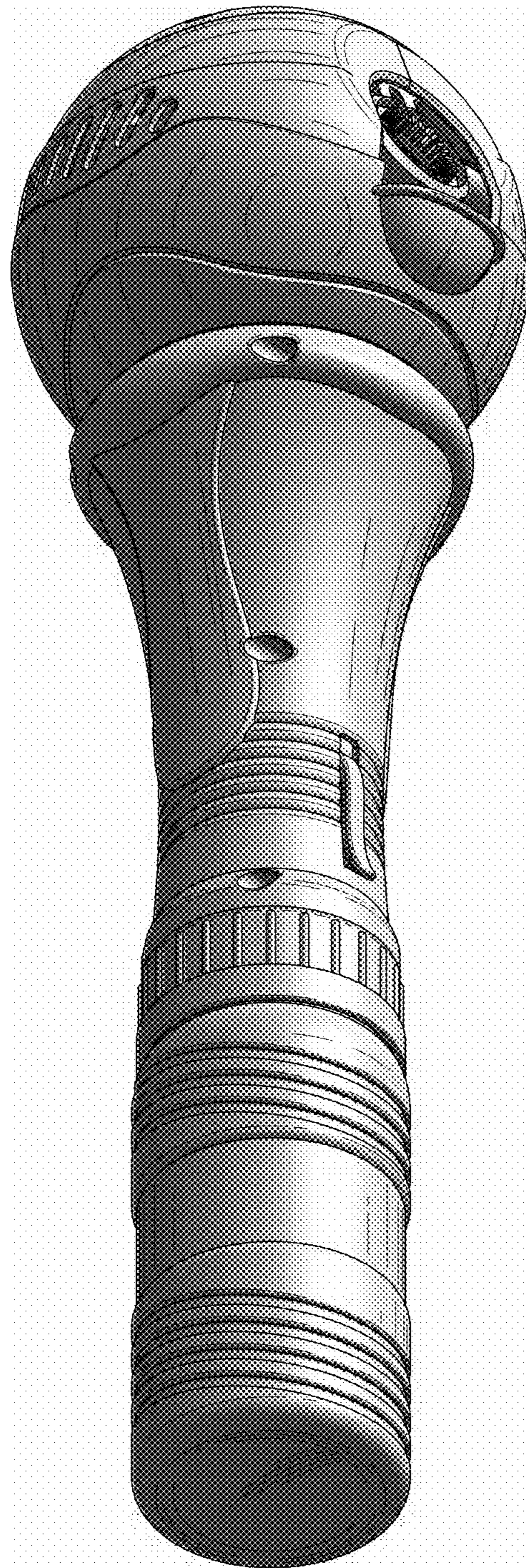


FIG. 2

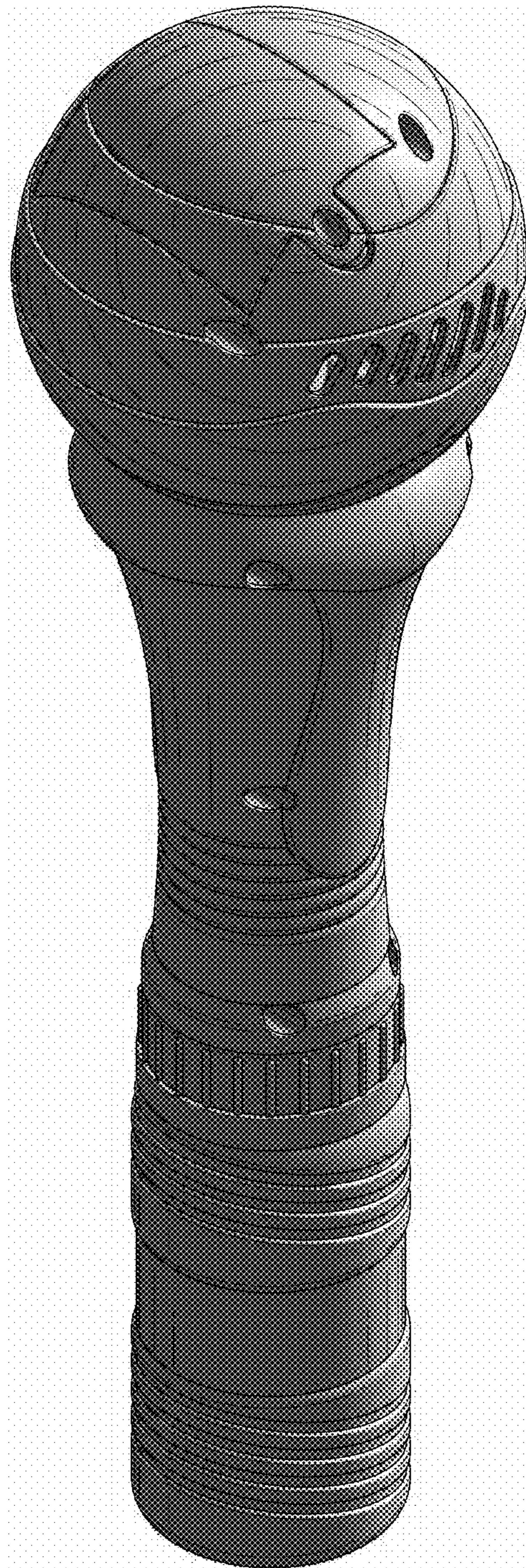


FIG. 3

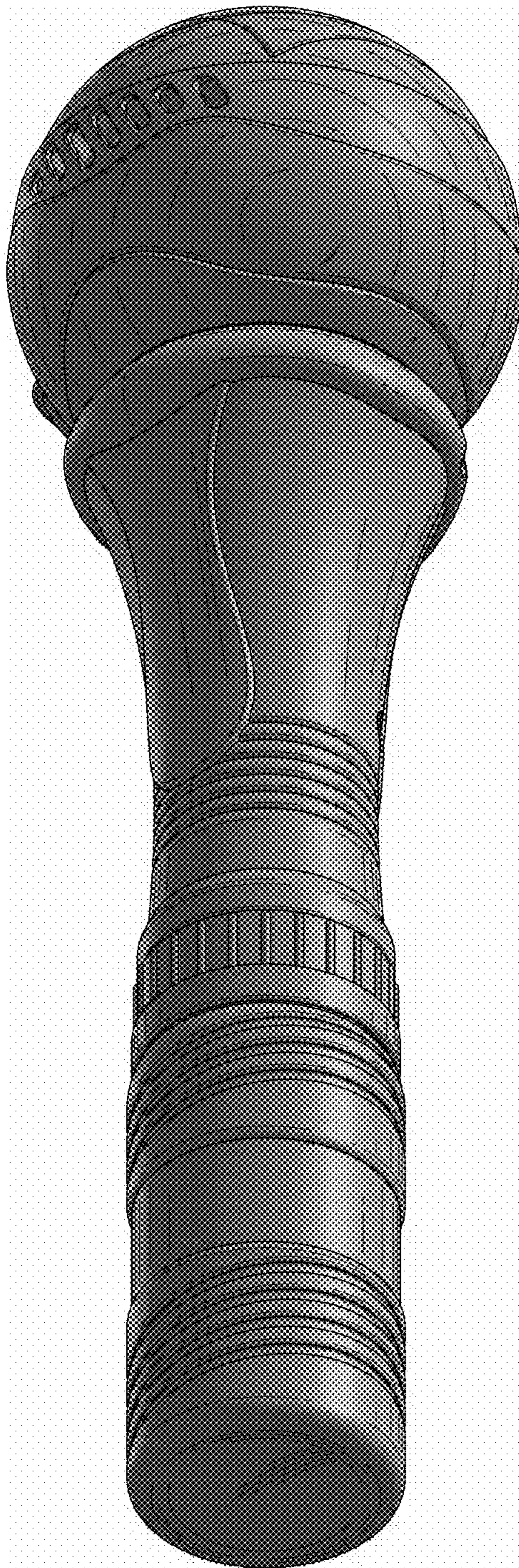


FIG. 4

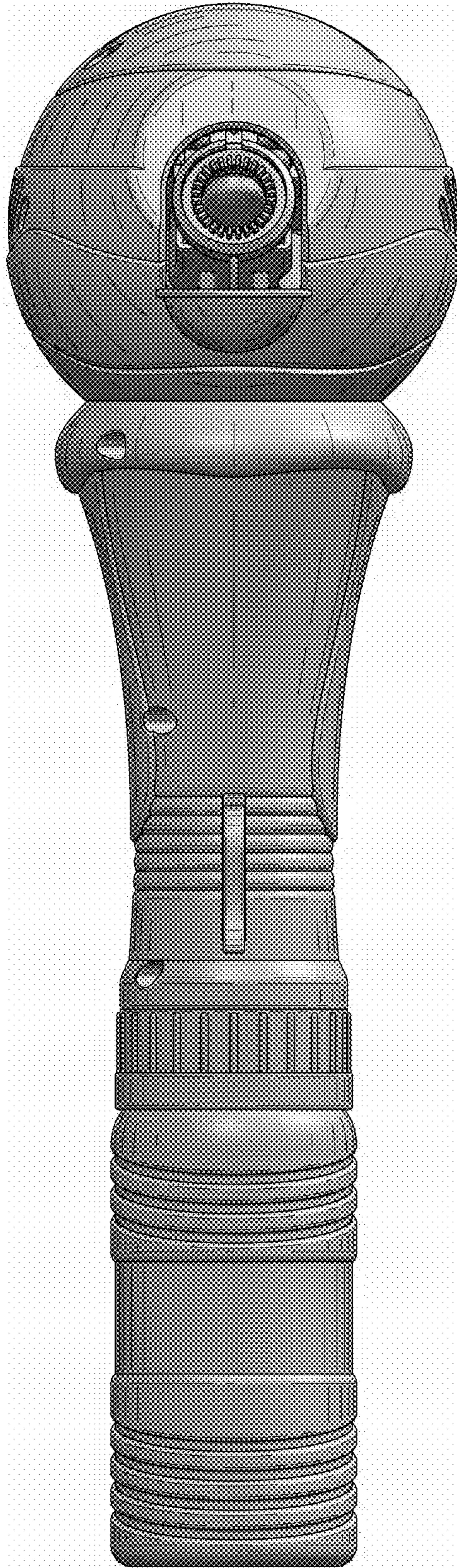


FIG. 5

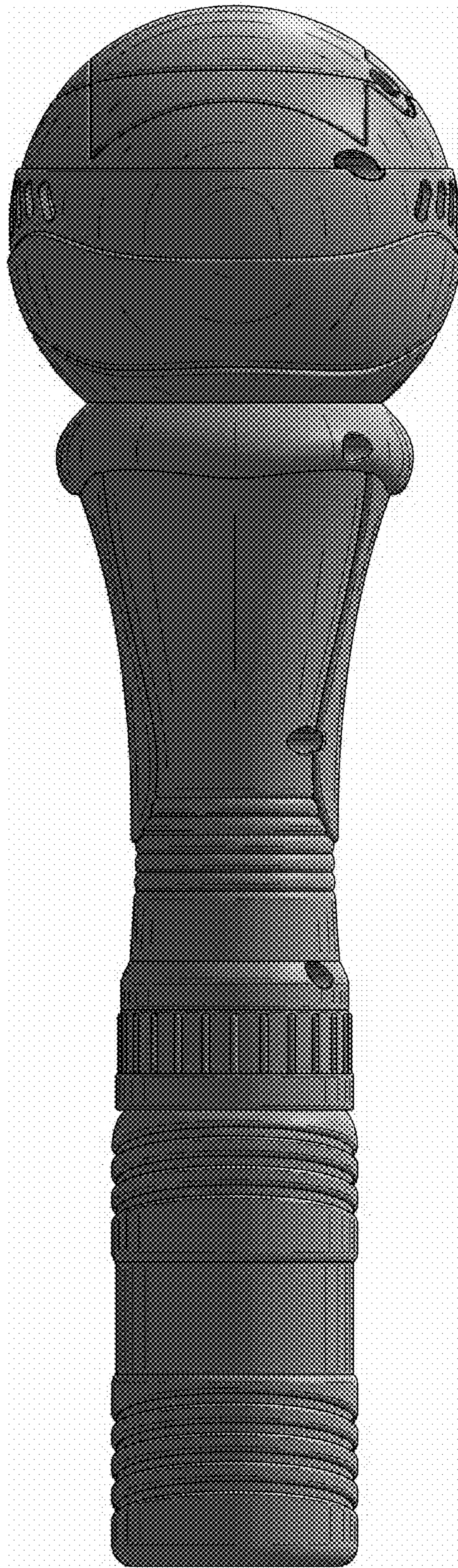


FIG. 6

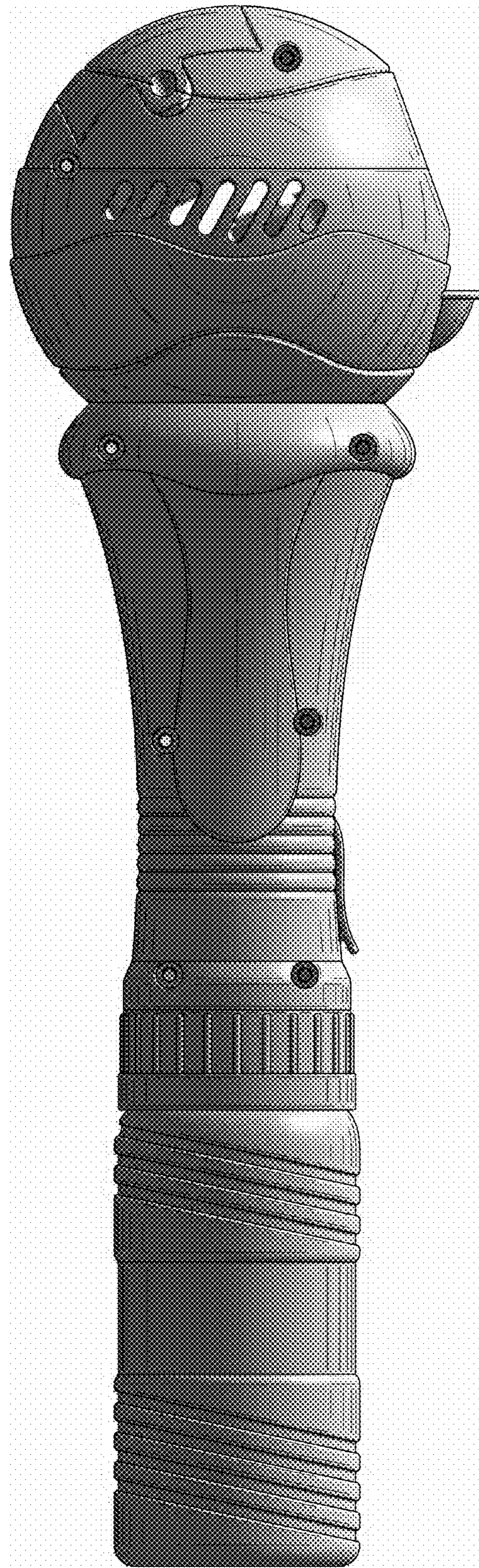


FIG. 7

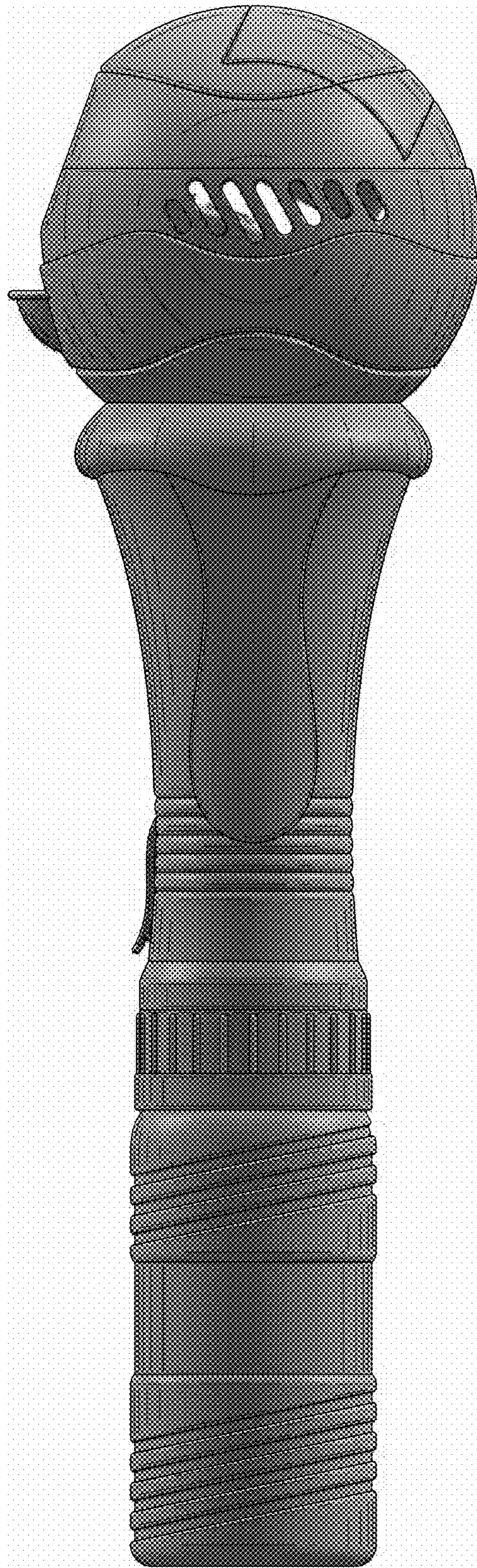


FIG. 8

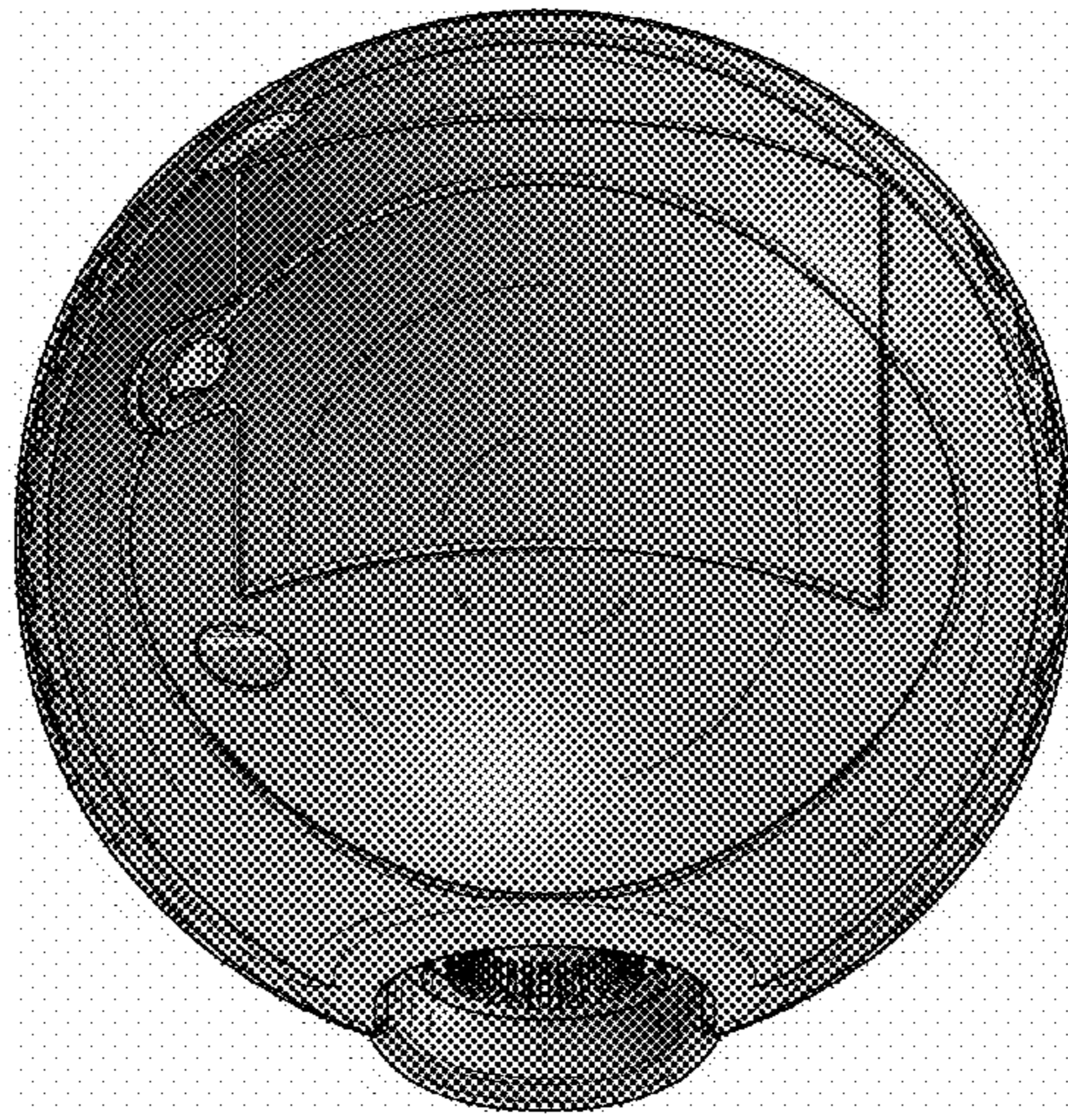


FIG. 9

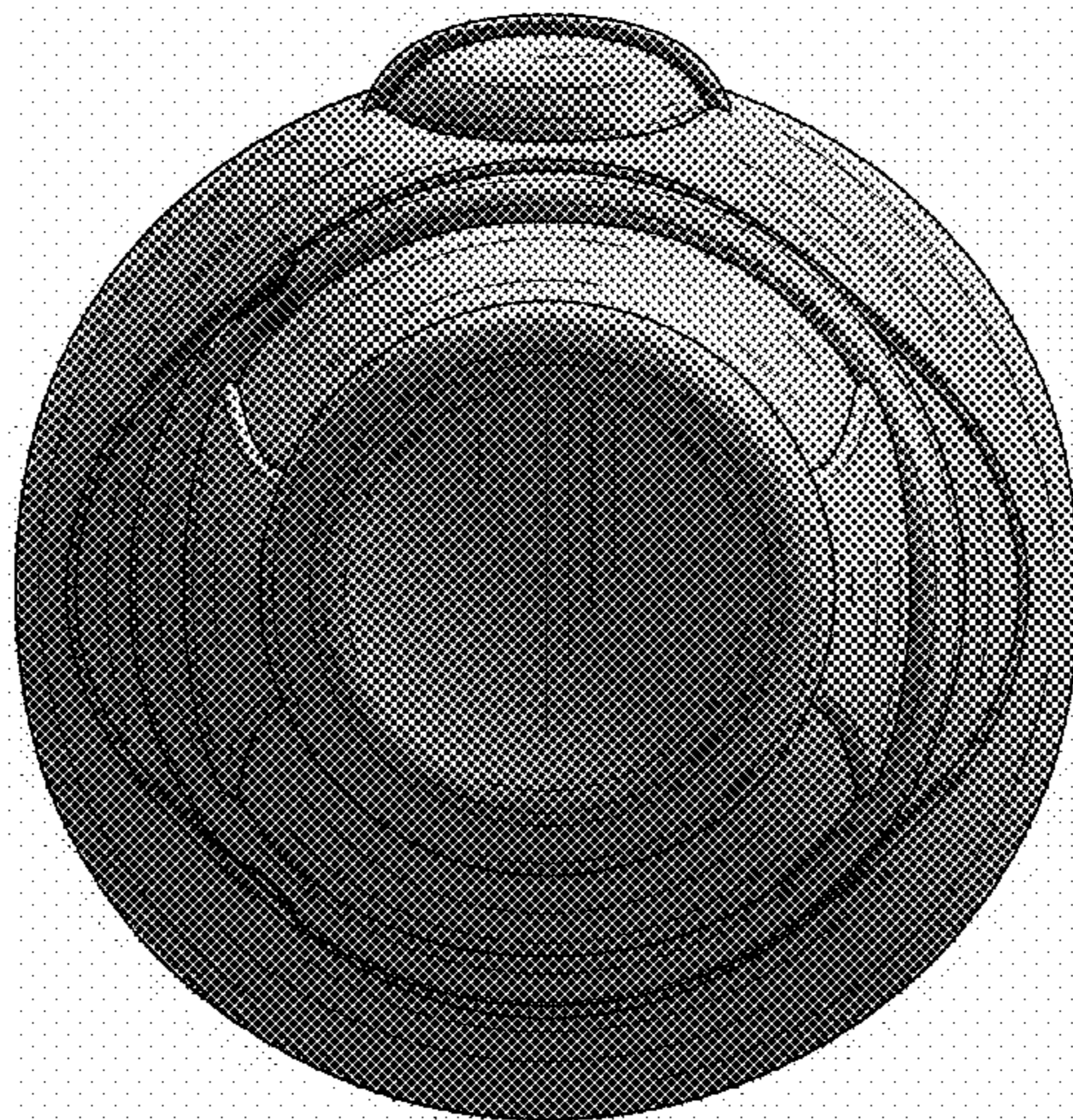


FIG. 10