



US00D966420S

(12) **United States Design Patent** (10) **Patent No.:** **US D966,420 S**
McVey et al. (45) **Date of Patent:** **** Oct. 11, 2022**

(54) **SET OF DISPLAY SCREENS FOR A GAMING MACHINE BANK**

D802,163 S * 11/2017 Lewis D25/48.7
D818,048 S * 5/2018 Calhoun D21/369
D819,747 S * 6/2018 Castro D21/369
D822,117 S * 7/2018 Costa D21/325

(71) Applicant: **Incredible Technologies, Inc.**, Vernon Hills, IL (US)

(Continued)

(72) Inventors: **Bryan C. McVey**, Chicago, IL (US); **Lawrence J. Hodgson**, Las Vegas, NV (US); **Omar Torres**, Barrington, IL (US); **Thomas F. Costanzo**, Elmhurst, IL (US); **Daniel J. Schrementi**, Chicago, IL (US)

FOREIGN PATENT DOCUMENTS

EM 000727995-0001 * 5/2007
EM 003667682-0001 * 1/2017

(73) Assignee: **Incredible Technologies, Inc.**, Vernon Hills, IL (US)

OTHER PUBLICATIONS

Acme Furniture Skylar Vanity Desk, first available May 26, 2020, Amazon.com [online], site visited Dec. 1, 2021], Available from internet URL: <https://amzn.to/3xIR1IW>.*

(**) Term: **15 Years**

(Continued)

(21) Appl. No.: **29/736,739**

Primary Examiner — Jack Reickel
Assistant Examiner — Salamah Jordan

(22) Filed: **Jun. 2, 2020**

(74) *Attorney, Agent, or Firm* — Levenfeld Pearlstein, LLC

(51) **LOC (13) Cl.** **21-03**

(52) **U.S. Cl.**
USPC **D21/369**

(57) **CLAIM**

(58) **Field of Classification Search**

The ornamental design for a set of display screens for a gaming machine bank, as shown and described.

USPC D6/657, 662, 661, 663, 664.1, 667, 668, D6/669, 671, 671.1, 671.2, 672, 673; D14/129, 126, 127, 128, 138 G, 172, 248, D14/307, 325, 341, 371, 374, 375, 401, D14/432, 439, 450; D21/325, 329, 369, D21/371, 370, 385, 394; D25/48.3, 48.7, D25/60
CPC G07F 17/3216; G07F 17/3211; G07F 17/3267; G07F 17/3213; G07F 17/34; G07F 17/3244; E06B 1/6069; E06B 3/9636; E05D 15/22
See application file for complete search history.

DESCRIPTION

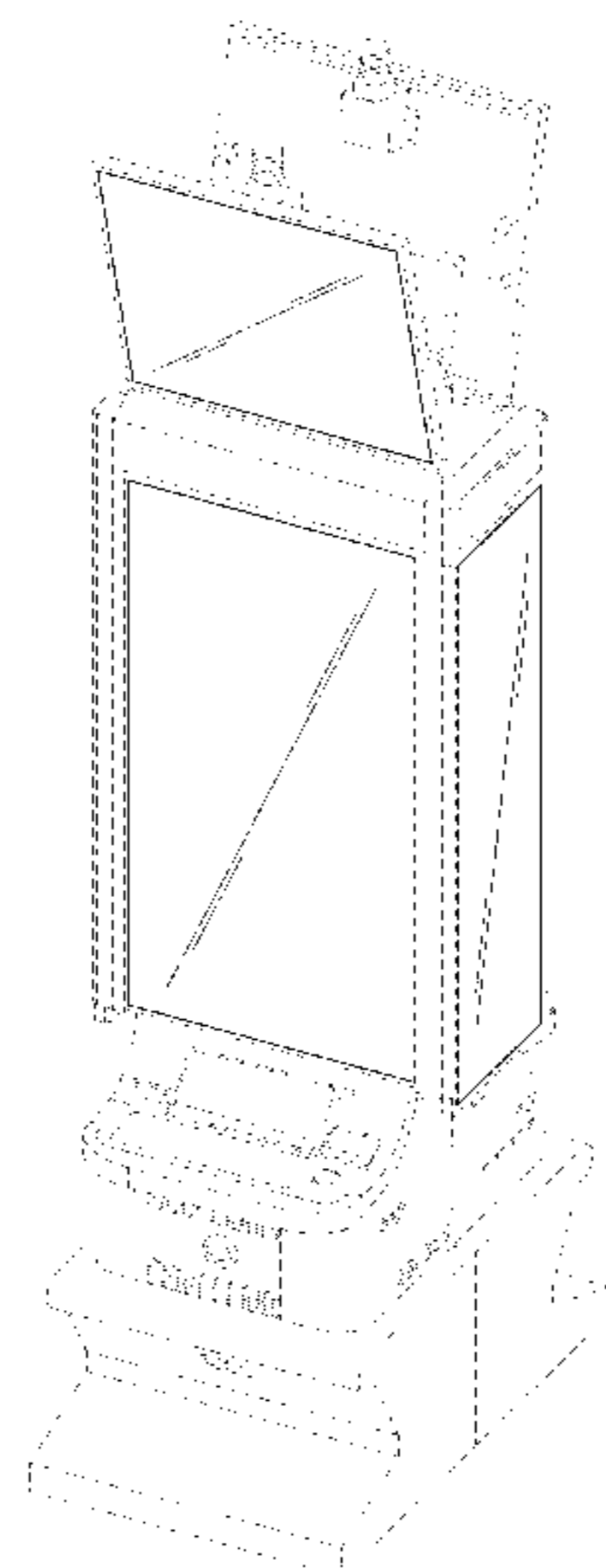
FIG. 1 is a perspective view of a set of display screens for a gaming machine bank.
FIG. 2 is a front elevation view, the rear elevation view being a mirror image thereof.
FIG. 3 is a left side elevation view, the right side elevation view being a mirror image thereof; and,
FIG. 4 is a top plan view thereof.
The bottom view of the set of display screens for a gaming machine bank is hereby disclaimed and forms no part of the claimed design.
The broken line showing of gaming machines is included for the purpose of illustrating environmental structure and forms no part of the claimed design.

(56) **References Cited**

U.S. PATENT DOCUMENTS

D213,676 S * 4/1969 Biro D25/48.7
D754,879 S * 4/2016 Fein D25/60

1 Claim, 4 Drawing Sheets



(56)

References Cited

U.S. PATENT DOCUMENTS

10,181,236 B2 * 1/2019 Goldstein G07F 17/3216
D843,467 S * 3/2019 Johnson D21/369
D843,473 S * 3/2019 Zedell, Jr. D21/369
D868,165 S * 11/2019 Ortiz De Viveiros D21/369
D888,283 S * 6/2020 Cox D25/48.3
D888,990 S * 6/2020 Allen D25/48.3
D900,339 S * 10/2020 Allen D25/48.3
D911,451 S * 2/2021 Ortiz De Viveiros D21/369
D913,379 S * 3/2021 Calhoun Lewis D21/369
D918,303 S * 5/2021 DeMarco D21/369
D934,347 S * 10/2021 Ocampo D21/370
D934,955 S * 11/2021 van Linden D21/369

OTHER PUBLICATIONS

“Pennsylvania Multi-Game TwinStar J43” Sep. 24, 2020, Amazon, site visited May 25, 2022: <https://web.archive.org/web/20200924022526/https://www.betson.com/gaming/> (Year: 2020).*

“IGT at ICE 2019: Your Best Bet” Jan. 28, 2019, site visited May 25, 2022: <https://www.prnewswire.com/news-releases/igt-at-ice-2019-your-best-bet-300784834.html> (Year: 2019).*

“Ultimate Fire Link” Jul. 28, 2018, site visited May 25, 2022: <https://web.archive.org/web/20180728024232/https://www.barona.com/casino/gaming/slots/> (Year: 2018).*

* cited by examiner

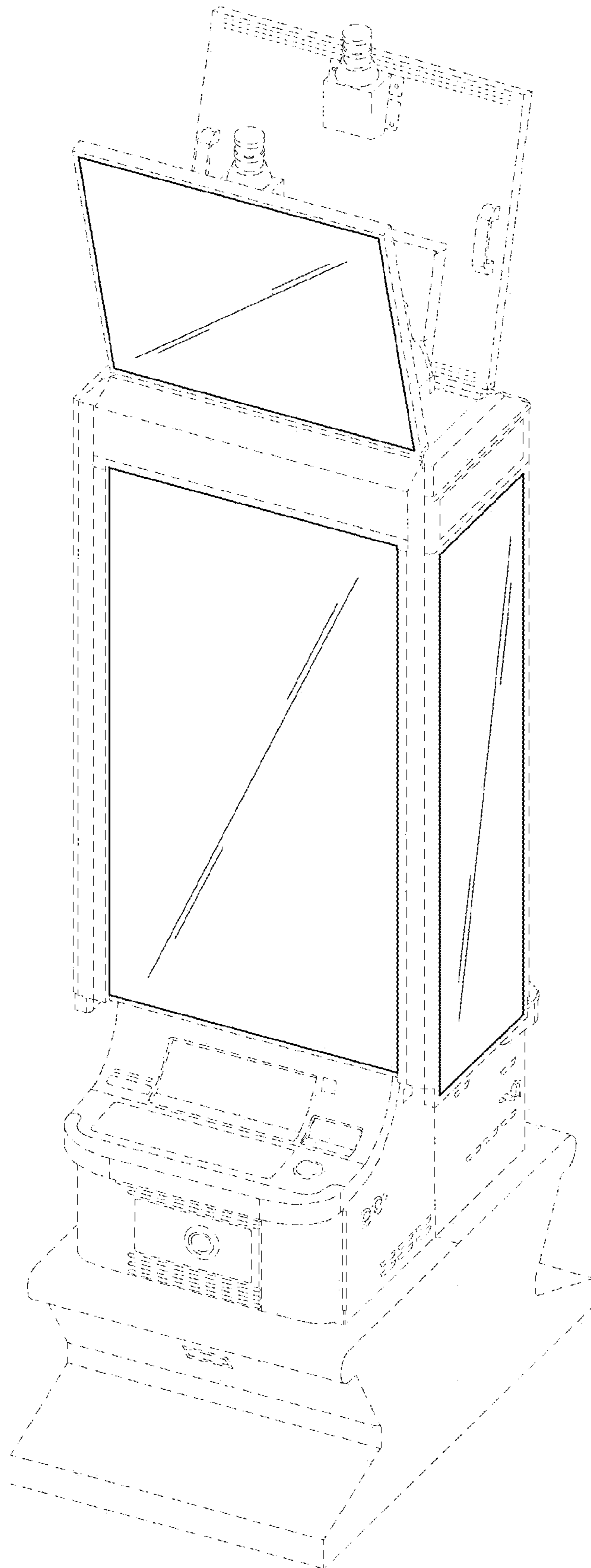


FIG. 1

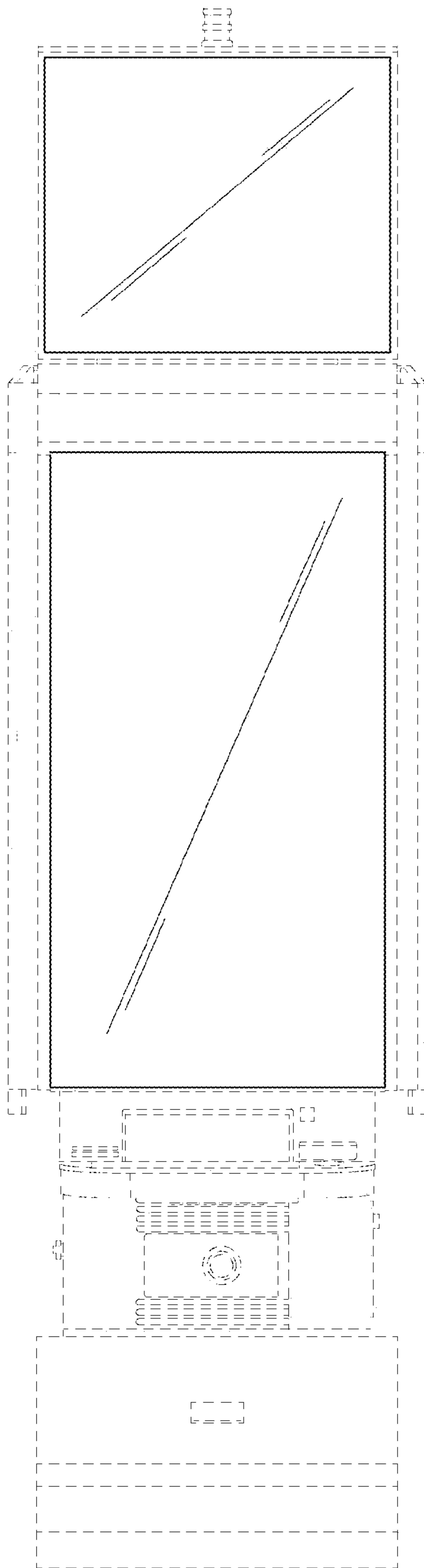


FIG. 2

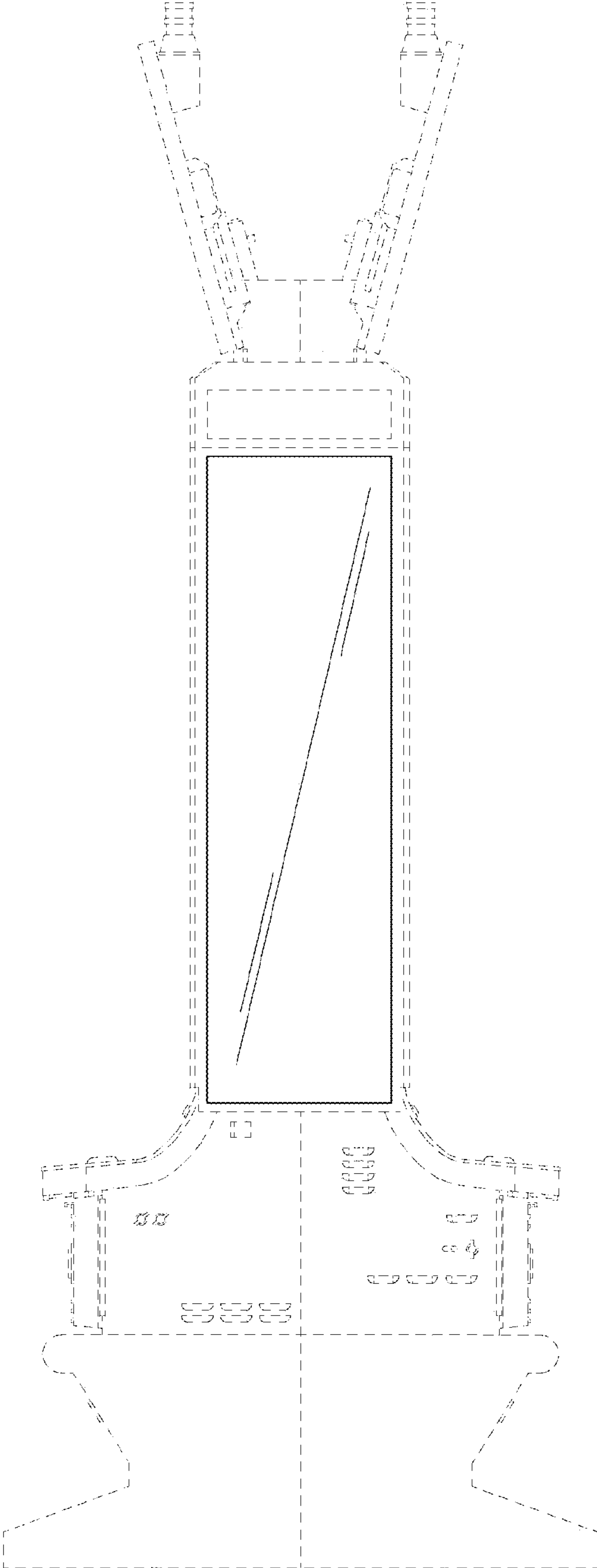


FIG. 3

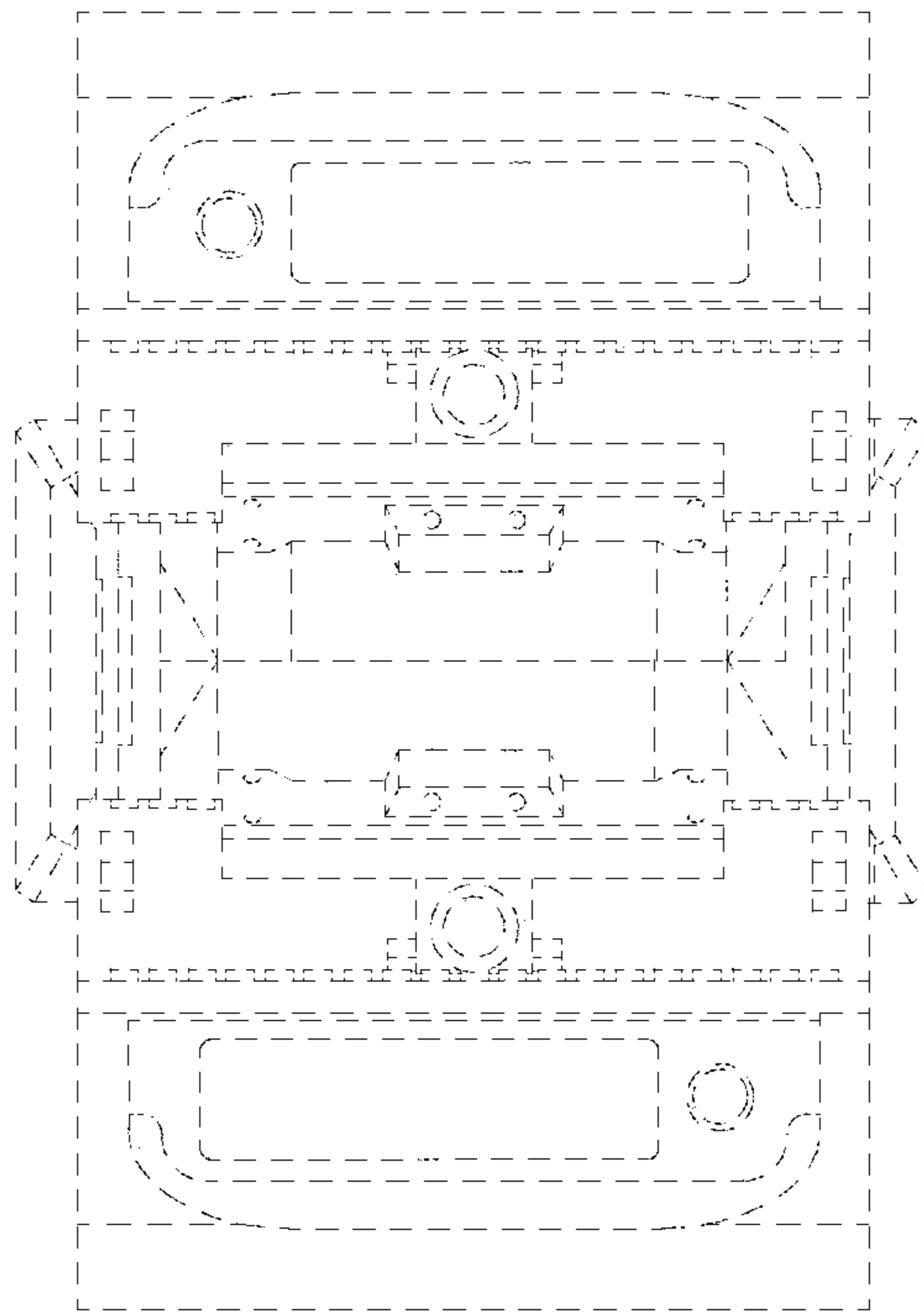


FIG. 4