



US00D966416S

(12) **United States Design Patent** (10) **Patent No.:** **US D966,416 S**
Fu et al. (45) **Date of Patent:** **** Oct. 11, 2022**

(54) **MOTION SENSOR UNIT FOR EDUCATIONAL GAME CONSOLE FOR KIDS**

(71) Applicant: **Guangdong Industry Polytechnic**, Guangdong Province (CN)

(72) Inventors: **Bo Fu**, Guangdong Province (CN); **Changchun Chen**, Guangdong Province (CN); **Xiuwen Liao**, Guangdong Province (CN)

(**) Term: **15 Years**

(21) Appl. No.: **29/752,091**

(22) Filed: **Sep. 24, 2020**

(51) **LOC (13) Cl.** **21-01**

(52) **U.S. Cl.**
USPC **D21/333**

(58) **Field of Classification Search**
USPC D21/325, 326, 327, 333, 324, 328, 332, D21/566, 329, 330, 694, 405, 407, 411, D21/398, 514, 515; D14/401, 400, 454, D14/412, 496, 416, 418, 413, 203.3, D14/203.5, 218, 415, 252, 414, 419, 457, D14/203, 203.1, 203.7, 204, 217, 240, D14/253, 333, 342, 357, 358, 388, 403, D14/434, 455, 456, 410, 492, 258, 301, D14/393, 432, 489, 314, 317, 239, 251; D26/52, 54; D19/127, 128, 60; D10/70, D10/106.6, 106.7, 106.9, 106.4, 106.5; D16/202, 201, 203, 204, 205, 208
CPC G06F 1/1666; G06F 17/00; G06F 19/00; A63F 9/24; A63F 13/00; A63F 13/23; A63F 13/235; A63F 13/24; A63F 13/26; A63F 13/843; A63F 13/98; A63F 13/323; A63F 2009/2488; A63F 2009/2407; A63F 2250/52; A63F 2300/00; A63F 2300/1031; A63F 2300/8088; A63F 2300/1025; G03B 17/02; G03B 17/04; G03B 17/56; G03B

(Continued)

(56) **References Cited**

U.S. PATENT DOCUMENTS

D424,086 S * 5/2000 Choi D16/202
D441,000 S * 4/2001 Vanderwilt D16/202

(Continued)

OTHER PUBLICATIONS

LeapFrog LeapTV Review _ PCMag. Date Updated: Dec. 12, 2014. Retrieved from internet: <<https://www.pcmag.com/reviews/leapfrog-leaptv>> [site visited Mar. 10, 2022] (Year: 2014).*

(Continued)

Primary Examiner — Katherine Glennon

Assistant Examiner — Yuan Yuan

(74) *Attorney, Agent, or Firm* — Prakash Nama; Global IP Services, PLLC

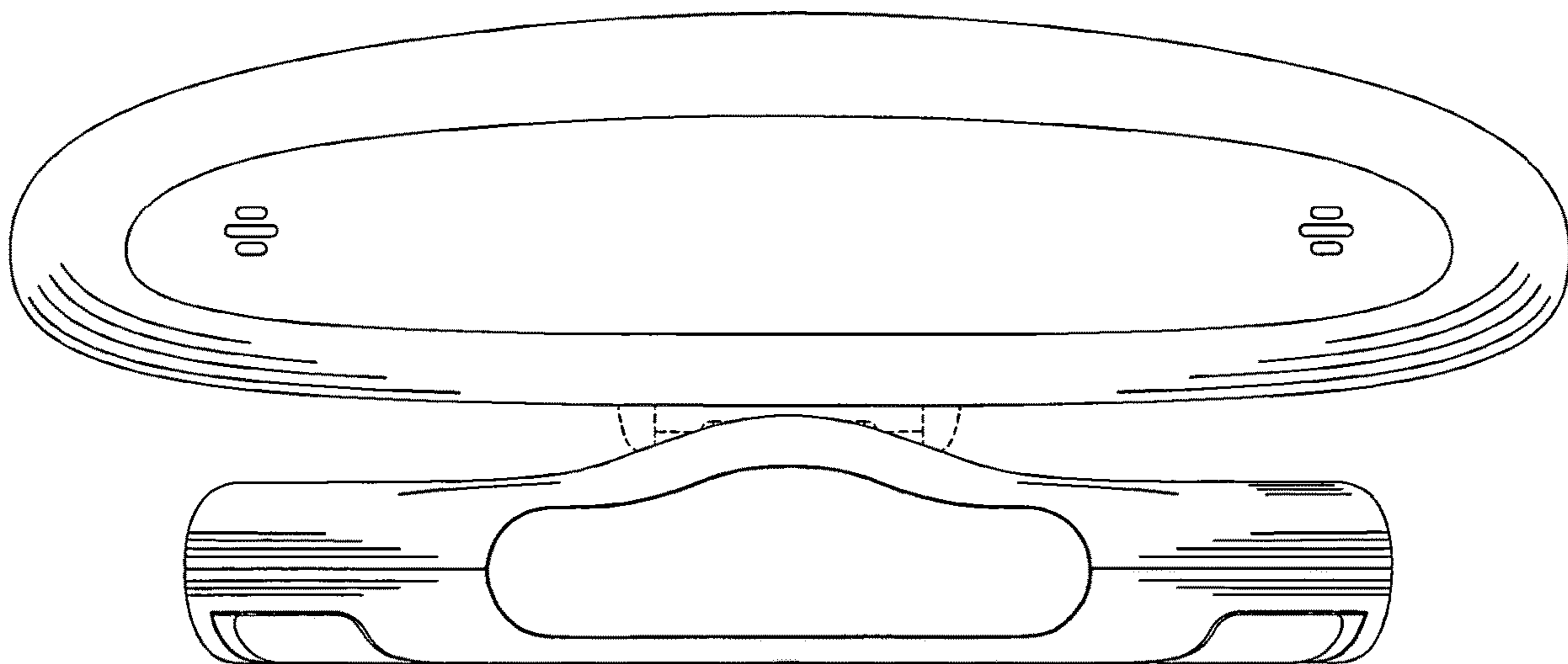
(57) **CLAIM**

The ornamental design for a motion sensor unit for educational game console for kids, as shown and described.

DESCRIPTION

FIG. 1 is a front elevational view of a motion sensor unit for educational game console for kids showing our new design; FIG. 2 is a rear elevational view thereof; FIG. 3 is a left side view thereof; FIG. 4 is a right side view thereof; FIG. 5 is a top plan view thereof; FIG. 6 is a bottom plan view thereof; FIG. 7 is a first perspective view thereof; FIG. 8 is a second perspective view; and, FIG. 9 is a third perspective view thereof. The broken lines in the figures depict portions of the motion sensor unit for educational game console for kids that form no part of the claimed design.

1 Claim, 9 Drawing Sheets



(58) **Field of Classification Search**
 CPC 15/03; G03B 19/04; H04N 5/2251; H04N
 5/2252; H04N 5/2253; H04N 5/2254;
 H04N 2101/00; H04N 7/142; H04N
 7/144
 See application file for complete search history.

(56) **References Cited**
 U.S. PATENT DOCUMENTS

D484,160	S	*	12/2003	Kangasmaa	D16/202
D601,565	S	*	10/2009	Maeno	D21/333
7,736,071	B2	*	6/2010	Wahl G03B 17/561	396/419
D626,983	S	*	11/2010	Serge	D16/202
D627,813	S	*	11/2010	Chen	D16/202
D629,031	S	*	12/2010	Su	D16/202
D631,079	S	*	1/2011	Tzeng	D16/202
D632,719	S	*	2/2011	Tsai	D16/202
D641,388	S	*	7/2011	Shih	D16/202
D664,579	S	*	7/2012	Tzeng	D16/202
D665,439	S	*	8/2012	Khamsepoor	D16/202
D721,754	S	*	1/2015	Chen	D16/202
D733,781	S	*	7/2015	Chen	D16/202
D753,236	S	*	4/2016	Choi	D21/333

D783,075	S	*	4/2017	Maxwell	D16/202
D792,301	S	*	7/2017	Zhu	D12/202
D814,544	S	*	4/2018	Moon	D16/203
D825,637	S	*	8/2018	Moon	D16/203
D828,425	S	*	9/2018	Piekarski	D16/202
D828,426	S	*	9/2018	Li	D16/202
D849,088	S	*	5/2019	Lai	D16/202
D852,791	S	*	7/2019	Sohn	D14/240
D854,070	S	*	7/2019	Tani	D16/203
D863,080	S	*	10/2019	Lee	D10/70
D873,882	S	*	1/2020	Wang	D16/202
D892,898	S	*	8/2020	Jacob	D16/203
D902,976	S	*	11/2020	Han	D16/202
D906,138	S	*	12/2020	Hayes	D10/70
D907,091	S	*	1/2021	Lv	D16/202
D912,717	S	*	3/2021	Russo	D16/202
D931,927	S	*	9/2021	Russo	D16/202

OTHER PUBLICATIONS

Sensor Brite 360° Wireless Motion Activated LED Light. Date First Available: Mar. 1, 2019. Retrieved from internet: <<https://www.amazon.com/Sensor-Brite-360-Wireless-Activated/dp/B07P8B7YG1?th=1>> [site visited Mar. 10, 2022] (Year: 2019).*

* cited by examiner

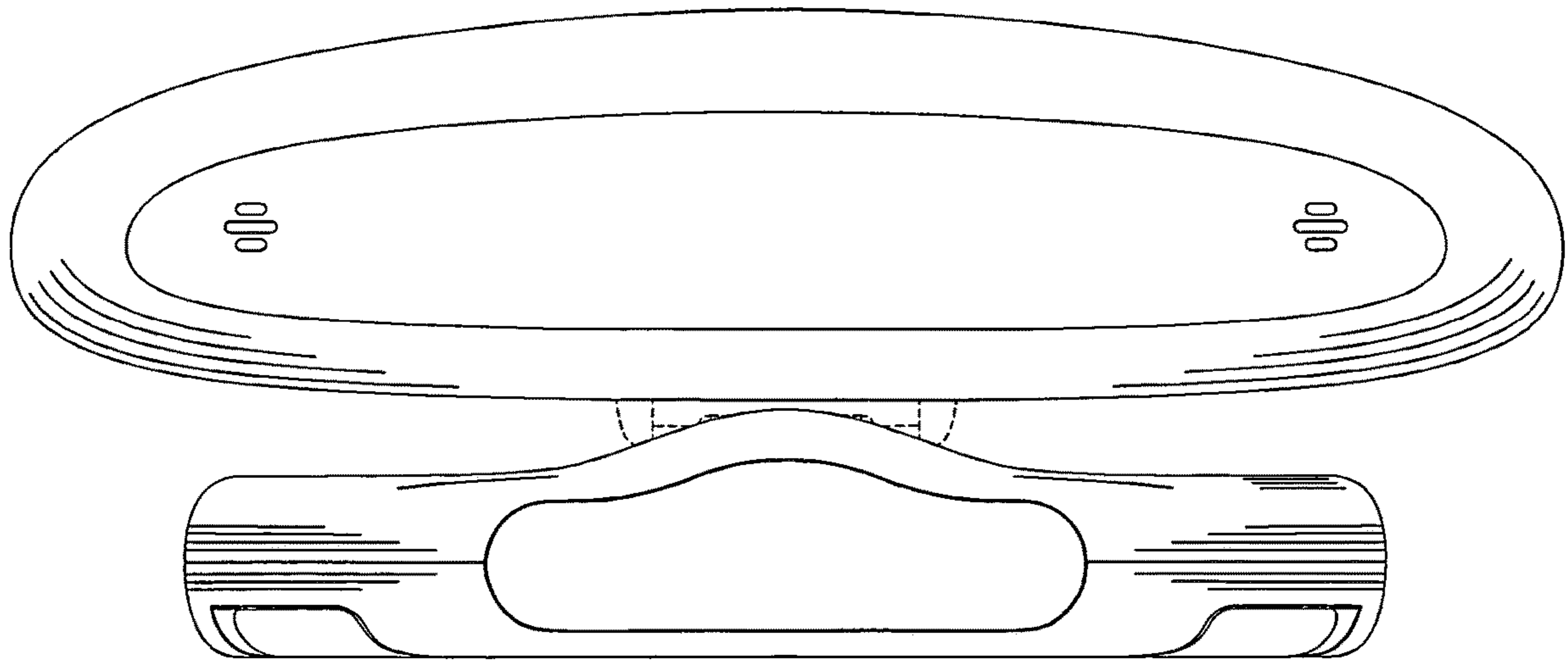


FIG.1

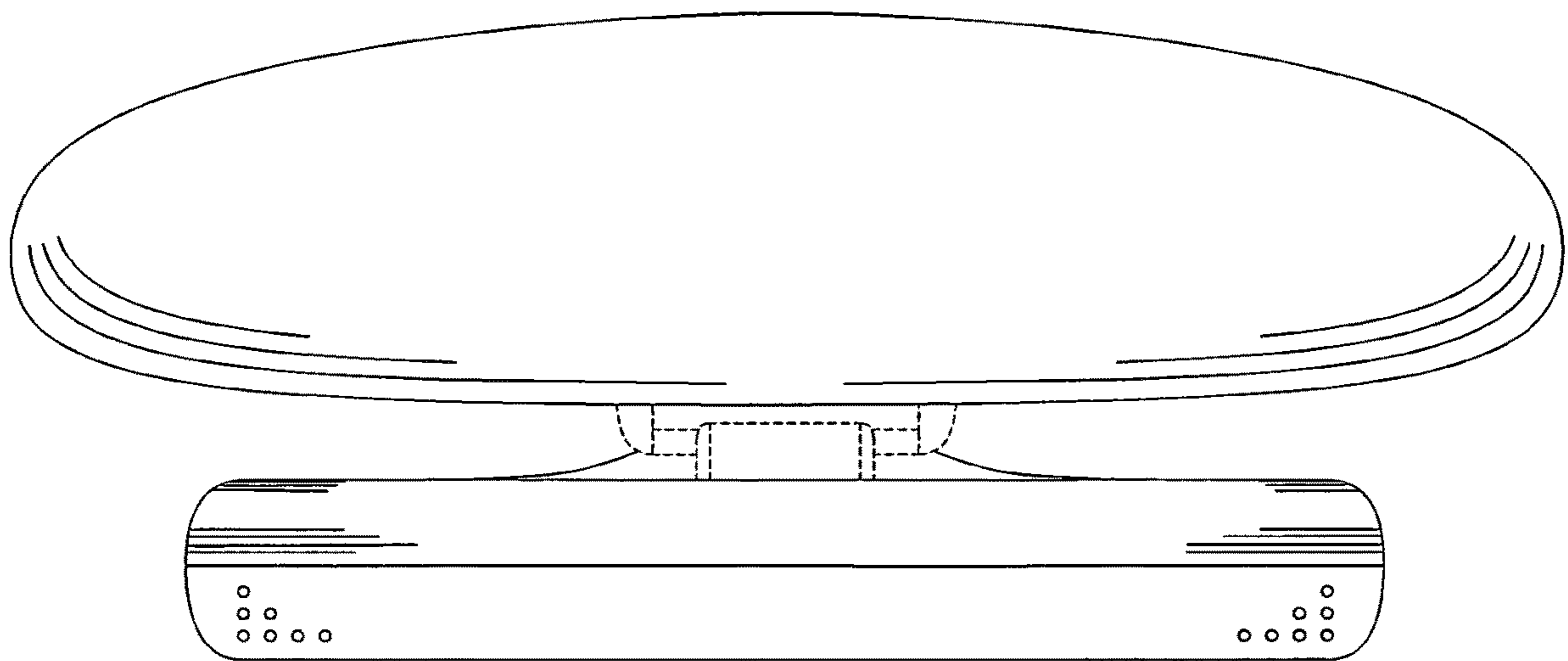


FIG.2

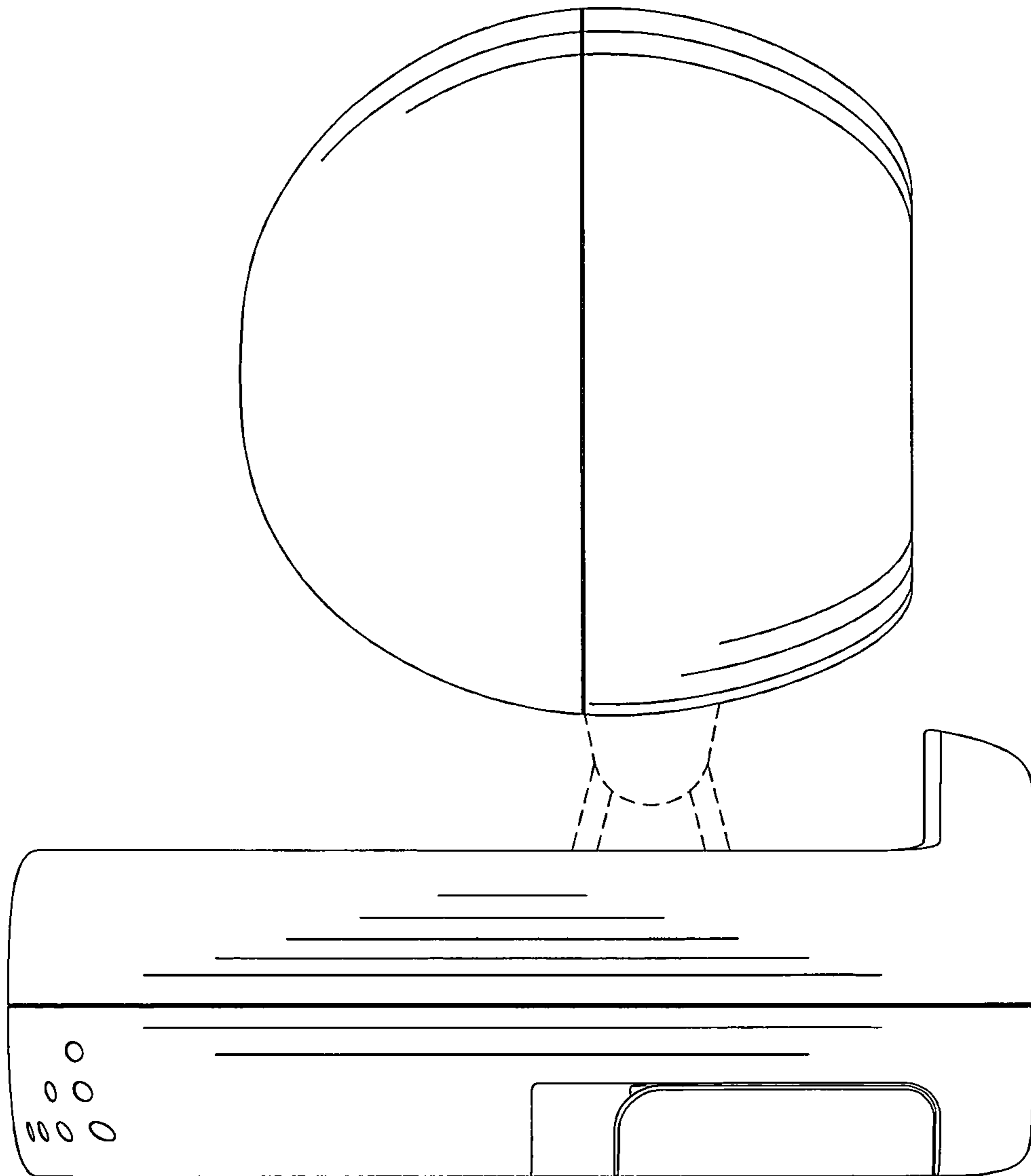


FIG. 3

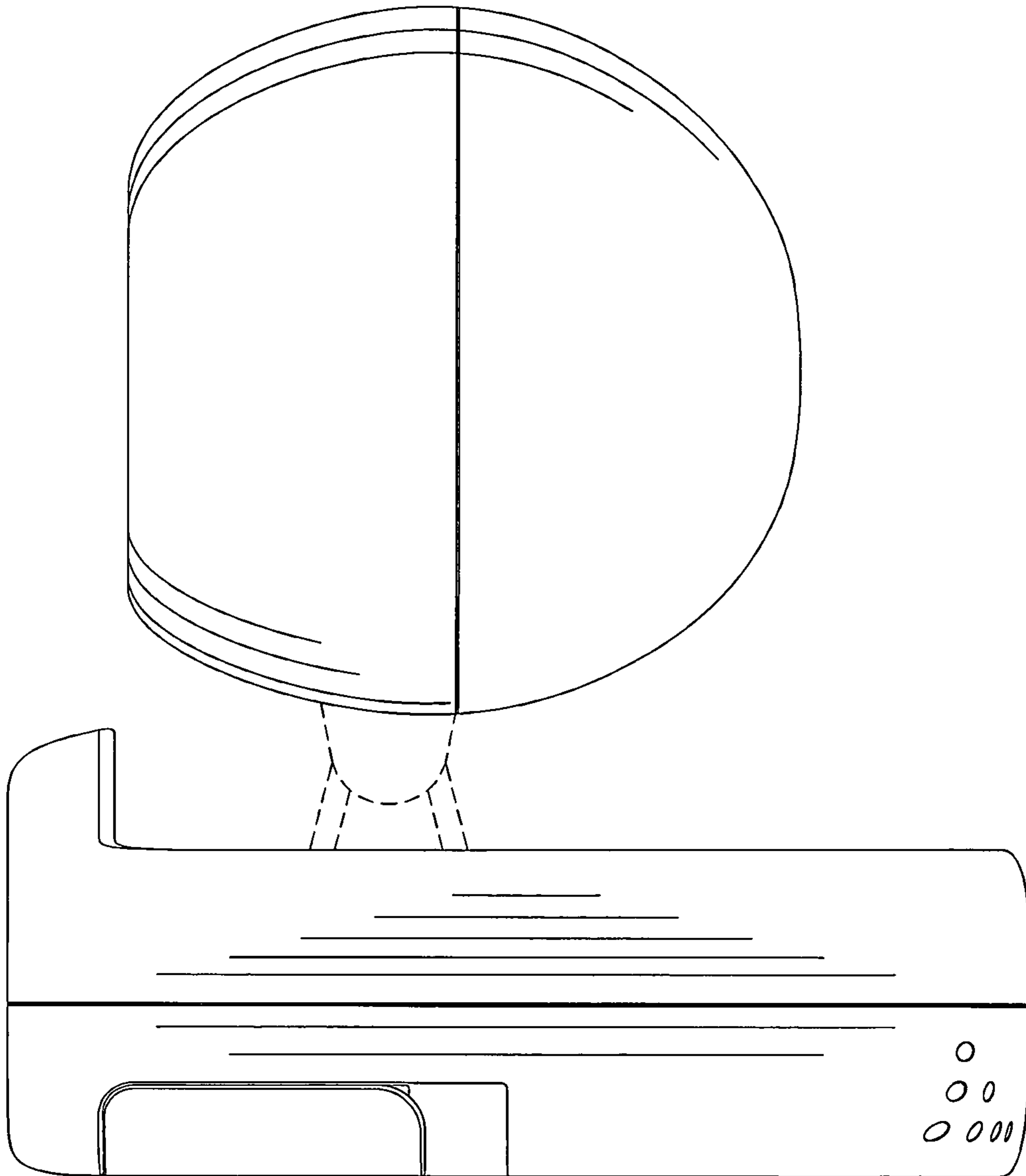


FIG. 4

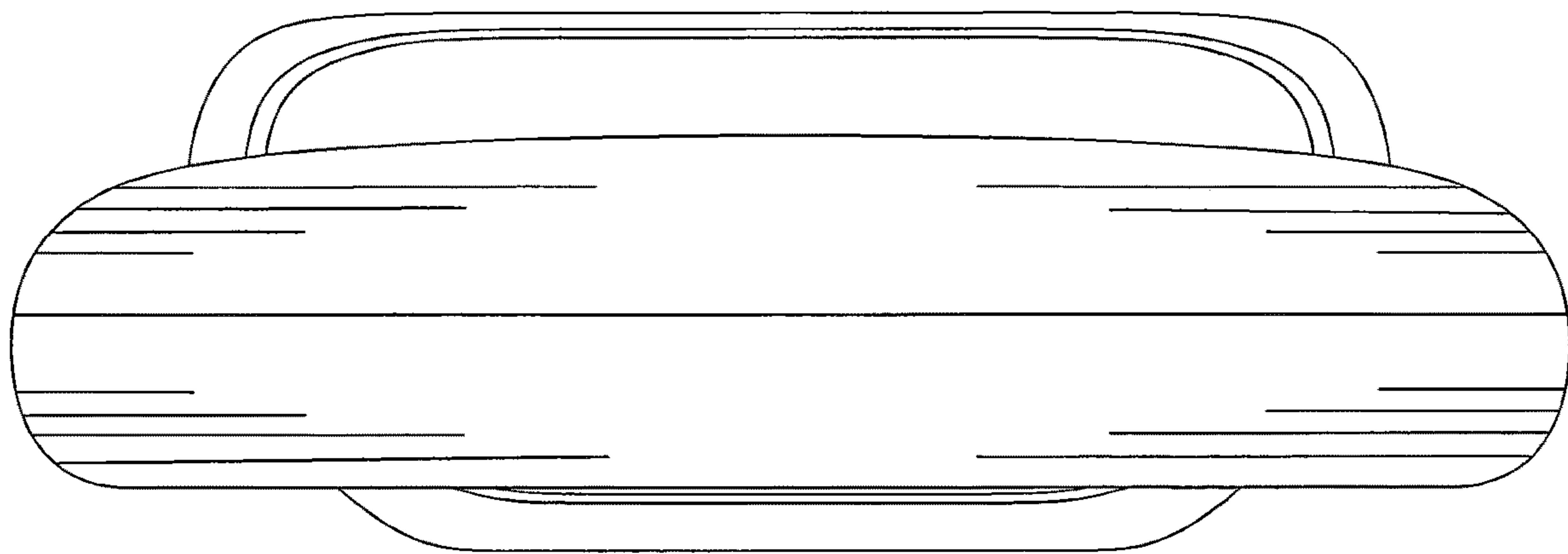


FIG. 5

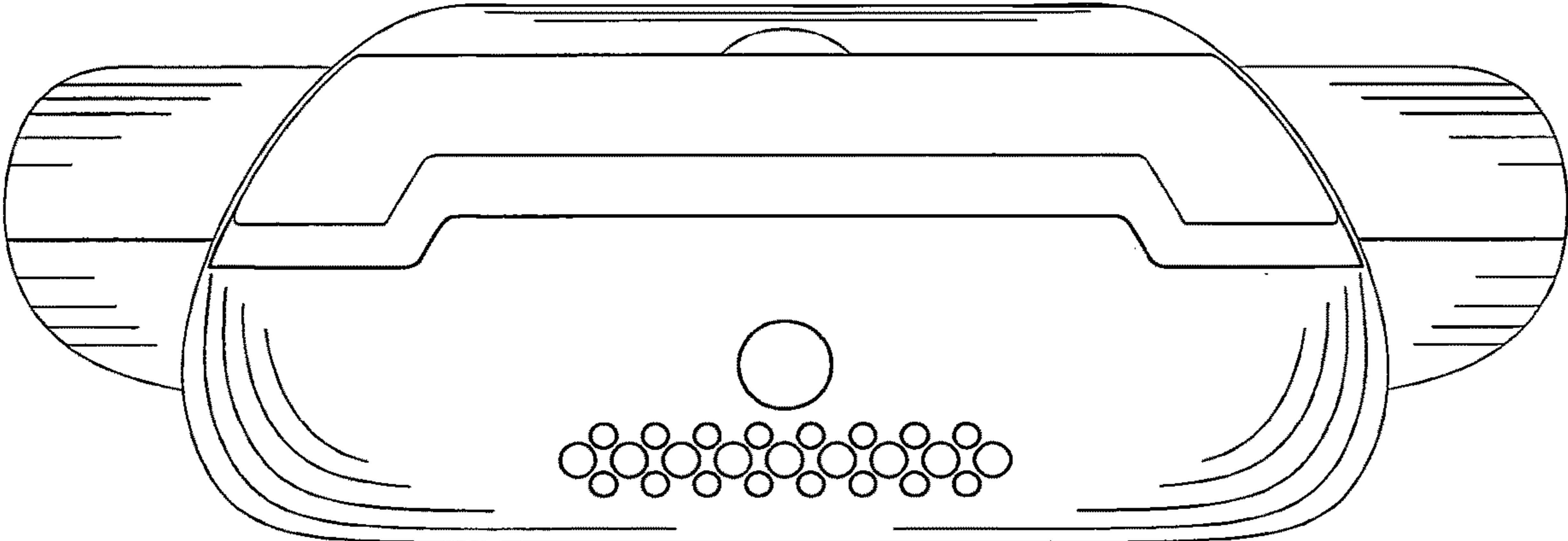


FIG.6

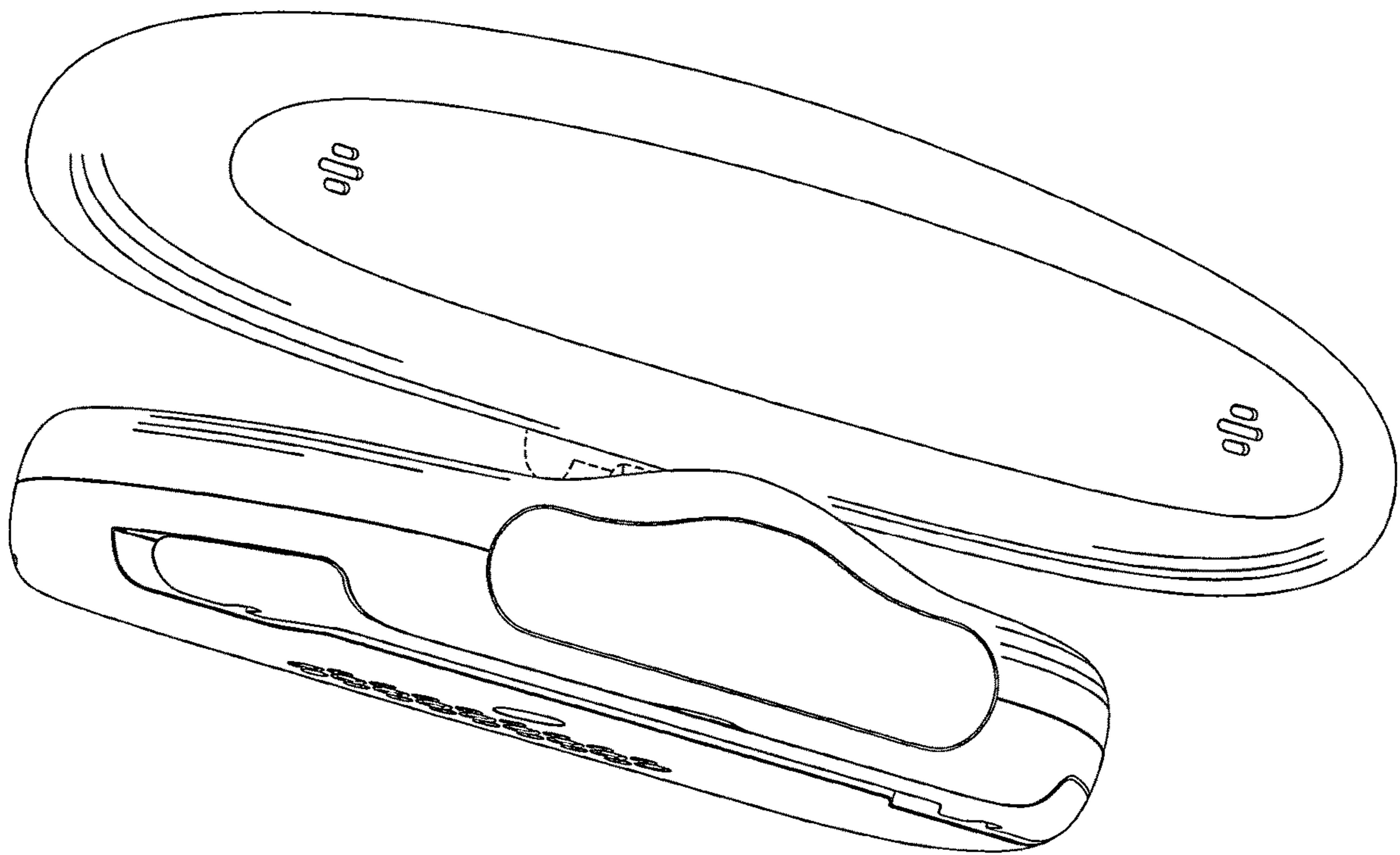


FIG.7

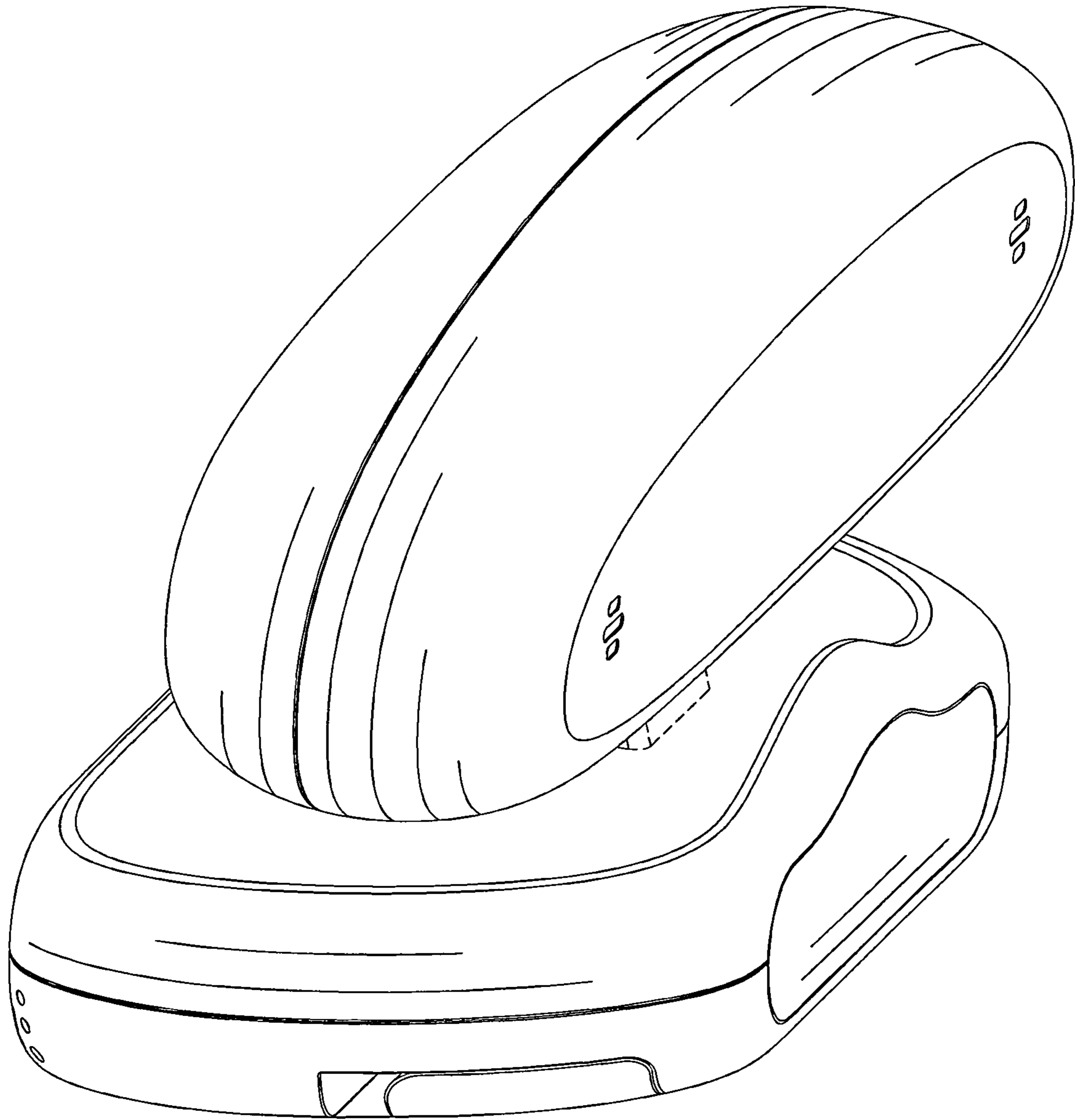


FIG. 8

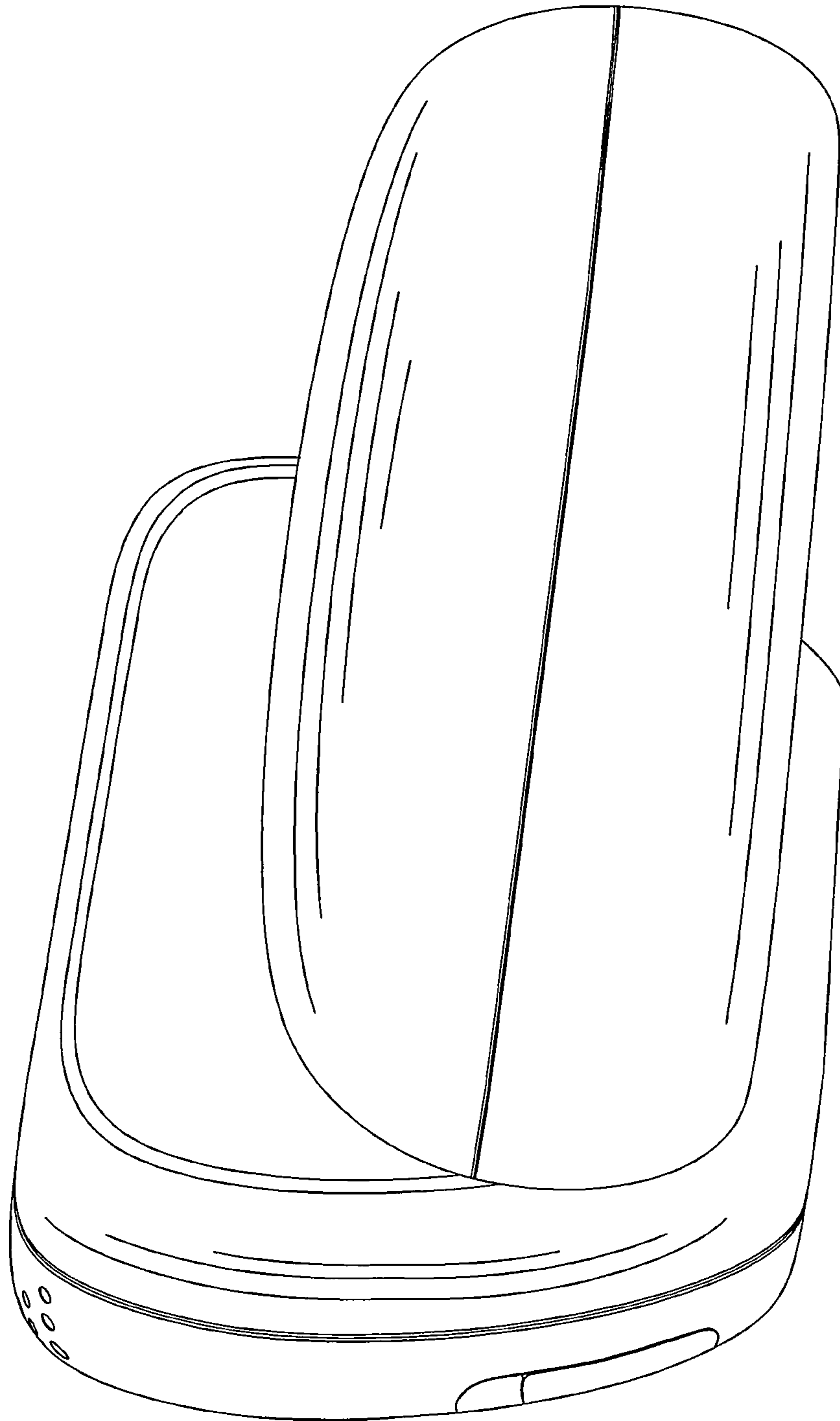


FIG.9