



US00D966415S

(12) **United States Design Patent**
Zhuang

(10) **Patent No.:** **US D966,415 S**
(45) **Date of Patent:** **** Oct. 11, 2022**

- (54) **CORNHOLE BOARD**
- (71) Applicant: **Penghang Zhuang**, Ningbo (CN)
- (72) Inventor: **Penghang Zhuang**, Ningbo (CN)
- (**) Term: **15 Years**
- (21) Appl. No.: **29/822,766**
- (22) Filed: **Jan. 12, 2022**
- (51) **LOC (13) Cl.** **21-01**
- (52) **U.S. Cl.**
USPC **D21/303**
- (58) **Field of Classification Search**
USPC D21/303, 301, 302, 304, 300, 334, 336,
D21/341, 342, 343, 319, 789, 790, 791,
D21/792, 397, 312, 322, 699, 705;
273/398-404, 343, 317, 336, 348, 407,
273/408, 410, 108, 287, 331, 236, 118 R,
273/123 R, 127 R, 120 R, 127 B, 395,
273/396, 245; 473/180, 175, 179, 182,
473/185, 187, 569, 592; D6/392, 718;
5/110-114, 120-123, 89.1, 127-130, 625,
5/627, 655, 630-634
CPC A63B 63/00; A63B 63/003; A63B 63/08;
A63B 67/00; A63B 67/02; A63B 67/06;
A63B 67/066; A63B 2063/001; A63B
2063/002; A63B 2067/065; A63B
2067/063; A63B 2067/061; A63B
2208/12; A63B 71/00; A63B 2210/50;
A63B 2024/0046; A63B 69/3661; A63B
69/0097; A63F 7/386
See application file for complete search history.

- (56) **References Cited**
U.S. PATENT DOCUMENTS
1,558,766 A * 10/1925 Smith A63B 57/357
473/184
4,961,586 A * 10/1990 Conville A63F 9/02
273/402

- 5,050,889 A * 9/1991 Walker A63F 9/0204
273/402
- 5,056,796 A * 10/1991 Conville A63B 67/06
273/402
- 5,165,695 A * 11/1992 Yoder A63B 67/06
273/402
- D340,082 S * 10/1993 DeLapa D21/303
- D375,530 S * 11/1996 Rudd D21/303
- D405,474 S 2/1999 Trondson
- 5,871,216 A * 2/1999 Sparacino A63B 63/08
273/402
- 7,313,835 B1 * 1/2008 Hodges A47C 17/645
5/187
- 7,607,666 B1 * 10/2009 Studier A63B 63/00
116/222
- D635,197 S * 3/2011 Pryor D21/303

(Continued)

Primary Examiner — Susan Moon Lee
(74) *Attorney, Agent, or Firm* — Rumit Ranjit Kanakia

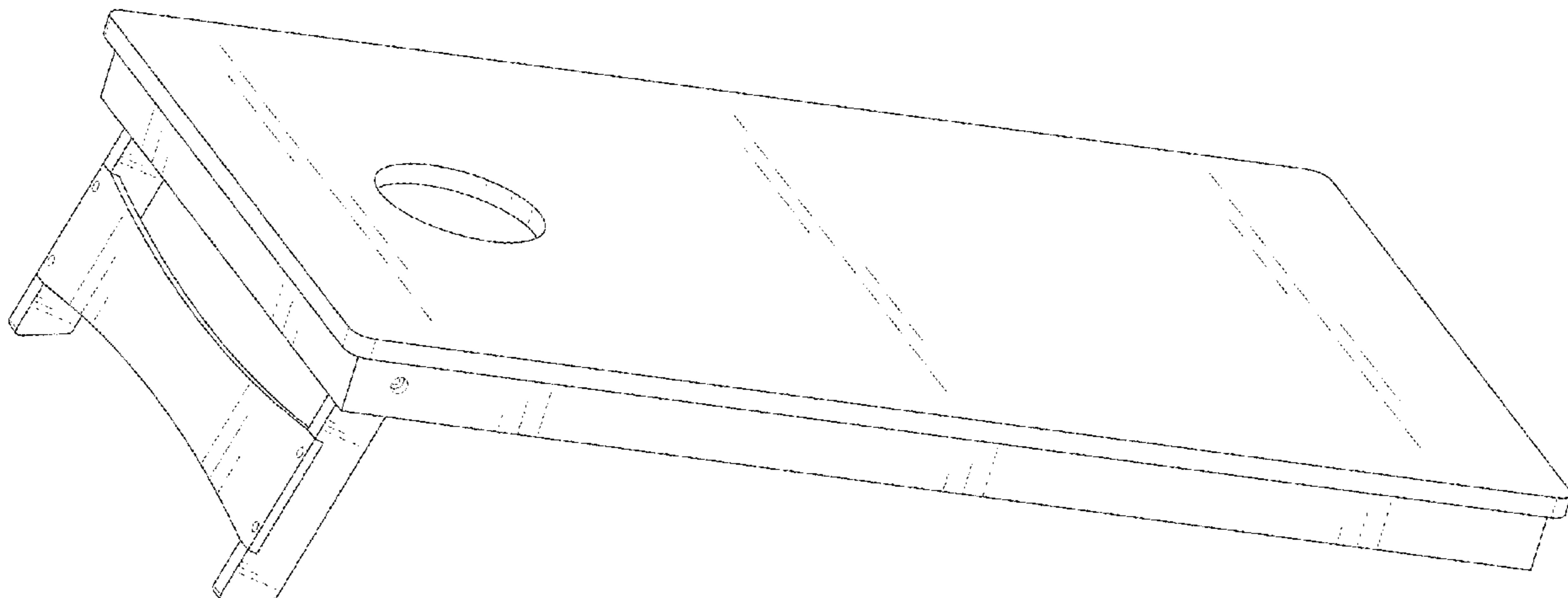
(57) **CLAIM**

The ornamental design for a cornhole board, as shown and described.

DESCRIPTION

FIG. 1 is a perspective view of a cornhole board showing my new design;
 FIG. 2 is the second perspective view thereof;
 FIG. 3 is the third perspective view thereof;
 FIG. 4 is a front elevational view thereof
 FIG. 5 is a rear elevational view thereof;
 FIG. 6 is a left side view thereof;
 FIG. 7 is a right side view thereof;
 FIG. 8 is a top plan view thereof;
 FIG. 9 is a bottom plan view thereof; and,
 FIG. 10 is a perspective view showing the cornhole board in a folded state.
 The broken lines in the figures are for the purposes of illustrating portions of the cornhole board, which form no part of the claimed design.

1 Claim, 9 Drawing Sheets



(56)

References Cited

U.S. PATENT DOCUMENTS

8,127,689 B2 *	3/2012	Christian	A63B 67/002	108/11	11,179,625 B2 *	11/2021	Bauer	A63F 7/0668
8,162,318 B1 *	4/2012	Peterson	A63B 67/06	273/343	D954,827 S *	6/2022	Good	D21/303
8,465,022 B2 *	6/2013	Weiss	A63F 3/00028	273/277	D955,482 S *	6/2022	Turner	D21/303
D688,749 S	8/2013	Pavony				2010/0317470 A1 *	12/2010	Cea	A63B 67/06
D706,353 S	6/2014	Montenare				2011/0215528 A1 *	9/2011	Conville	A63B 67/06
D706,354 S	6/2014	Montenare				2012/0038109 A1 *	2/2012	Battista	A63F 9/0204
D706,355 S	6/2014	Montenare				2012/0235356 A1 *	9/2012	Weiss	A63F 1/04
D729,319 S *	5/2015	Meissner	D21/303		2013/0082442 A1 *	4/2013	Hanel	A63B 67/06
D741,951 S *	10/2015	Angel	D21/303		2013/0234394 A1 *	9/2013	Voden	A63B 67/06
D748,198 S *	1/2016	Nally	D21/302		2014/0151963 A1 *	6/2014	Bennett	A63B 71/0036
9,381,414 B1 *	7/2016	Gatton	A63B 63/08		2015/0054221 A1 *	2/2015	Sandman	A63B 60/16
D781,960 S *	3/2017	Czwalga	D21/303		2015/0108719 A1 *	4/2015	Devine	A63B 67/06
D803,321 S *	11/2017	Hodur	D21/303		2015/0115531 A1 *	4/2015	Ali	A63F 9/02
D807,963 S *	1/2018	Zandonella	D21/303		2015/0231467 A1 *	8/2015	Sciandra	A63B 67/06
D827,031 S *	8/2018	Valladares	D21/303		2016/0008689 A1 *	1/2016	Janeri	A47C 4/08
D827,078 S *	8/2018	McAuley	D21/790		2016/0023095 A1 *	1/2016	Nally	A63F 9/0208
10,226,675 B2 *	3/2019	Wilder	H04R 1/028		2017/0014704 A1 *	1/2017	Bell	A63F 9/0278
D844,707 S	4/2019	Cowan				2017/0138586 A1 *	5/2017	Finch	F21V 33/008
D859,529 S *	9/2019	Burris	D21/303		2017/0340937 A1 *	11/2017	Poetter	A63B 67/06
D860,324 S *	9/2019	Kennedy	D21/303		2018/0036630 A1 *	2/2018	Wilder	H04R 7/045
D860,325 S *	9/2019	Ding	D21/303		2018/0056155 A1 *	3/2018	McAuley	A63B 69/3623
D863,449 S	10/2019	Shoptaugh				2021/0038958 A1 *	2/2021	Kowtko	A63B 63/08
D868,916 S *	12/2019	Engler	D21/303		2021/0060399 A1 *	3/2021	Dingel	A63B 67/06
D868,917 S *	12/2019	Engler	D21/303		2021/0308550 A1 *	10/2021	Li	A63B 71/0622
D873,348 S	1/2020	Wolters								
D873,919 S *	1/2020	Emmerson	D21/303						
D876,549 S	2/2020	Wolters								
D879,626 S *	3/2020	Schrock	D10/46.1						
D895,732 S *	9/2020	Saleeby	D21/303						
D898,122 S	10/2020	Rivard								
10,835,794 B1 *	11/2020	McMahon	G01B 5/14						
D910,757 S *	2/2021	Green	D21/303						

* cited by examiner

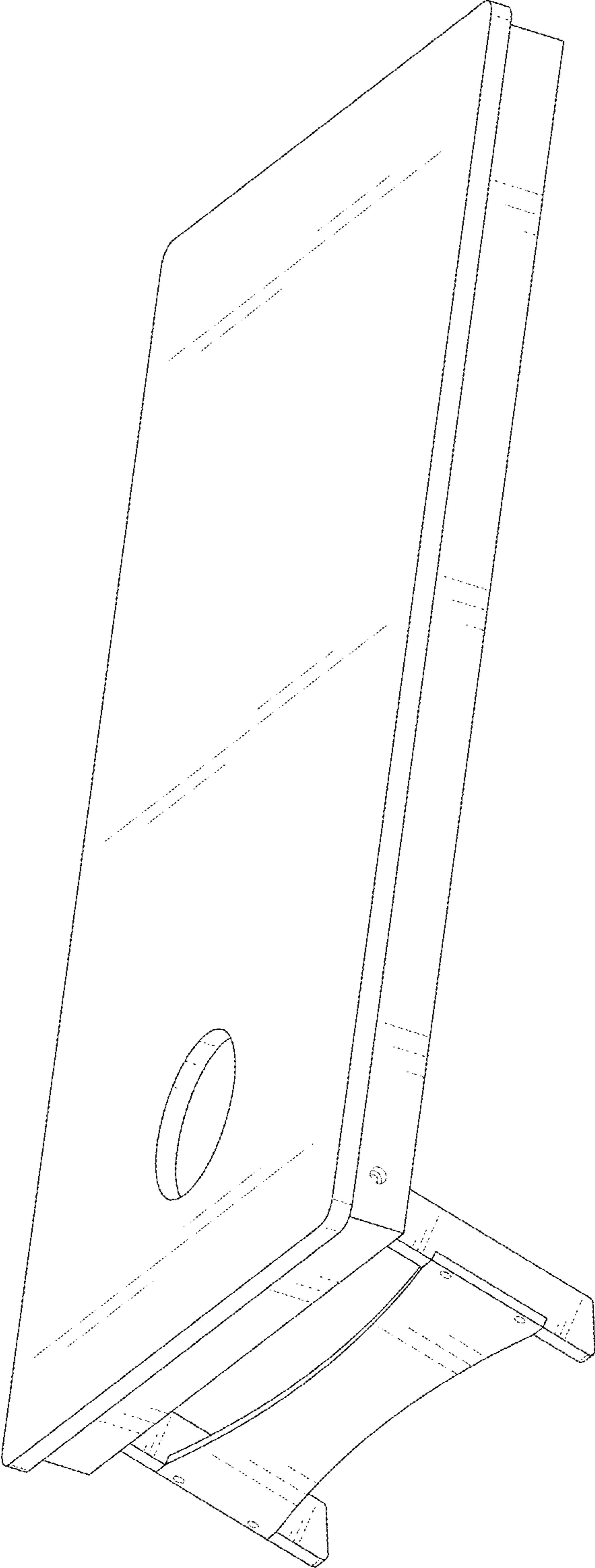


FIG. 1

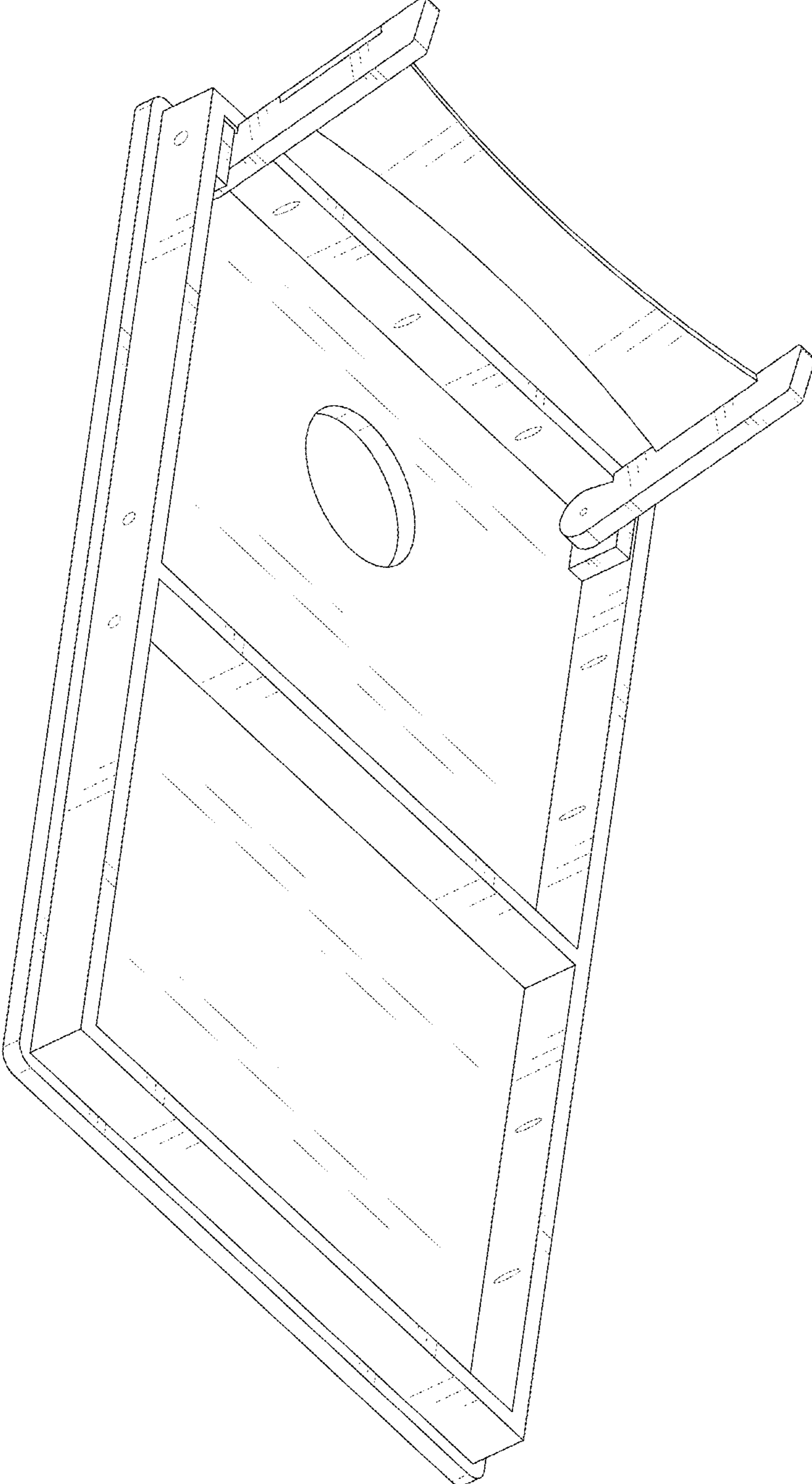


FIG. 2

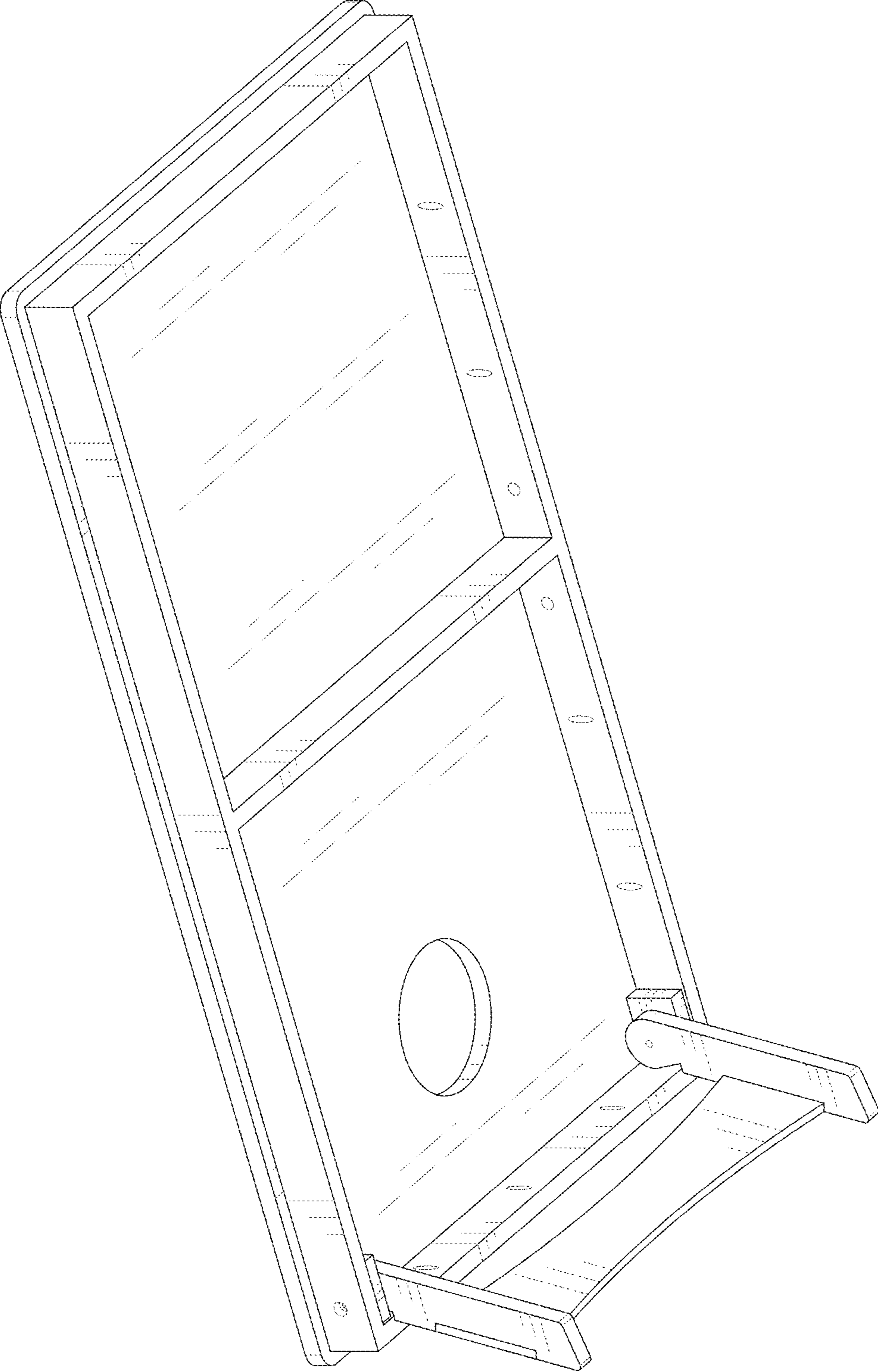


FIG. 3

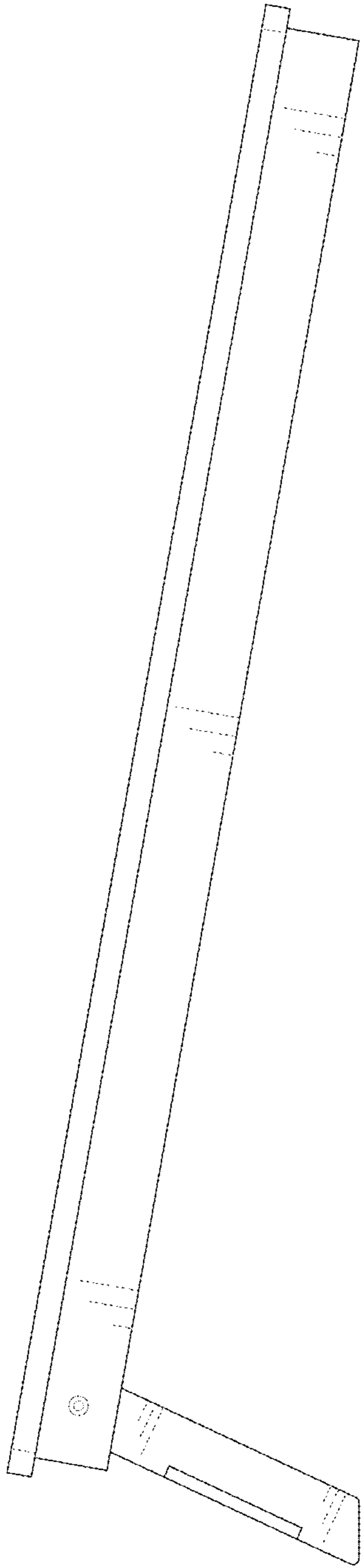


FIG. 4

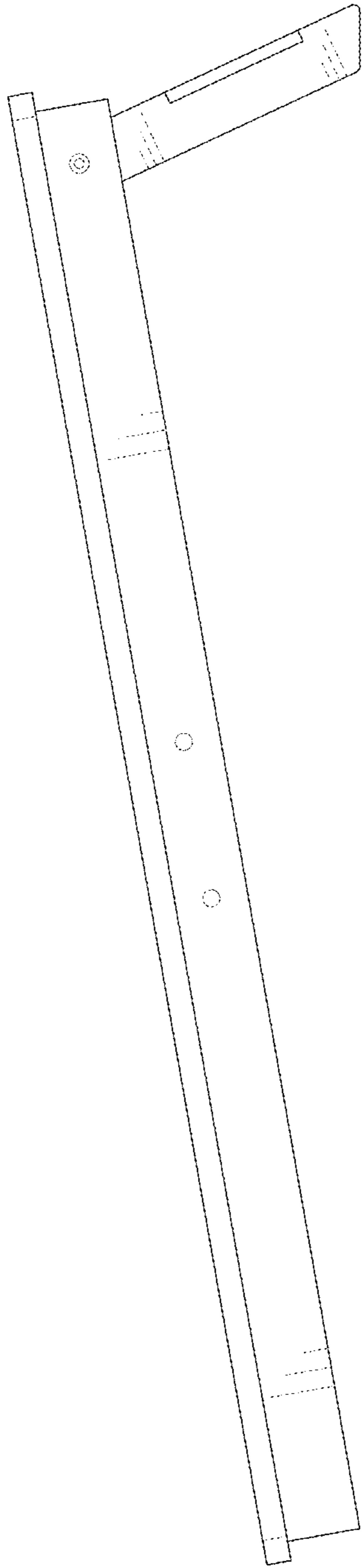


FIG. 5

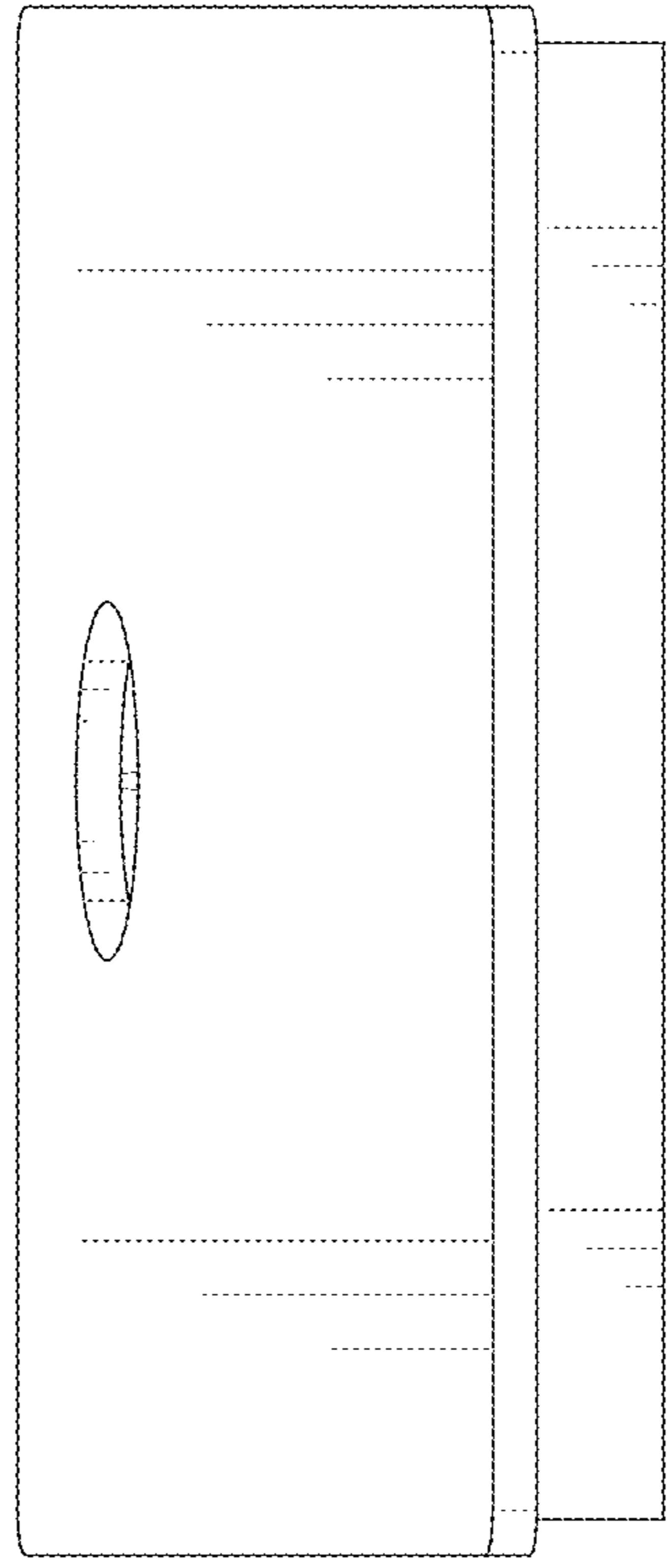


FIG. 6

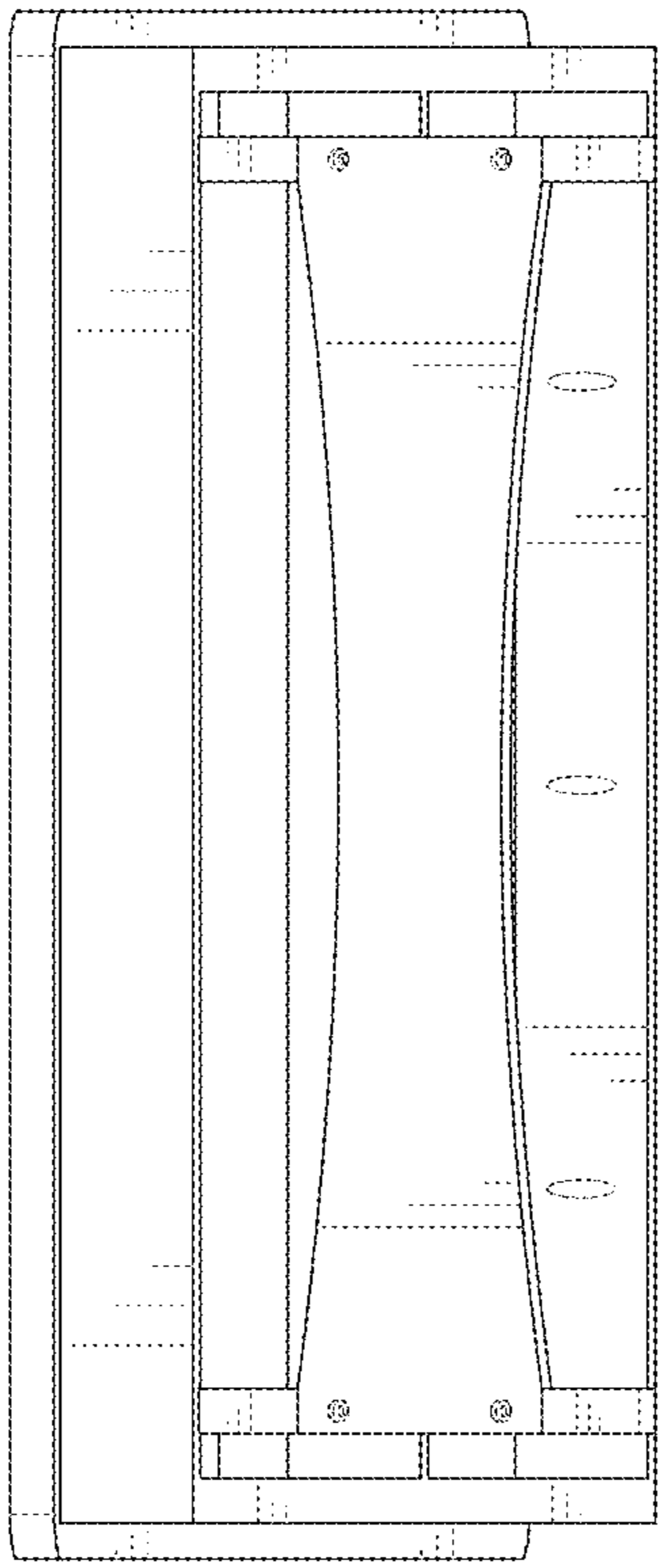


FIG. 7

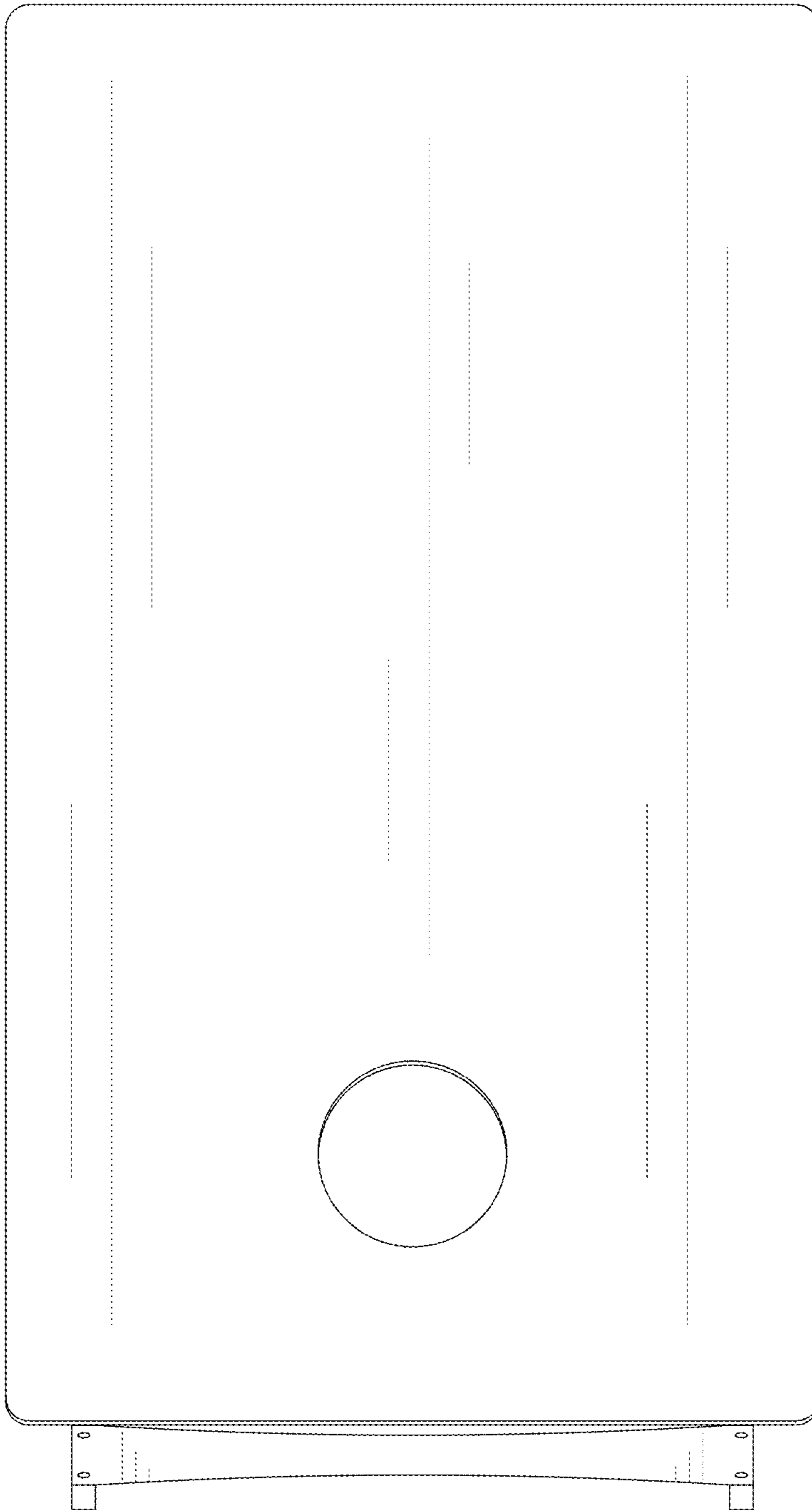


FIG. 8

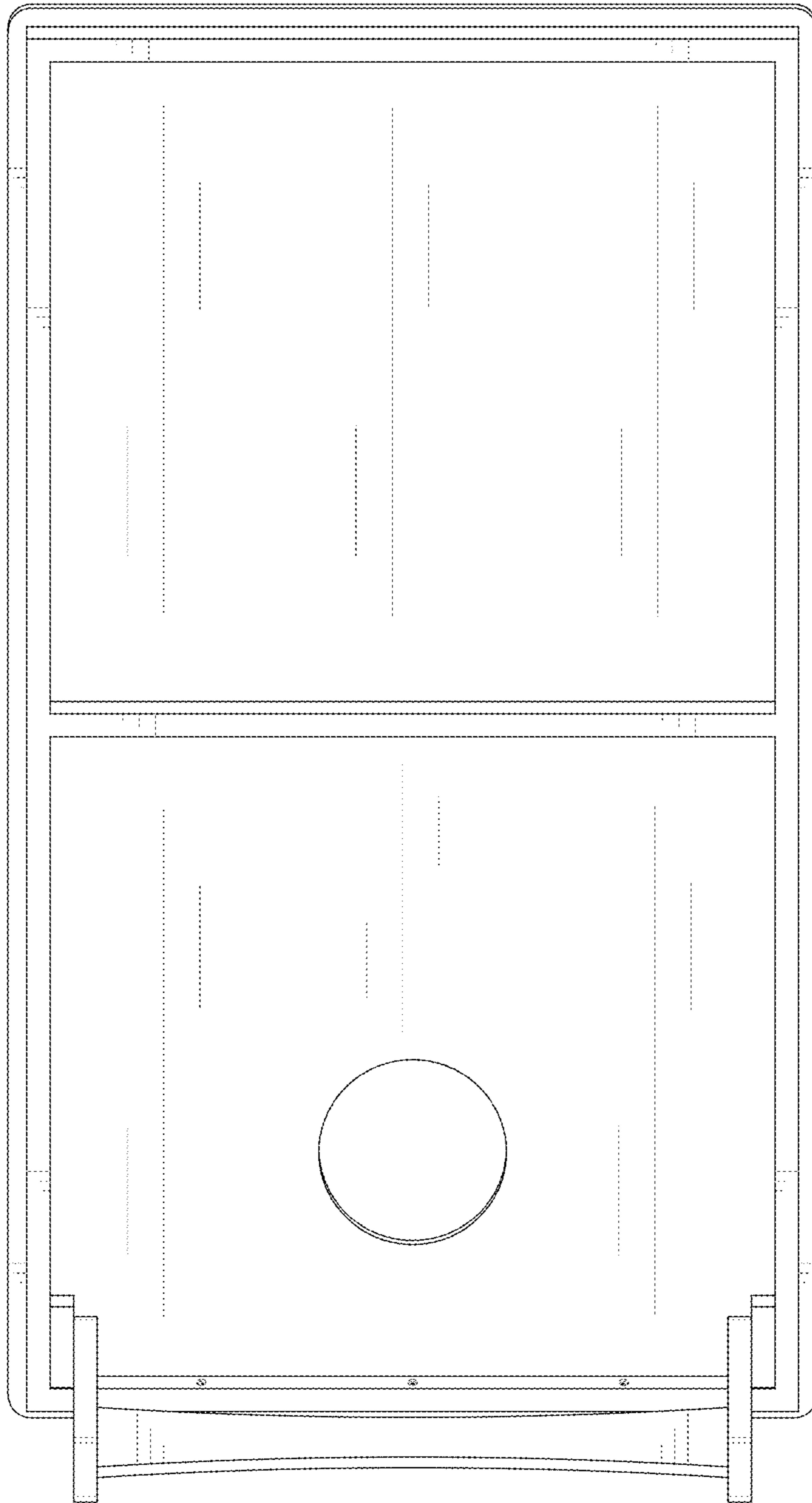


FIG. 9

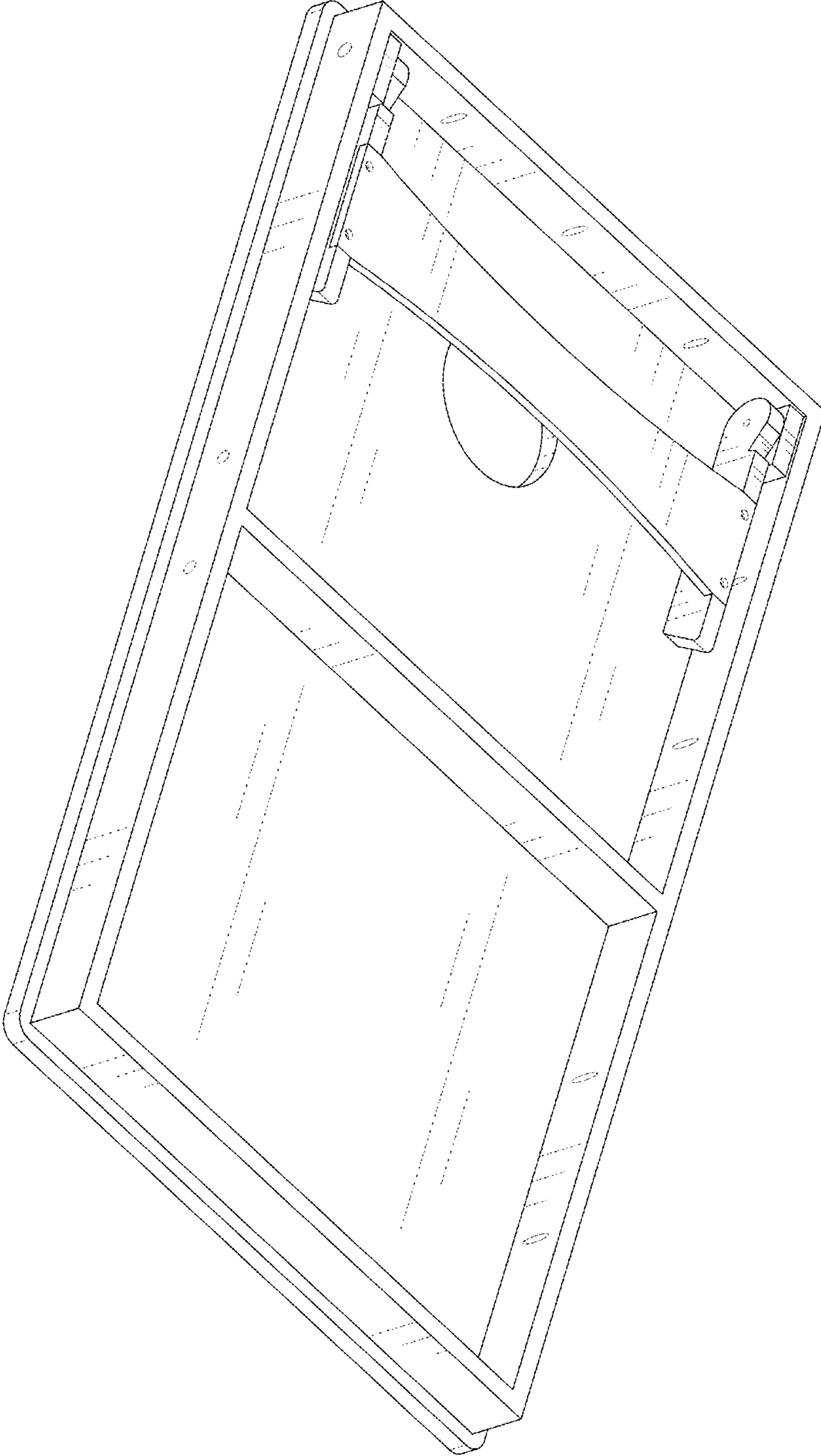


FIG. 10