



US00D966414S

(12) **United States Design Patent**  
**Xin**

(10) **Patent No.:** **US D966,414 S**

(45) **Date of Patent:** **\*\* Oct. 11, 2022**

- (54) **INFLATABLE CORNHOLE**
- (71) Applicant: **Fly Eagle (Weihai)Sports Goods Co., Ltd., Weihai (CN)**
- (72) Inventor: **Xiaoye Xin, Weihai (CN)**
- (\*\*) Term: **15 Years**
- (21) Appl. No.: **29/814,367**
- (22) Filed: **Nov. 5, 2021**
- (51) **LOC (13) Cl.** ..... **21-01**
- (52) **U.S. Cl.**  
USPC ..... **D21/303**
- (58) **Field of Classification Search**  
USPC ..... D21/303, 301, 302, 304, 300, 334, 336, D21/341, 342, 343, 319, 789, 790, 791, D21/792, 397, 312, 322, 699, 705; 273/398-404, 343, 317, 336, 348, 407, 273/408, 410, 108, 287, 331, 236, 118 R, 273/123 R, 127 R, 120 R, 127 B, 395, 273/396, 245; 473/180, 175, 179, 182, 473/185, 187, 569, 592; D6/392, 718, D6/596; 5/110-114, 120-123, 89.1, 5/127-130, 625, 627, 655, 630-634; 116/222  
CPC ..... A63B 63/00; A63B 63/003; A63B 63/08; A63B 67/00; A63B 67/02; A63B 67/06; A63B 67/066; A63B 2063/001; A63B 2063/002; A63B 2067/065; A63B 2067/063; A63B 2067/061; A63B 2208/12; A63B 71/00; A63B 2210/50; A63B 2024/0046; A63B 69/3661; A63B 69/0097; A63B 2225/62; A63B 2225/68; A63F 7/386  
See application file for complete search history.

- 4,961,586 A \* 10/1990 Conville ..... A63F 9/02 273/402
  - 5,007,644 A \* 4/1991 Bluthardt ..... A63B 67/02 473/157
  - 5,056,796 A \* 10/1991 Conville ..... A63B 67/06 273/402
  - D340,082 S \* 10/1993 DeLapa ..... D21/303
  - D375,530 S \* 11/1996 Rudd ..... D21/303
  - D407,575 S \* 4/1999 Meoli, Jr. .... D6/392
  - 5,909,877 A \* 6/1999 Bour ..... A63F 9/0204 273/402
  - D486,876 S \* 2/2004 Wilbanks ..... D21/809
  - D528,182 S \* 9/2006 Rominger ..... D21/809
  - D530,135 S 10/2006 Lau
- (Continued)

Primary Examiner — Susan Moon Lee  
(74) Attorney, Agent, or Firm — Rमित Ranjit Kanakia

(57) **CLAIM**

The ornamental design for an inflatable cornhole, as shown and described.

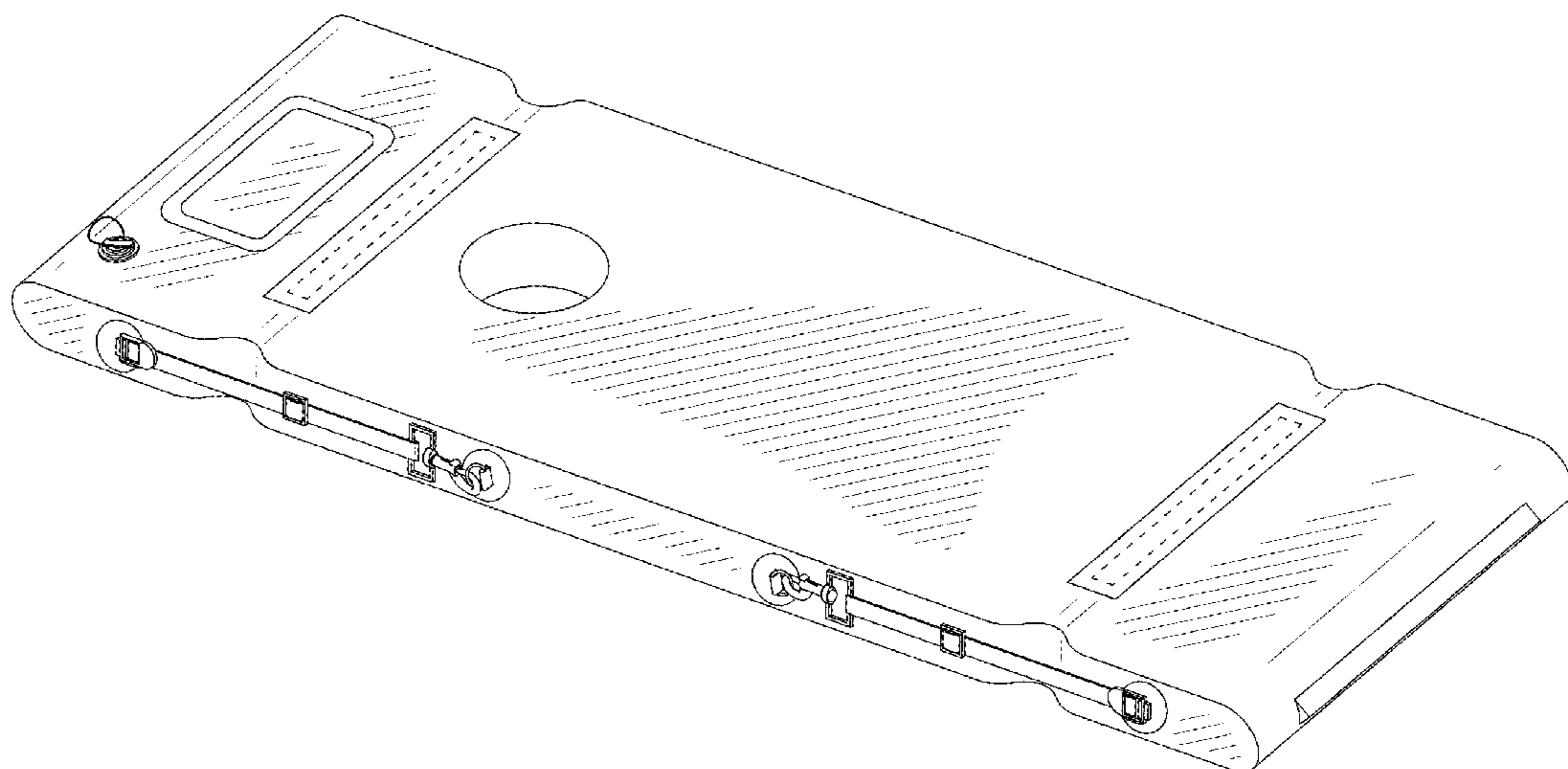
**DESCRIPTION**

FIG. 1 is a front perspective view of an inflatable cornhole showing my new design;  
 FIG. 2 is a front view thereof;  
 FIG. 3 is a back view thereof;  
 FIG. 4 is a right-side view thereof;  
 FIG. 5 is a left-side view thereof;  
 FIG. 6 is a top view thereof;  
 FIG. 7 is a bottom view thereof;  
 FIG. 8 is a front view of the inflatable cornhole shown in a first position of use;  
 FIG. 9 is a front view of the inflatable cornhole shown in a second position of use; and,  
 FIG. 10 is a top view of the inflatable cornhole shown in a deflated fold configuration.  
 The broken lines in the drawings depict stitching and form no part of the claimed design.

**1 Claim, 8 Drawing Sheets**

(56) **References Cited**  
U.S. PATENT DOCUMENTS

- D221,697 S \* 8/1971 Nickolson ..... D12/307
- D306,474 S \* 3/1990 Scheurer ..... D6/382



(56)

References Cited

U.S. PATENT DOCUMENTS

7,313,835 B1 *	1/2008	Hodges	.....	A47C 17/645	5/187				
7,607,666 B1 *	10/2009	Studier	.....	A63B 63/00	116/222				
7,850,534 B2 *	12/2010	Smith	.....	A63D 15/00	473/4				
D635,197 S *	3/2011	Pryor	.....	D21/303					
D639,597 S *	6/2011	Weaver	.....	D6/601					
8,127,689 B2 *	3/2012	Christian	.....	A63B 67/002	108/11				
8,157,265 B2 *	4/2012	Conville	.....	A63B 67/06	273/402				
8,162,318 B1 *	4/2012	Peterson	.....	A63B 67/06	273/343				
8,465,022 B2 *	6/2013	Weiss	.....	A63F 3/00028	273/277				
D706,353 S	6/2014	Montenare							
D706,354 S	6/2014	Montenare							
D726,830 S *	4/2015	Olden	.....	D21/303					
D741,951 S *	10/2015	Angel	.....	D21/303					
9,192,841 B1 *	11/2015	Montgomery	.....	A63B 69/3623					
D748,198 S	1/2016	Nally							
9,381,414 B1 *	7/2016	Gatton	.....	A63B 63/08					
D766,011 S *	9/2016	Logan	.....	D6/596					
D806,171 S *	12/2017	Nally	.....	A63B 67/06	D21/303				
D807,963 S *	1/2018	Zandonella	.....	D21/303					
D827,031 S *	8/2018	Valladares	.....	D21/303					
D860,325 S *	9/2019	Ding	.....	D21/303					
D867,785 S	11/2019	Winborne							
10,835,794 B1 *	11/2020	McMahon	.....	G01B 5/14					
D910,757 S *	2/2021	Green	.....	D21/303					
D923,095 S *	6/2021	Drane	.....	D21/301					
11,090,540 B2 *	8/2021	Voss	.....	A63B 67/06					
11,148,028 B2 *	10/2021	Simmons	.....	A63B 71/0036					
D954,827 S *	6/2022	Good	.....	D21/303					
D955,482 S *	6/2022	Turner	.....	D21/303					
11,351,431 B2 *	6/2022	Falck	.....	A63B 67/007					
2007/0080499 A1 *	4/2007	Greiwe	.....	A63B 67/06	273/400				
2010/0317470 A1 *	12/2010	Cea	.....	A63B 67/06	473/570				
2012/0235356 A1 *	9/2012	Weiss	.....	A63F 1/04	273/398				
2013/0026713 A1 *	1/2013	Angel	.....	A63B 63/08	273/398				
2013/0082442 A1 *	4/2013	Hanel	.....	A63B 67/06	273/398				
2014/0091526 A1 *	4/2014	Nally	.....	A63B 63/08	273/402				
2014/0151963 A1 *	6/2014	Bennett	.....	A63B 71/0036	29/890.035				
2015/0054221 A1 *	2/2015	Sandman	.....	A63B 60/16	273/402				
2016/0008689 A1 *	1/2016	Janeri	.....	A47C 4/08	273/402				
2016/0166068 A1 *	6/2016	Holzhauser	.....	A63B 67/06	297/16.1				
2017/0014704 A1 *	1/2017	Bell	.....	A63F 9/0278					
2017/0138586 A1 *	5/2017	Finch	.....	F21V 33/008					
2017/0340937 A1 *	11/2017	Poetter	.....	A63B 67/06					
2018/0001171 A1 *	1/2018	Zavracky	.....	A63B 67/007					
2018/0056155 A1 *	3/2018	McAuley	.....	A63B 69/3623					
2018/0085649 A1 *	3/2018	O'Neill	.....	A63B 67/06					
2019/0335703 A1 *	11/2019	Prade	.....	B60R 7/00					
2021/0038958 A1 *	2/2021	Kowtko	.....	A63B 63/08					
2021/0060399 A1 *	3/2021	Dingel	.....	A63B 67/06					
2021/0308550 A1 *	10/2021	Li	.....	A63B 71/0622					

\* cited by examiner

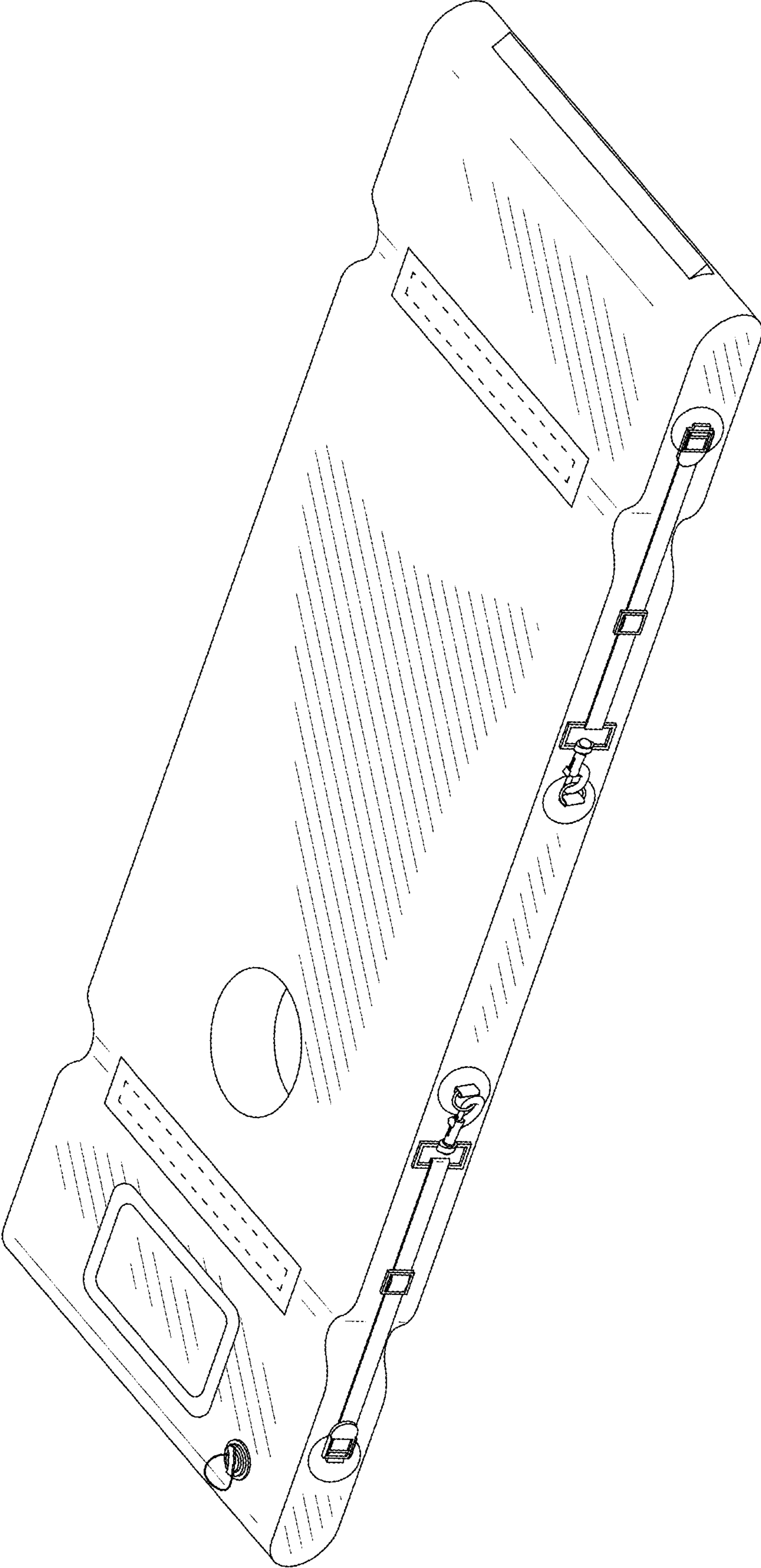


FIG. 1

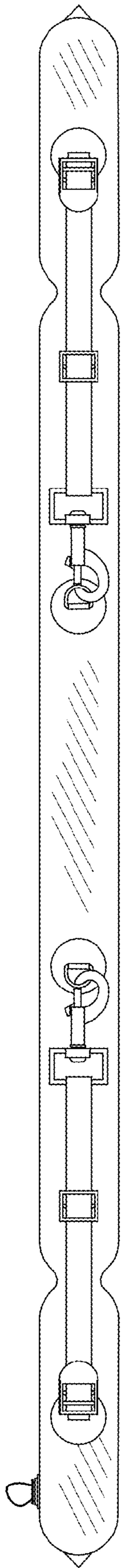


FIG. 2

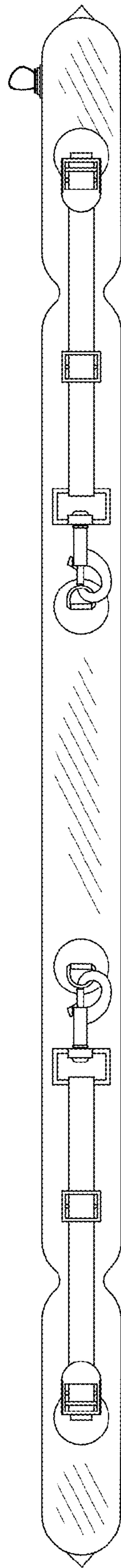


FIG. 3



FIG. 4

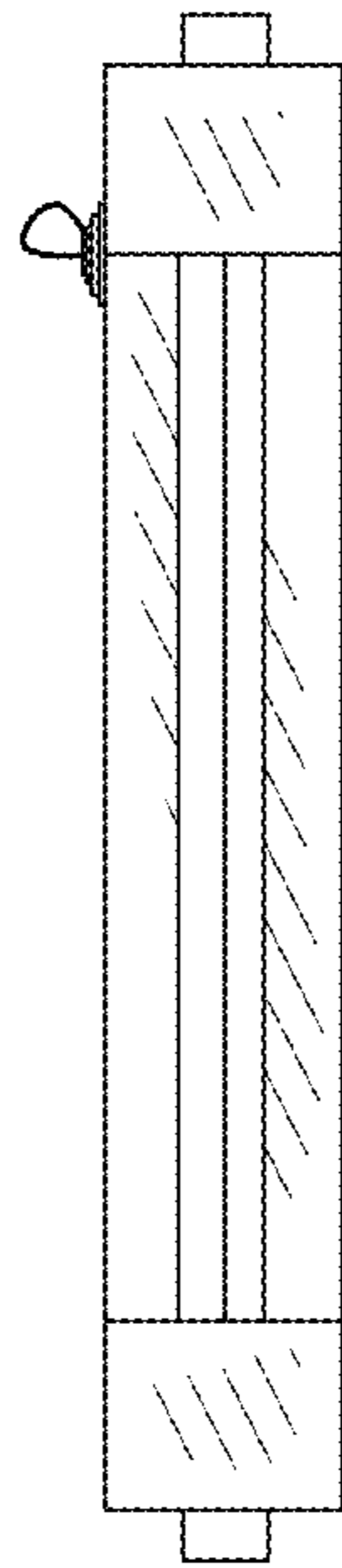


FIG. 5

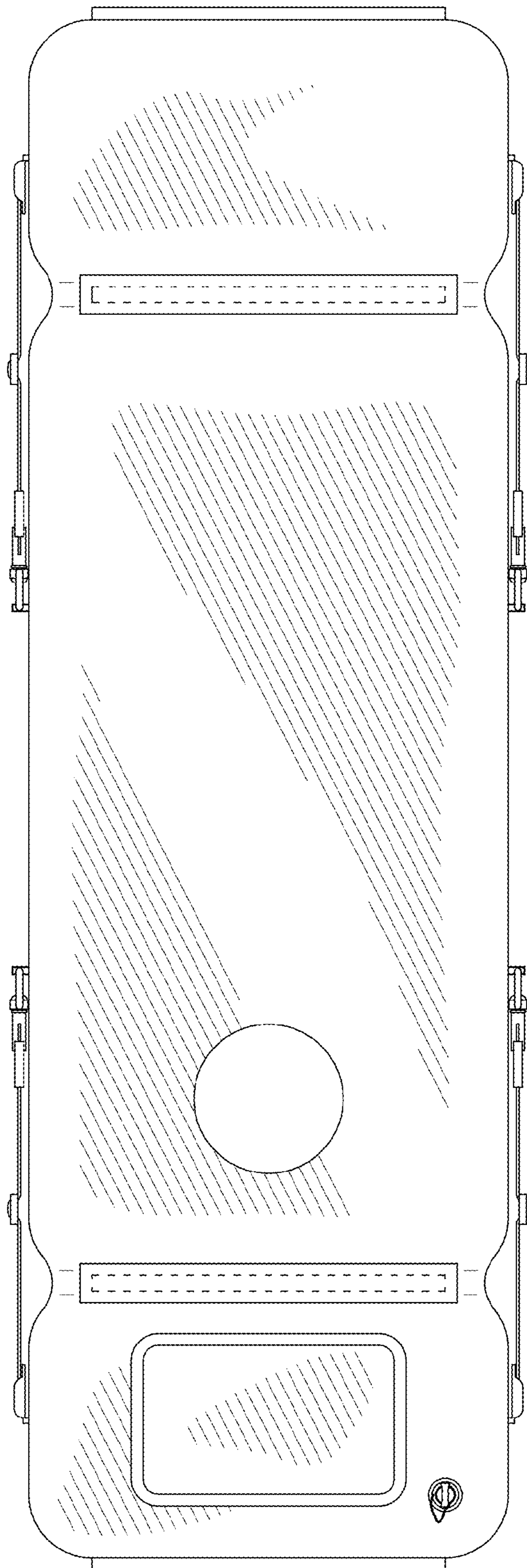


FIG. 6

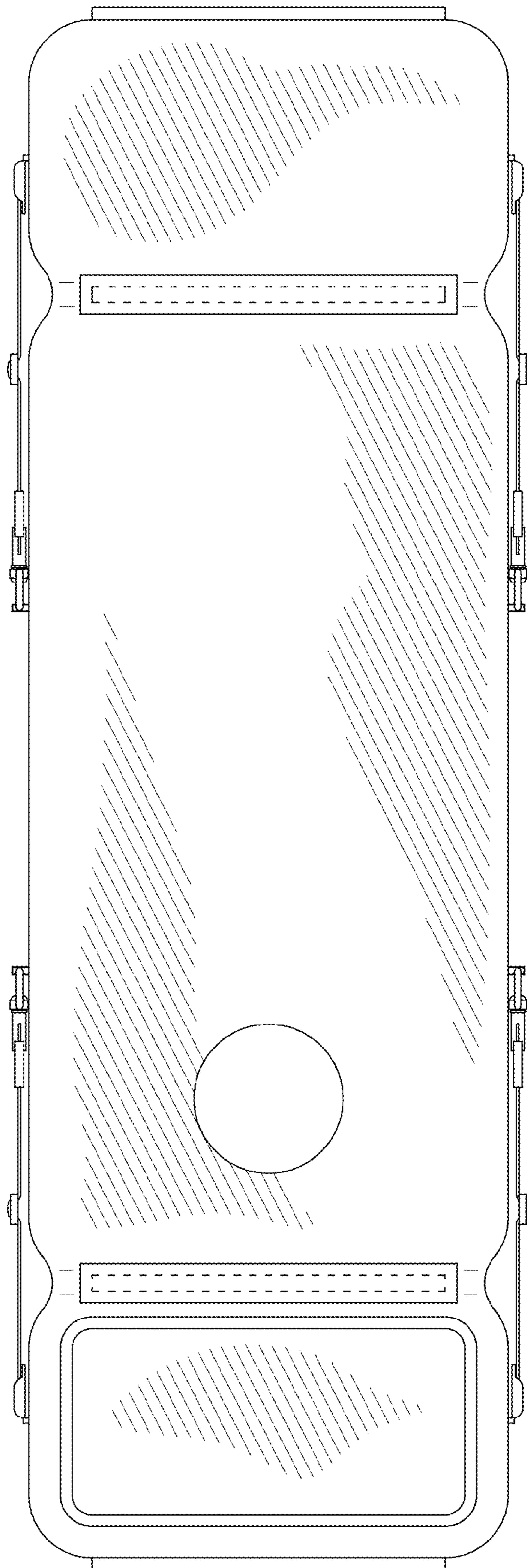


FIG. 7

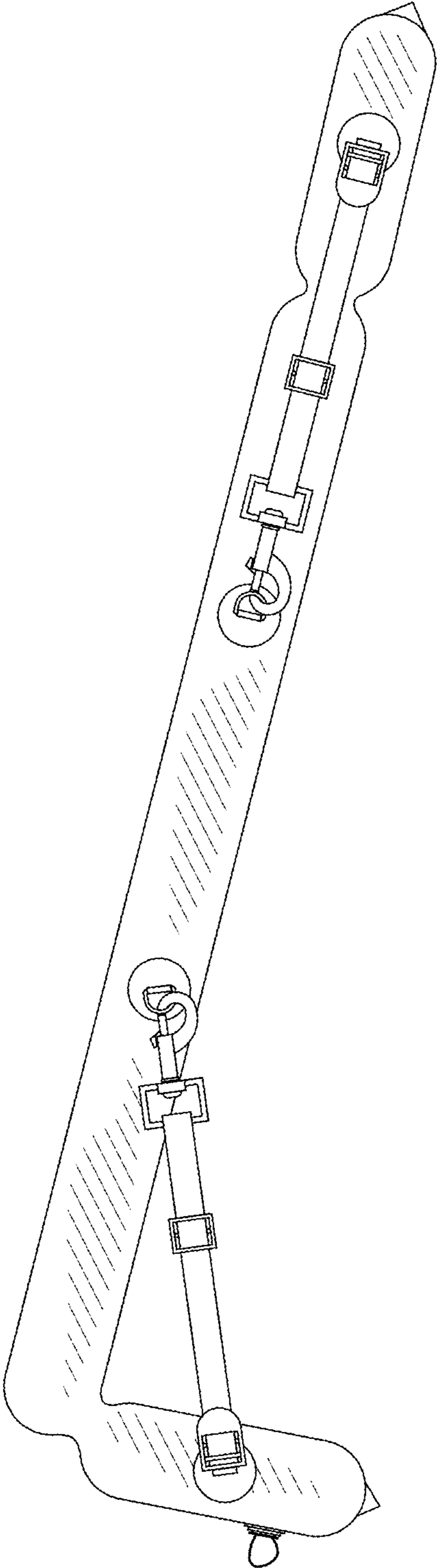


FIG. 8



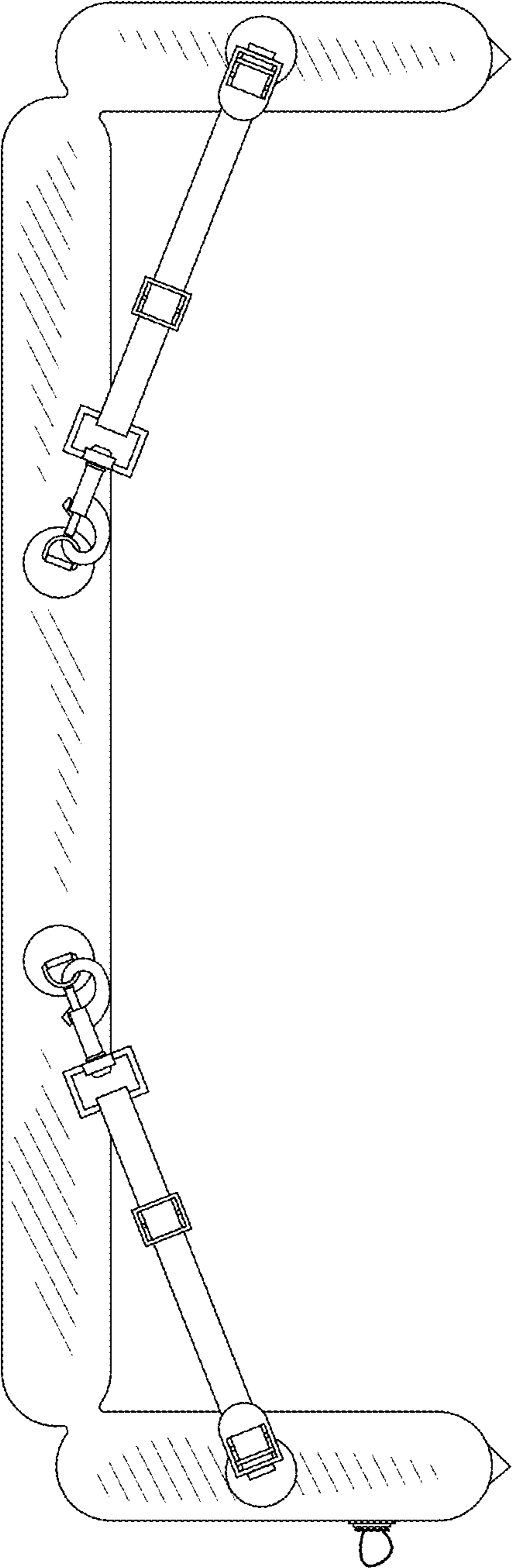


FIG. 9

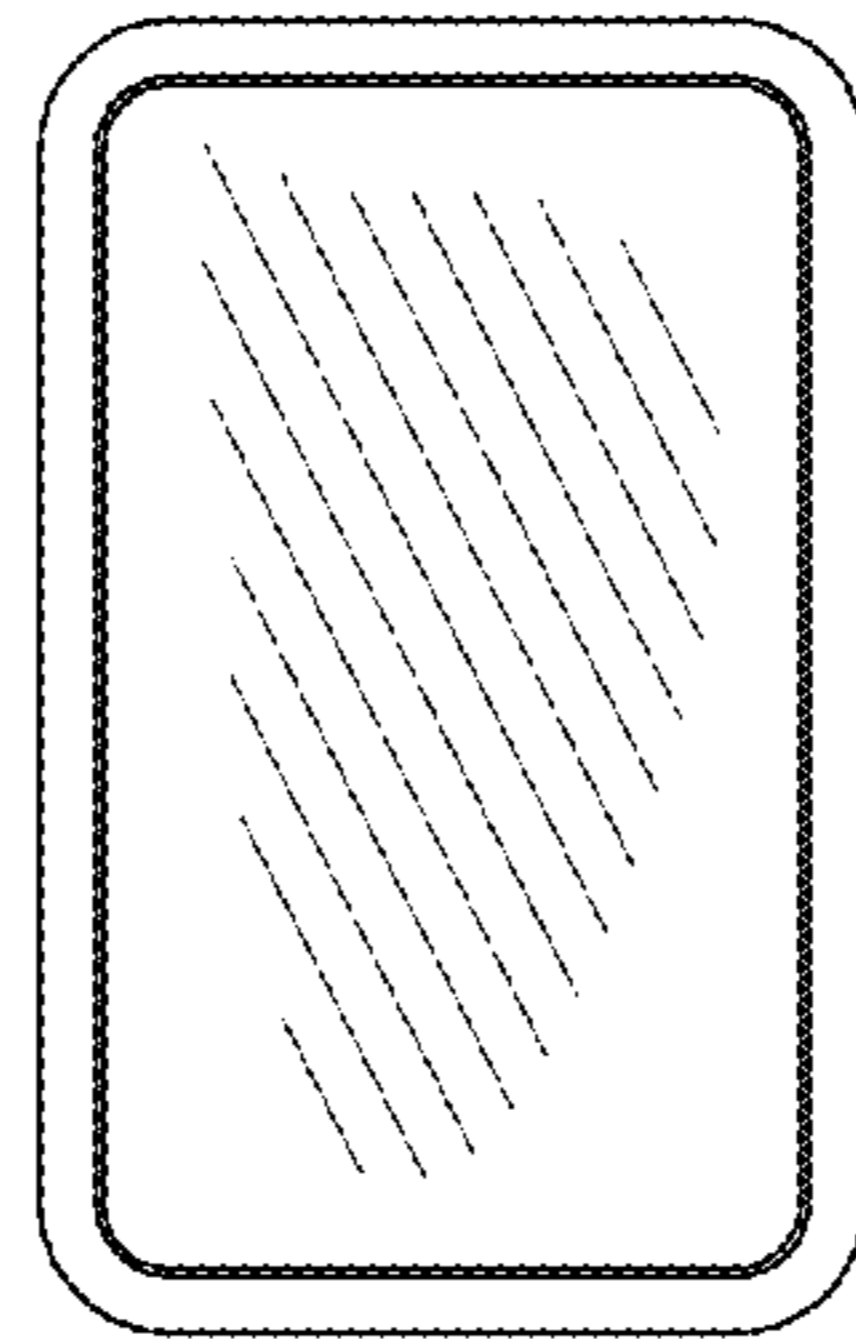


FIG. 10